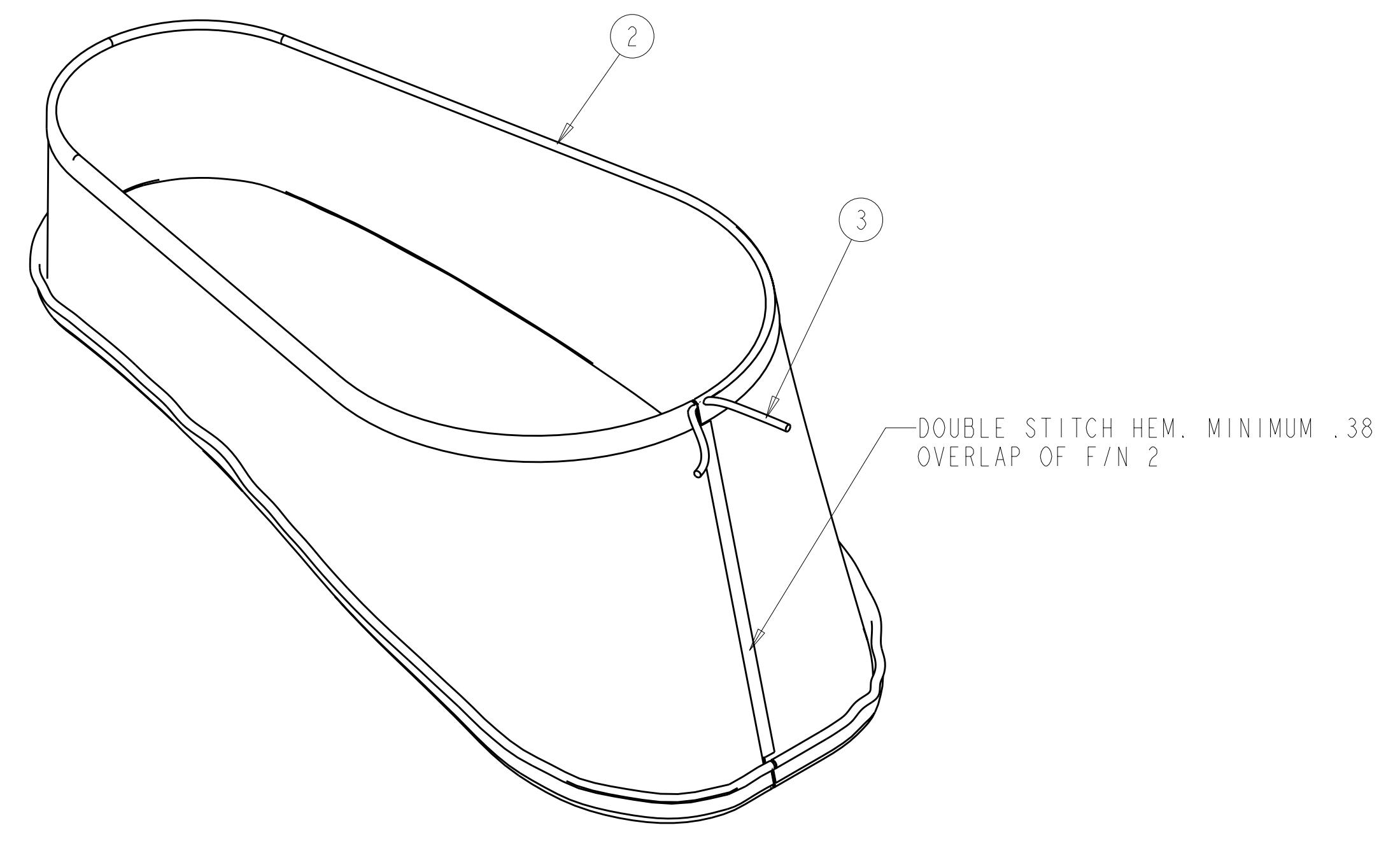
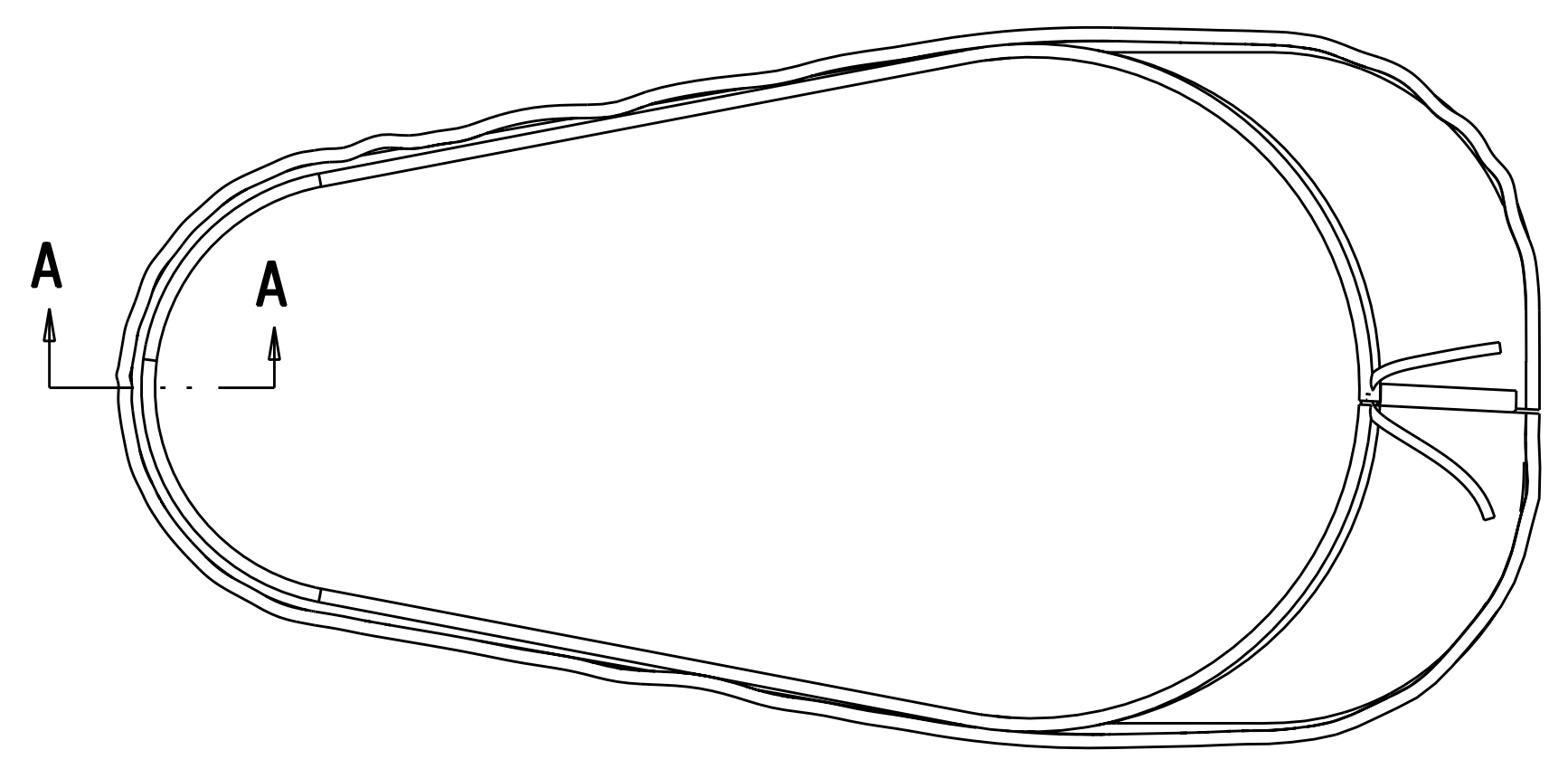
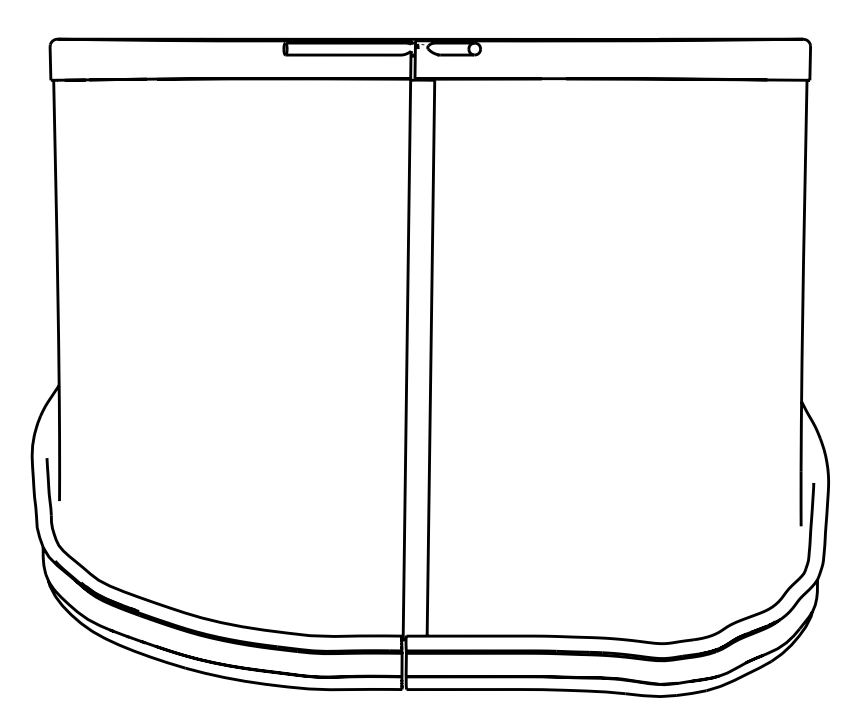
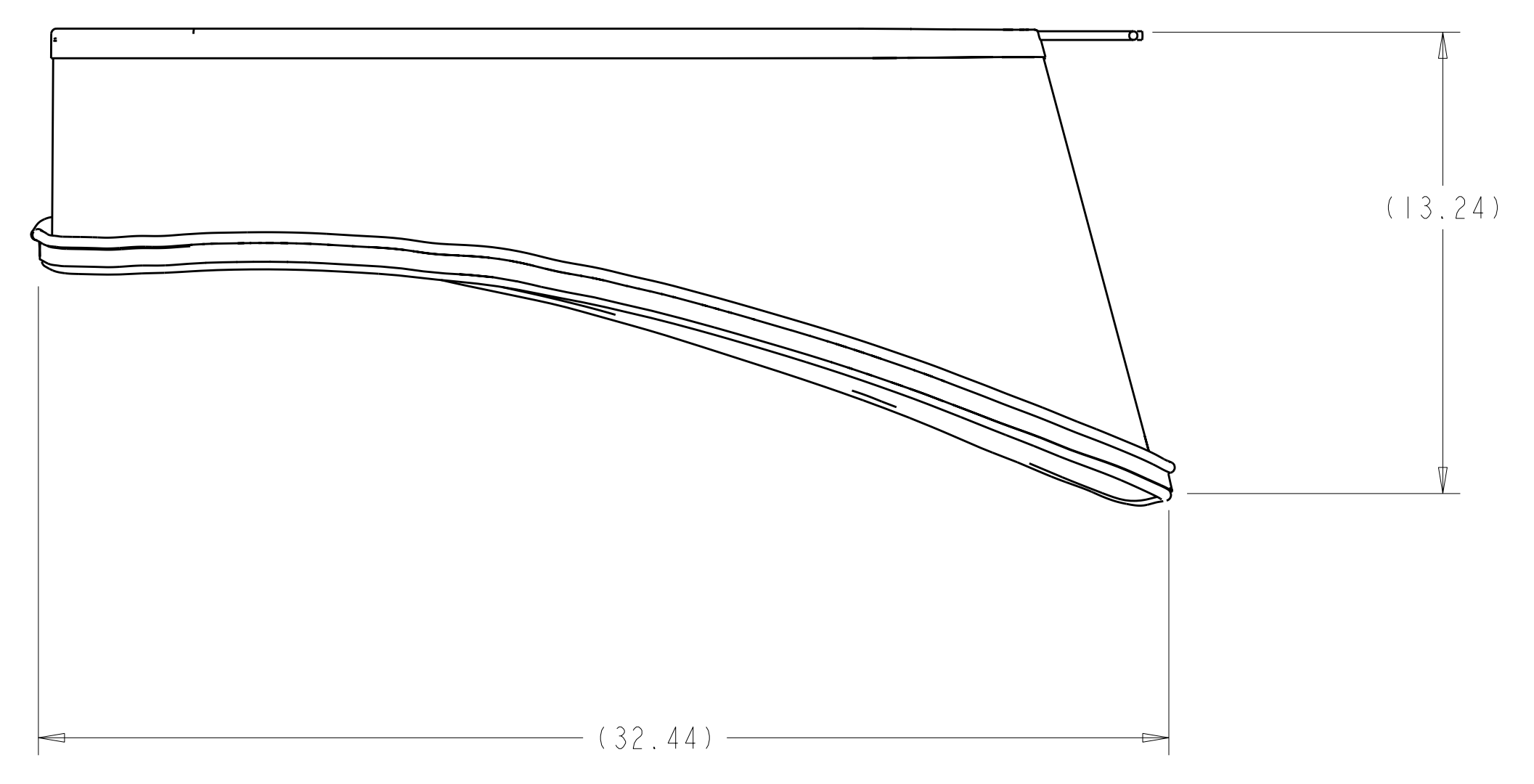


- NOTES
1. DRAWING PREPARED IN ACCORDANCE WITH ASME Y14.100-2004.
  2. INTERPRET DIMENSIONS AND TOLERANCES PER ASME Y14.5M-1994.
  3. DIMENSIONS ARE IN INCHES
  4. FLAT PATTERN TO BE CREATED FROM FULL SIZE PLOT.

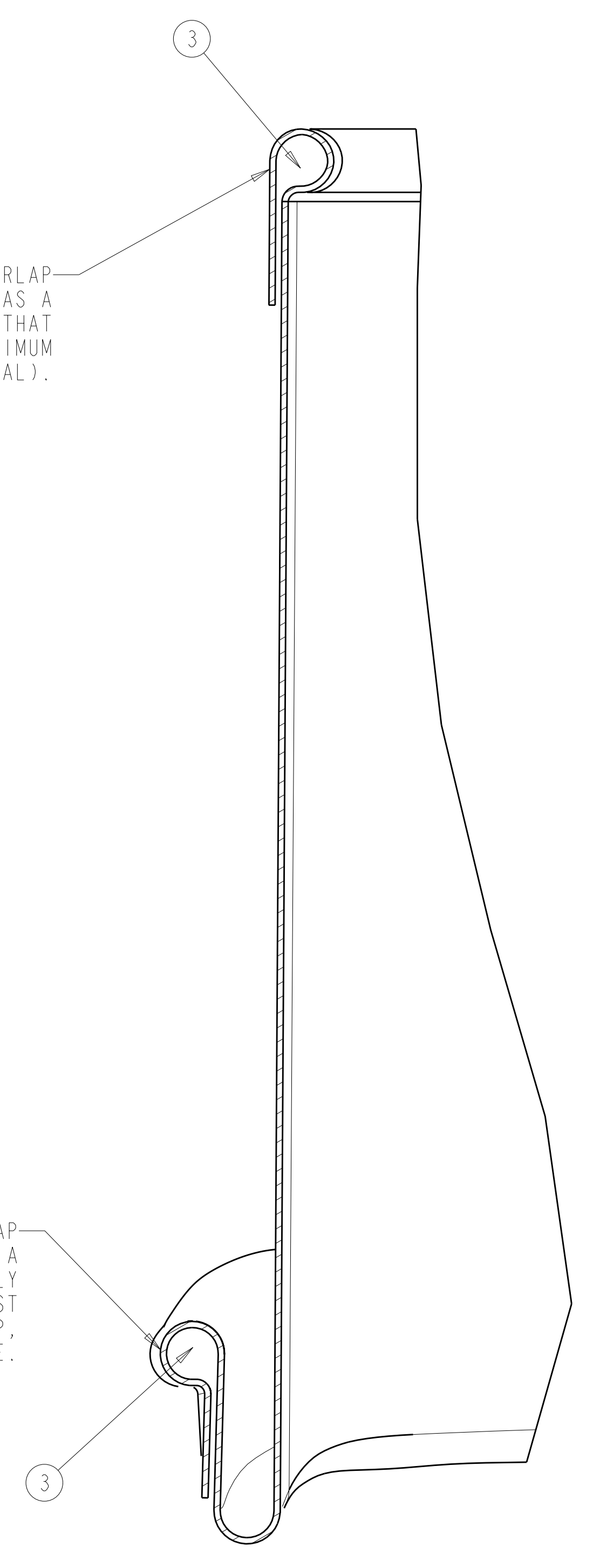


ISOMETRIC VIEW

F/N 2 - DOUBLE STITCH HEM WITH MINIMUM .38 OVERLAP ENCLOSE WITHIN HEM  $\varnothing$ .25 ROPE, F/N 3, TO ACT AS A DRAW STRING. PROVIDE HOLE THRU THE HEM SO THAT THE ENDS OF THE DRAW STRING EXTEND A MINIMUM OF 6" PER LEAD (12" TOTAL).



F/N 2 - DOUBLE STITCH HEM WITH MINIMUM .38 OVERLAP ENCLOSE WITHIN HEM  $\varnothing$ .25 ROPE, F/N 3, TO ACT AS A GASKET. THE ENDS OF THE ROPE MUST BE COMPLETELY ENCLOSED WITHIN THE HEM. THE ENDS OF THE ROPE MUST TOUCH WITHIN THE HEM BUT MAY NOT OVERLAP, CREATING A BULGE.



SECTION A-A  
SCALE 2.00

**-1 PORT 12 SEAL BOOT ASSEMBLY**  
SCALE .25

REV	DESCRIPTION	BY	DATE	CHK	DEPT	DATE	PE	REQ	DATE	ORNL	DOE	DATE
0	ORIGINAL ISSUE	GM	01/07	SP		01/07						
1												

CAGE CODE	PART OR IDENTIFYING NO	NOMENCLATURE OR DESCRIPTION	MATERIAL	SPECIFICATION	FIND NO
AR	-3	$\varnothing$ .25 ROPE		NCSX-PRL-12-001	3
4	1	PORT 12 SEAL BOOT CONE		NCSX-PRL-12-001	2
AR	-1	PORT 12 SEAL BOOT ASSEMBLY			1

← NEXT ASSEMBLY

PARTS LIST

NO REPRESENTATION OR WARRANTY, EXPRESSED OR IMPLIED, IS MADE AS TO THE ACCURACY, COMPLETENESS OR USEFULNESS OF THE INFORMATION OR STATEMENTS CONTAINED IN THESE DRAWINGS, OR THAT THE USE OR DISCLOSURE OF ANY INFORMATION, APPARATUS, METHOD OR PROCESS DISCLOSED IN THESE DRAWINGS MAY NOT INFRINGE PRIVATE RIGHTS OF OTHERS. NO LIABILITY IS ASSUMED WITH RESPECT TO THE USE OF, OR FOR DAMAGES RESULTING FROM THE USE OF, ANY INFORMATION, APPARATUS, METHOD OR PROCESS DISCLOSED IN THESE DRAWINGS. DRAWINGS MADE AVAILABLE FOR PURPOSES, AND ARE TO BE RETURNED UPON REQUEST OF THE FORWARDING CONTRACTOR.

**P** THIS DRAWING PRODUCED ON PRO-ENGINEER

SCALE NOTED		DES PL GORANSON 01/07	Oak Ridge National Laboratory managed for the DEPARTMENT OF ENERGY under U.S. GOVERNMENT contract DE-AC05-00OR22725 UT-BATTELLE, LLC. Oak Ridge, Tennessee	
TOLERANCES UNLESS OTHERWISE SPECIFIED		DRW G MCGINNIS 01/07	<b>UT-BATTELLE</b>	
FRACTIONS ± .01		CHK S. PARSON 01/07	PROJECT NAME <b>NATIONAL COMPACT STELLARATOR EXPERIMENT</b>	
XX DECIMALS ± .01		DEPT :	TITLE <b>PORT 12 SEAL BOOT ASSEMBLY</b>	
XXX DECIMALS ± .005		FE :	VERSION NO. 5	
ANGLES ± 0'15"		CR :	PLANT ORNL	
BREAK SHARP EDGES OR MAX		PJ :	BLDG 5700	
FINISH ± .125 UNLESS OTHERWISE SPECIFIED		RD :	FL 3	
		PPPL DRFT J SIEGEL 01/07	SHT 1 OF 2	
			TYPE A	
			CLASS U	
			REV 0	
			RELEASE LEVEL WIP	
			SE122-405	

8

7

6

5

4

3

2

1

NEXT ASS'Y:

FINAL ASS'Y:

H

H

G

G

F

F

E

E

D

D

C

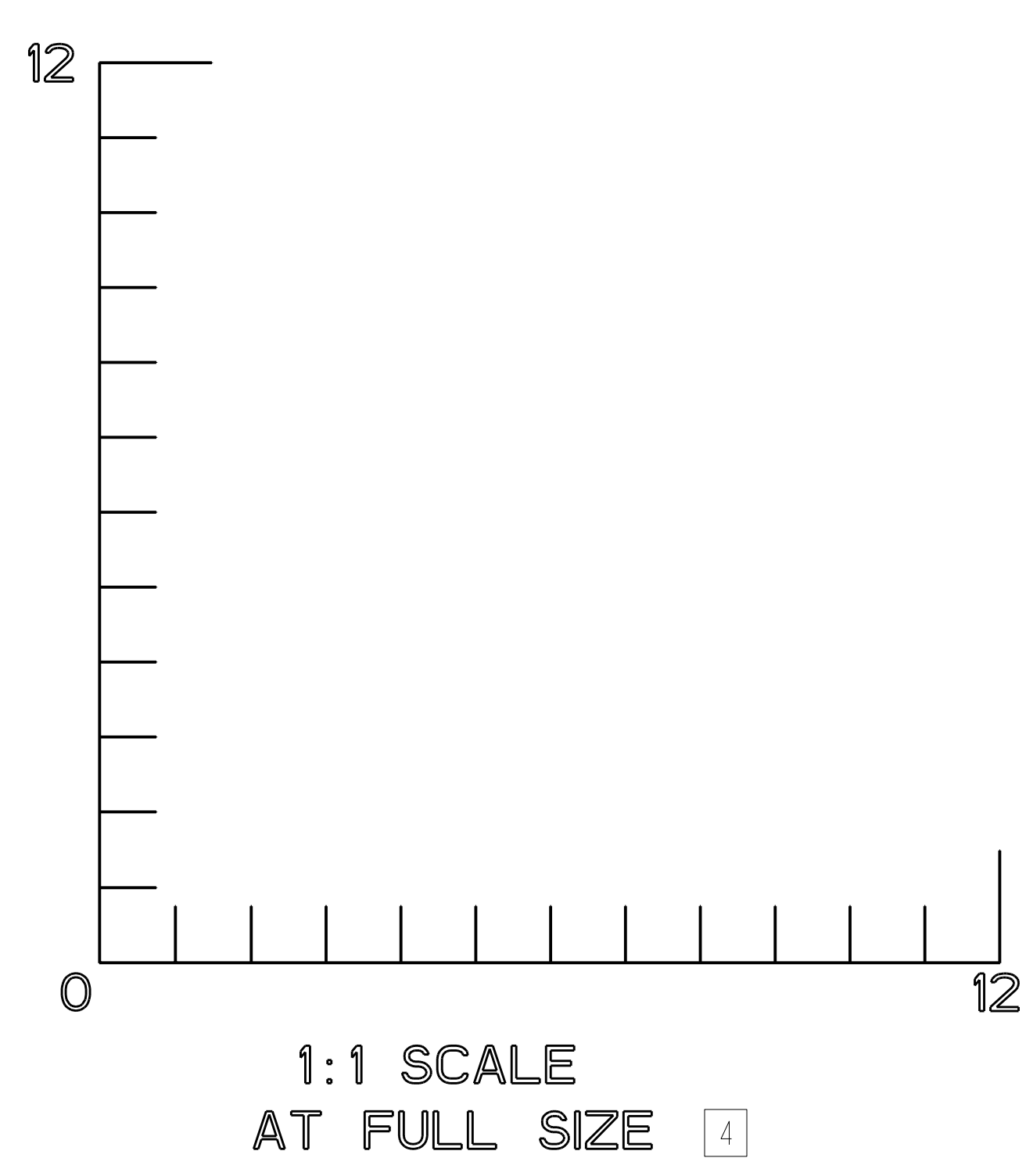
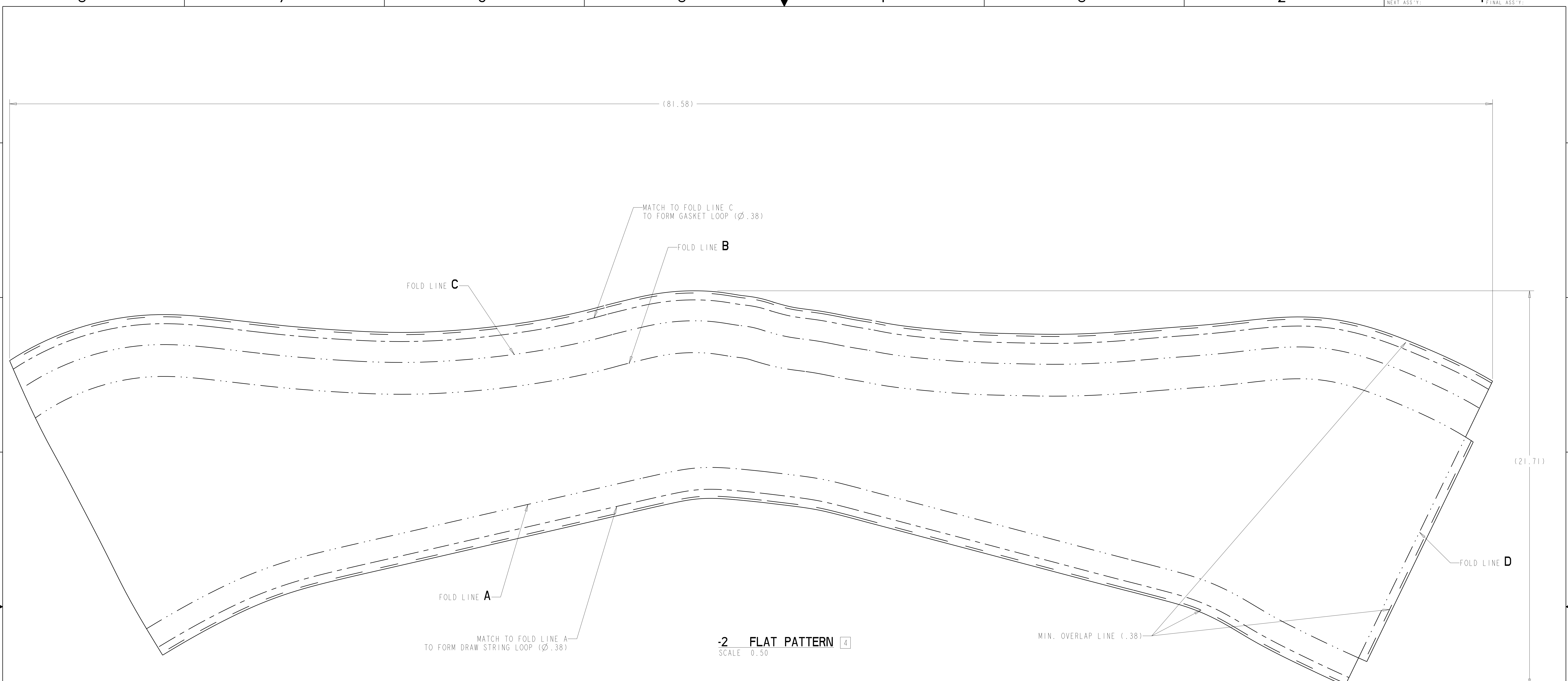
C

B

B

A

A



Oak Ridge National Laboratory managed for the DEPARTMENT OF ENERGY under U.S. GOVERNMENT contract DE-AC05-00OR22725 UT-BATTELLE, LLC, Oak Ridge, Tennessee PROJECT NAME:									
<b>UT-BATTELLE</b> <b>NATIONAL COMPACT STELLARATOR EXPERIMENT</b>									
<b>PORT 12 SEAL BOOT ASSEMBLY</b>									
VERSION NO.	PLANT	BLDG	FL	SHT	OF	TYPE	CLASS		
5	ORNL	5700	3	2	2	A	U		
RELEASE LEVEL		SE122-405						REV	
WIP								0	

SE122-405

8

7

6

5

4

3

2

1