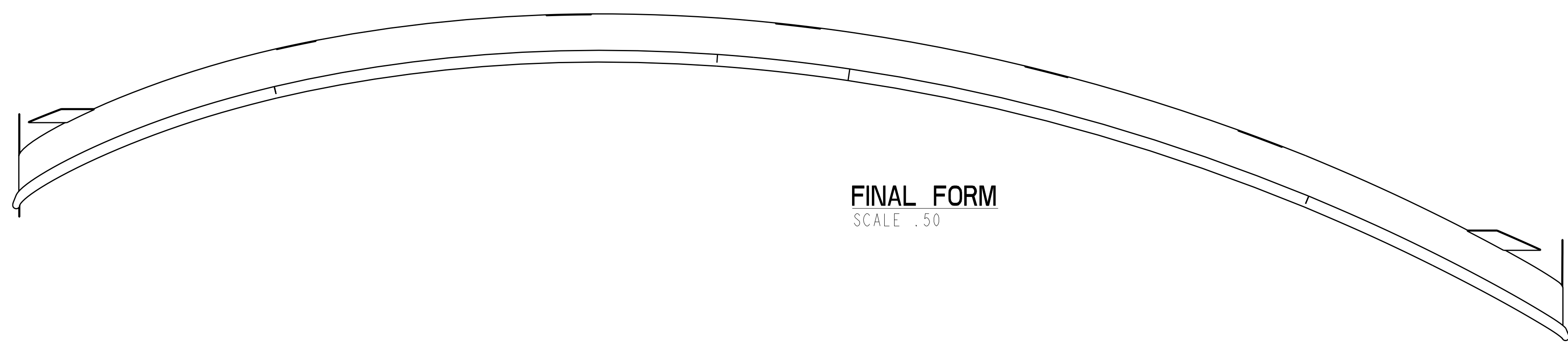
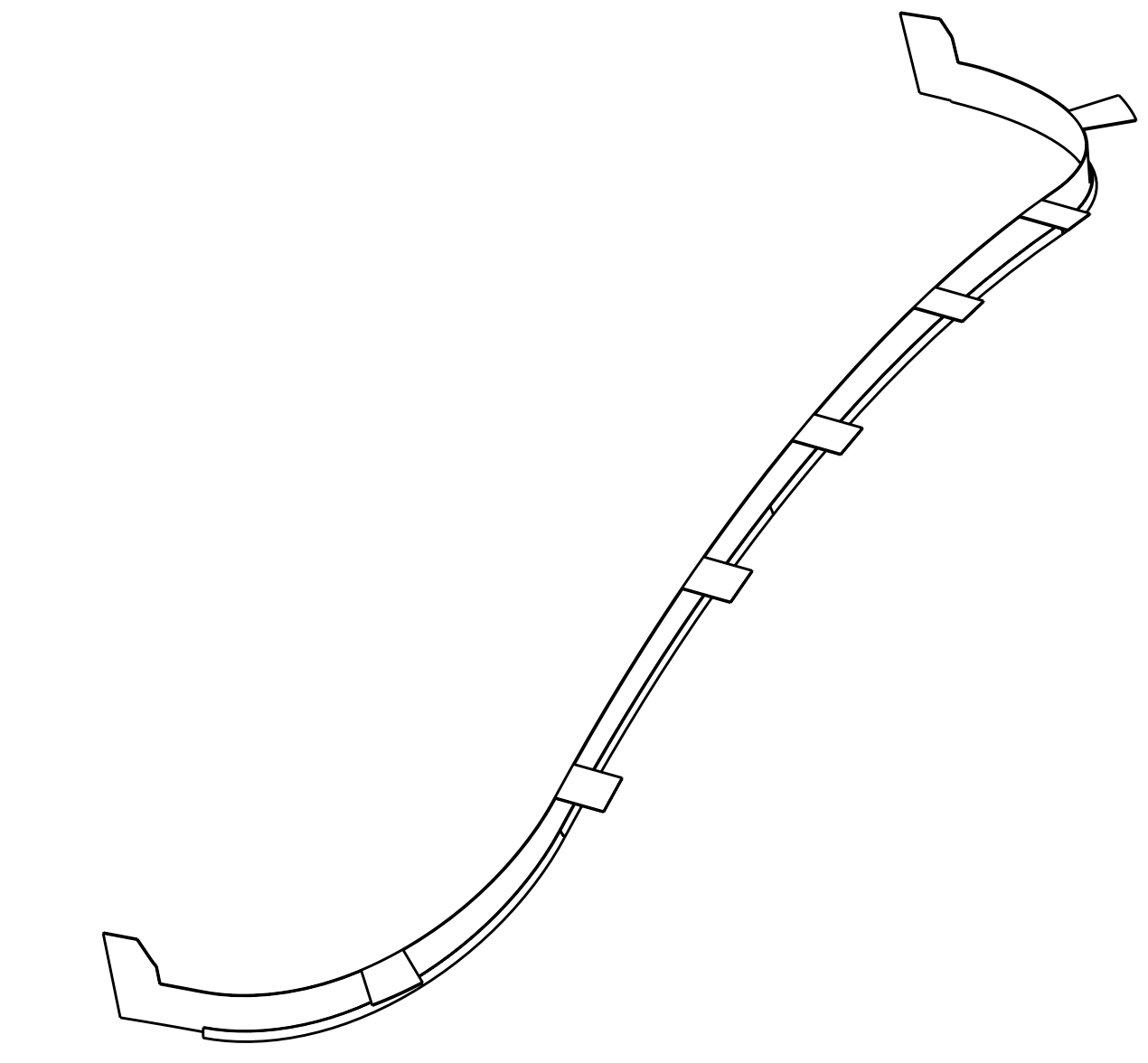
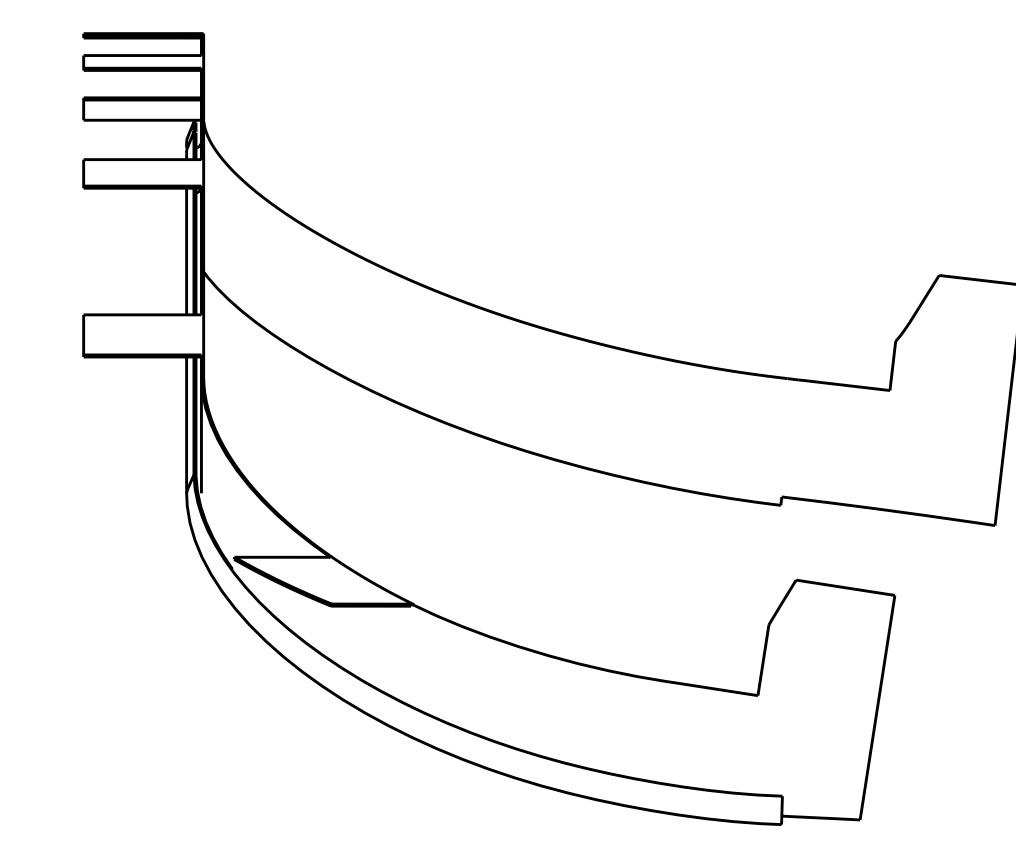


SECTION A-A
SCALE 4.00

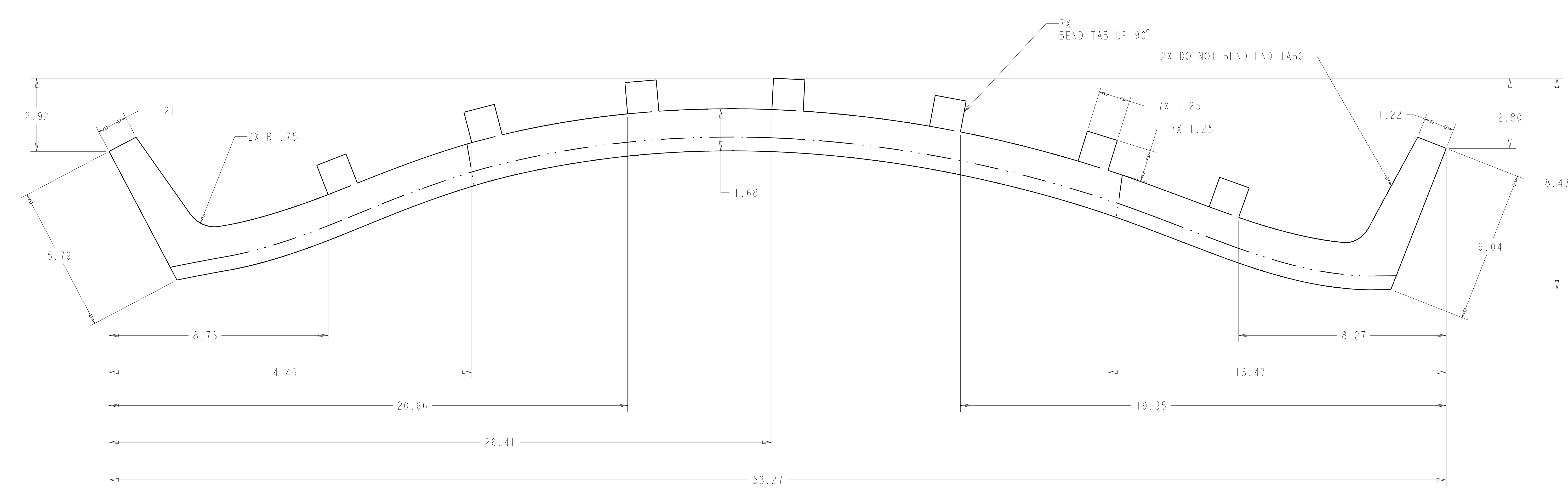
- NOTES
1. DRAWING PREPARED IN ACCORDANCE WITH ASME Y14.100-2004.
 2. INTERPRET DIMENSIONS AND TOLERANCES PER ASME Y14.5M-1994.
 3. DIMENSIONS ARE IN INCHES.
 4. FLAT PART TO BE MANUFACTURED FROM PRO/ENGINEER DATA FILE SE122-408-FLAT.PRT. DIMENSIONS SHOWN ARE FOR PART VERIFICATION ONLY.
 5. MAGNETIC PERMEABILITY NOT TO EXCEED 1.02 AS TESTED BY A SEVERN INDICATOR. AVAILABLE FROM: SEVERN ENGINEERING AUBURN, ALABAMA 36830 WWW.SEVERNENGINEERING.COM



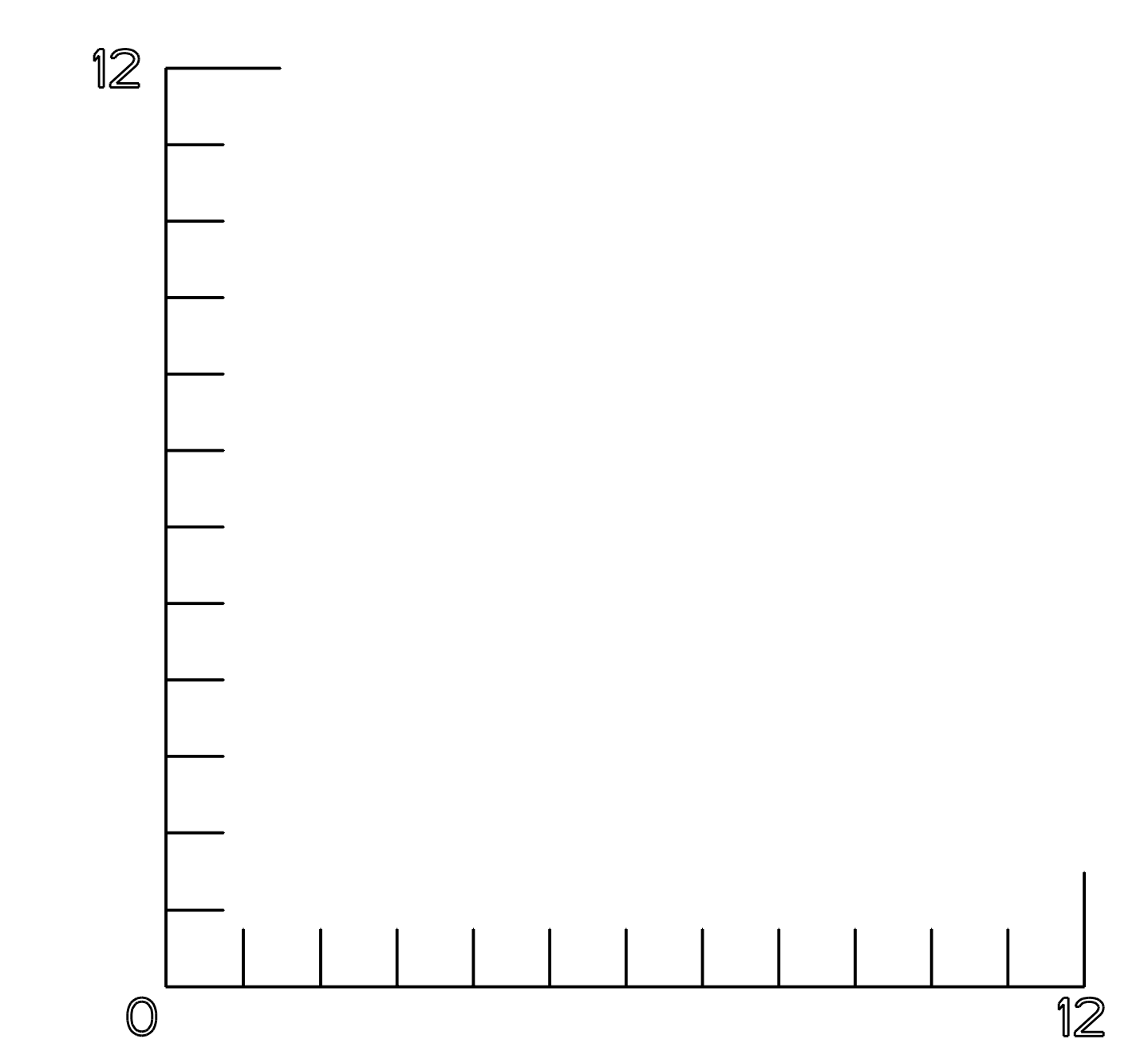
FINAL FORM
SCALE .50



ISOMETRIC VIEW
SCALE .25



FLAT PATTERN AND BEND LINES [4]
SCALE .50



1:1 SCALE
AT FULL SIZE

NOTE: BLANKET TOL FOR ALL 2 PLACE DECIMALS = ±.03

AR	CAGE CODE	PART OR IDENTIFYING NO	NOMENCLATURE OR DESCRIPTION	MATERIAL	SPECIFICATION	FIND NO
SE122-408-1			PORT 4 SEAL CUFF RIGHT SIDE	24 GA (.02 THK) 316L SST	ASTM A240	1
			NEXT ASSEMBLY	PARTS LIST		

1 PORT 4 SEAL CUFF RIGHT SIDE [4]
SCALE .50

NO REPRESENTATION OR WARRANTY, EXPRESSED OR IMPLIED, IS MADE AS TO THE ACCURACY, COMPLETENESS OR USEFULNESS OF THE INFORMATION OR STATEMENTS CONTAINED IN THESE DRAWINGS, OR THAT THE USE OR DISCLOSURE OF ANY INFORMATION, APPARATUS, METHOD OR PROCESS DISCLOSED IN THESE DRAWINGS MAY NOT INFRINGE PRIVATE RIGHTS OF OTHERS. NO LIABILITY IS ASSUMED WITH RESPECT TO THE USE OF, OR FOR DAMAGES RESULTING FROM THE USE OF, ANY INFORMATION, APPARATUS, METHOD OR PROCESS DISCLOSED IN THESE DRAWINGS. DRAWINGS MADE AVAILABLE FOR INFORMATION TO BIDDER ARE NOT TO BE USED FOR OTHER PURPOSES, AND ARE TO BE RETURNED UPON REQUEST OF THE FORWARDING CONTRACTOR.

P THIS DRAWING PRODUCED ON PRO-ENGINEER

REV	DESCRIPTION	BY	DATE	CHK	DEPT	DATE	PE	REQ	DATE	ORNL	DOE	DATE
0	ORIGINAL ISSUE	MTR	01/07	SP		01/07						
REVISION OR ISSUE PURPOSE												
REVISION APPROVAL												

SCALE NOTED		DES P GORANSON	01/07	Oak Ridge National Laboratory managed for the DEPARTMENT OF ENERGY under U.S. GOVERNMENT contract DE-AC05-00OR22725 UT-BATTELLE, LLC. Oak Ridge, Tennessee	
TOLERANCES UNLESS OTHERWISE SPECIFIED		DRW MT BROWN	01/07	UT-BATTELLE	
FRACTIONS		CHK S PARSON	01/07	NATIONAL COMPACT STELLARATOR EXPERIMENT	
XX DECIMALS ±.03		DEPT :		PORT 4 SEAL CUFF RIGHT SIDE	
XXX DECIMALS ±.005		PE :			
ANGLES ±0°15'		CR :			
BREAK SHARP EDGES OR MAX		PJ :			
FINISH .125 UNLESS OTHERWISE SPECIFIED		REQ :			
		REO :			
		PPPL DRFT J SIEGEL	01/07	VERSION NO. 5+	PLANT ORNL
				BLDG 5700	FL 3
				SHT 1	OF 1
				TYPE U	CLASS S
				RELEASE LEVEL WIP	REV 0
				SE122-408	