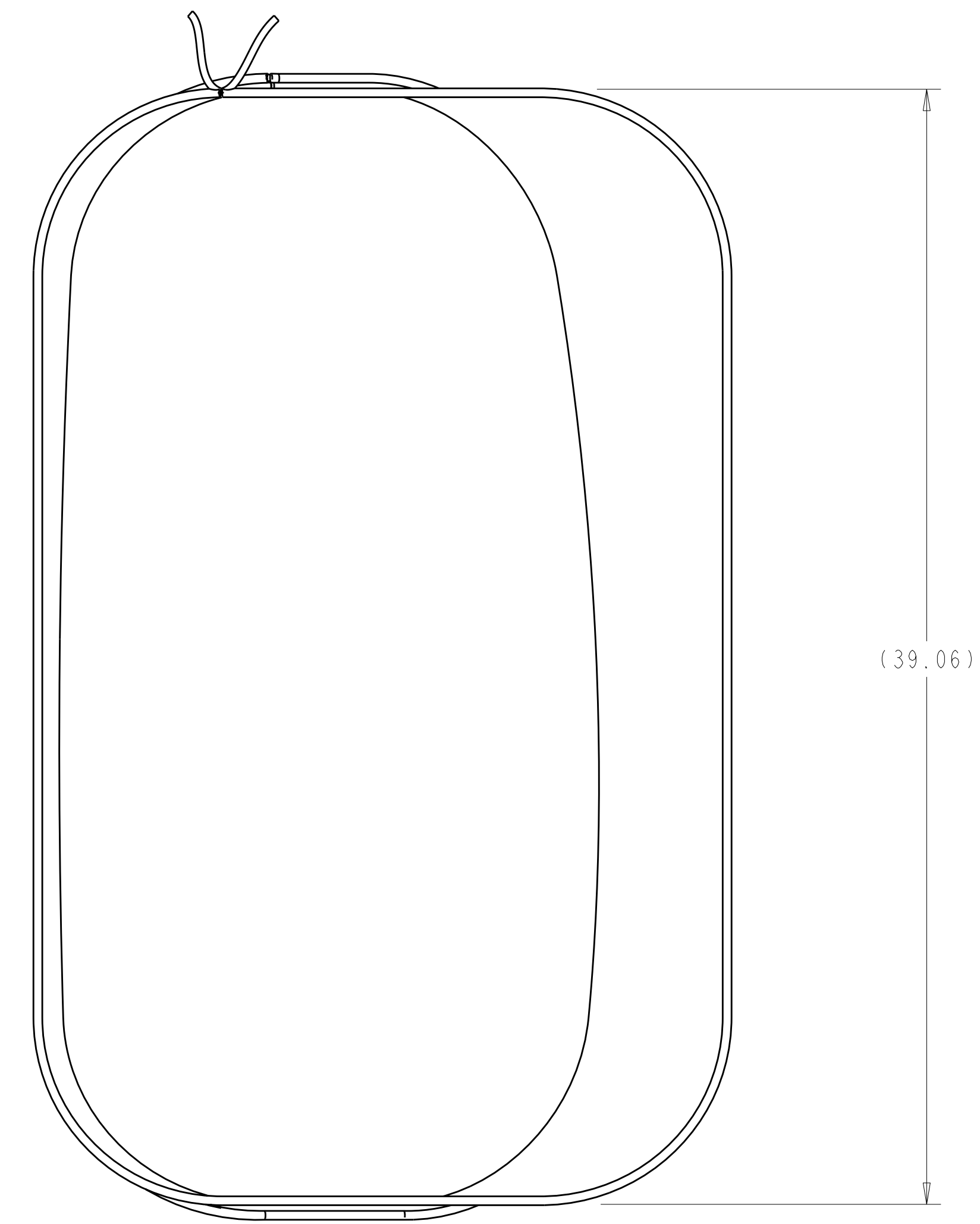
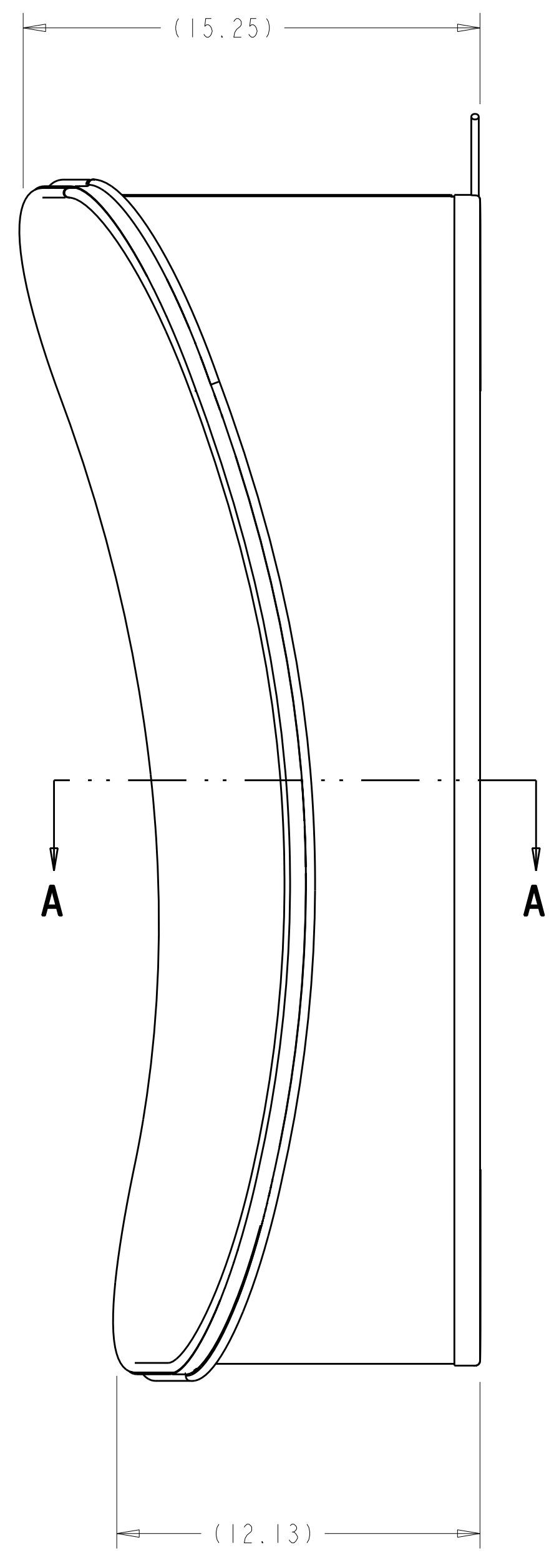


ISOMETRIC VIEW



-1 PORT 4 SEAL BOOT ASSEMBLY [4]  
SCALE .25

- NOTES
1. DRAWING PREPARED IN ACCORDANCE WITH ASME Y14.100-2004.
  2. INTERPRET DIMENSIONS AND TOLERANCES PER ASME Y14.5M-1994.
  3. DIMENSIONS ARE IN INCHES
  4. FLAT PATTERN TO BE CREATED FROM FULL SIZE PLOT.

F/N 2 - DOUBLE STITCH HEM WITH MINIMUM .38 OVERLAP. ENCLOSE WITHIN HEM  $\varnothing$ .25 ROPE, F/N 3, TO ACT AS A GASKET. THE ENDS OF THE ROPE MUST BE COMPLETELY ENCLOSED WITHIN HEM. THE ENDS OF THE ROPE MUST TOUCH WITHIN THE HEM BUT MAY NOT OVERLAP, CREATING A BULGE.

F/N 2 - DOUBLE STITCH HEM WITH MINIMUM .38 OVERLAP. ENCLOSE WITHIN HEM  $\varnothing$ .25 ROPE, F/N 3, TO ACT AS A DRAW STRING. PROVIDE HOLE THRU THE HEM SO THAT THE ENDS OF THE DRAW STRING EXTEND A MINIMUM OF 6" PER LEAD (12" TOTAL).

SECTION A-A  
SCALE 2.00

REV	AR	CAGE CODE	PART OR IDENTIFYING NO	NOMENCLATURE OR DESCRIPTION	MATERIAL	SPECIFICATION	FIND NO
4	1		-2	PORT 4 SEAL BOOT CONE		NCSX-PRL-12-001	2
			-3	$\varnothing$ .25 ROPE		NCSX-PRL-12-001	3
			-1	PORT 4 SEAL BOOT ASSEMBLY		NCSX-PRL-12-001	1

← NEXT ASSEMBLY

PARTS LIST

NO REPRESENTATION OR WARRANTY, EXPRESSED OR IMPLIED, IS MADE AS TO THE ACCURACY, COMPLETENESS OR USEFULNESS OF THE INFORMATION OR STATEMENTS CONTAINED IN THESE DRAWINGS, OR THAT THE USE OR DISCLOSURE OF ANY INFORMATION, APPARATUS, METHOD OR PROCESS DISCLOSED IN THESE DRAWINGS MAY NOT INFRINGE PRIVATE RIGHTS OF OTHERS. NO LIABILITY IS ASSUMED WITH RESPECT TO THE USE OF, OR FOR DAMAGES RESULTING FROM THE USE OF, ANY INFORMATION, APPARATUS, METHOD OR PROCESS DISCLOSED IN THESE DRAWINGS. DRAWINGS MADE AVAILABLE FOR INFORMATION TO BIDDER ARE NOT TO BE USED FOR OTHER PURPOSES, AND ARE TO BE RETURNED UPON REQUEST OF THE FORWARDING CONTRACTOR.

**P** THIS DRAWING PRODUCED ON PRO-ENGINEER

REV	DESCRIPTION	BY	DATE	CHK	DEPT	PE	REQ	DATE	ORNL	DOE	DATE
0	ORIGINAL ISSUE	MTR	01/07	SP							

SCALE NOTED	DES PL GORANSON 01/07
TOLERANCES UNLESS OTHERWISE SPECIFIED	DRW MT BROWN 01/07
FRACTIONS	CHK S. PARSON 01/07
XX DECIMALS ±.01	DEPT :
XXX DECIMALS ±.005	PE :
ANGLES ±0°15'	CR :
BREAK SHARP EDGES OR MAX FINISH .125 UNLESS OTHERWISE SPECIFIED	PJ :
	RD :
	PPPL DRFT J SIEGEL 01/07
	VERSION NO. 6
	PLANT ORNL
	BLDG 5700
	FL 3
	SHT 1
	OF 2
	TYPE A
	CLASS U
	REV 0

Oak Ridge National Laboratory managed for the DEPARTMENT OF ENERGY under U.S. GOVERNMENT CONTRACT DE-AC05-00OR22725 UT-BATTELLE, LLC, Oak Ridge, Tennessee

**UT-BATTELLE**

NATIONAL COMPACT STELLARATOR EXPERIMENT

PORT 4 SEAL BOOT ASSEMBLY

SE122-409

8

7

6

5

4

3

2

1

NEXT ASS'Y:

FINAL ASS'Y:

H

H

G

G

F

F

E

E

D

D

C

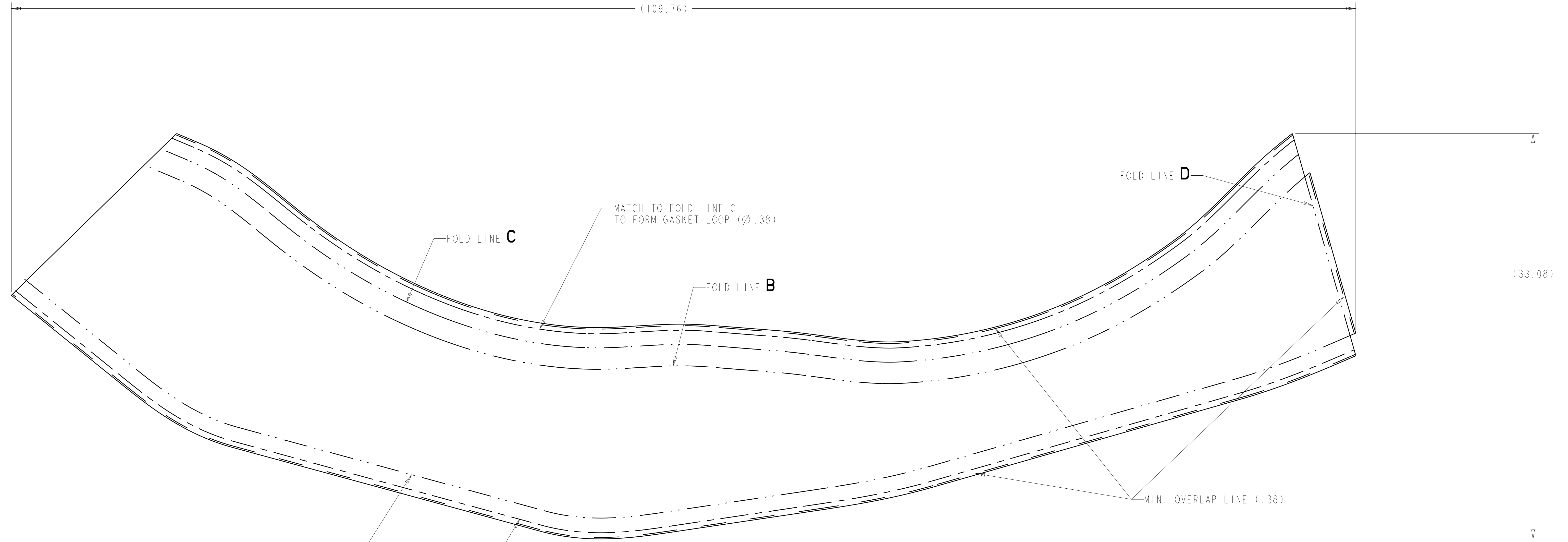
C

B

B

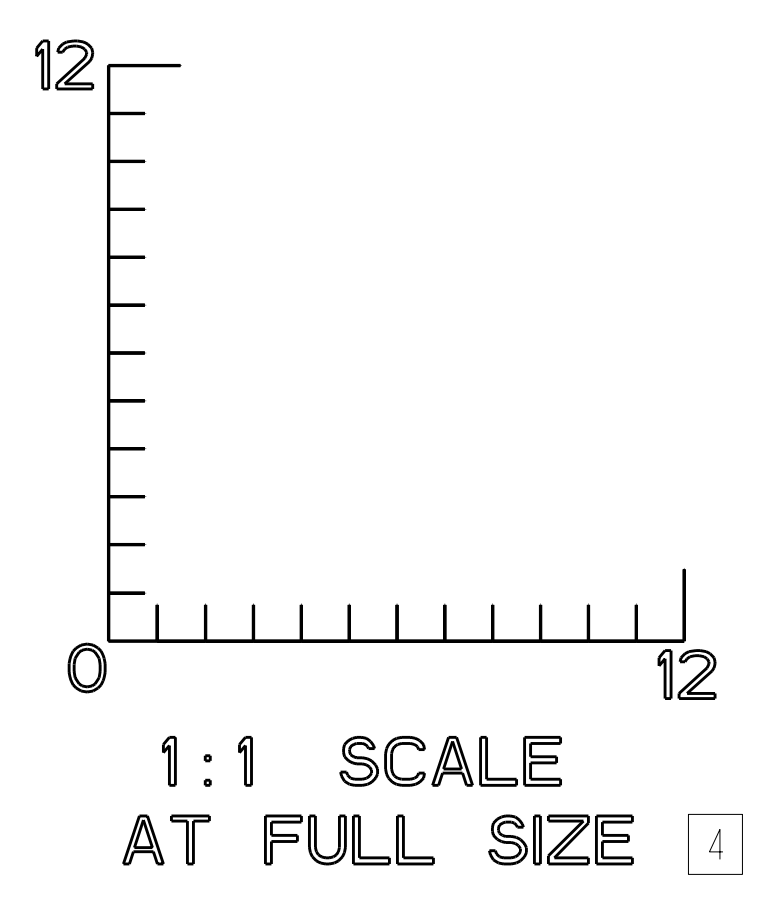
A

A



FOLD LINE A  
 MATCH TO FOLD LINE A  
 TO FORM DRAW STRING LOOP (Ø.38)

-2 FLAT PATTERN 4  
 SCALE 0.25



Oak Ridge National Laboratory managed for the DEPARTMENT OF ENERGY under U.S. GOVERNMENT contract DE-AC05-00OR22725 UT-BATTELLE, LLC, Oak Ridge, Tennessee PROJECT NAME										
<b>UT-BATTELLE</b> <b>NATIONAL COMPACT STELLARATOR EXPERIMENT</b>										
<b>PORT 4 SEAL BOOT ASSEMBLY</b>										
VERSION NO.	PLANT	BLDG	FL	SHT	OF	TYPE	CLASS			
6	ORNL	5700	3	2	2	A	U			
RELEASE LEVEL		SE122-409						REV		
WIP								0		

8

7

6

5

4

3

2

1

SE122-409