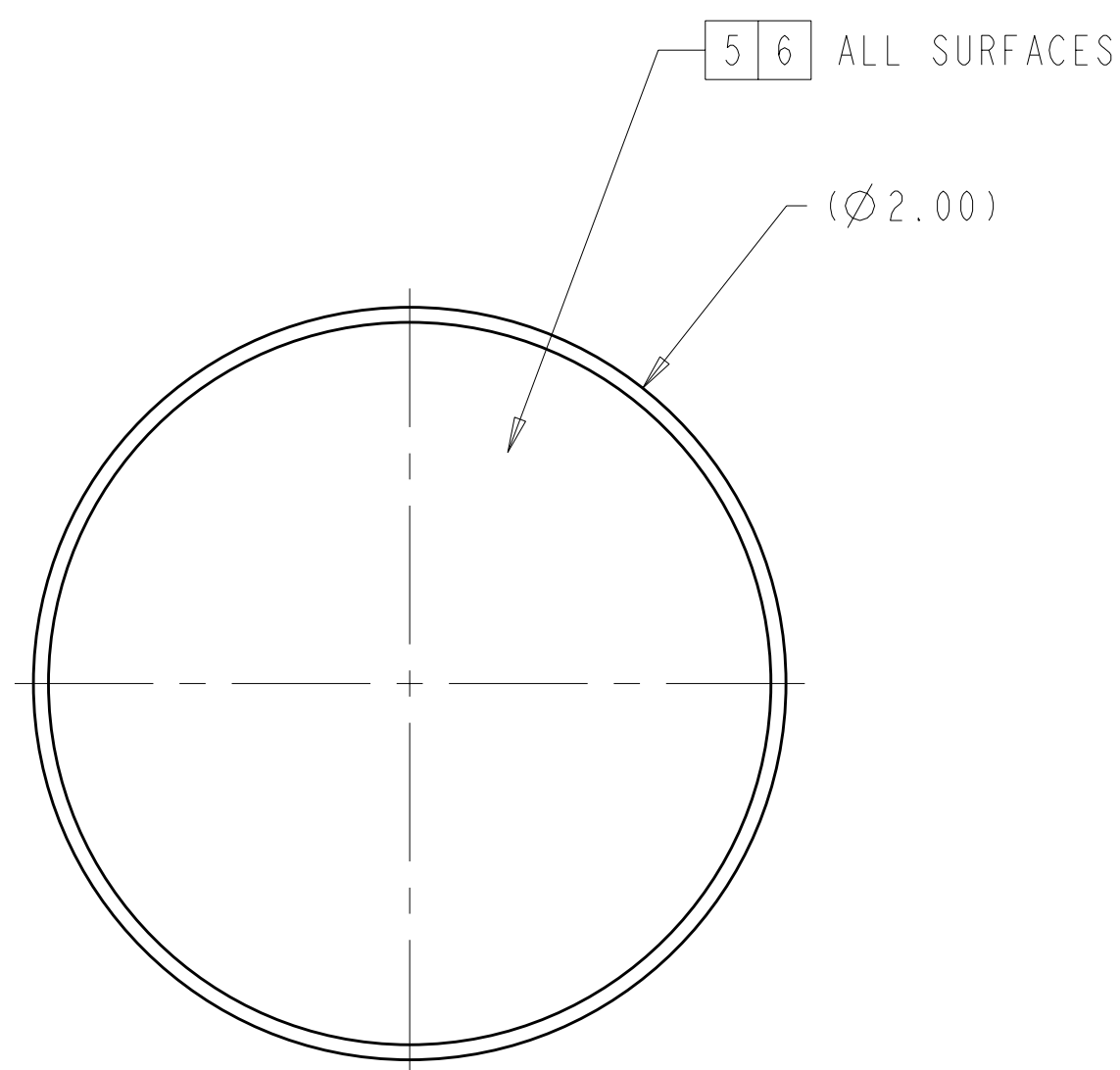
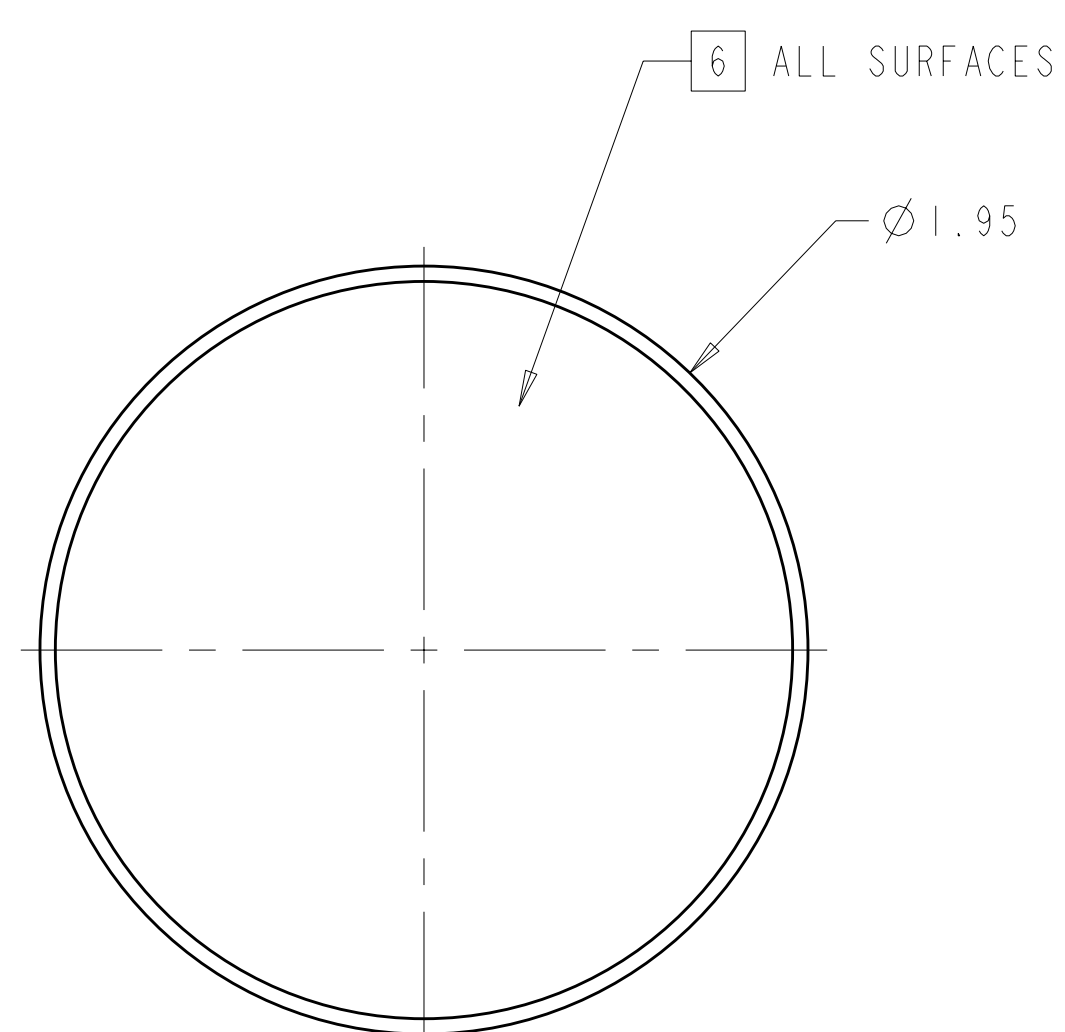


ISOMETRIC VIEW
SCALE 1.00



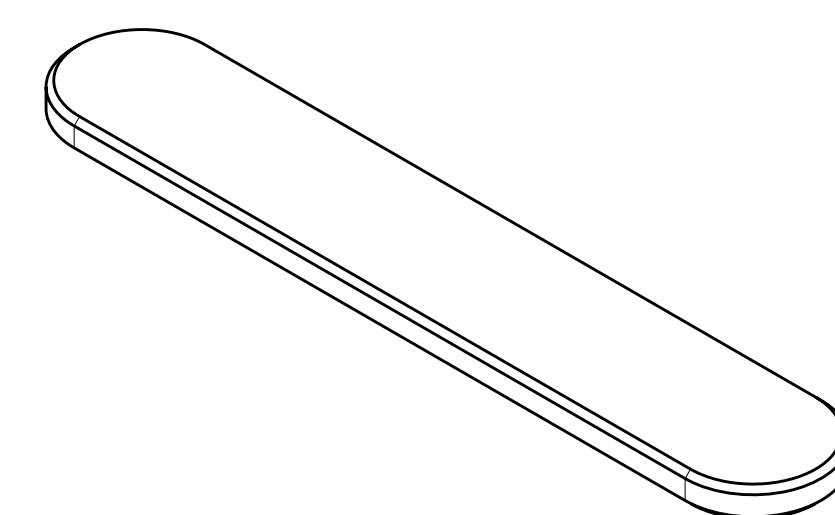
NOTE: DIMENSIONS SHOWN ARE AFTER COATING

-2 CC - SHIM PUCK - 2.00
SCALE 2.00

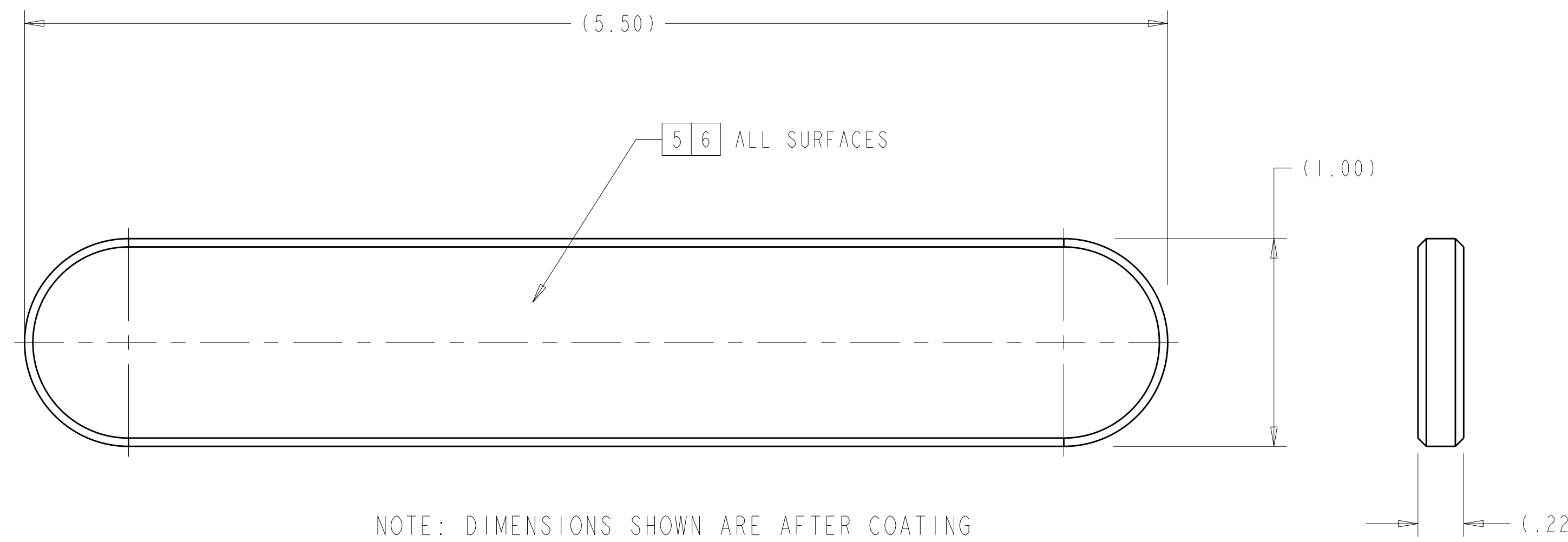


NOTE: DIMENSIONS SHOWN ARE FOR NON-COATED PART

P THIS DRAWING PRODUCED ON PRO-ENGINEER

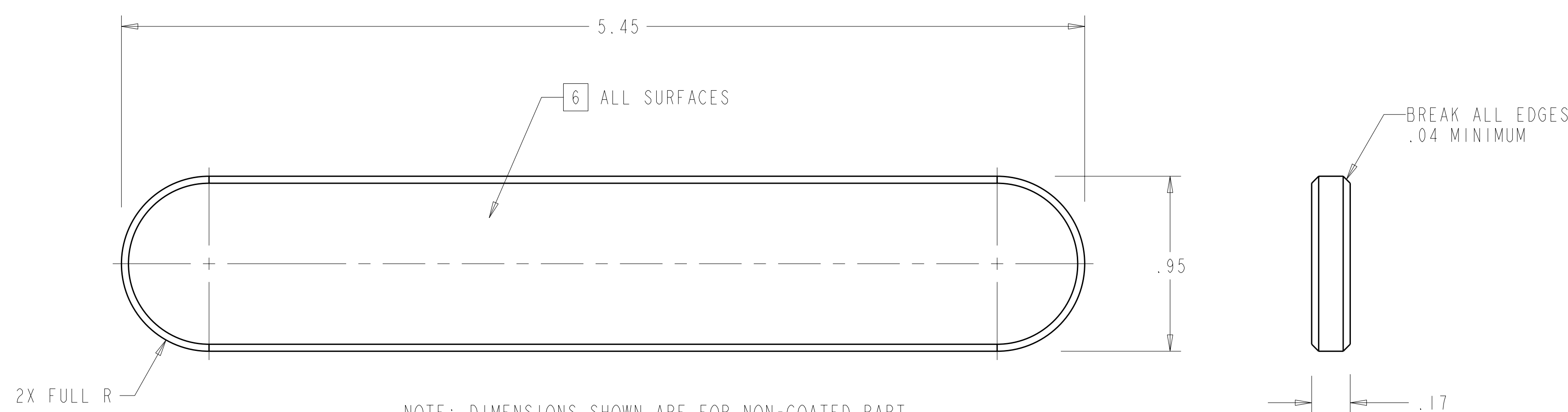


ISOMETRIC VIEW
SCALE 1.00



NOTE: DIMENSIONS SHOWN ARE AFTER COATING
ALUMINA COATING THICKNESS PER SIDE .025 +.003 / -.002

-1 CC - SHIM PUCK - 1.00 X 5.50
SCALE 2.00



NOTE: DIMENSIONS SHOWN ARE FOR NON-COATED PART

NOTES

1. DRAWING PREPARED IN ACCORDANCE WITH ASME Y14.100-2004.
2. INTERPRET DIMENSIONS AND TOLERANCES PER ASME Y14.5M-1994.
3. DIMENSIONS ARE IN INCHES
4. MAGNETIC PERMEABILITY NOT TO EXCEED 1.02 AS TESTED BY A SEVERN INDICATOR. AVAILABLE FROM:
SEVERN ENGINEERING
AUBURN, ALABAMA 36830
WWW.SEVERNENGINEERING.COM
- IF PERMEABILITY SPEC IS NOT ACHIEVED THEN SOLUTION ANNEAL PART PRIOR TO COATING.
5. ALUMINA COATING PER SPECIFICATION NCSX-CSPEC-142-06-00.
6. SURFACE FINISH AFTER COATING 150-500.
SURFACE FINISH ON NON-COATED PART 125 OR LESS UNLESS OTHERWISE SPECIFIED BY COATING SUPPLIER.
7. OPTIONAL MATERIAL: UNS N06625 ASTM B446 ANNEALED

CAGE CODE	PART OR IDENTIFYING NO	NOMENCLATURE OR DESCRIPTION	MATERIAL	SPECIFICATION	FIND NO
[7] AR	SE140-058-2	CC - SHIM PUCK - Ø 2.00	S31603 ANNEALED [4]	ASTM A276	2
[7] AR	SE140-058-1	CC - SHIM PUCK - 1.00 X 5.50	PLASMA ALUMINA COATED [5]		1
PARTS LIST					

SCALE NOTED		DES: D WILLIAMSON 02/2008	U.S. GOVERNMENT CONTRACT DE-AC05-00OR22725	
TOLERANCES UNLESS OTHERWISE SPECIFIED		DRW: S HOMESCU 02/2008	UT-BATTELLE	
FRACTIONS ±.01		CHK: M COLE 02/2008	NATIONAL COMPACT STELLARATOR EXPERIMENT	
XX DECIMALS ±.005		SECT: :	CC - SHIM PUCK	
XXX DECIMALS ±.0015		DEPT: :	VERSION NO. 4	
ANGLES ±0°15'		PE: :	PLANT ORNL	
BREAK SHARP EDGES OR MAX FINISH .125 UNLESS OTHERWISE SPECIFIED		CR: :	BLDG 5700	
		PJ: :	FL 3	
		RD: :	SHT 1	
		PPPL DRFT J SIEGEL 02/2008	OF 1	
			TYPE I	
			CLASS S	
			RELEASE LEVEL WIP	
			SE140-058	
			REV 0	

NO REPRESENTATION OR WARRANTY, EXPRESSED OR IMPLIED, IS MADE AS TO THE ACCURACY, COMPLETENESS OR USEFULNESS OF THE INFORMATION OR STATEMENTS CONTAINED IN THESE DRAWINGS, OR THAT THE USE OR DISCLOSURE OF ANY INFORMATION, APPARATUS, METHOD OR PROCESS DISCLOSED IN THESE DRAWINGS MAY NOT INFRINGE PRIVATE RIGHTS OF OTHERS. NO LIABILITY IS ASSUMED WITH RESPECT TO THE USE OF, OR FOR DAMAGES RESULTING FROM THE USE OF, ANY INFORMATION, APPARATUS, METHOD OR PROCESS DISCLOSED IN THESE DRAWINGS. DRAWINGS MADE AVAILABLE FOR INFORMATION TO BIDDER ARE NOT TO BE USED FOR OTHER PURPOSES, AND ARE TO BE RETURNED UPON REQUEST OF THE FORWARDING CONTRACTOR.