

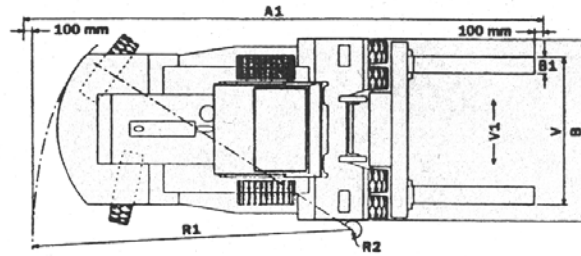
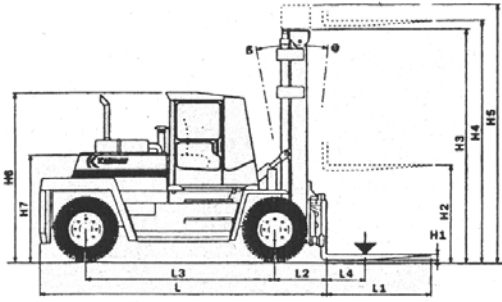
BAY CRANE

www.baycrane.com

15 ton Forklift



Kalmar DCD136-6XL
Specifications



Machine Dimensions (inches)

A1	Aisle for 90 degree stacking	278
B	Width of truck	99.6
B1	Width of fork	7.8
H1	Fork Thickness	3.1
H2	Free lift	48
H3	Mast height, Lowered	102
H4	Standard lifting height	141
H5	mast Height, max	200
H6	Truck height, to top of cab	102
H7	height to operator's seat	70
L	Length of truck	196
L1	Fork length	96
L2	Axle center to fork face	36
L3	Wheelbase	128
L4	Load center	24
R1	Turning radius, outer	172
R2	Turning radius, inner	4.9
V	Width across fork arms, max	92
	Width across fork arms, min	22
@	Tilting of mast, forward	5°
	Tilting of mast forward	10°
T1	Max height when tilting cab	132
T2	Max width when tilting cab	133
	Ground clearance, mast	10.6
	Ground clearance, center wheelbase	13.8

Load Table

<u>Load center (Ins)</u>	<u>Capacity</u>
24	30,000 Lbs
36	23,100 Lbs
48	19,300 Lbs

Technical data

Lifting Data

Lift Capacity	30,000 Lbs
Load center	24 Inches
Lift Speed, unloaded – loaded	69-59 fpm
Lowering Speed, unloaded – loaded	79-79 fpm

Driving Data

Speed forward, unloaded – loaded	20-20 mph
Speed reverse, unloaded – loaded	20-20 mph
Gradability at rated load	17.5%
Gradability stalling at rated load	23%

Weight of truck (Lbs)

Service weight	35,280
Front axle load, unloaded-loaded	17,420 – 61,300
Rear axle load, unloaded-loaded	17,860 – 3,980

Engine

Make – model	Perkins, 1006-6T
Fuel – type of engine	Diesel – 4 stroke
Power	Hp-rpm 133-2500
Number of cylinders-compression	6-16.5:1
Fuel consumption-normal driving	1.6 gal/hr

Transmission

Gearbox, make-model	Clarke-18000
Clutch type	Torque converter
Gearbox type	Powershift
Number of gears, forward – reverse	3-3
Drive axle, make – model	Kessler-D81 hub

Wheels

Wheels front and rear	Pneumatic
Dimensions	12.00 x 20

Steering and Brakes

Steering System	Power
Driving brake/Parking brake	wet disc/Spring

Fluid Capacities (Gallons)

Fuel	54
Coolant	4.5
Hydraulic oil	58
Drive axle	5
Gearbox	4
Engine oil	3.4

BAY CRANE