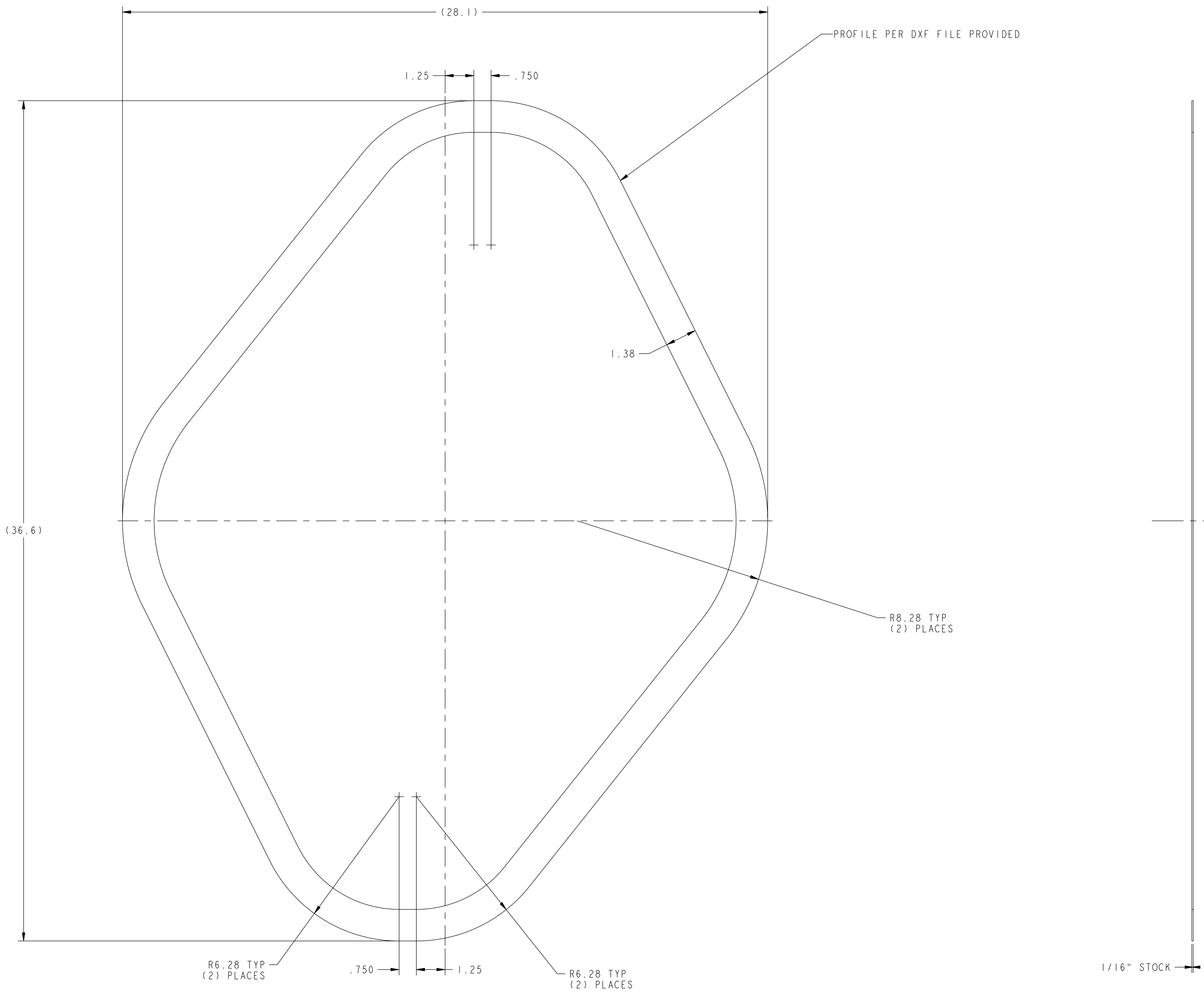


NO.	REVISION	BY	CH	SUP	APPROVED	DATE



**RELEASED FOR
FABRICATION / INSTALLATION**
PPPL Drafting:

1	SE184-055	NB PORT TEMPORARY COVER SPACER	ALUM 6061-T6	1
PART NO.	DRAWING NO	NOMENCLATURE OR DESCRIPTION	MATERIAL	QTY REOD
PARTS LIST				
COMPUTER GENERATED DRAWING MANUAL CHANGES NOT PERMITTED Pro E	CENTRAL FILES: UNLESS OTHERWISE SPECIFIED	PRINCETON PLASMA PHYSICS LABORATORY NATIONAL COMPACT STELLARATOR EXPERIMENT		
DO NOT VERIFY INFORMATION BY SCALING DRAWING	DIMENSIONS ARE IN INCHES MACHINE SURFACES BREAK SHARP EDGES .005/.020	EXTERNAL FLUX LOOPS VACUUM VESSEL VERTICAL SUPPORT STAND N.B. PORT TEMPORARY COVER SPACER		
WEIGHT 0.8 lbs	MODEL NAME SE184-055	TOLERANCES NON-CUMULATIVE DECIMAL-INCH FRACTIONS .XX +/- .000 .XXX +/- .005 ANGULAR +/- .05	DSN: L. MORRIS CHK: T. BROWN ENGR: T. BROWN SUPV: J. SIEGEL	3-29-06 3-29-06 3-29-06 3-29-06
RELEASE LEVEL: FABRICATION DWG VERSION NO: 1		WELDING ENGINEER	DRAWING NO: SE184-055	
			SHEET 1 OF 1	REV D, 14

NCSX-SE184-055