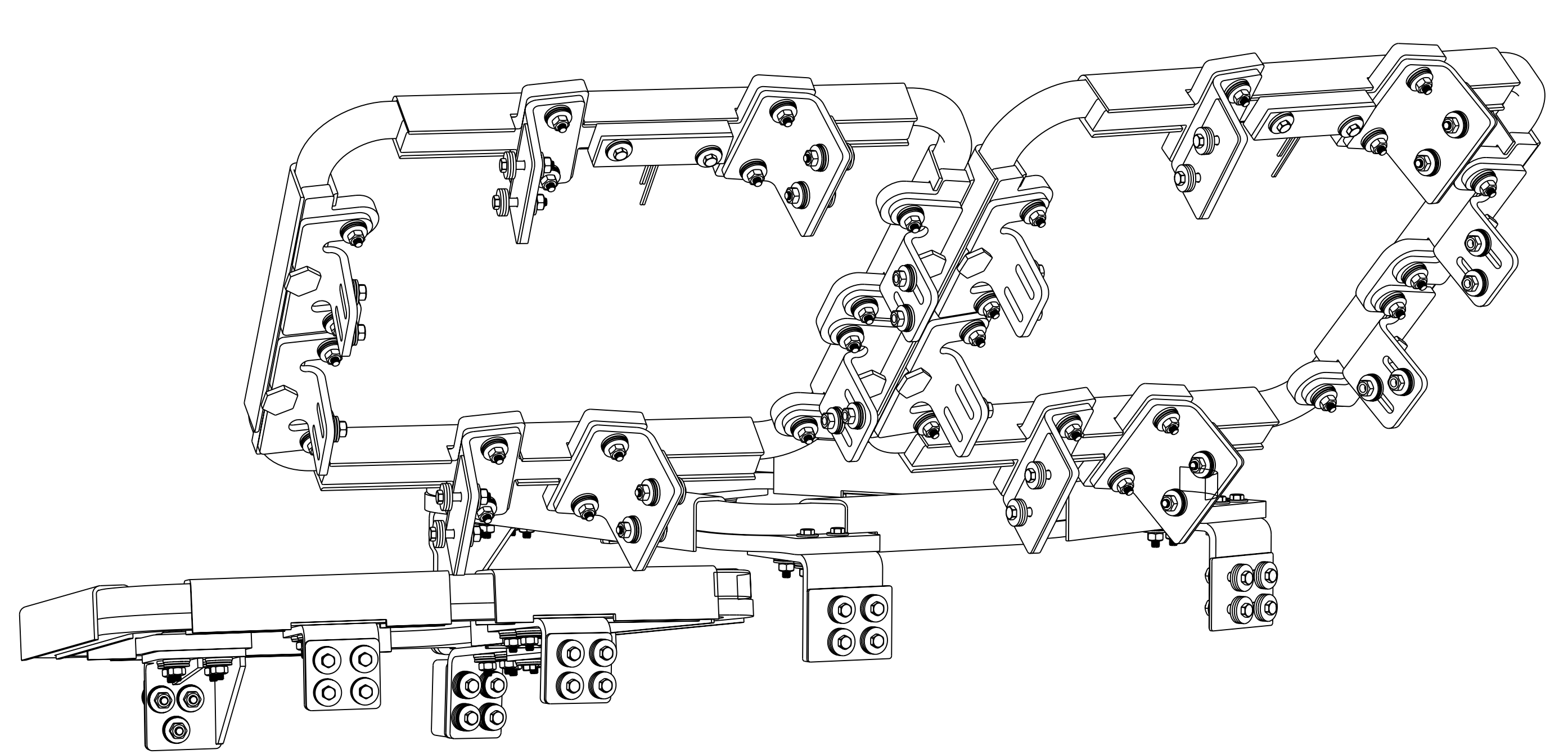
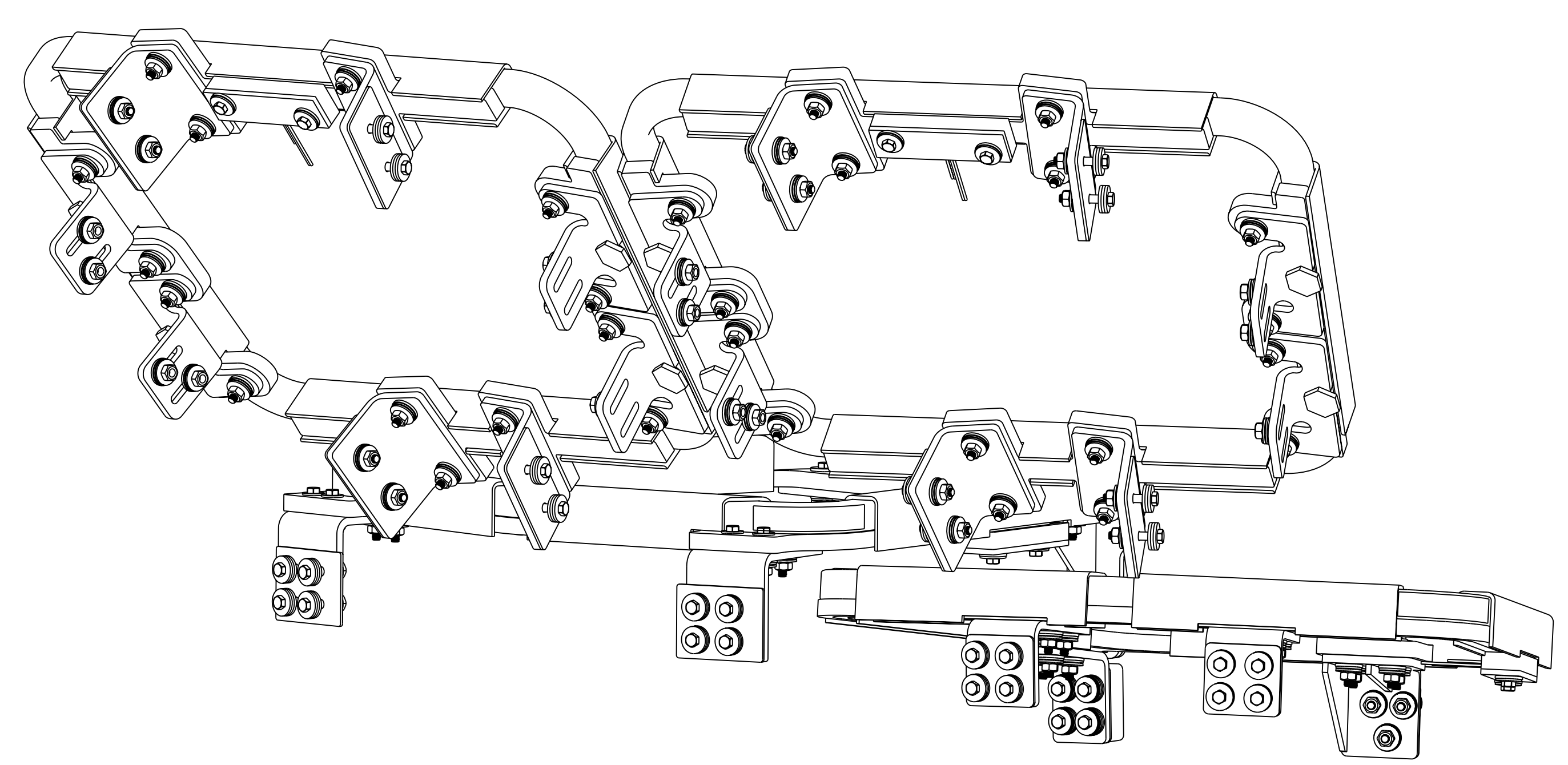
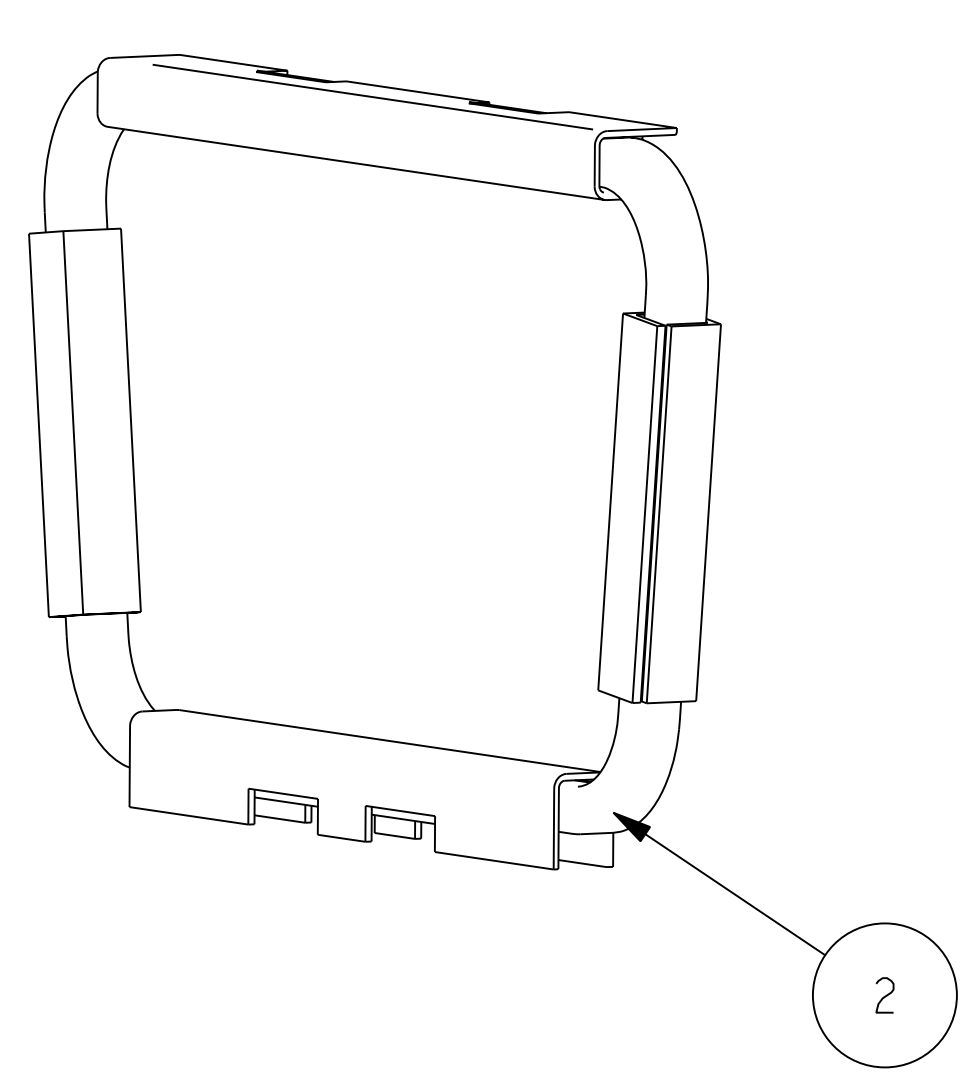
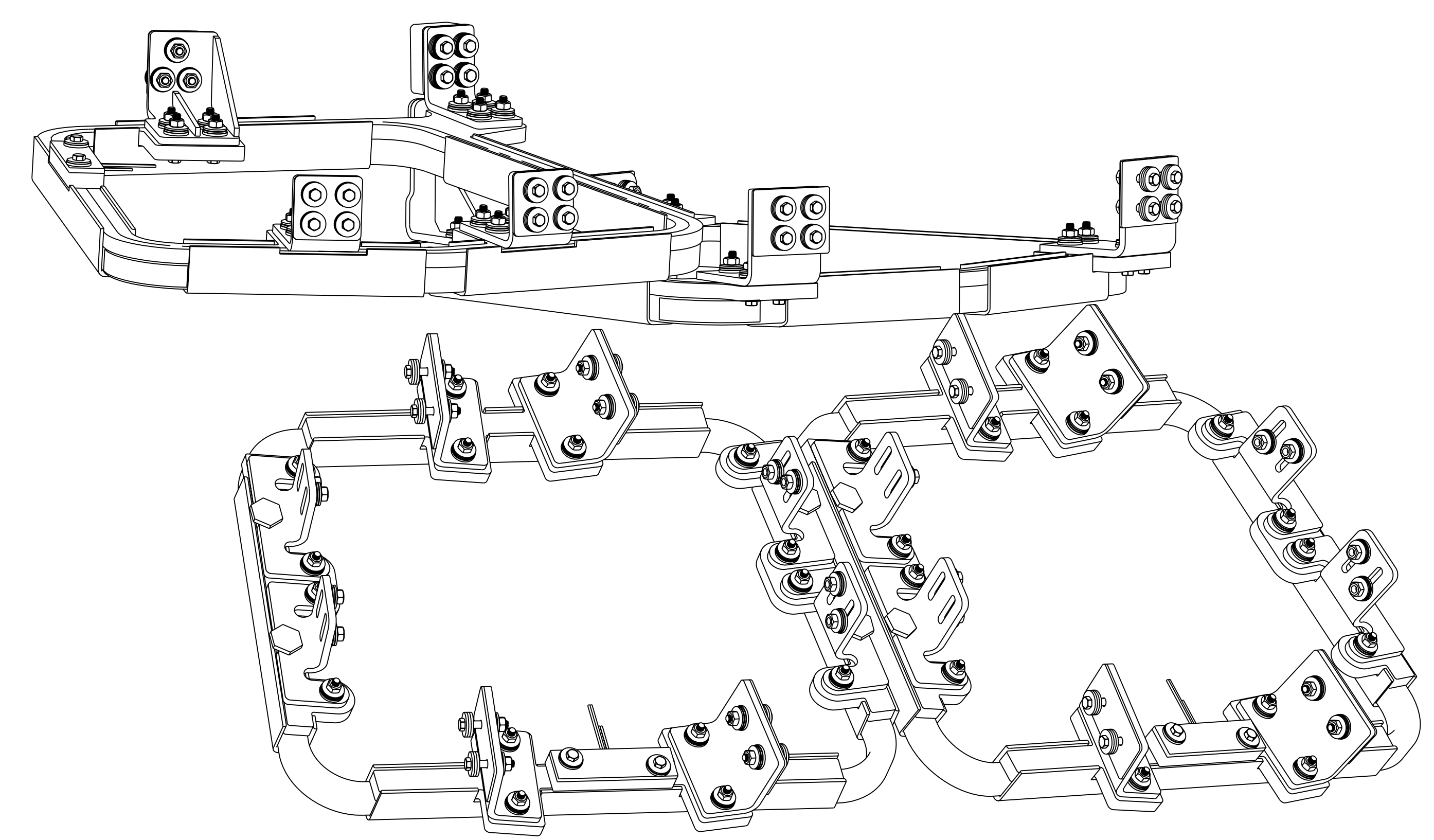
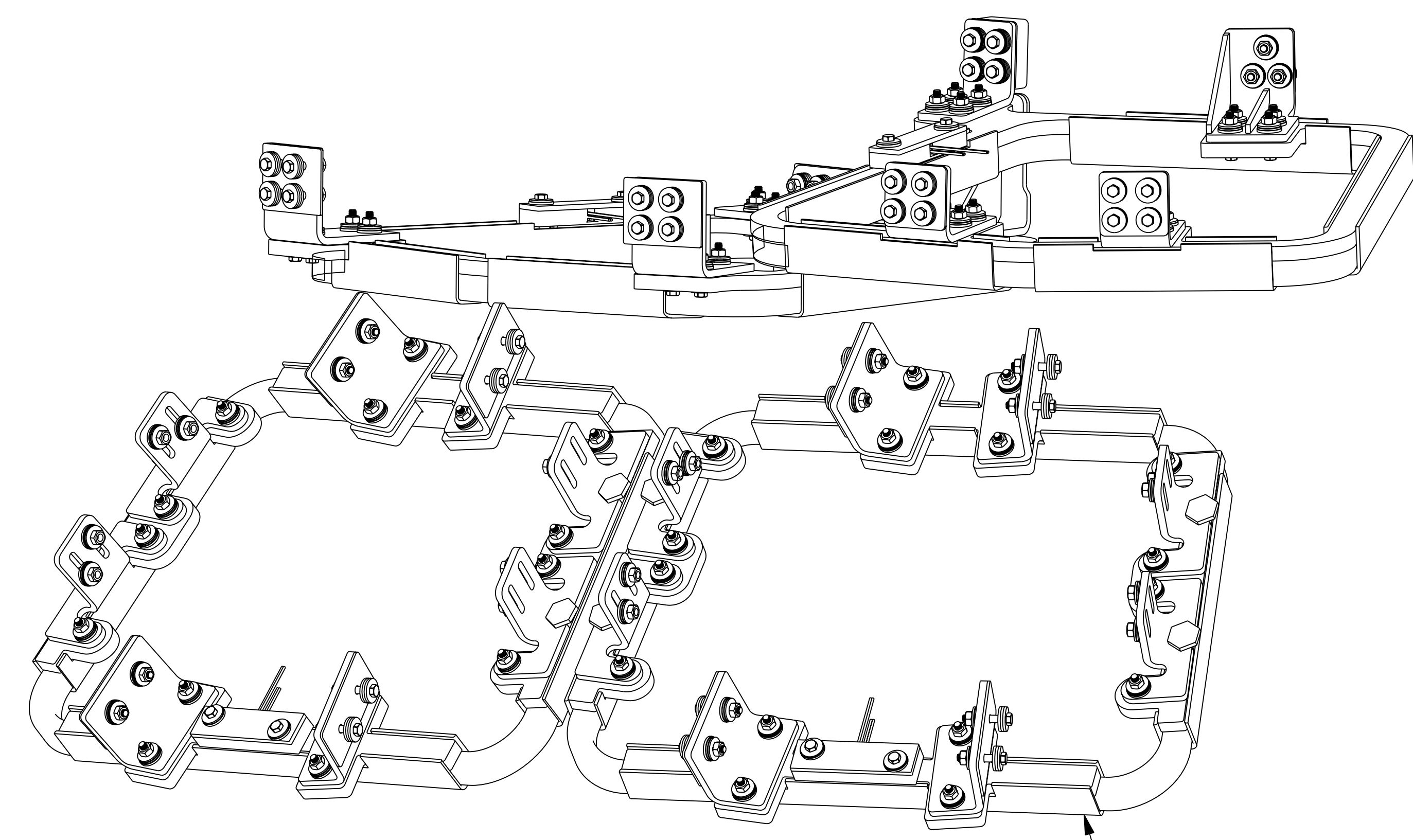


NO.	REVISION	BY	CH	SUP	APPROVED	DATE



2	SE133-050	TRIM COIL - TO BE DETERMINED	SEE DETAILS	1
1	SE133-003	TRIM COIL PERIOD SUB ASSEMBLY	SEE DETAILS	2
PART NO.	DRAWING NO	NOMENCLATURE OR DESCRIPTION	MATERIAL	QTY RECD
PARTS LIST				
COMPUTER GENERATED DRAWING MANUAL CHANGES NOT PERMITTED P r o E	CENTRAL FILES: UNLESS OTHERWISE SPECIFIED	PRINCETON PLASMA PHYSICS LABORATORY PRINCETON UNIVERSITY		
DO NOT VERIFY INFORMATION BY SCALING DRAWING	DIMENSIONS ARE IN INCHES MACHINE SURFACES BREAK SHARP EDGES .005/.020	NATIONAL COMPACT STELLARATOR EXPERIMENT STELLARATOR CORE TRIM COILS TOP LEVEL ASSEMBLY		
WEIGHT 7516.0 lbs	MODEL NAME SE133-002	TOLERANCES NON-CUMULATIVE	DSN: R. UPCAUGE	6/6/08
RELEASE LEVEL: Fabrication DWG VERSION NO: 13	WELDING ENGINEER	DECIMAL-INCH FRACTIONS	CHK: M. KALISH	6/6/08
		.XX +/- .000 0°-120° +/- .004	ENGR: M. KALISH	6/6/08
		.XXX +/- .005 120°-120° +/- .004	SUPV: J. SIEGEL	6/6/08
		ANGULAR +/- 0°-15° OVER 120° +/- .122		
			DRAWING NO:	SE133-002
			SHEET 1 OF 1	REV 0

NCSX-SE133-002