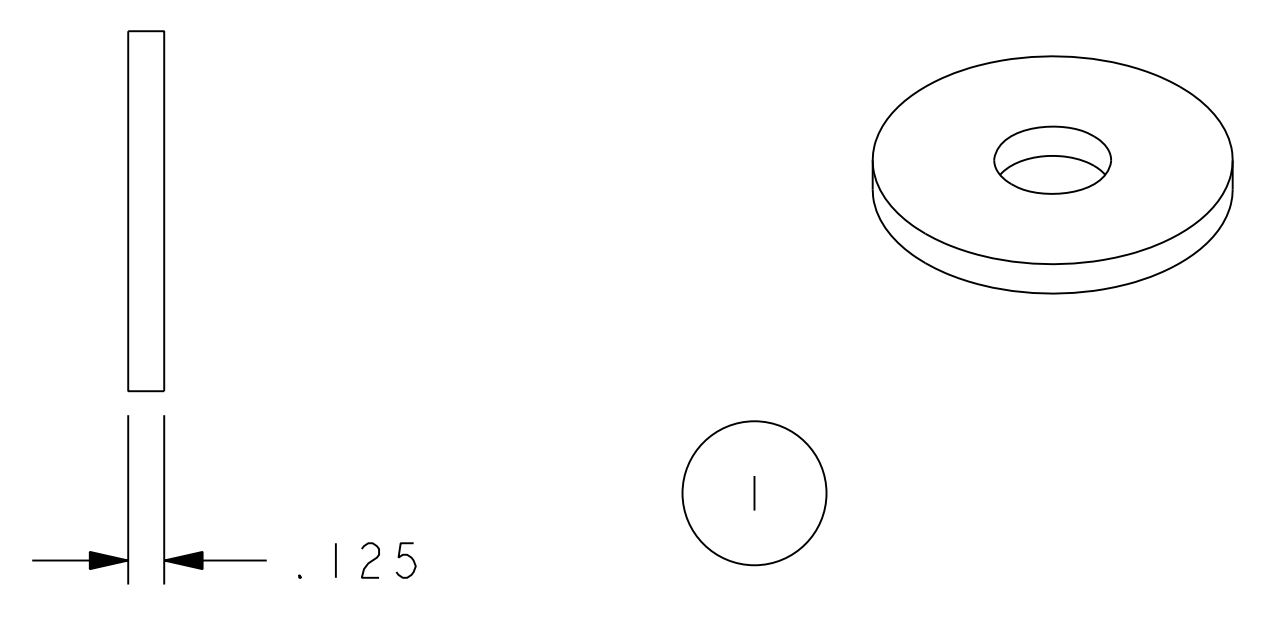
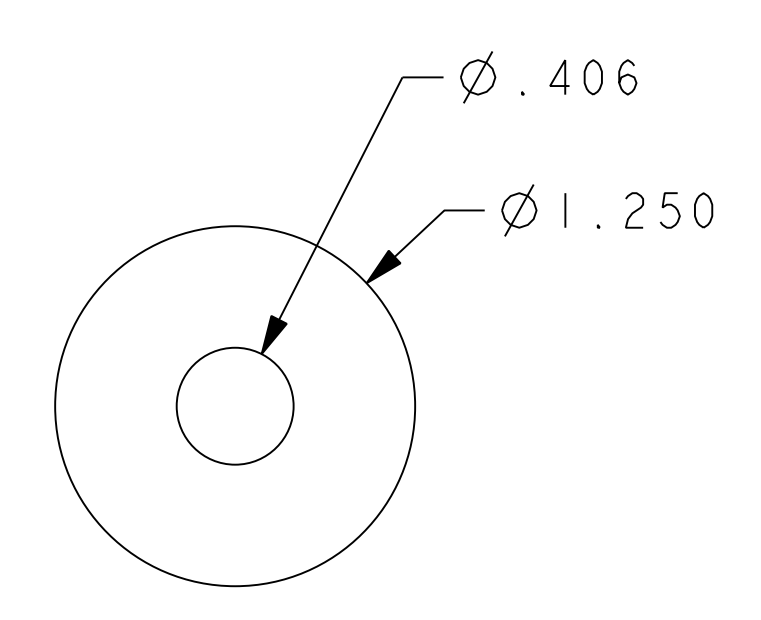
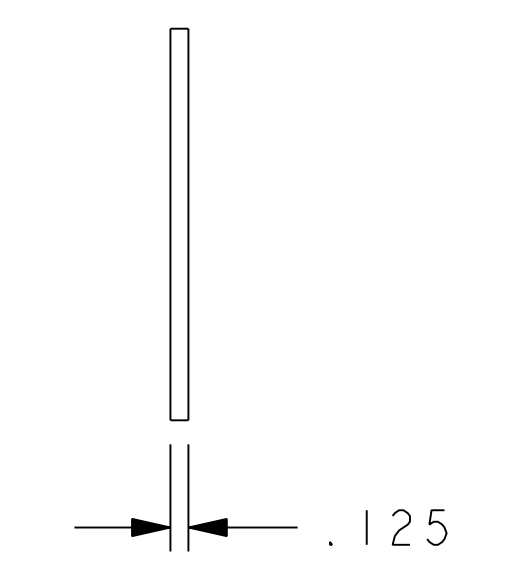
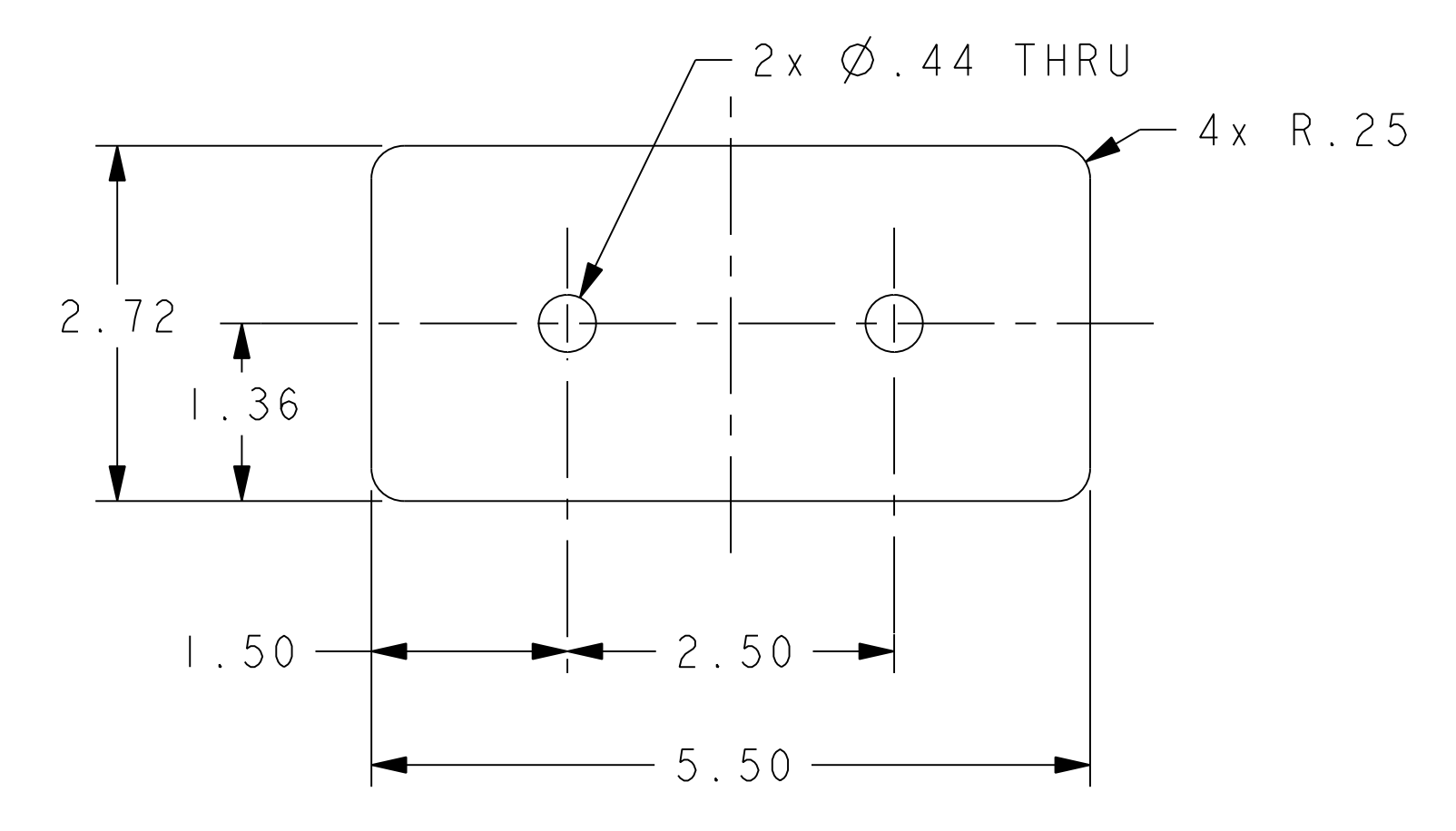


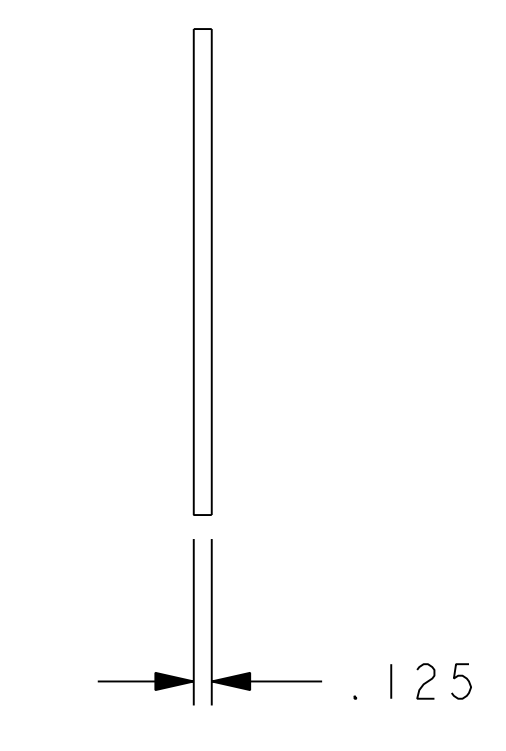
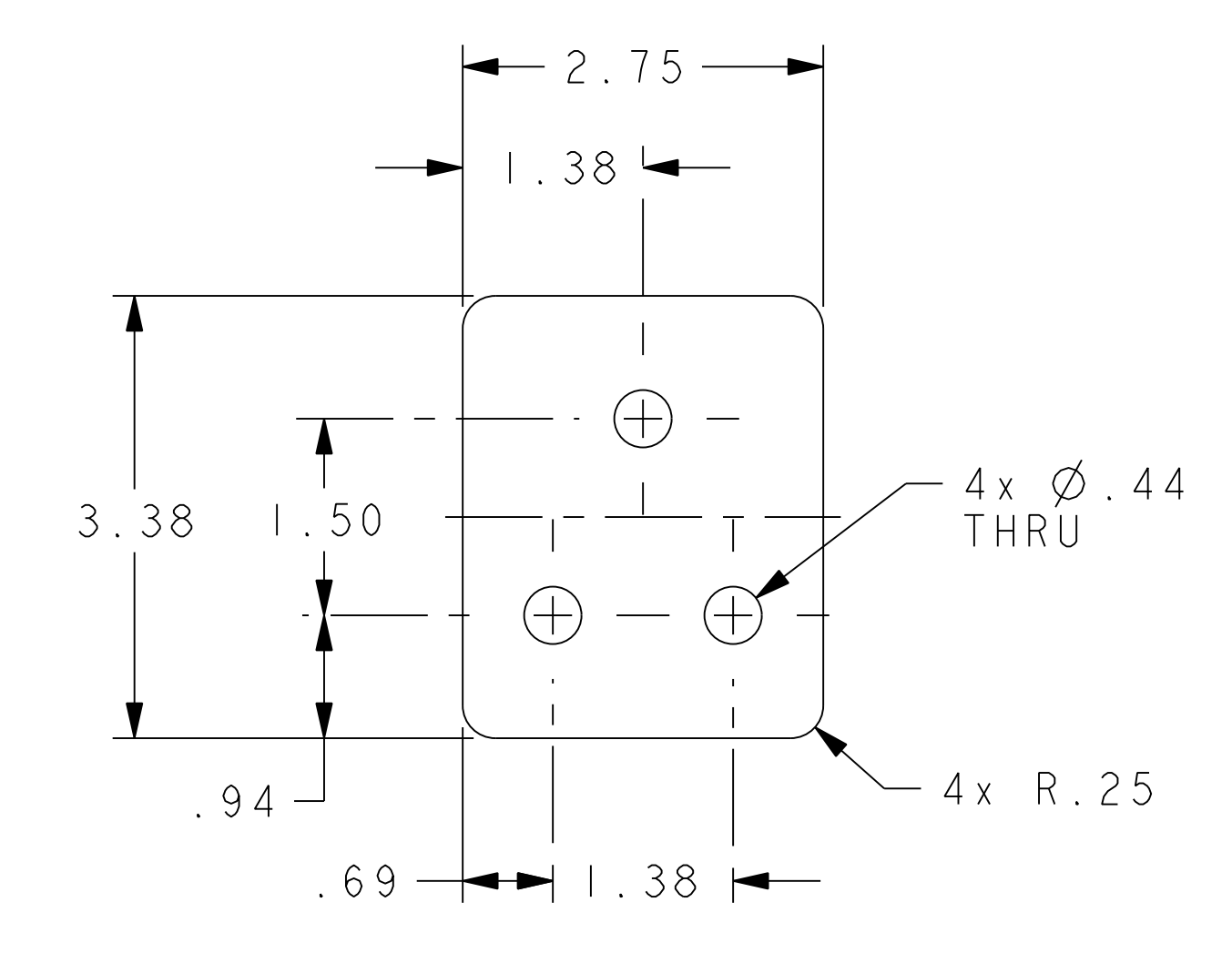
NO.	REVISION	BY	CH	SUP	APPROVED	DATE



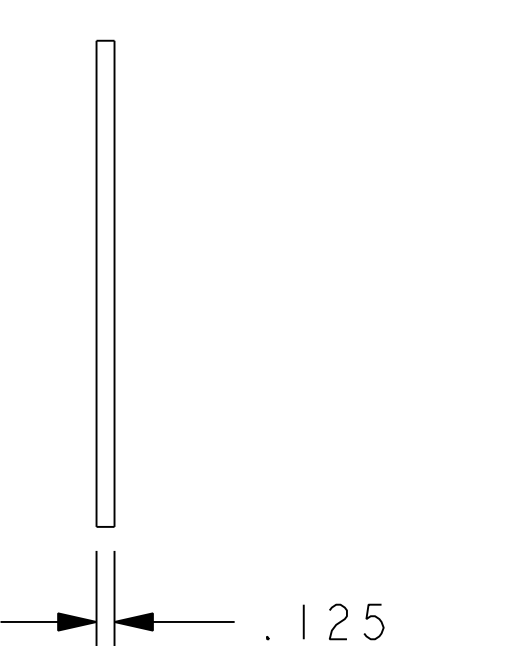
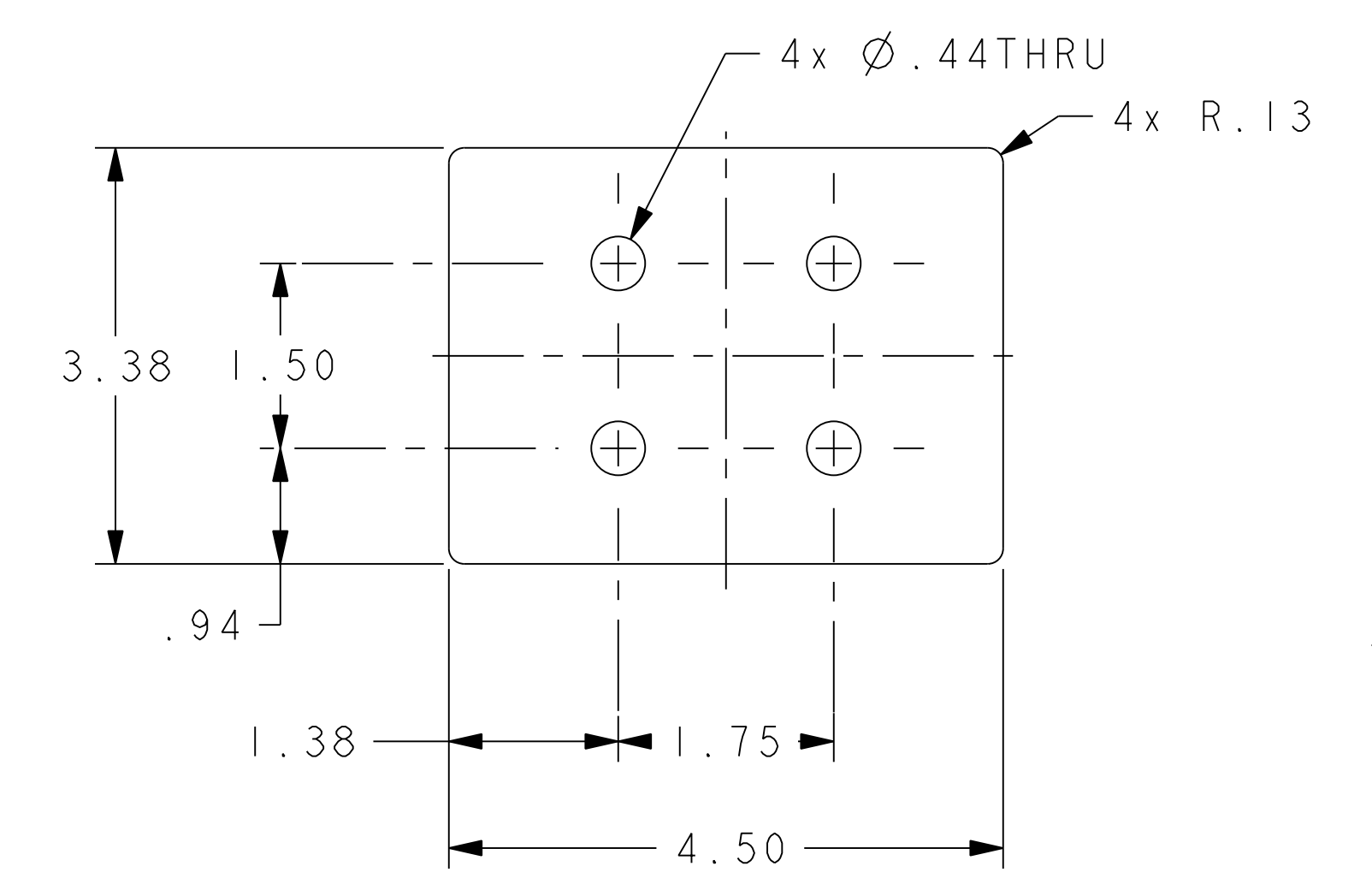
1



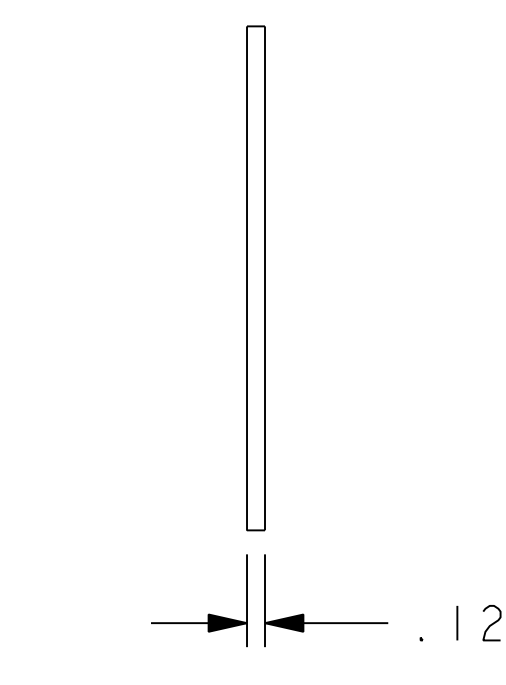
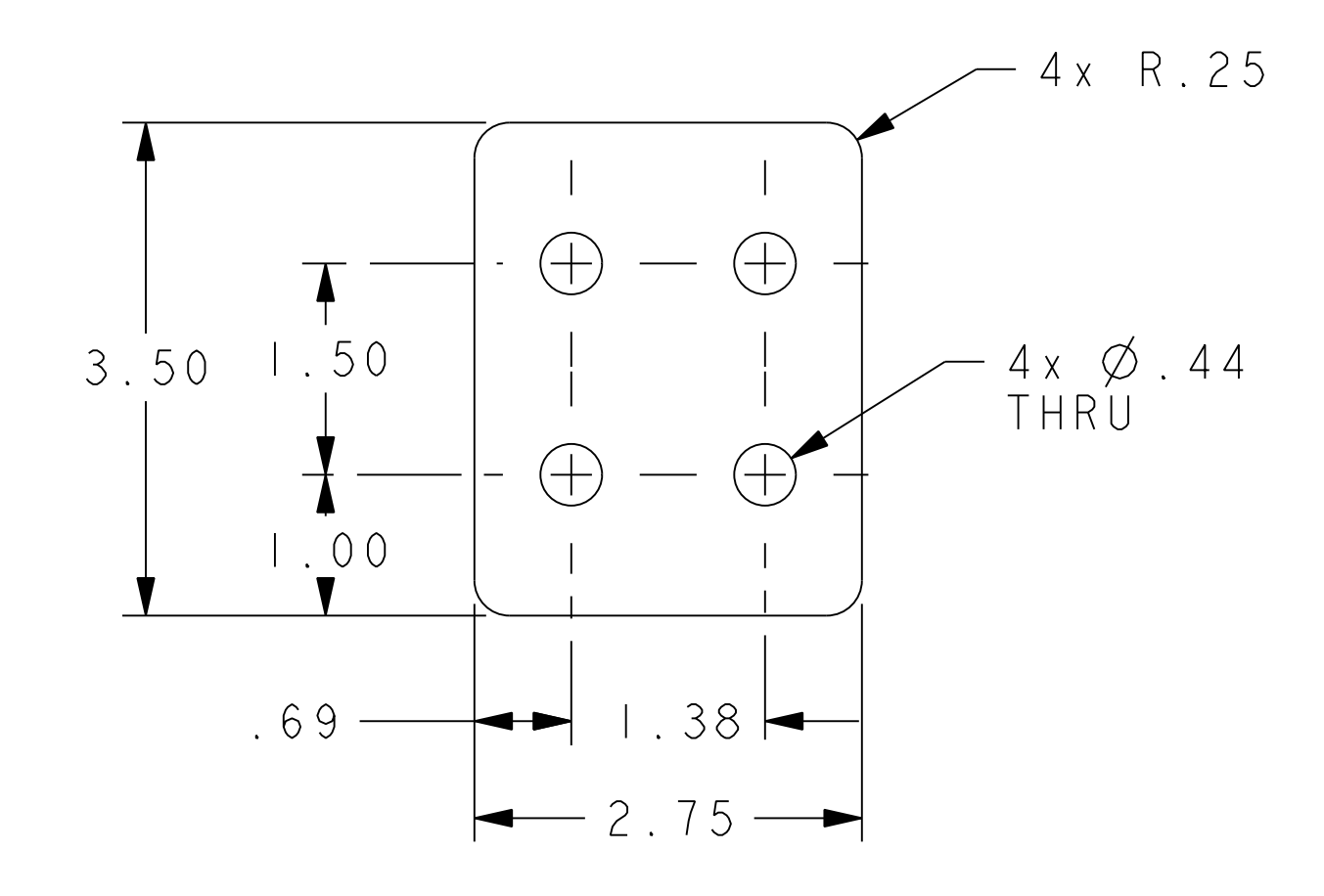
2



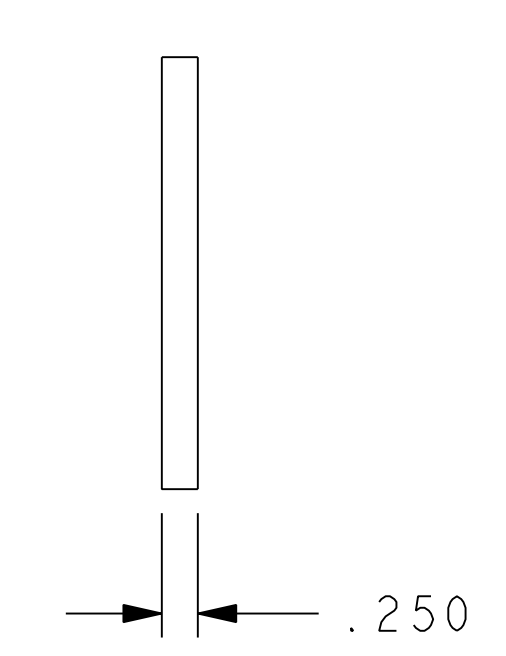
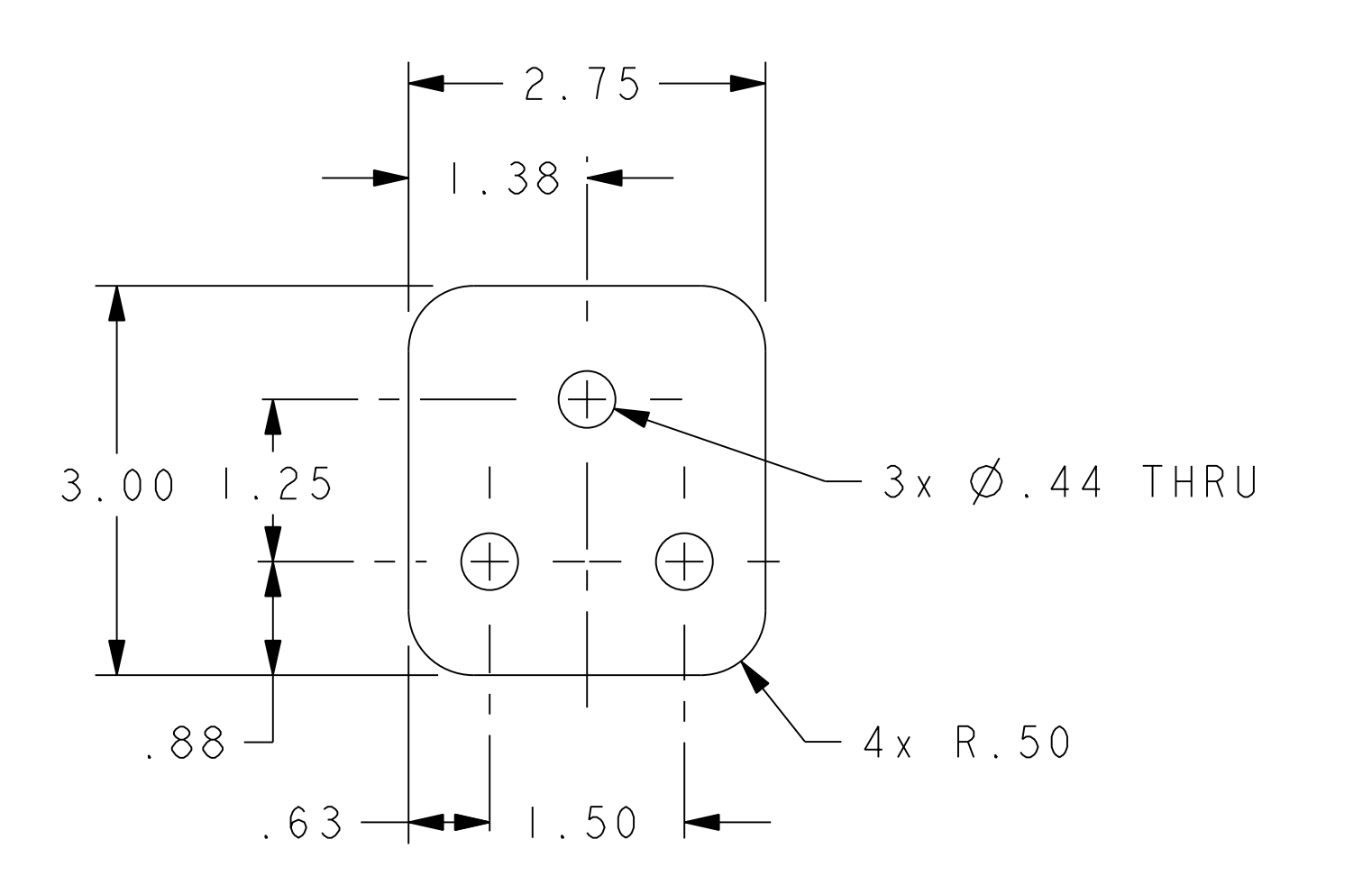
6



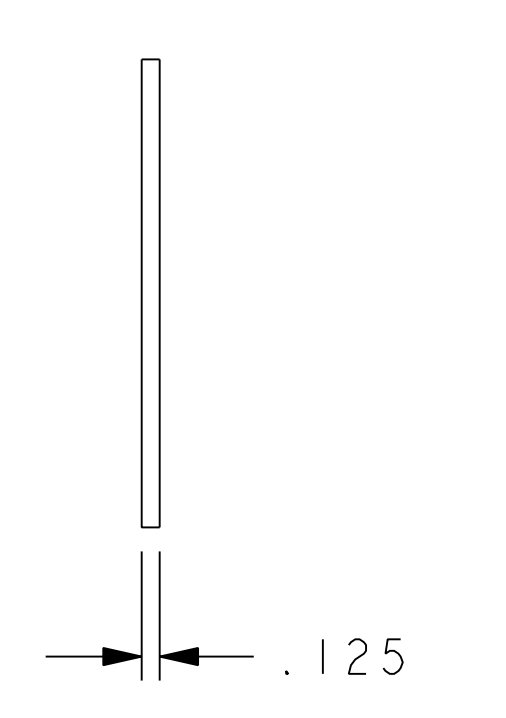
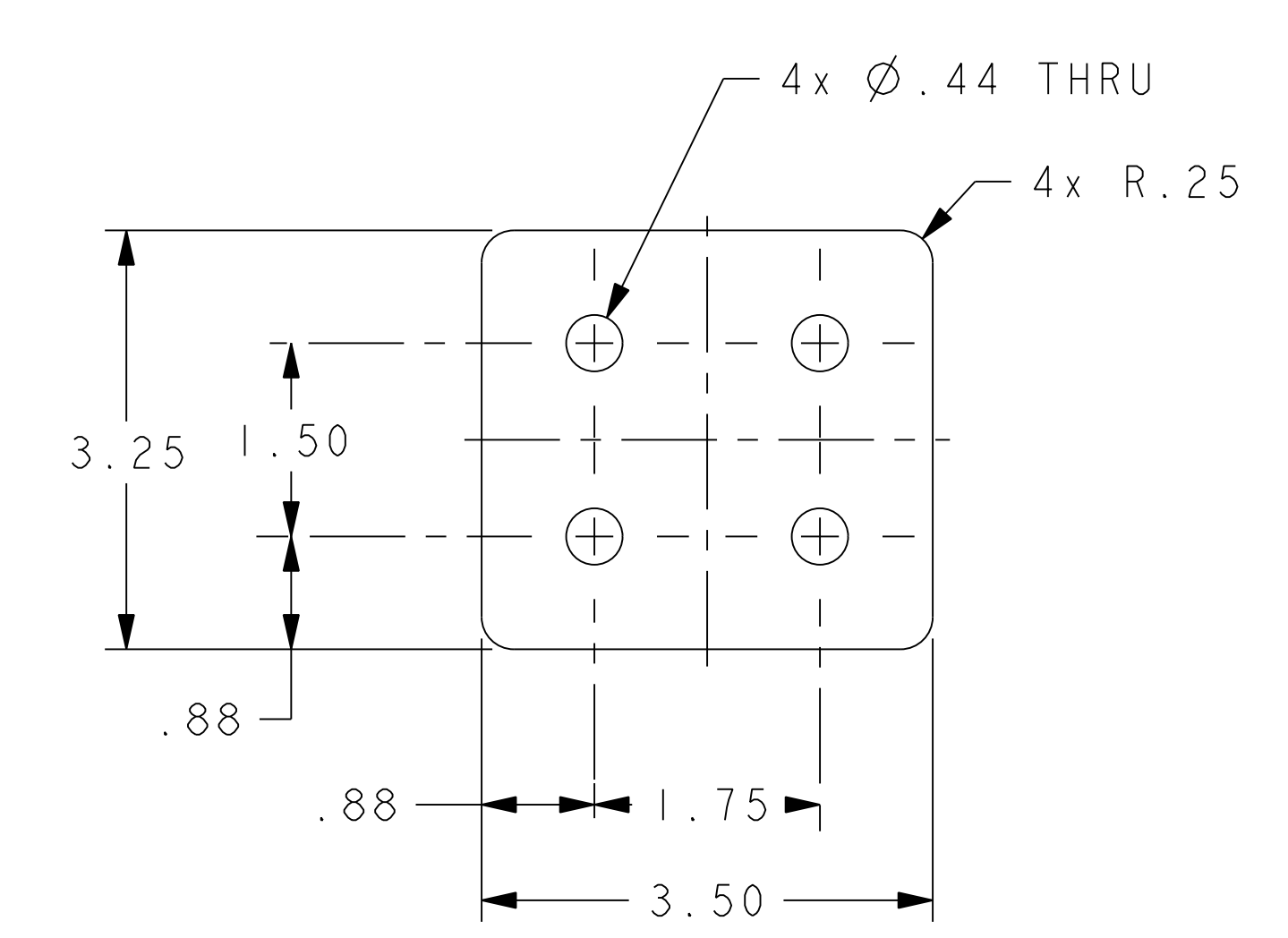
3



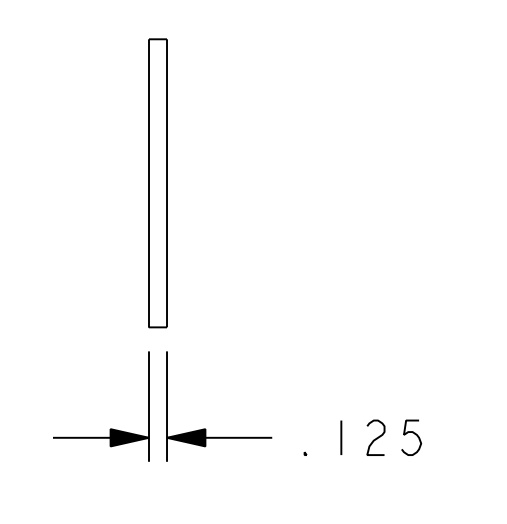
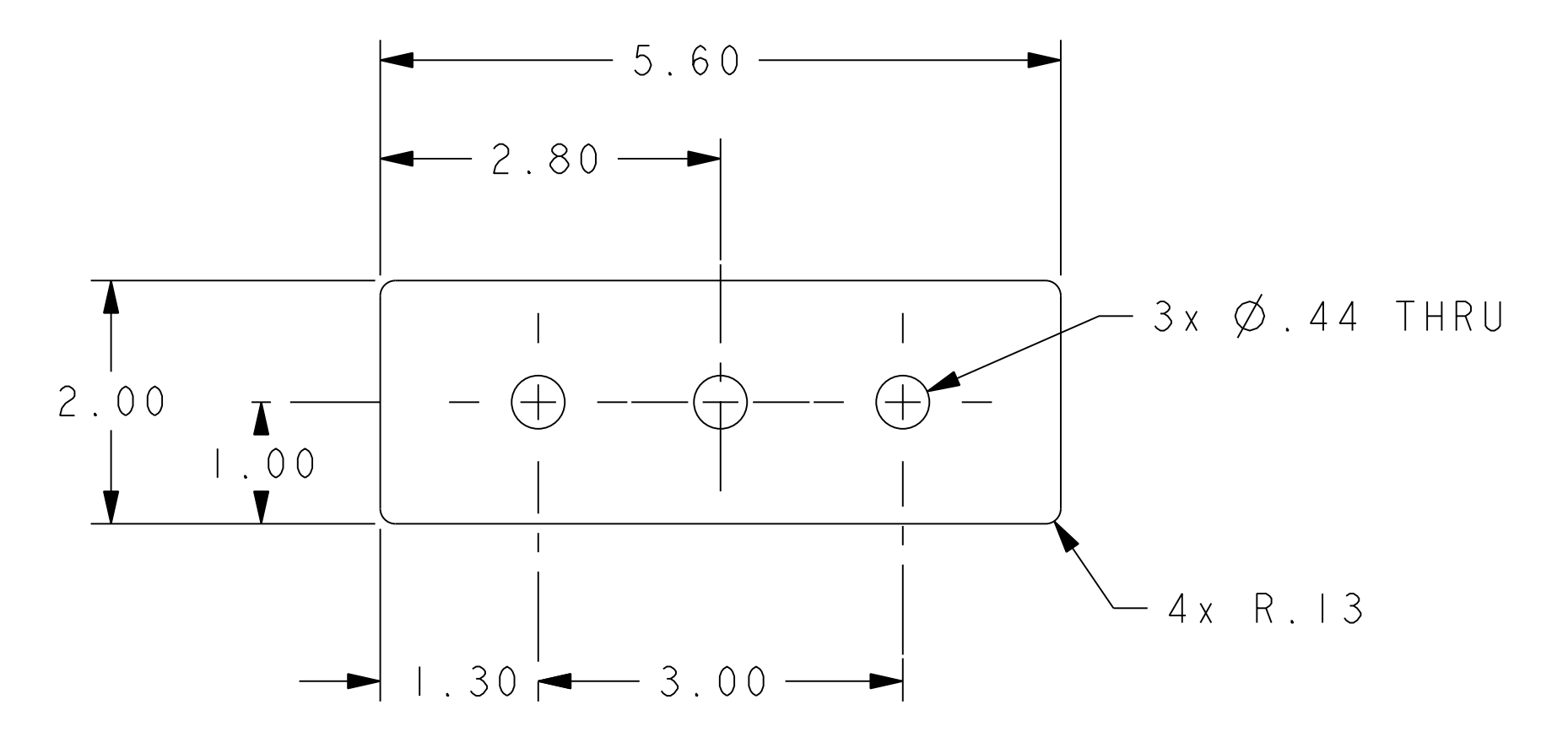
7



4



8



5

PART NO.	DRAWING/MODEL NO	NOMENCLATURE OR DESCRIPTION	MATERIAL	QTY	REOD
8	SE133-068-8	INSULATOR #8	G10	12	
7	SE133-068-7	INSULATOR #7	G10	6	
6	SE133-068-6	INSULATOR #6	G10	6	
5	SE133-068-5	INSULATOR #5	G10	6	
4	SE133-068-4	INSULATOR #4	G10	6	
3	SE133-068-3	INSULATOR #3	G10	12	
2	SE133-068-2	INSULATOR #2	G10	12	
1	SE133-068-1	INSULATOR #1	G10	198	

PARTS LIST

COMPUTER GENERATED DRAWING MANUAL CHANGES NOT PERMITTED	CENTRAL FILES: UNLESS OTHERWISE SPECIFIED	PRINCETON PLASMA PHYSICS LABORATORY PRINCETON UNIVERSITY			
Pro E	DIMENSIONS ARE IN INCHES MACHINE SURFACES	NATIONAL COMPACT STELLARATOR EXPERIMENT			
DO NOT VERIFY INFORMATION BY SCALING DRAWING	BREAK SHARP EDGES .005/.020	STELLARATOR CORE TRIM COILS INSULATOR			
TOLERANCES NON-CUMULATIVE	DSN: R. UPCAVAGE	6/11/08	DRAWING NO:		
DECIMAL-INCH FRACTIONS	CHK: M. KALISH	6/11/08	SE133-068		
NEXT ASSEMBLY	ENGR: M. KALISH	6/11/08	SHEET 1 OF 1		
WELDING ENGINEER	SUPV: J. SIEGEL	6/11/08	REV 0		

RELEASE LEVEL: Fabrication  
DWG VERSION NO: 7

WEIGHT	1.8 lbs
MODEL NAME	SE133-068-8

NCSX-SE133-068