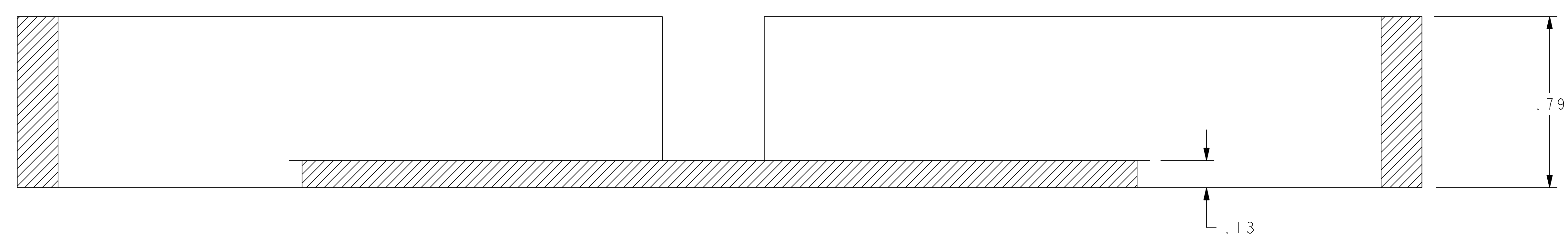
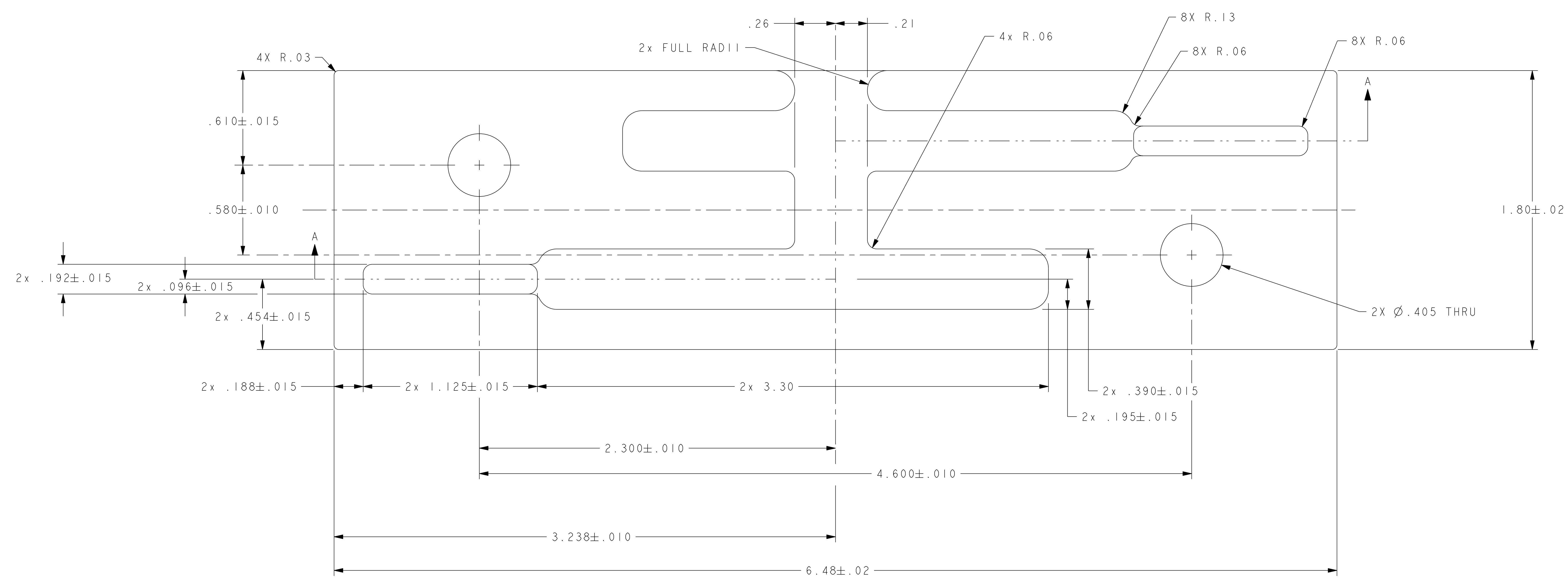
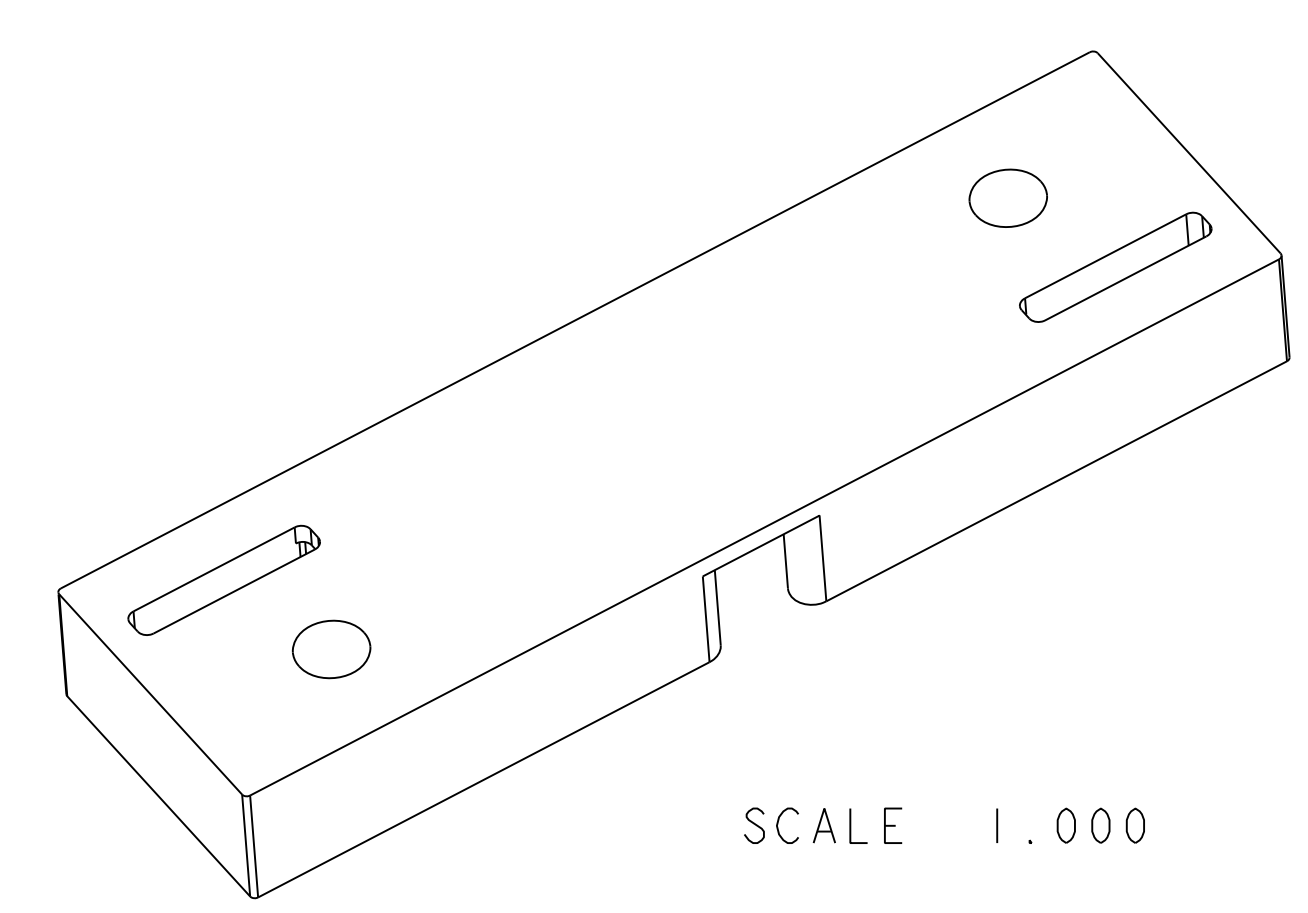
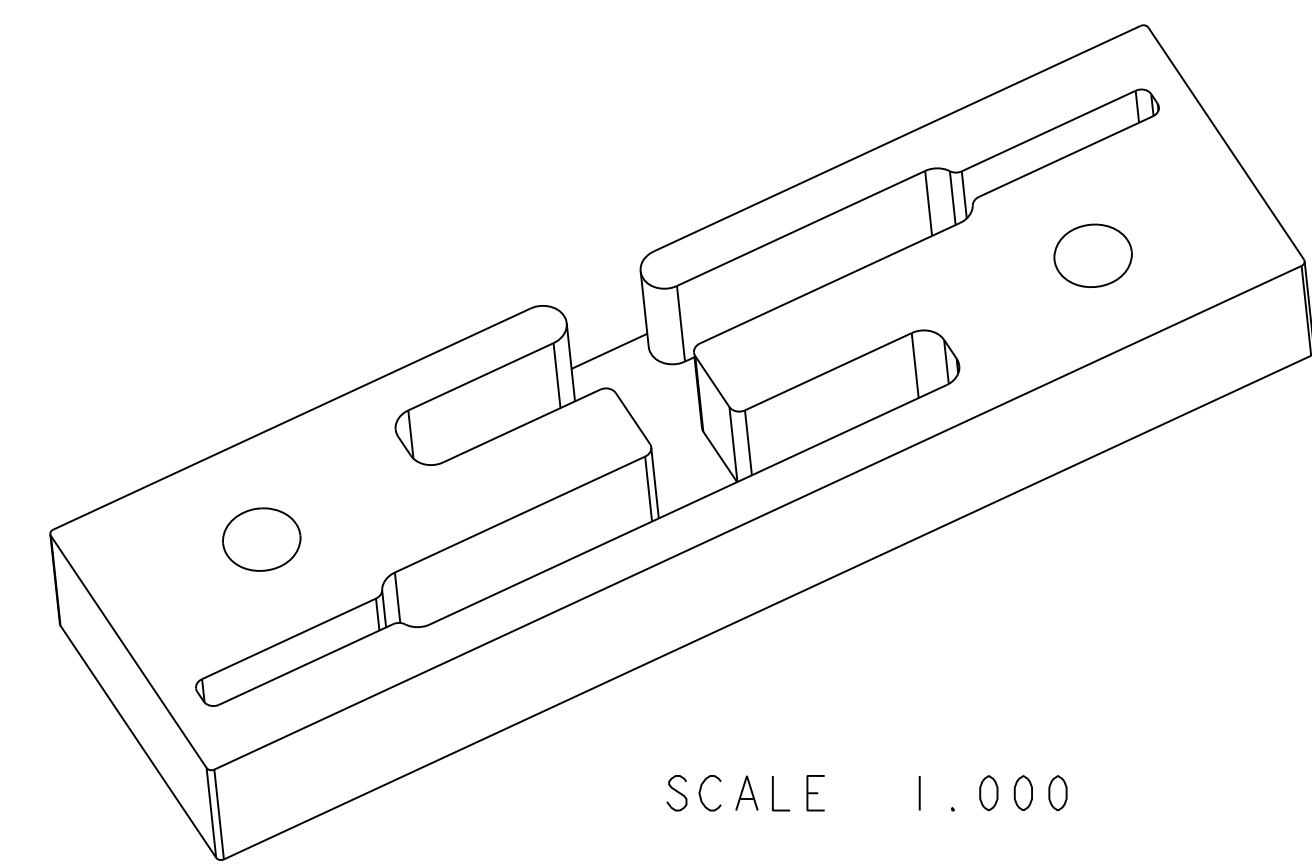


NO.	REVISION	BY	CH	SUP	APPROVED	DATE



SECTION A-A

PART NO.	SE133-069	COIL CONNECTION HOUSING	G10	48
DRAWING/MODEL NO.		NOMENCLATURE OR DESCRIPTION	MATERIAL	QTY REOD
PARTS LIST				
COMPUTER GENERATED DRAWING MANUAL CHANGES NOT PERMITTED	CENTRAL FILES:	PRINCETON PLASMA PHYSICS LABORATORY UNLESS OTHERWISE SPECIFIED		
Pro E	DIMENSIONS ARE IN INCHES MACHINE SURFACES	NATIONAL COMPACT STELLARATOR EXPERIMENT		
DO NOT VERIFY INFORMATION BY SCALING DRAWING	BREAK SHARP EDGES .005/.020	STELLARATOR CORE TRIM COILS		
WEIGHT	TOLERANCES NON-CUMULATIVE	DSN: R. UPCAVAGE	6/11/08	DRAWING NO:
6.7 lbs	DECIMAL-INCH FRACTIONS	CHK: M. KALISH	6/11/08	SE133-069
MODEL NAME	NEXT ASSEMBLY	ENGR: M. KALISH	6/11/08	
SE133-069		SUPV: J. SIEGEL	6/11/08	SHEET 1 OF 1
RELEASE LEVEL: Fabrication				REV 0.4
DWG VERSION NO: 10				

NCSX-SE133-069