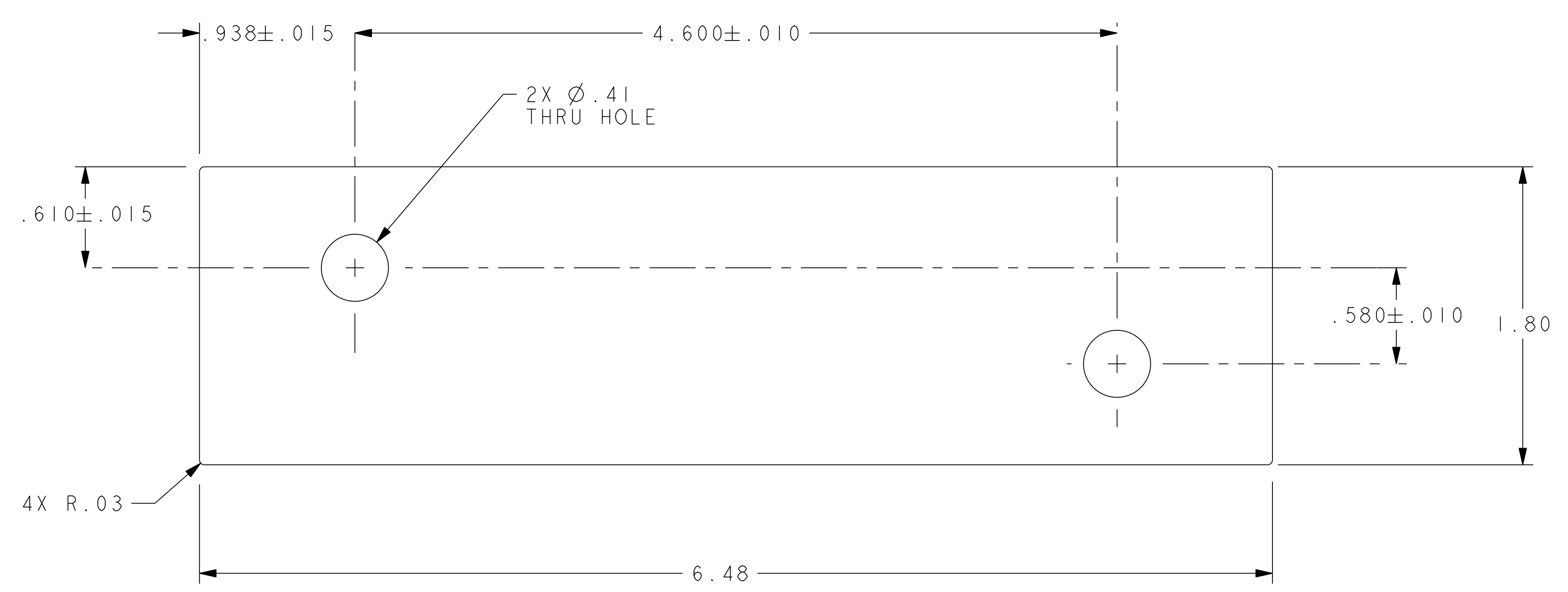
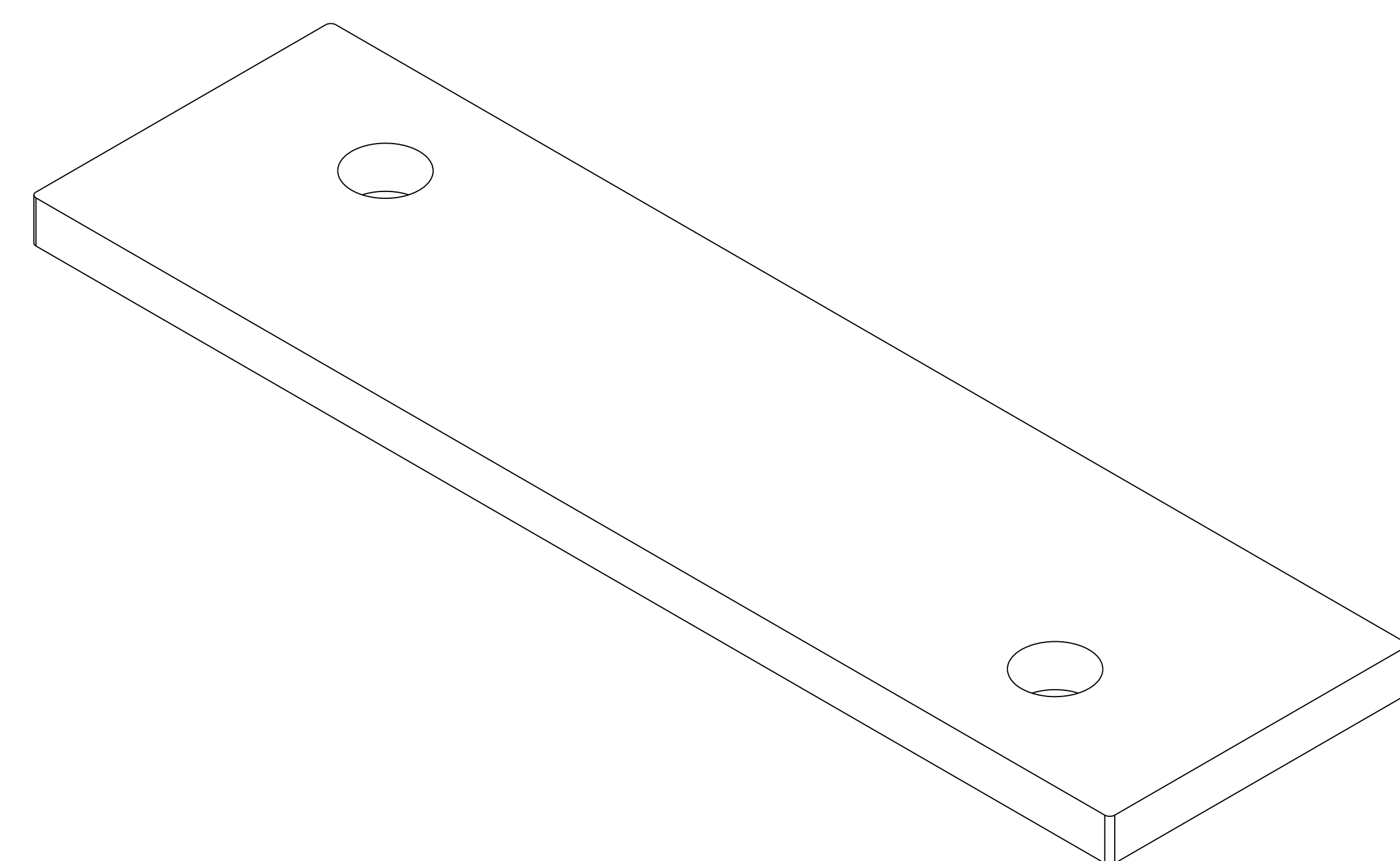


NO.	REVISION	BY	CH	SUP	APPROVED	DATE



1	SE133-070	COVER, COIL CONNECTION HOUSING	G10	48
PART NO.	DRAWING/MODEL NO	NOMENCLATURE OR DESCRIPTION	MATERIAL	QTY REOD
PARTS LIST				
COMPUTER GENERATED DRAWING DRAWING CHANGES NOT PERMITTED	CENTRAL FILES: UNLESS OTHERWISE SPECIFIED	PRINCETON PLASMA PHYSICS LABORATORY PRINCETON UNIVERSITY NATIONAL COMPACT STELLARATOR EXPERIMENT		
Pro E	DIMENSIONS ARE IN INCHES MACHINE SURFACES	STELLATOR CORE TRIM COILS COVER, COIL CONNECTION HOUSING		
DO NOT VERIFY INFORMATION BY SCALING DRAWING	BREAK SHARP EDGES .005/.020	TOLERANCES NON-CUMULATIVE	DSN: R. UPCA VAGE	DRAWING NO:
NEXT ASSEMBLY	DECIMAL-INCH FRACTIONS	CHK:	SE133-070	
WEIGHT	2.8 lbs	WELDING ENGINEER	ENGR: M. KALISH	SHEET 1 OF 1
MODEL NAME	SE133-070	REV 0.4	SUPV:	REV 0.4
RELEASE LEVEL: Fabrication	DWG VERSION NO: 10	NCSX-PART-FORMAT.E		

NCSX-SE133-070