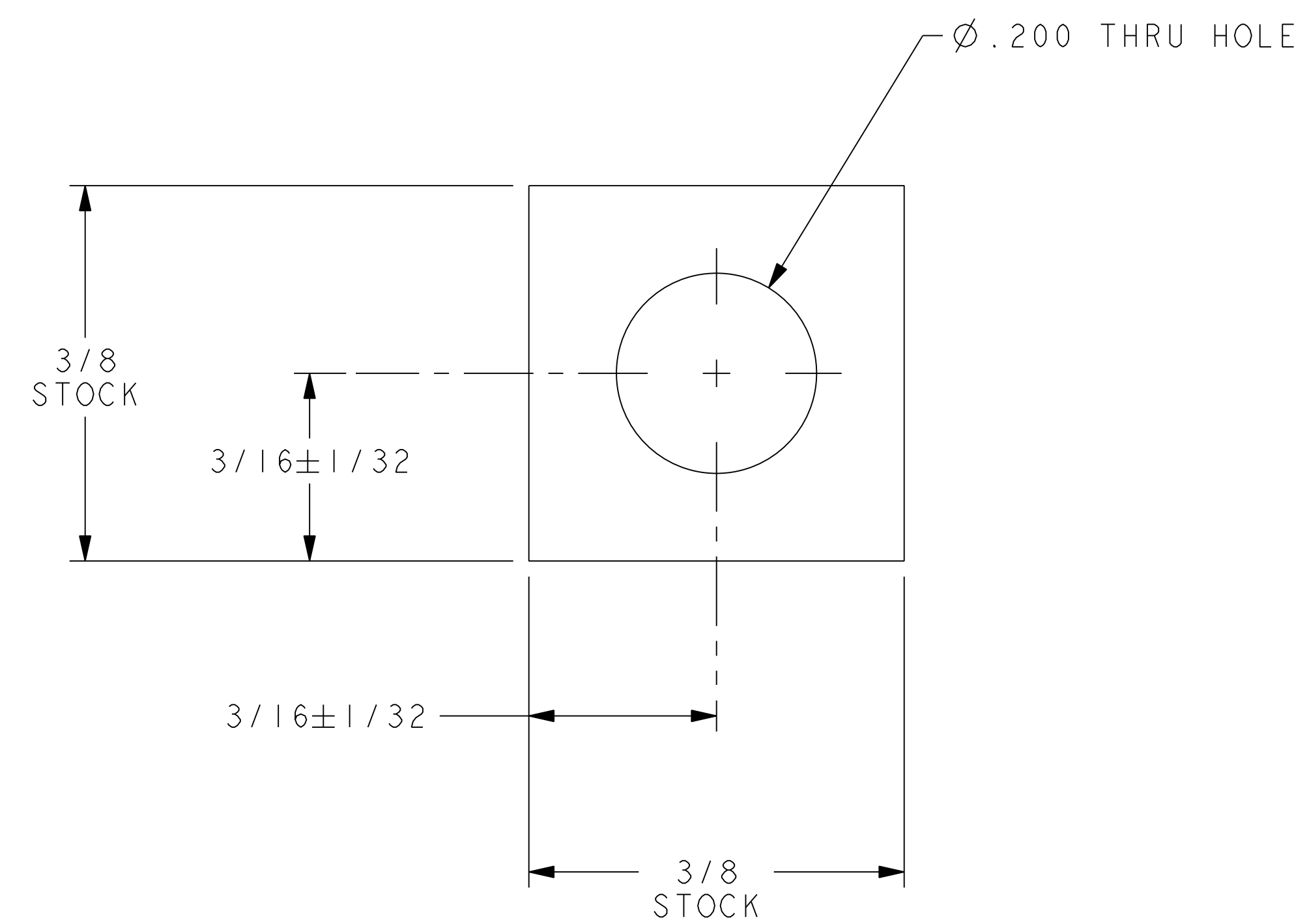
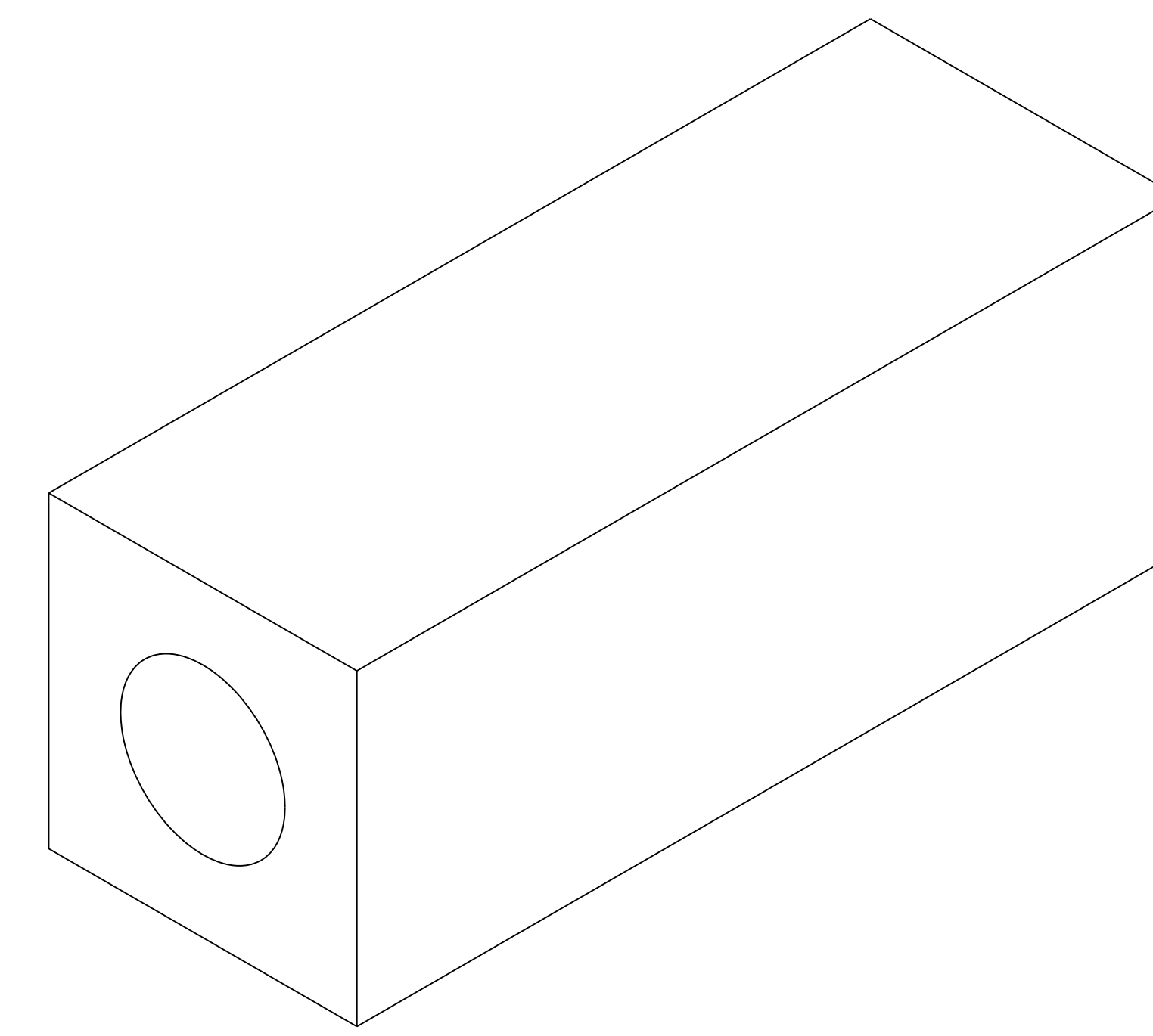


NO.	REVISION	BY	CH	SUP	APPROVED	DATE



PART NO.	DRAWING/MODEL NO	NOMENCLATURE OR DESCRIPTION	MATERIAL	QTY RECD
1	SE133-071	COIL TO WIRE CONNECTOR	SILICON BRONZE (DURIUM)	48

PARTS LIST

COMPUTER GENERATED DRAWING MANUAL CHANGES NOT PERMITTED Pro E	CENTRAL FILES: UNLESS OTHERWISE SPECIFIED	PRINCETON PLASMA PHYSICS LABORATORY PRINCETON UNIVERSITY	
DO NOT VERIFY INFORMATION BY SCALING DRAWING	DIMENSIONS ARE IN INCHES MACHINE SURFACES BREAK SHARP EDGES .005/.020	NATIONAL COMPACT STELLARATOR EXPERIMENT STELLARATOR CORE TRIM COILS COIL TO WIRE CONNECTION	
WEIGHT 0.1 lbs	TOLERANCES NON-CUMULATIVE	DSN: R. UPCAVALG	6/11/08
MODEL NAME SE133-071	DECIMAL-INCH FRACTIONS	CHK: M. KALISH	6/11/08
WELDING ENGINEER	NEXT ASSEMBLY	ENGR: M. KALISH	6/11/08
		SUPV: J. SIEGEL	6/11/08

DRAWING NO: **SE133-071**

RELEASE LEVEL: Fabrication				
DWG VERSION NO: 9				

SHEET 1 OF 1	REV 0.5
--------------	---------

NCSX-SE133-071