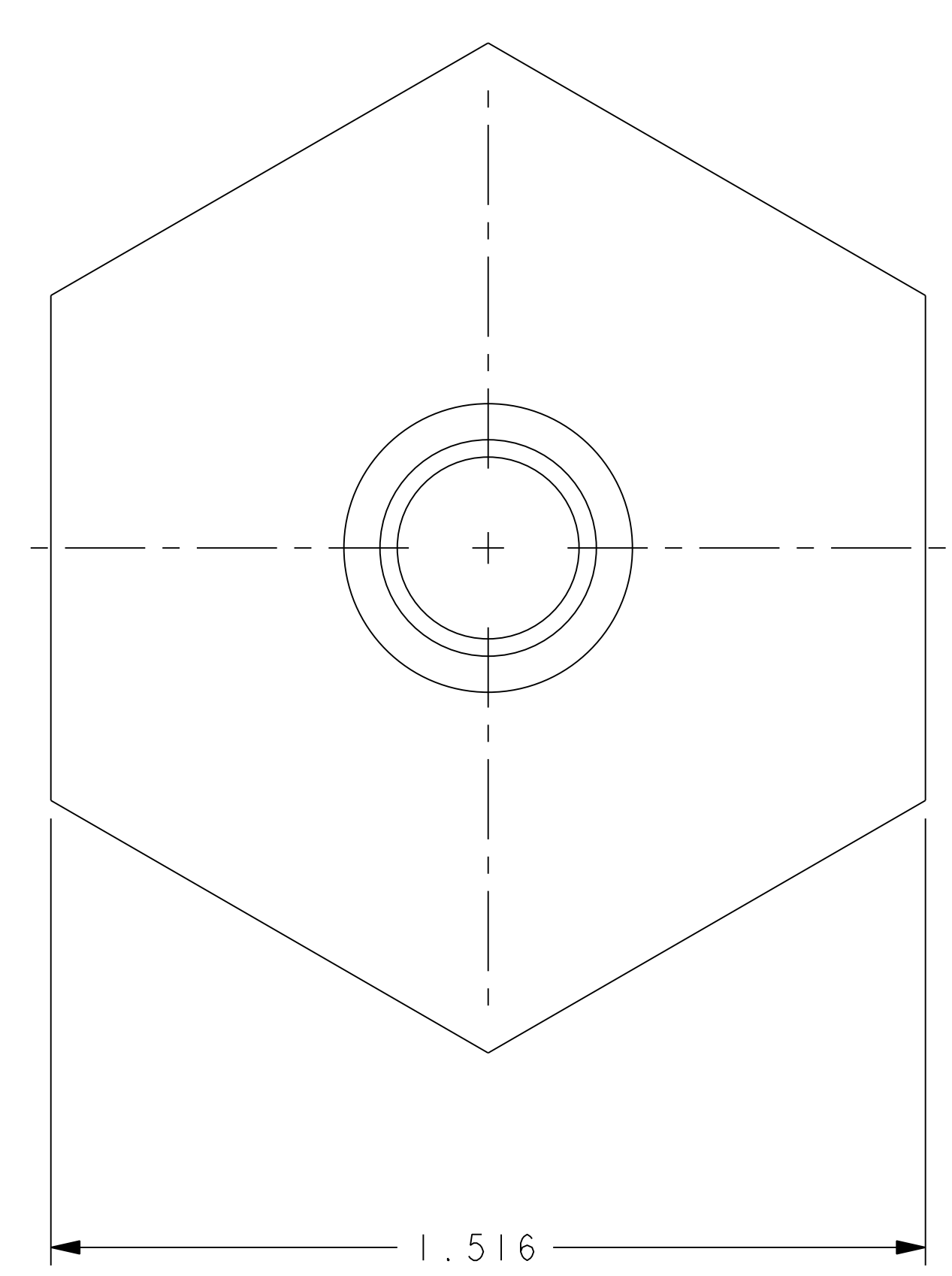
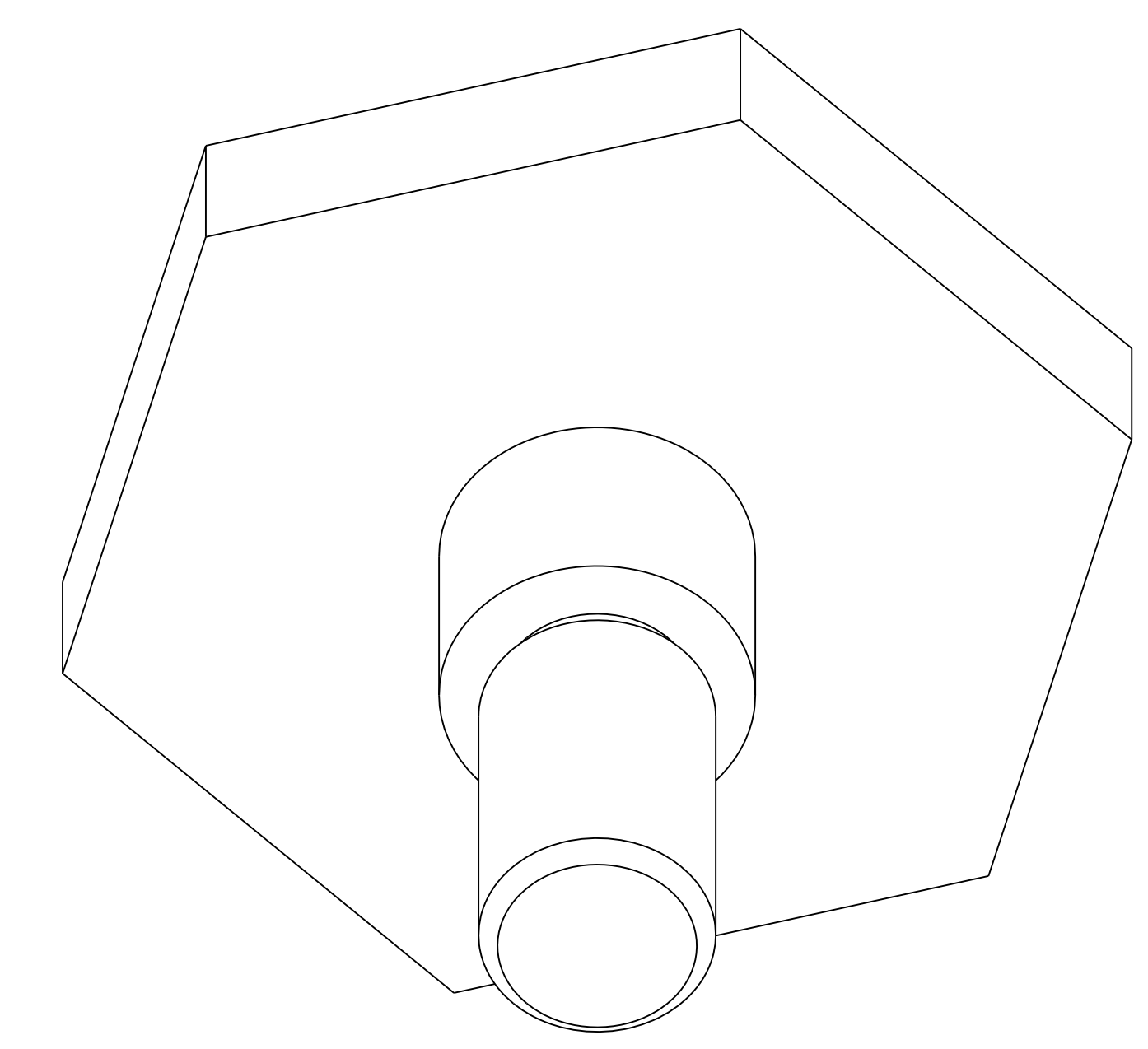
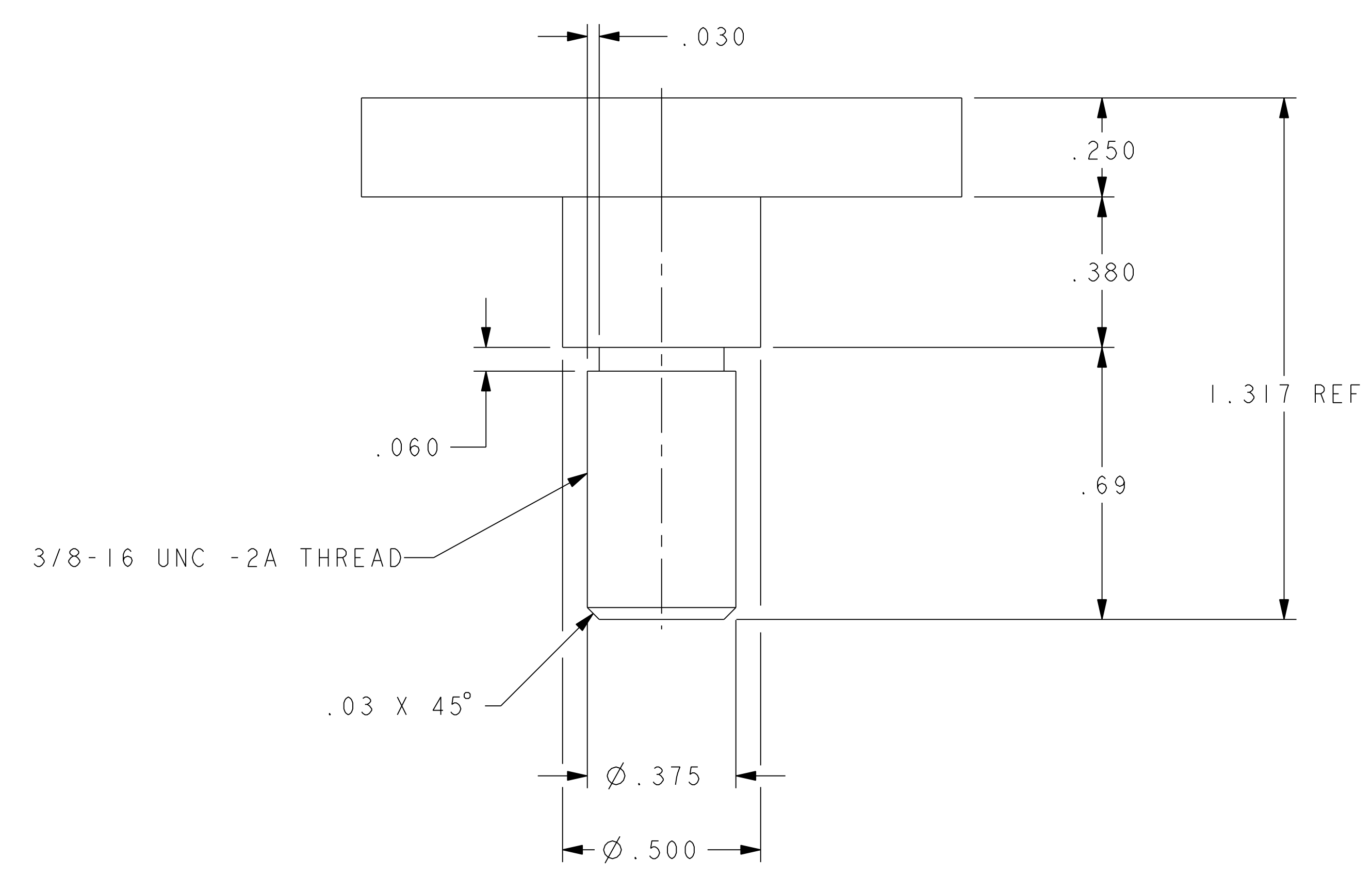


NO.	REVISION	BY	CH	SUP	APPROVED	DATE



NOTES:
1. MATERIAL: INCONEL 625, COLD ROLLED 20% REDUCTION, 110 KSI YIELD.

PART NO.	SE133-074	BRACKET SUPPORT	INCONEL 625	48
	DRAWING/MODEL NO	NOMENCLATURE OR DESCRIPTION	MATERIAL	QTY REOD
PARTS LIST				
COMPUTER GENERATED DRAWING MANUAL CHANGES NOT PERMITTED Pro E	CENTRAL FILES: UNLESS OTHERWISE SPECIFIED	PRINCETON PLASMA PHYSICS LABORATORY NATIONAL COMPACT STELLARATOR EXPERIMENT		
DO NOT VERIFY INFORMATION BY SCALING DRAWING	DIMENSIONS ARE IN INCHES MACHINE SURFACES BREAK SHARP EDGES .005/.020	STELLARATOR CORE TRIM COILS BRACKET SUPPORT		
WEIGHT 0.8 lbs	TOLERANCES NON-CUMULATIVE	DSN: R. UPCAVALG	6/11/08	DRAWING NO:
MODEL NAME SE133-074	DECIMAL-INCH FRACTIONS	CHK: M. KALISH	6/11/08	SE133-074
WELDING ENGINEER	NEXT ASSEMBLY	ENGR: M. KALISH	6/11/08	
		SUPV: J. SIEGEL	6/11/08	SHEET 1 OF 1 REV 0.5

RELEASE LEVEL: Fabrication
DWG VERSION NO: 8

NCSX-SE133-074