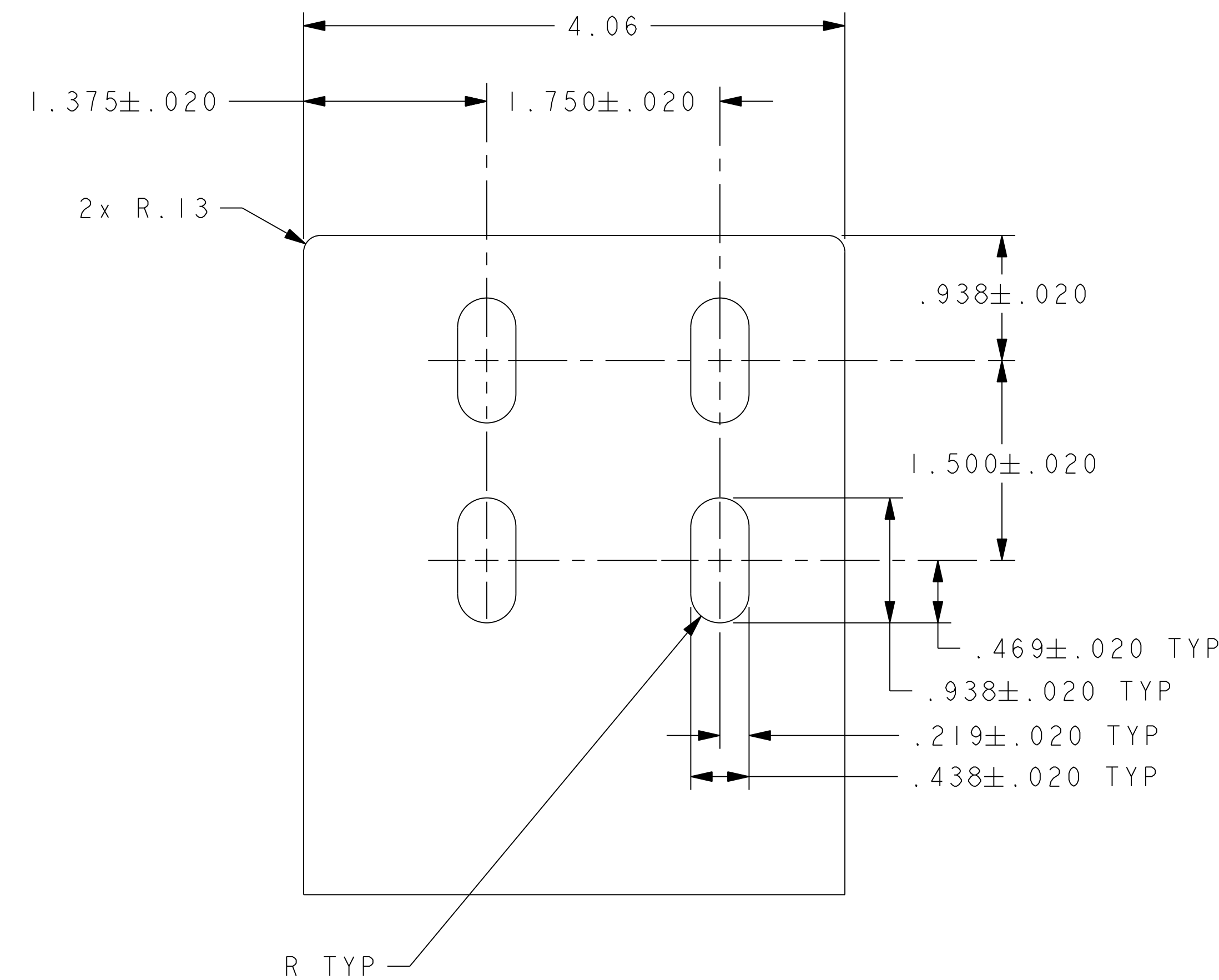
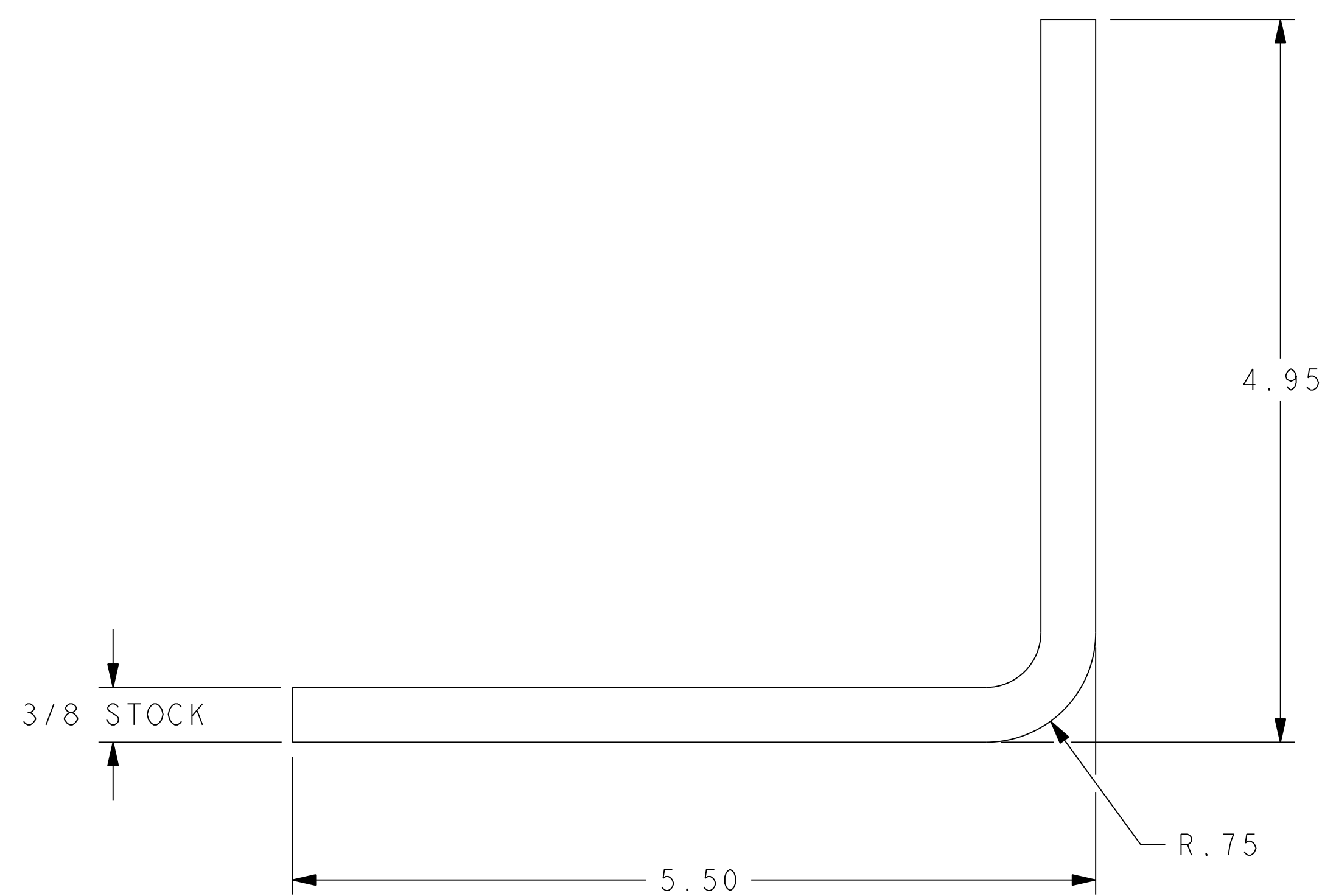
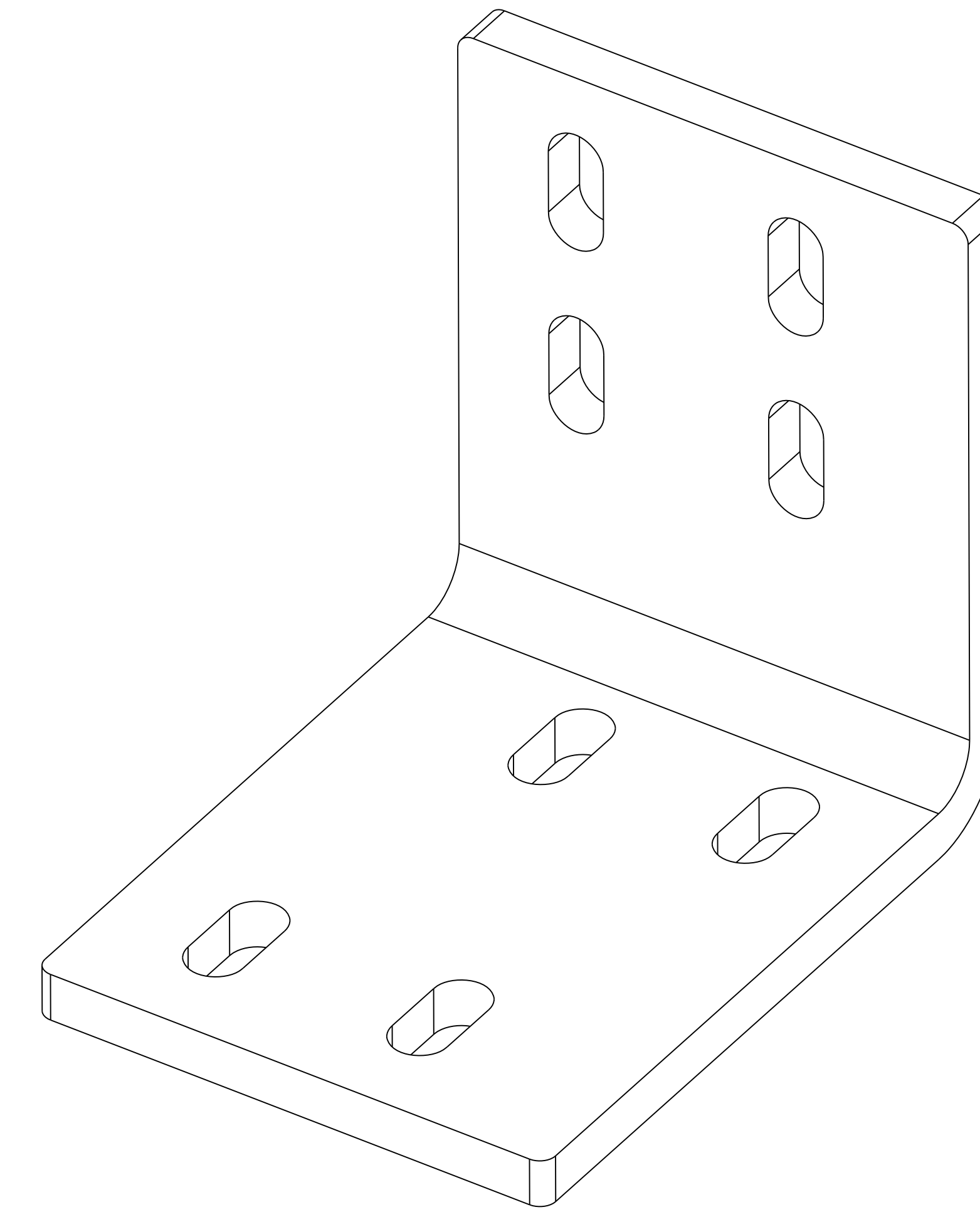
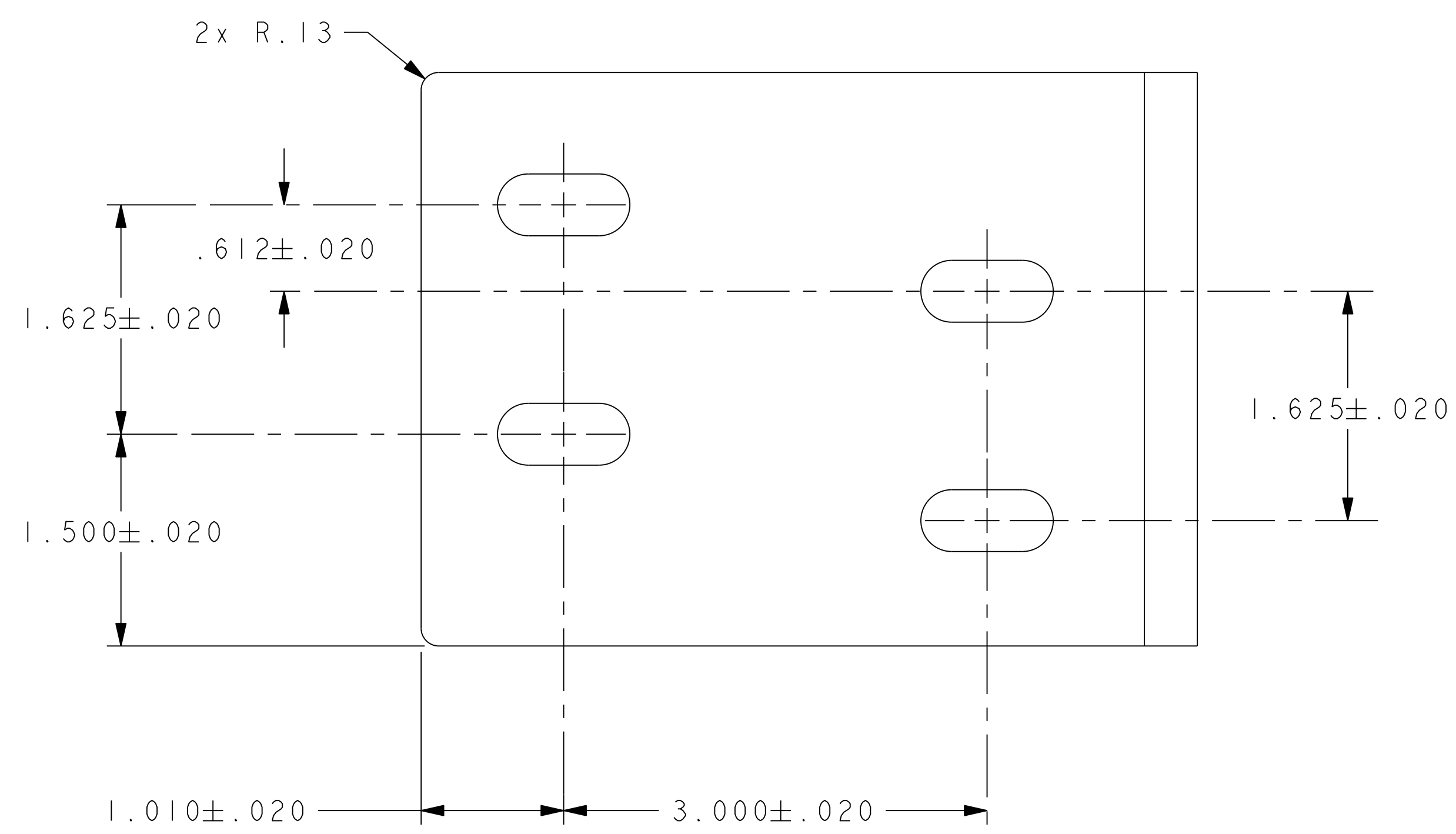


NO.	REVISION	BY	CH	SUP	APPROVED	DATE



NOTES:
 1. MATERIAL: INCONEL 625, COLD ROLLED 20% REDUCTION, 110 KSI YIELD.

1	SE133-086	TRIM COIL BRACKET #5, LOWER LEFT	INCONEL 625	1
PART NO.	DRAWING/MODEL NO	NOMENCLATURE OR DESCRIPTION	MATERIAL	QTY RECD
PARTS LIST				
COMPUTER GENERATED DRAWING MANUAL CHANGES NOT PERMITTED Pro E		CENTRAL FILES: UNLESS OTHERWISE SPECIFIED	PRINCETON PLASMA PHYSICS LABORATORY PRINCETON UNIVERSITY NATIONAL COMPACT STELLARATOR EXPERIMENT	
DO NOT VERIFY INFORMATION BY SCALING DRAWING		DIMENSIONS ARE IN INCHES MACHINE SURFACES BREAK SHARP EDGES .005/.020	STELLARATOR CORE TRIM COILS TRIM COIL BRACKET #5, LOWER LEFT	
NEXT ASSEMBLY		TOLERANCES NON-CUMULATIVE DECIMAL-INCH FRACTIONS .X ±.010 0°-12° ±.1314 .XX ±.030 12°-72° ±.118 .XXX ±.005 72°-120° ±.114 ANGULAR ±.0°-15° OVER 120° ±.112	DSN: R. UPCAVALAGE 6/12/08	DRAWING NO: SE133-086
WEIGHT 4.0 lbs		ENGR: M. KALISH 6/12/08	SHEET 1 OF 1 REV 0	
MODEL NAME SE133-086		SUPV: J. SIEGEL 6/12/08		
RELEASE LEVEL: Fabrication DWG VERSION NO: 5				

NCSX-SE133-086