

# BriskHeat®



## **TPO Series** **Portable Time Percentage Dial** **Temperature Controller**

### Instruction Manual



Read and understand this material before operating or servicing this temperature controller. Failure to understand how to safely operate this controller could result in an accident causing serious injury or death. This controller should only be operated by qualified personnel.

**TABLE OF CONTENTS**

Introduction..... 2  
 Safety Alert Symbol..... 2  
 Important Safety Instructions..... 3  
 Specifications..... 4  
 Product Drawings and Dimensions..... 5  
 Installation / Operation Instructions..... 6  
 Troubleshooting Guide..... 7  
 Warranty..... BACK

**INTRODUCTION**

The BriskHeat® TP0 Series Percentage Controller is a manually adjustable control which provides continuously variable selection of average heater power ranging from 5% to 100%. The controller varies the proportion of “off” and “on” time of the heater power. Thermal characteristics of the heated item will determine the setting of the manually adjustable controller knob.

The controller does not use a temperature sensor and therefore **satisfactory operation requires occasional supervision under changing load conditions.**

**SAFETY ALERT SYMBOL**



The symbol above is used to call your attention to instructions concerning your personal safety. It points out important safety precautions. It means **“ATTENTION! Become Alert! Your Personal Safety is involved!”** Read the message that follows and be alert to the possibility of personal injury or death.



Immediate hazards which WILL result in severe personal injury or death



Hazards or unsafe practices which COULD result in severe personal injury or death



Hazards or unsafe practices which COULD result in minor personal injury or property damage.

**SAVE THESE INSTRUCTIONS!**

Additional copies of this manual are available upon request.

**IMPORTANT SAFETY INSTRUCTIONS**



**⚠ DANGER**

A person who has not read and understood all installation instructions is not qualified to install this product.

**⚠ DANGER**

- Do not immerse controller in liquid.
- Keep volatile or combustible material away from controller when in use.
- Use controller only in approved locations.
- Keep sharp metal objects away from controller.

Failure to observe these warnings may result in electric shock, risk of fire, and personal injury.

**⚠ WARNING**

**End-User Must Comply to the Following:**

- Only qualified personnel are allowed to connect electrical wiring.
- All electrical wiring must follow local electrical codes and highly recommend following NEC Article 427.
- Final installation / wiring is to be inspected by the authority who has jurisdiction in the area that the heater and temperature controller is installed.
- The end-user is responsible for providing a suitable disconnecting device.
- The end-user is responsible for providing suitable electrical protection device. It is highly recommended that a ground fault circuit breaker is used.

Failure to observe these warnings may result in personal injury or damage to the controller.

**⚠ WARNING**

The controller does not use a temperature sensor and therefore **satisfactory operation requires occasional supervision under changing load conditions.**

**⚠ CAUTION**

- Inspect all components before use.
- Do not use control and heater if any component is damaged.
- Do not repair damaged or faulty controller.
- Do not crush or apply severe physical stress on any component of controller, including cord assembly.
- Unplug controller when not in use.
- Unplug controller before fuse is changed.

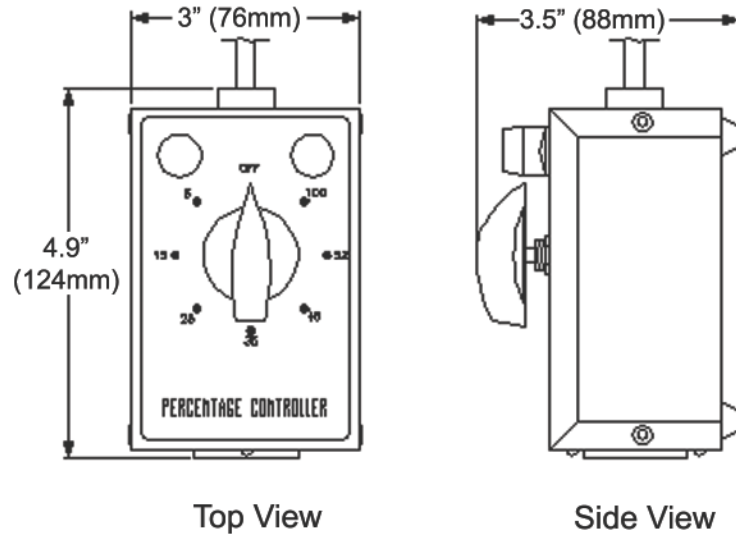
Failure to observe these warnings may result in personal injury or damage to the controller.

**SPECIFICATIONS**

- 120 or 240VAC
- 15 Amp Fuse
- Maximum controller exposure temperatures: -40 to 160°F (-40 to 71°C)
- Range: 5 to 100%
- Enclosure: Cast Aluminum table model with rubber feet. For indoor use.
- Input power cord 6 feet (1.8m) long with standard plug
  - 120VAC: NEMA 5-15
  - 240VAC: NEMA 6-15
- Output Receptacle
  - 120VAC: NEMA 5-15R
  - 240VAC: NEMA 6-15R

Part Number	Volts	Amps	Range
TP0941-000	120	15	5 to 100%
TP0942-000	240	15	5 to 100%

**PRODUCT DRAWINGS AND DIMENSIONS**



Top View

Side View

## INSTALLATION / OPERATION INSTRUCTIONS

### **⚠ WARNING**

Read and understand this entire manual before operating this controller.

**VOLTAGE:  
120VAC; 240VAC**

### **⚠ CAUTION**

TP0 portable time percentage dial temperature controllers are designed for temporary use applications and must be monitored while in operation.

#### **Step 1:**

Plug heater into the controller's output receptacle.

#### **Step 2:**

Plug the controller into an approved power source using the input power cord.

#### **Step 3:**

Rotate controller knob to the percentage set-point which will produce the desired temperature (see *Note A*).

*Note A:*

*The time percentage dial controller varies the proportion (length) of time the heater is in the "on" or "off" heating mode. The heating application will determine the actual percentage set-point required.*

#### **Step 4:**

Continue to monitor the controllers performance while in use (see *Note B*).

*Note B:*

*The controller does not use a temperature sensor and therefore satisfactory operation requires occasional supervision under changing load conditions.*

## TROUBLESHOOTING GUIDE

Please read this guide prior to contacting BriskHeat®. This guide is designed to answer the most commonly asked questions. If you are unable to identify the problem or need additional assistance, please contact your local distributor / representative or us at **1-800-848-7673**, **614-294-3376**, or **bhtsales1@briskheat.com**.

### **Controller does not function**

#### **1. Check fuse:**

Unplug the unit from its power source. Remove the fuse located under cap on front of controller and check its continuity. If the fuse is defective, replace it with an ABC 15 amp fuse. Fuses may be obtained from most electrical supply houses.

#### **2. Check heater:**

Unplug heater from controller and check for continuity. Replace heater if there is no continuity.

#### **3. Check power source:**

Using a voltmeter, test the power source and assure correct voltage is present.

## WARRANTY INFORMATION

BriskHeat® warrants to the original purchaser for the period of eighteen (18) months from date of shipment or twelve (12) months from date of installation, whichever comes first. Contact factory at 1-800-848-7673 (toll free, U.S. / Canada) or 614-294-3376 for complete details.

# BriskHeat®

BH Thermal® Corporation/ Home of BriskHeat® Products  
1055 Gibbard Ave, Columbus, OH 43201

Toll Free: 800-848-7673      Phone: 614-294-3376      Fax: 614-294-2672  
Email: [bhtsales1@briskheat.com](mailto:bhtsales1@briskheat.com)      Web site: [www.briskheat.com](http://www.briskheat.com)