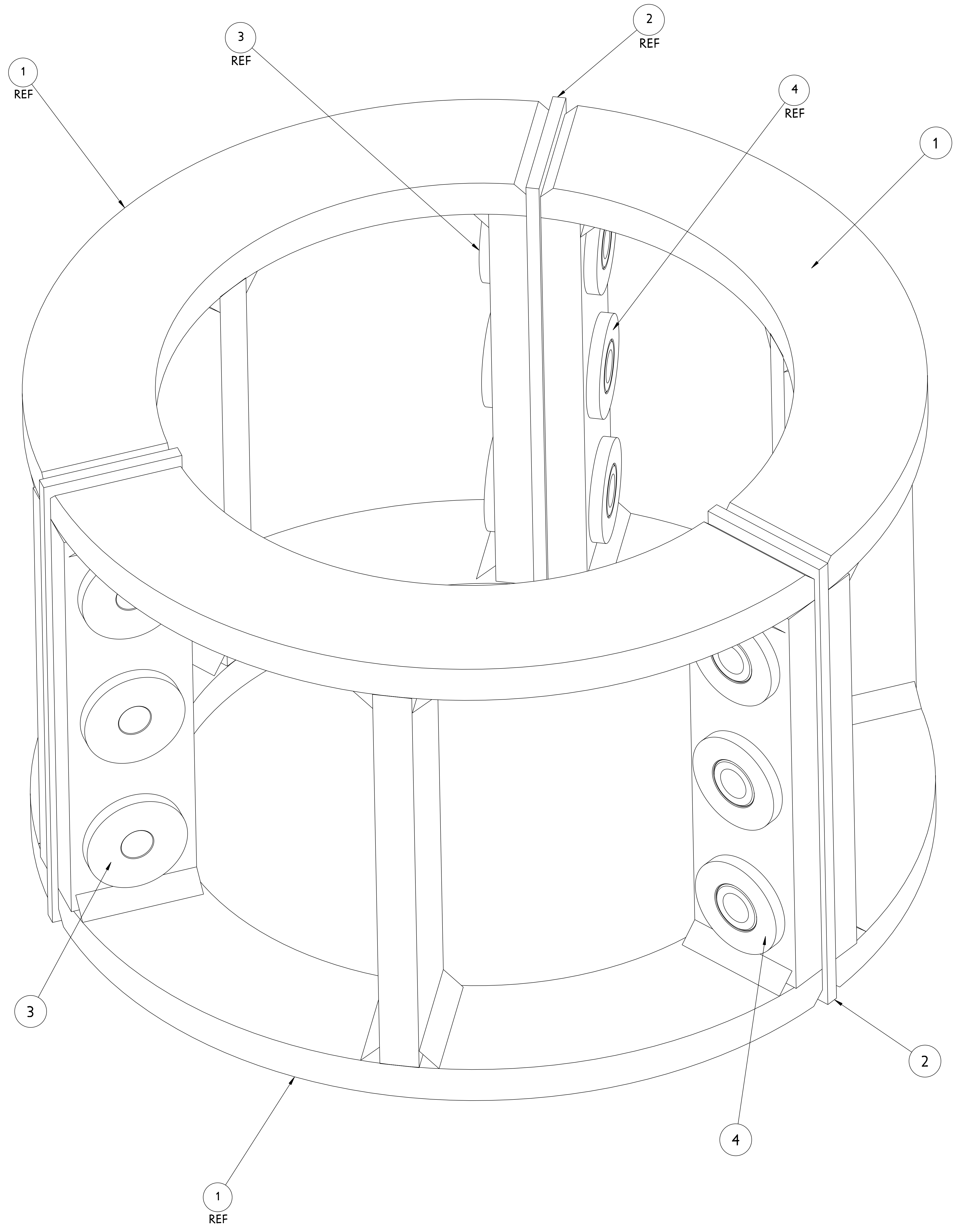


NO.	REVISION	BY	CH	SUP	APPROVED	DATE



**NOTE**

INTERPRET DIMENSIONS AND TOLERANCES PER ANSI Y14.5  
 DIMENSIONS ARE IN INCHES UNLESS OTHERWISE INDICATED.  
 DRAWING DEPICTS FINAL MACHINED STATE OF ASSEMBLY.  
 MANUFACTURING TO DETERMINE MATERIAL ALLOWANCES  
 REQUIRED TO ACHIEVE FINAL MACHINED STATE.

**REFERENCE DRAWINGS**

- SE132-211 SUPPORT SEGMENT WELDMENT
- SE132-230 SUPPORT PART DETAILS
- SE132-235 CENTER SUPPORT INSULATION DETAILS

PART NO.	DRAWING NO	NOMENCLATURE OR DESCRIPTION	MATERIAL	QTY RECD
4	SE132-235-3	INSULATING FLAT WASHER FOR 1" OD BUSHING	G11-CR	9
3	SE132-235-2	FLANGED INSULATING BUSHING FOR 5/8 BOLT	G11-CR	9
2	SE132-235-1	CENTER SOLENOID CENTER SUPPORT INSULATING PLATE	G11-CR	3
1	SE132-211	CENTER SOLENOID CENTER SUPPORT SEGMENT ASSEMBLY	SEE DETAILS	3

**PARTS LIST**

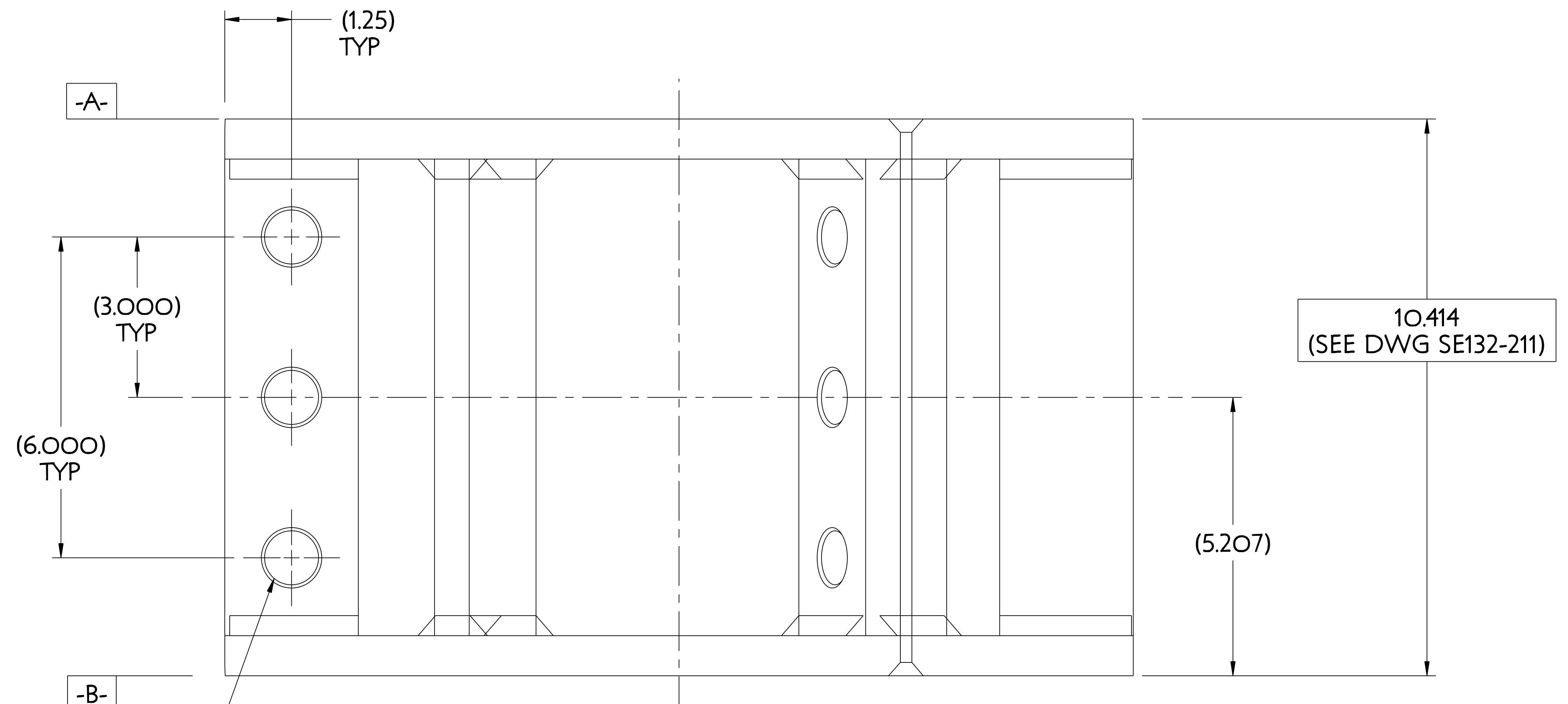
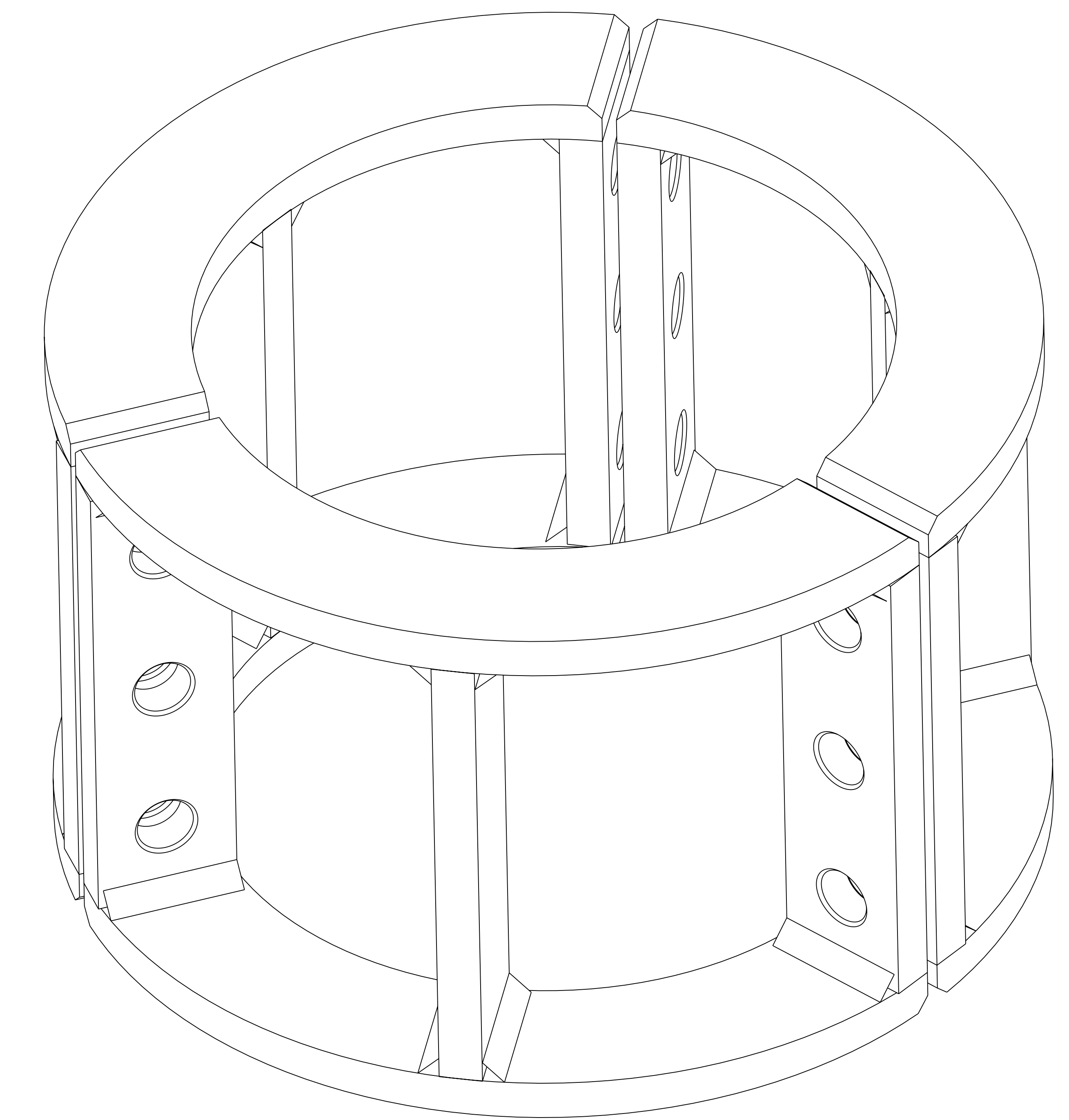
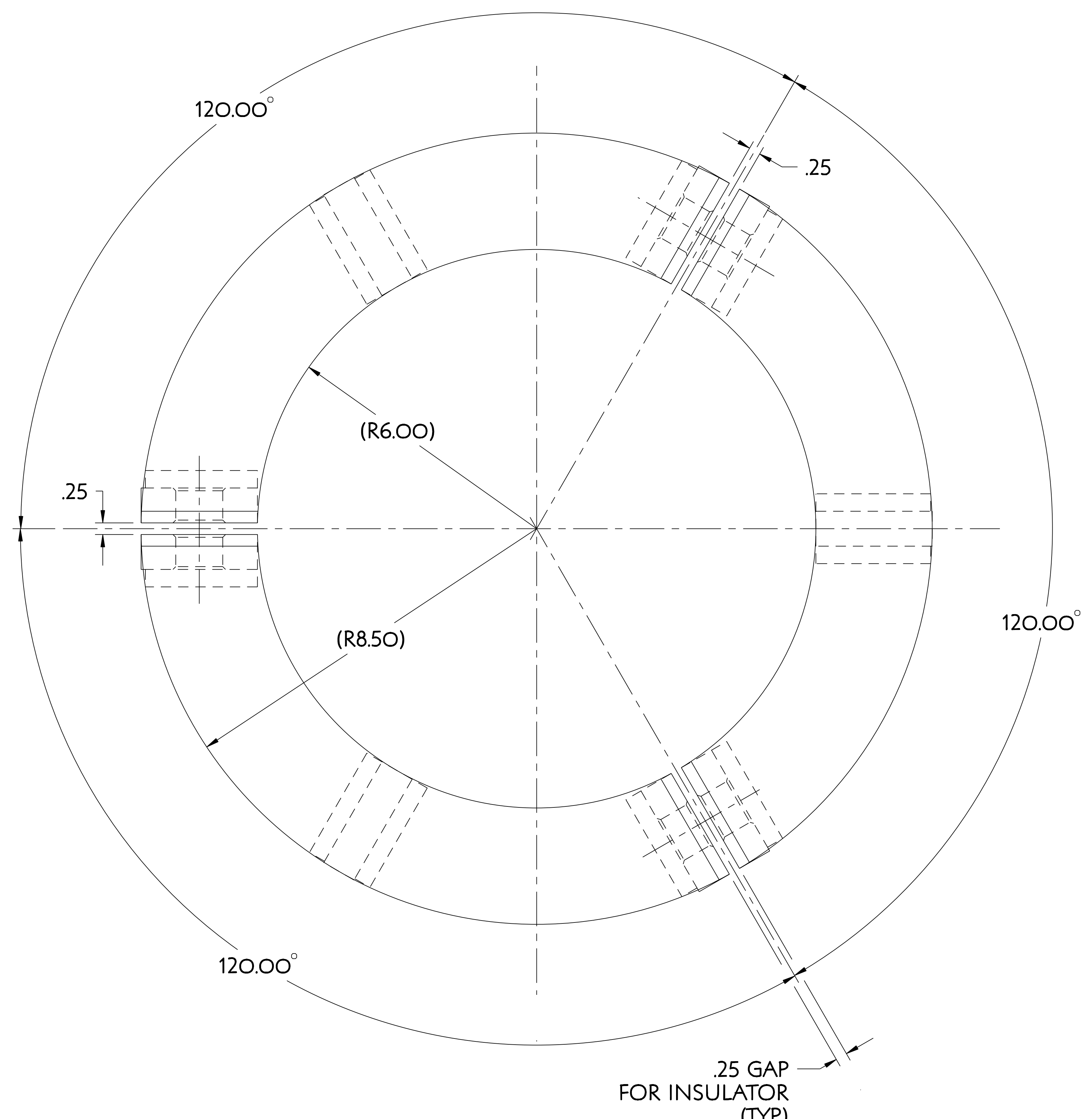
COMPUTER GENERATED DRAWING MANUAL CHANGES NOT PERMITTED Pro E	CENTRAL FILES: UNLESS OTHERWISE SPECIFIED DIMENSIONS ARE IN INCHES MACHINE SURFACES UNLESS OTHERWISE SPECIFIED BREAK SHARP EDGES .005/.020	PRINCETON PLASMA PHYSICS LABORATORY PRINCETON UNIVERSITY <b>NATIONAL COMPACT STELLARATOR EXPERIMENT</b> STELLARATOR CORE CONVENTIONAL COILS CENTER SOLENOID CENTER SUPPORT ASSEMBLY	
DO NOT VERIFY INFORMATION BY SCALING DRAWING	TOLERANCES NON-CUMULATIVE	DSN: J. RUSHINSKI	DRAWING NO:
NEXT ASSEMBLY	DECIMAL-INCH FRACTIONS	CHK: ENGR. F. DAHLGREN	<b>SE132-204</b>
	.XX +/- .030 .XXX +/- .005 ANGULAR +/- .015	ENGR: F. DAHLGREN	SHEET 1 OF 2
		SUPV:	REV. D. 14

**RELEASE LEVEL: WIP**  
**DWG VERSION NO: 8**

WELDING  
ENGINEER

NCSX-SE132-204

NO.	REVISION	BY	CH	SUP	APPROVED	DATE



AT MANUFACTURERS DISCRETION HOLES MAY BE DRILLED AT THIS ASSEMBLY LEVEL TO ENSURE ALIGNMENT OF SEGMENTS (SEE REF DRAWINGS SE132-230 & SE132-211)

RELEASE LEVEL: WIP  
DWG VERSION NO: 8

WEIGHT  
91.8 lbs  
MODEL NAME  
SE132-204  
WELDING  
ENGINEER

PART NO.	DRAWING NO	NOMENCLATURE OR DESCRIPTION	MATERIAL	QTY RECD
PARTS LIST				
COMPUTER GENERATED DRAWING MANUAL CHANGES NOT PERMITTED		CENTRAL FILES: UNLESS OTHERWISE SPECIFIED	PRINCETON PLASMA PHYSICS LABORATORY PRINCETON UNIVERSITY	
Pro E		DIMENSIONS ARE IN INCHES MACHINE SURFACES	<b>NATIONAL COMPACT STELLARATOR EXPERIMENT</b>	
DO NOT VERIFY INFORMATION BY SCALING DRAWING		BREAK SHARP EDGES .005/.020	STELLARATOR CORE CONVENTIONAL COILS CNTR SOLENOID CENTER SUPPORT ASSEMBLY	
SCALE 0.750		TOLERANCES NON-CUMULATIVE	DSN: J. RUSHINSKI	DRAWING NO:
NEXT ASSEMBLY		DECIMAL-INCH FRACTIONS	CHK: ENGR: F. DAHLGREN	<b>SE132-204</b>
		.XX +/- .000 0°-12° +/- .010		
		.XX +/- .030 12°-12° +/- .010		
		.XX +/- .005 12°-120° +/- .010		
		ANGULAR +/- .0°-15° OVER 120° +/- .1°		
			SUPV:	SHEET 2 OF 2 REV 0

NCSX-SE132-204