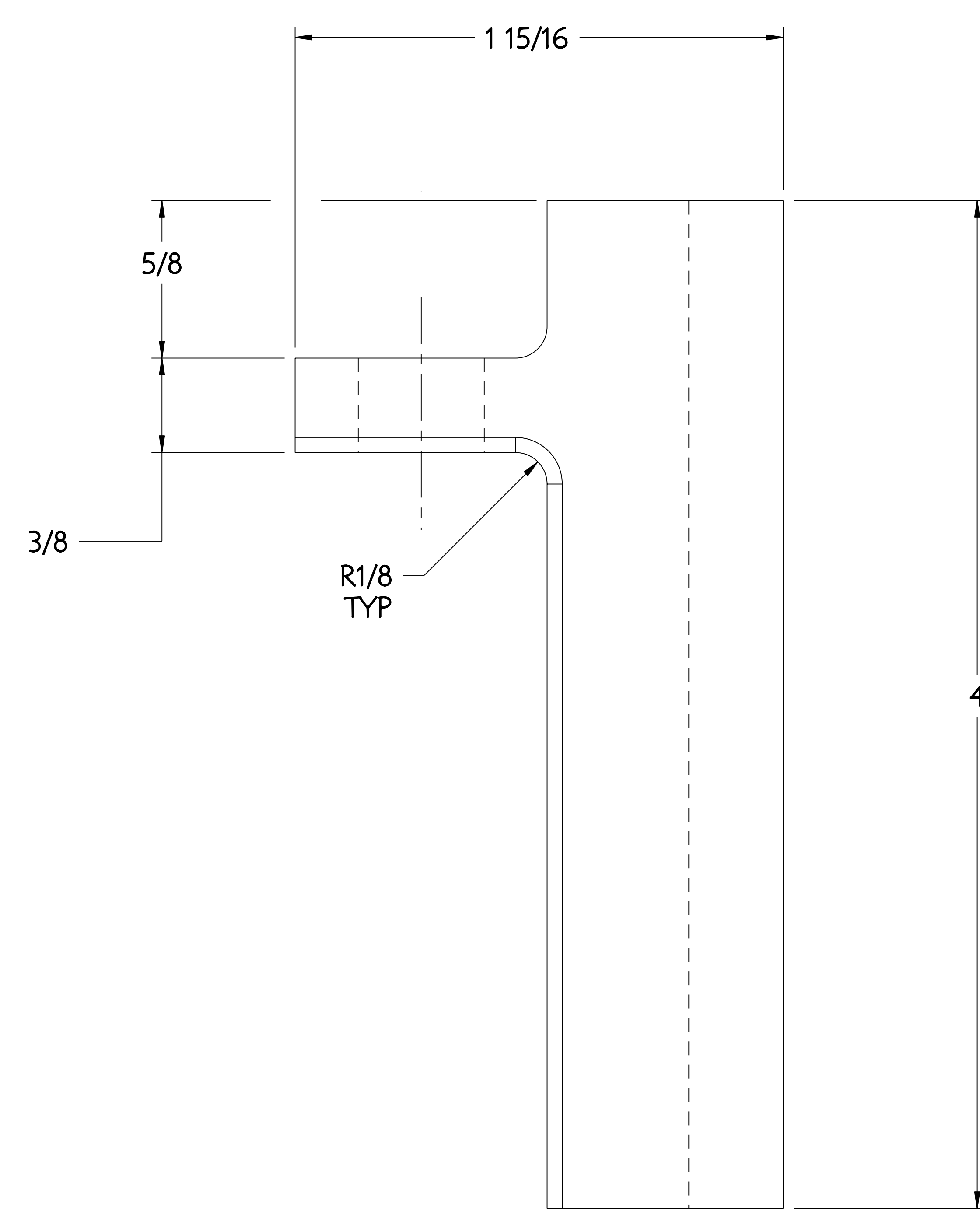
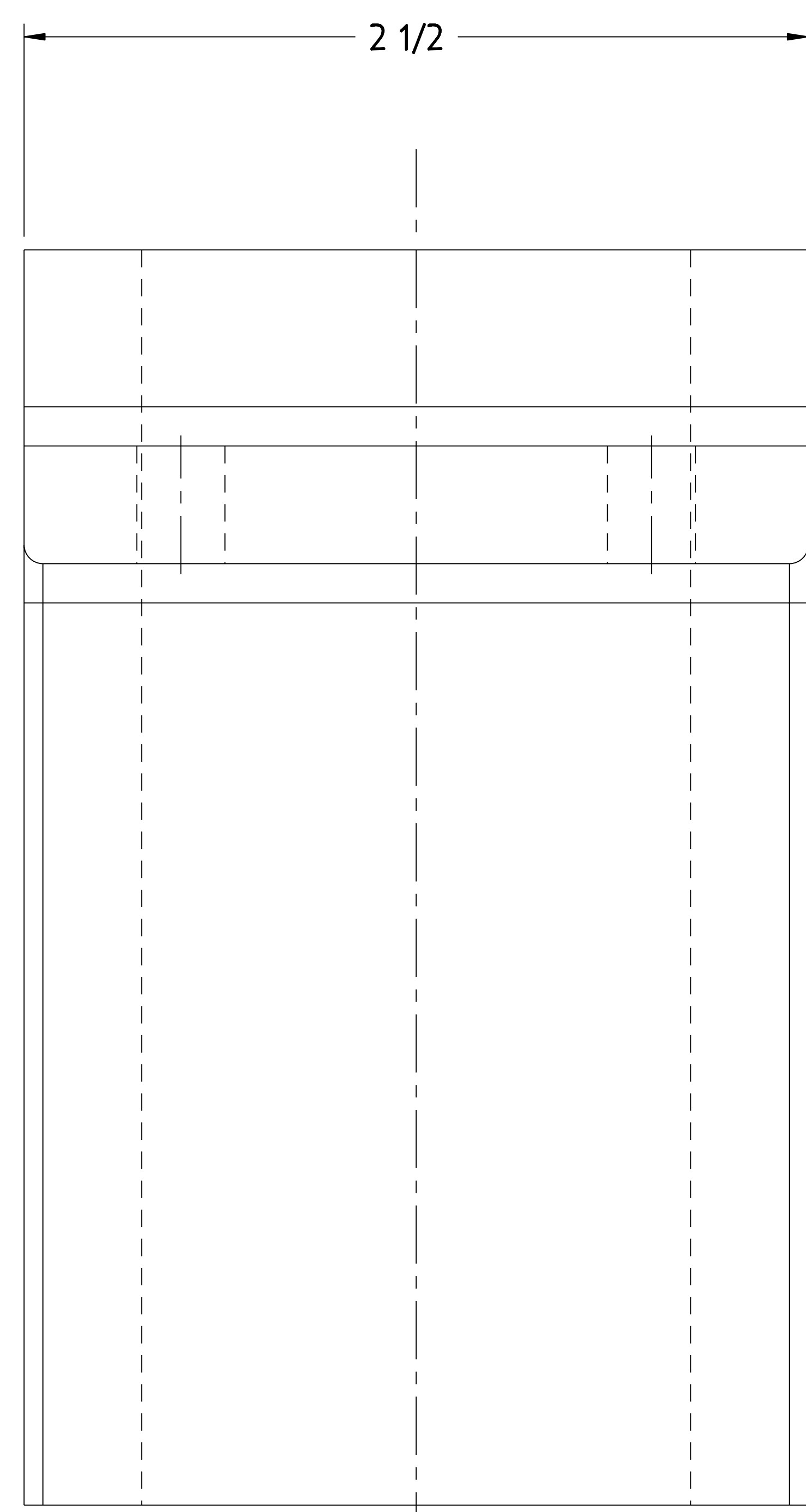
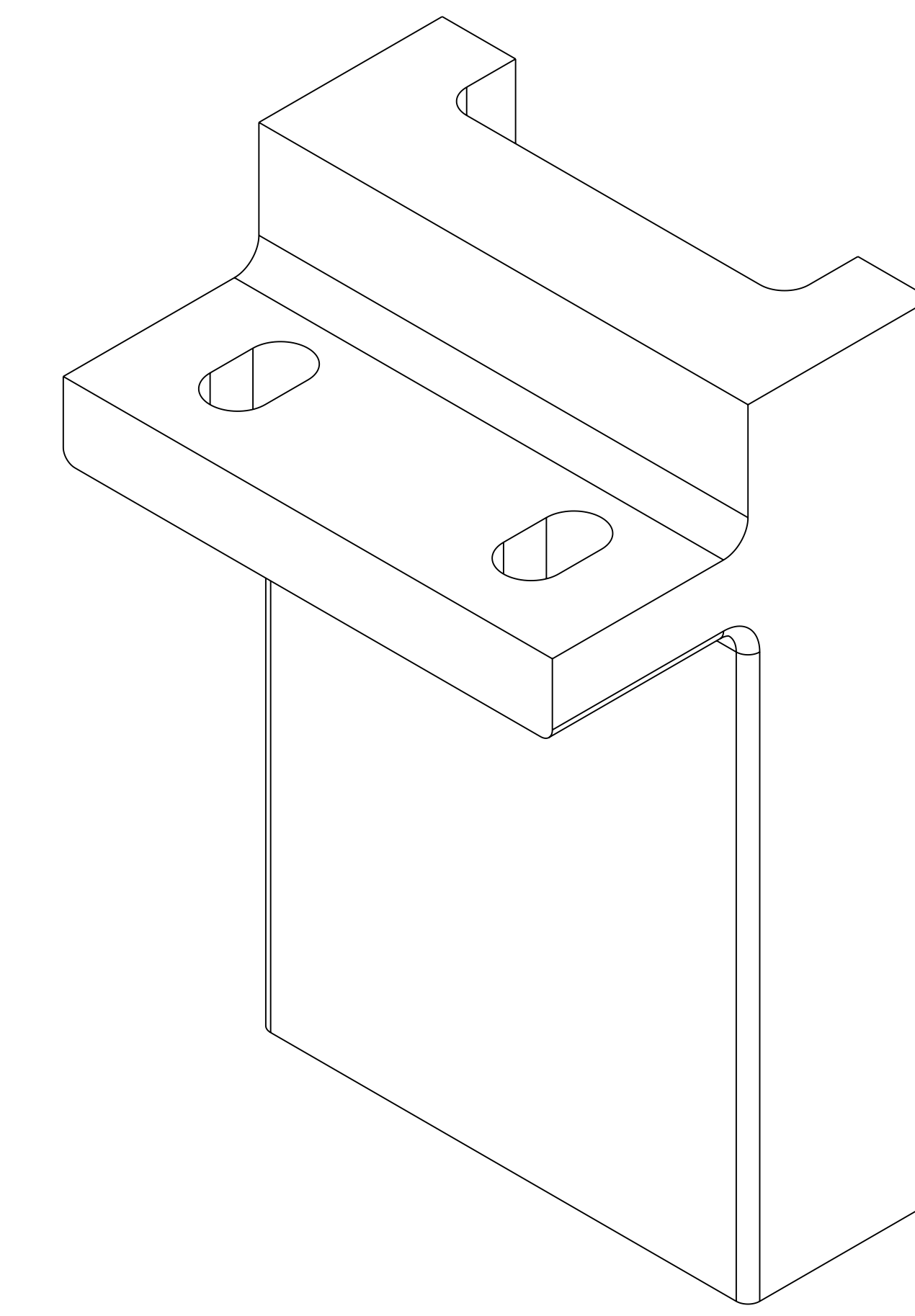
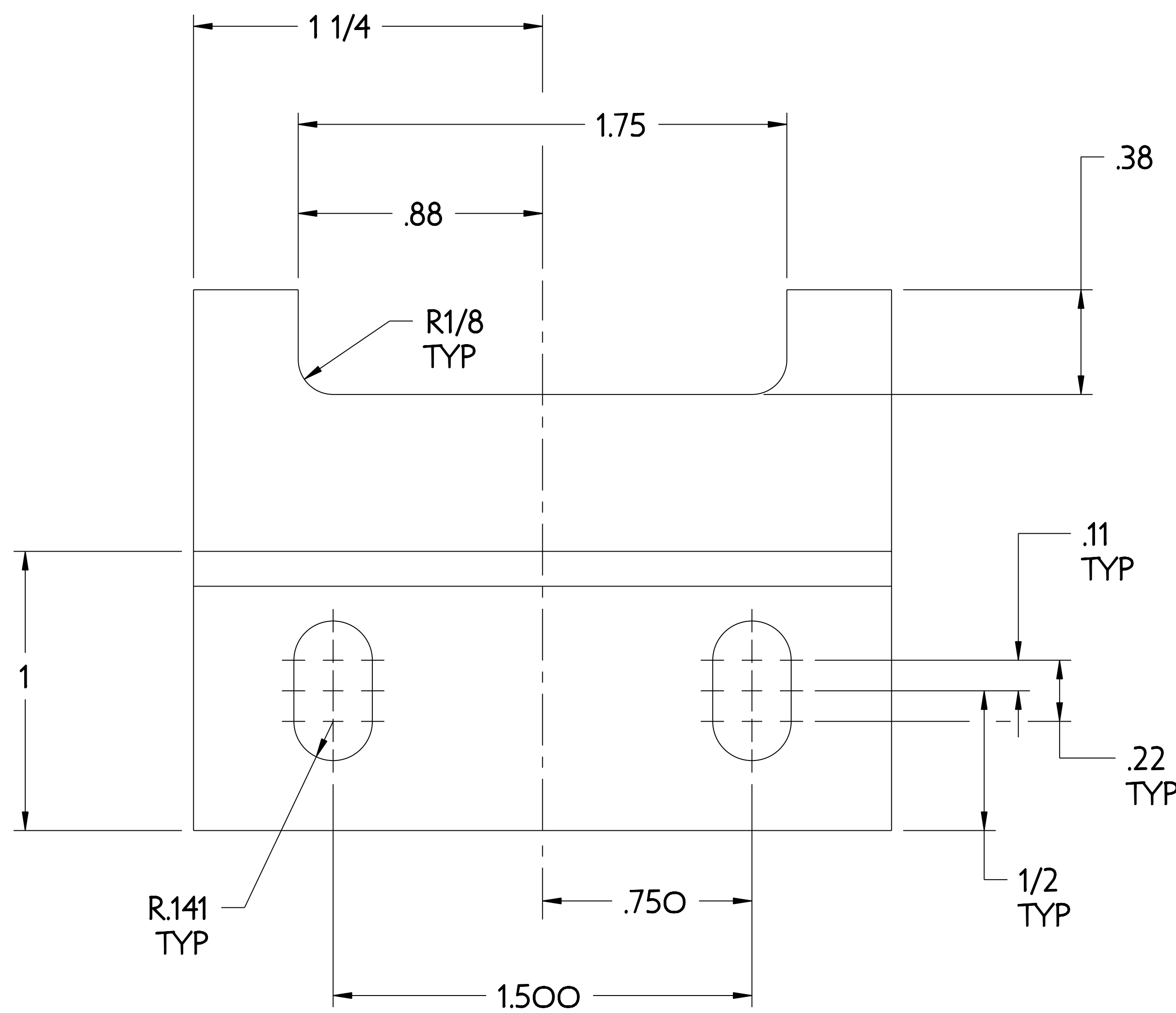


NO.	REVISION	BY	CH	SUP	APPROVED	DATE



COMPUTER GENERATED DRAWING MANUAL CHANGES NOT PERMITTED		CENTRAL FILES: UNLESS OTHERWISE SPECIFIED	PRINCETON PLASMA PHYSICS LABORATORY PRINCETON UNIVERSITY	
DO NOT VERIFY INFORMATION BY SCALING DRAWING		DIMENSIONS ARE IN INCHES MACHINE SURFACES	NATIONAL COMPACT STELLARATOR EXPERIMENT	
SCALE 3000		TOLERANCES NON-CUMULATIVE	STELLARATOR CORE CONVENTIONAL COILS	
NEXT ASSEMBLY		DECIMAL-INCH FRACTIONS	CENTER SOLENOID PFIA COIL LEADS LOCKING CLAMP	
WEIGHT 0.5 lbs		DSN: J. RUSHINSKI	DRAWING NO: SE132-229	
MODEL NAME SE132-229		CHK: ENGR: F. DAHLGREN	SHEET 1 OF 1 REV 0	
RELEASE LEVEL: WIP DWG VERSION NO: 1		PARTS LIST		
PART NO.	DRAWING NO	NOMENCLATURE OR DESCRIPTION	MATERIAL	QTY RECD
I	SE132-229	CENTER SOLENOID PFIA COIL LEAD LOCKING CLAMP	G11-CR	

NCSX-SE132-229

NCSX-PART-FORMAT.E