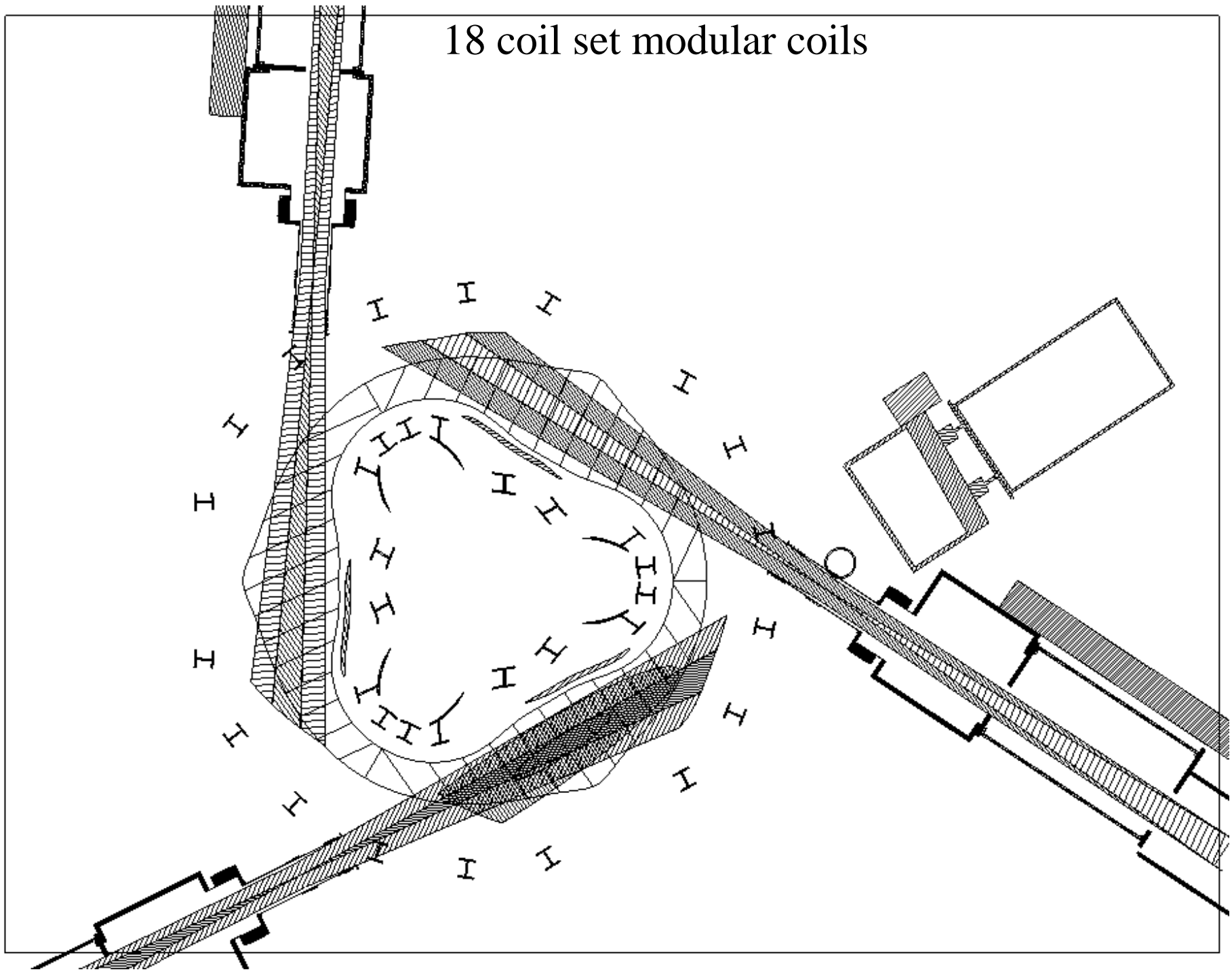
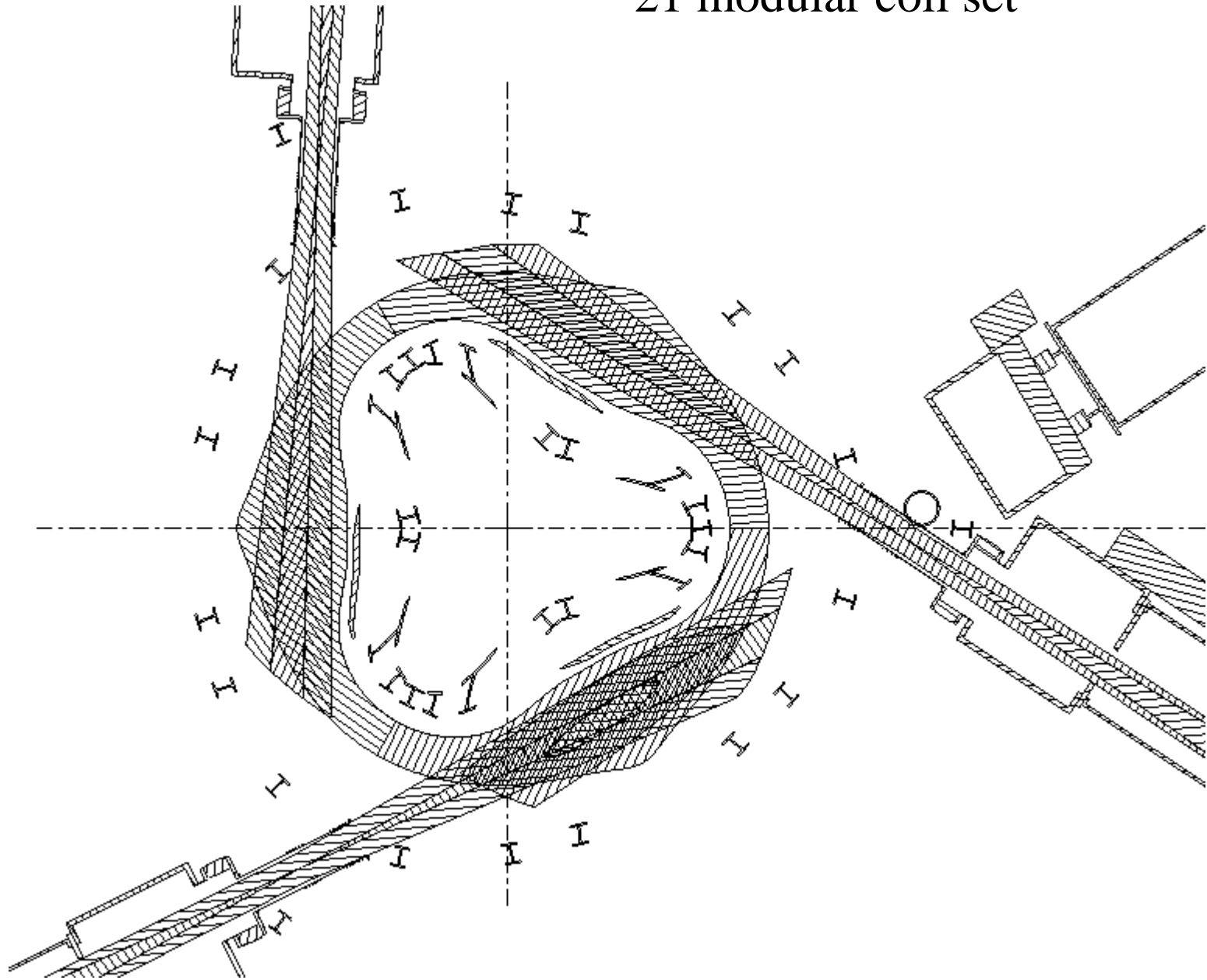


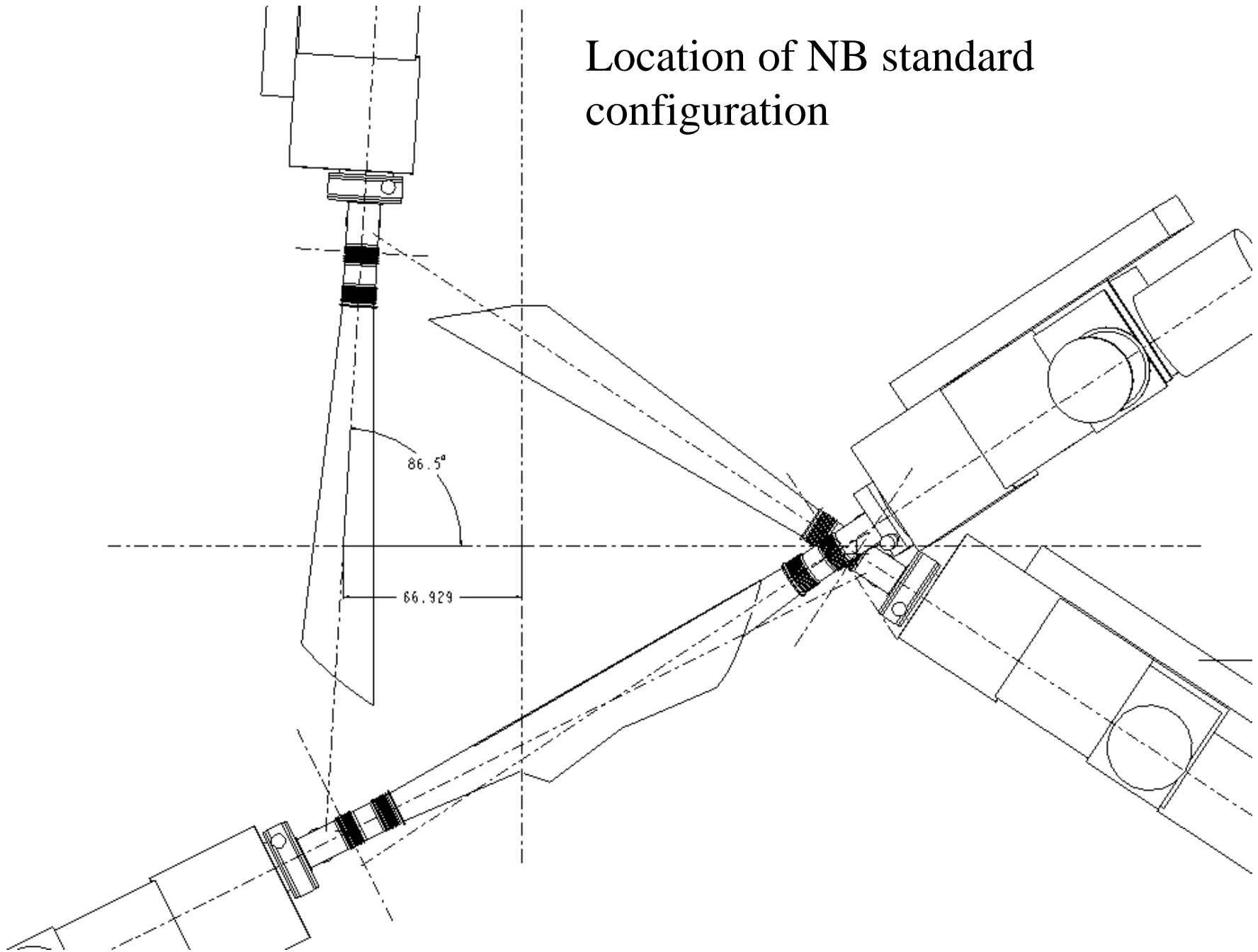
18 coil set modular coils



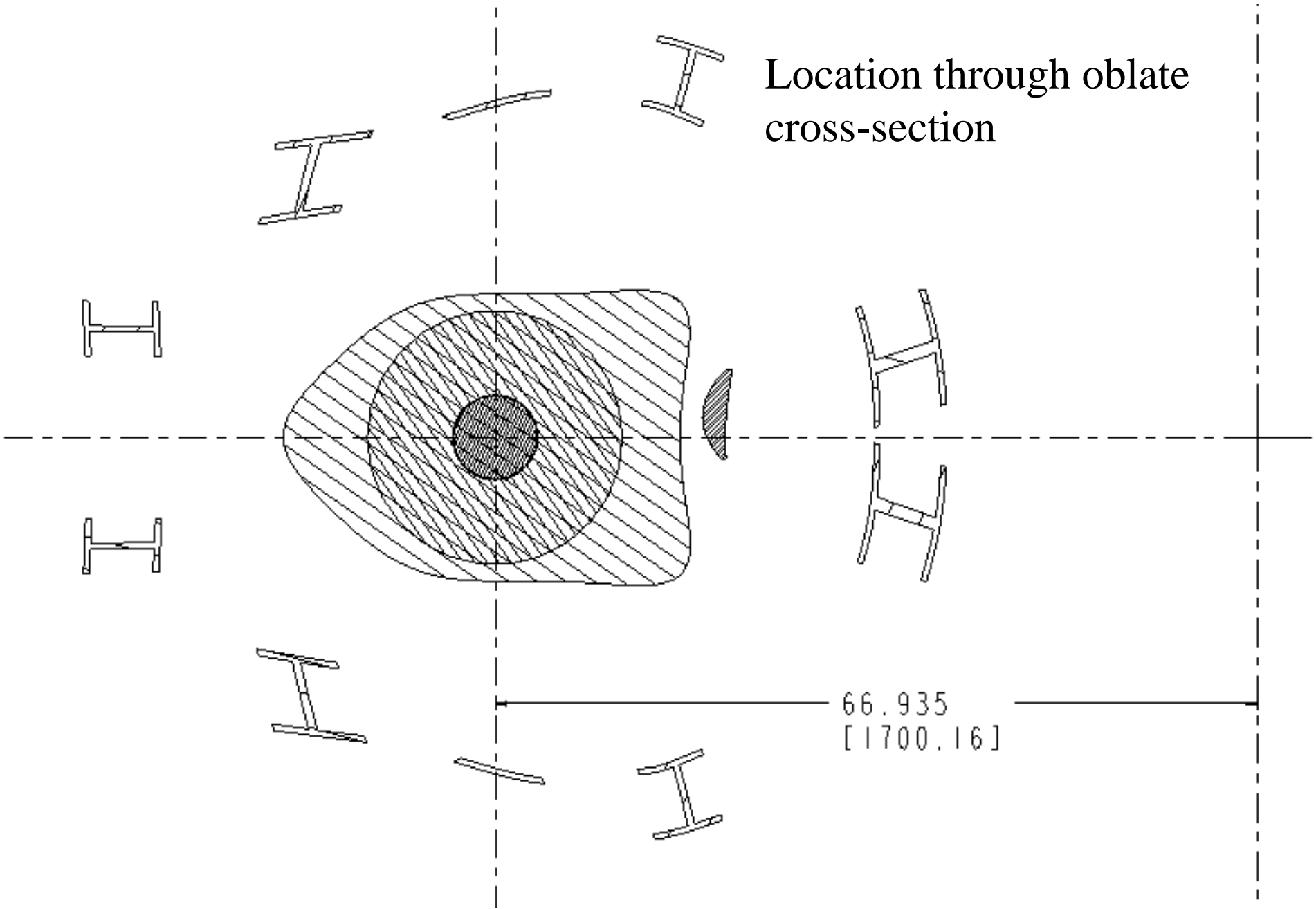
# 21 modular coil set



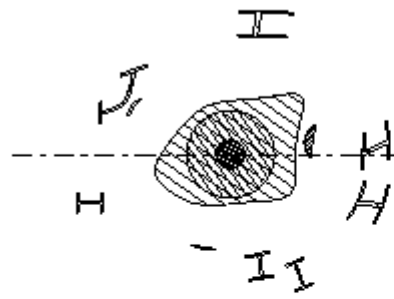
# Location of NB standard configuration



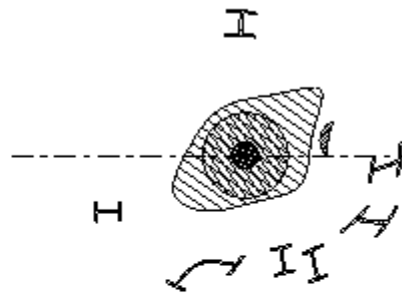
Location through oblate  
cross-section



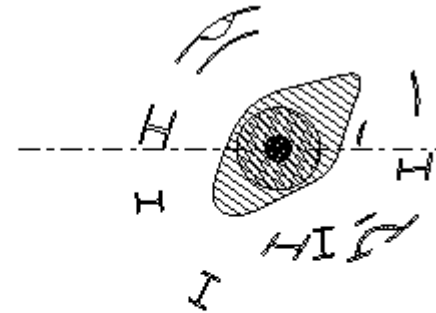
# Standard Beam Orientation



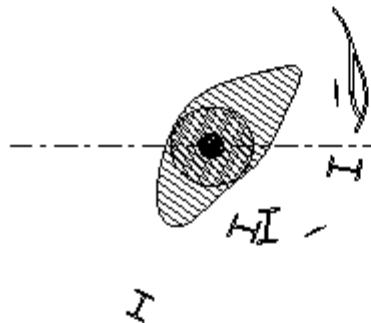
SECTION 5\_DEG-5\_DEG



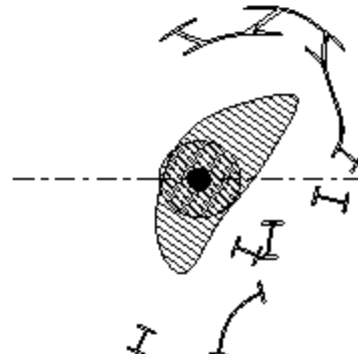
SECTION 10\_DEG-10\_DEG



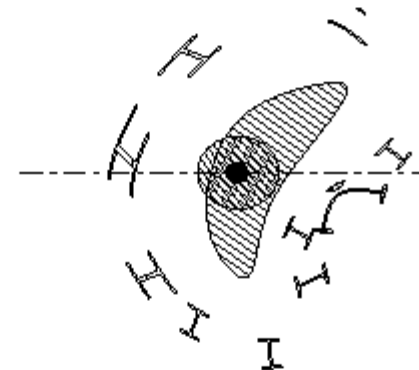
SECTION 15\_DEG-15\_DEG



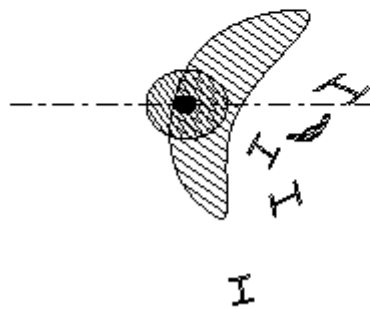
SECTION 20\_DEG-20\_DEG



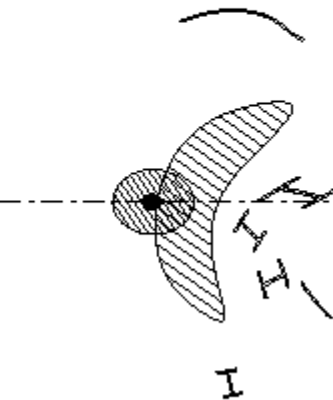
SECTION 25\_DEG-25\_DEG



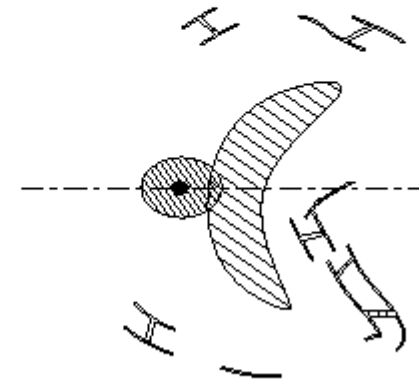
SECTION 30\_DEG-30\_DEG



SECTION 35\_DEG-35\_DEG

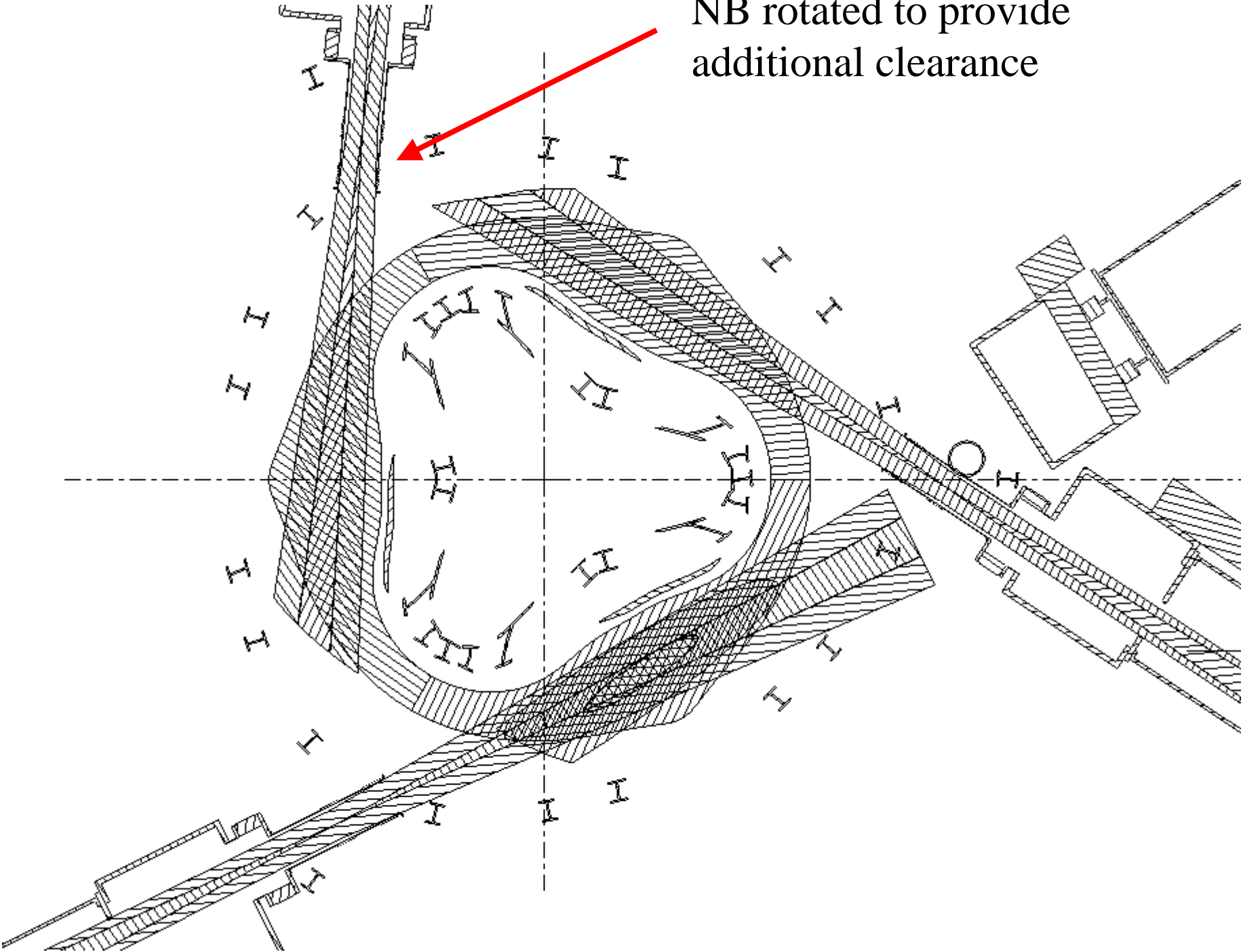


SECTION 40\_DEG-40\_DEG

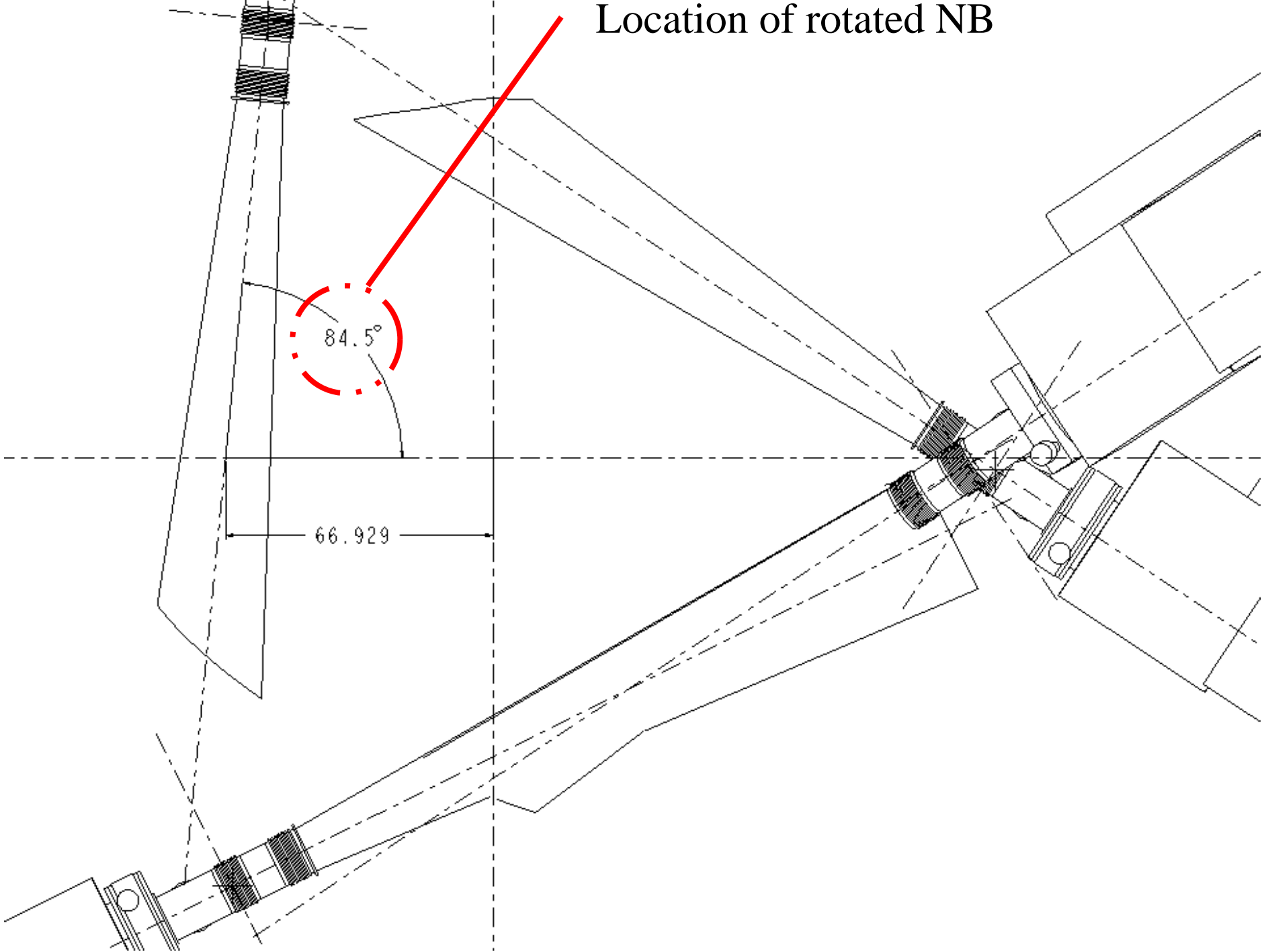


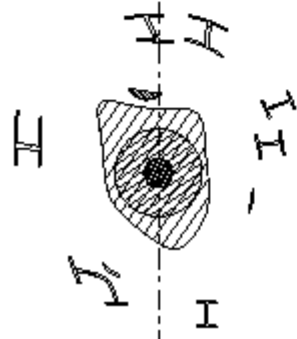
SECTION 45\_DEG-45\_DEG

NB rotated to provide additional clearance

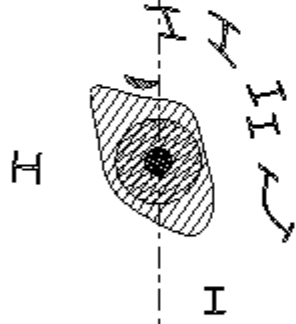


Location of rotated NB

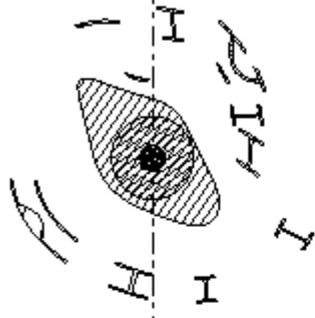




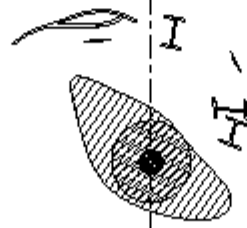
SECTION 5\_DEG-5\_DEG



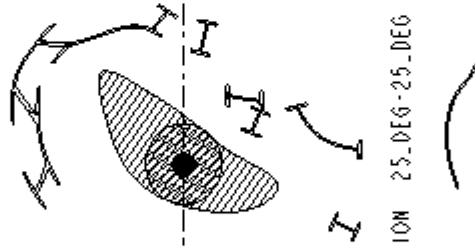
SECTION 10\_DEG-10\_DEG



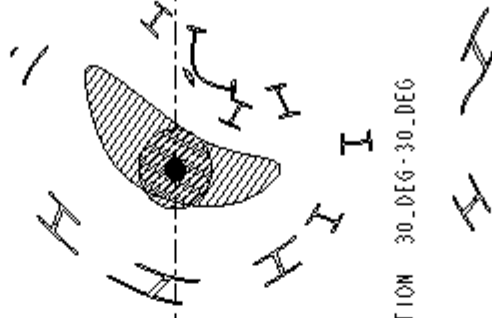
SECTION 15\_DEG-15\_DEG



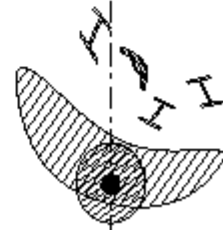
SECTION 20\_DEG-20\_DEG



SECTION 25\_DEG-25\_DEG



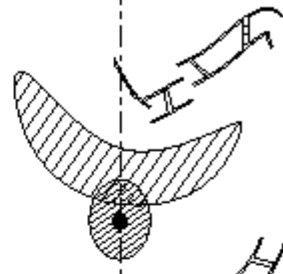
SECTION 30\_DEG-30\_DEG



SECTION 35\_DEG-35\_DEG

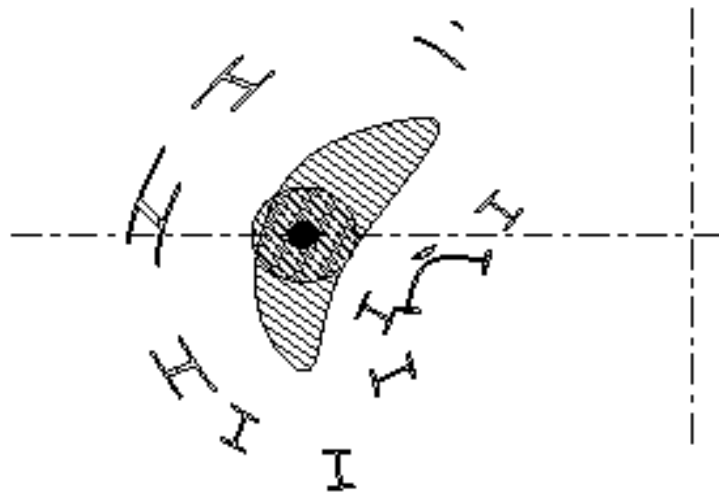


SECTION 40\_DEG-40\_DEG



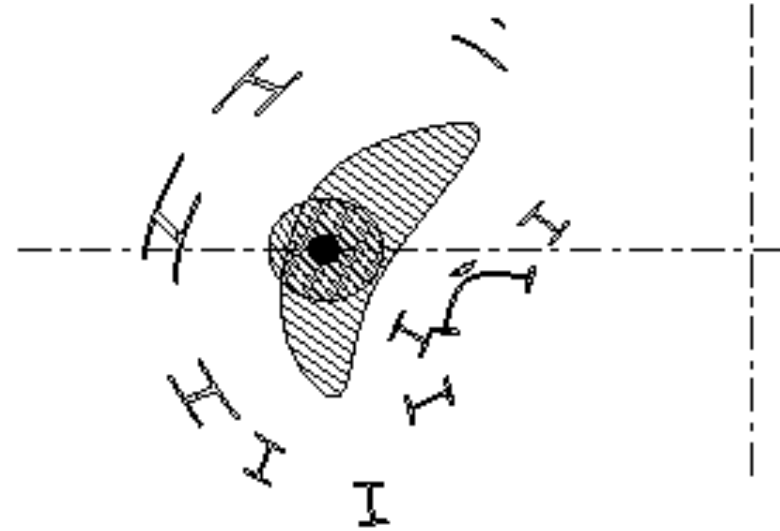
SECTION 45\_DEG-45\_DEG





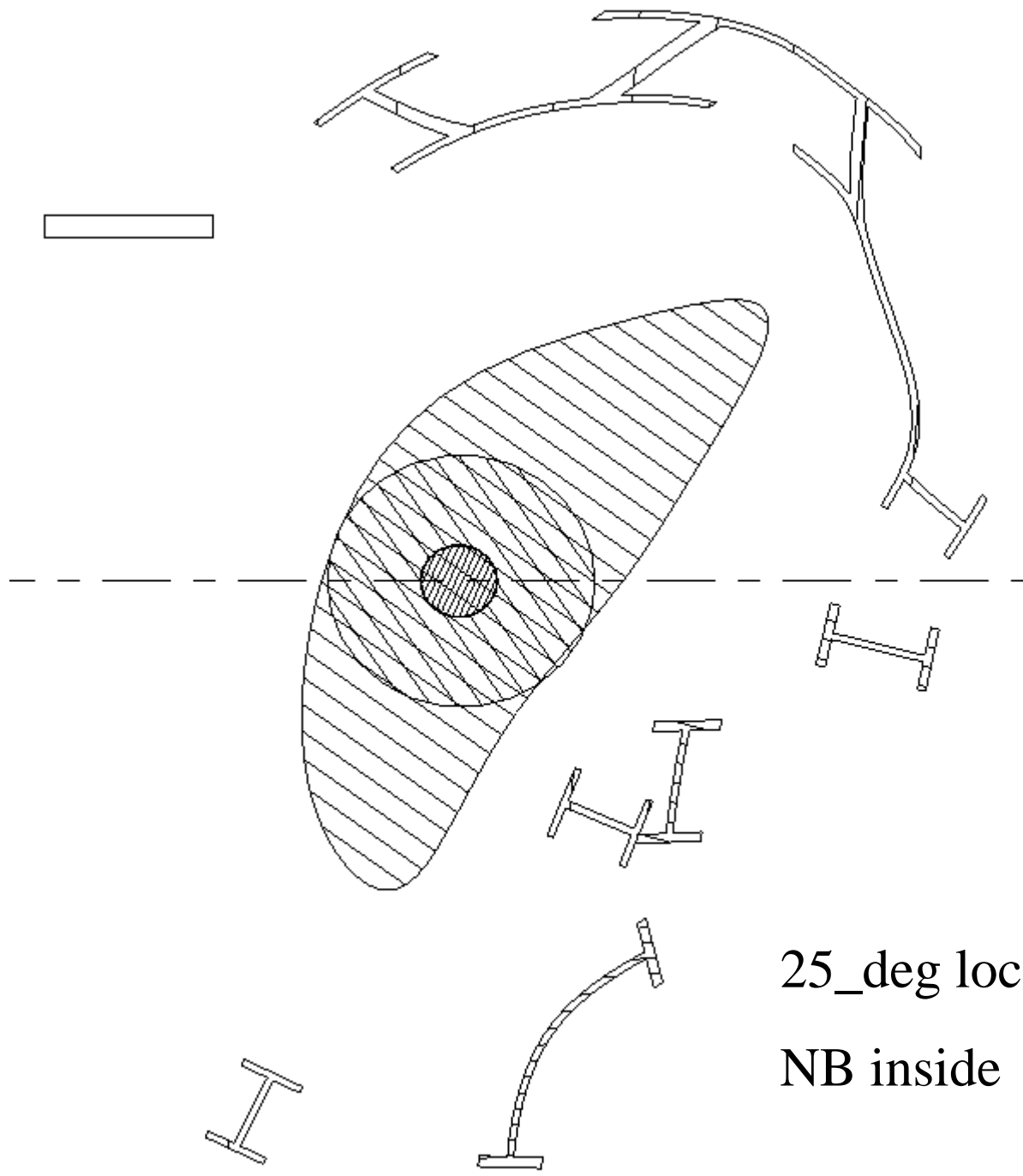
SECTION 30\_DEG-30\_DEG

NB rotated to allow  
more clearance



SECTION 30\_DEG-30\_DEG

Original beam location



25\_deg location

NB inside

Co-beams relocated 2 deg

