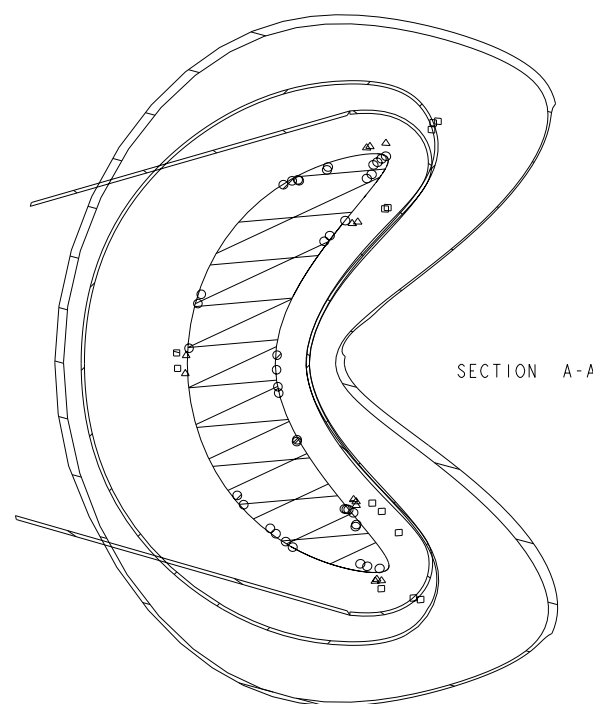
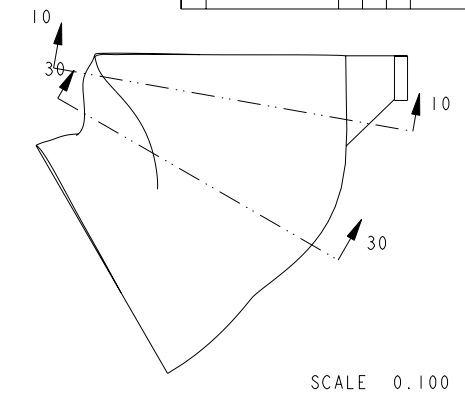
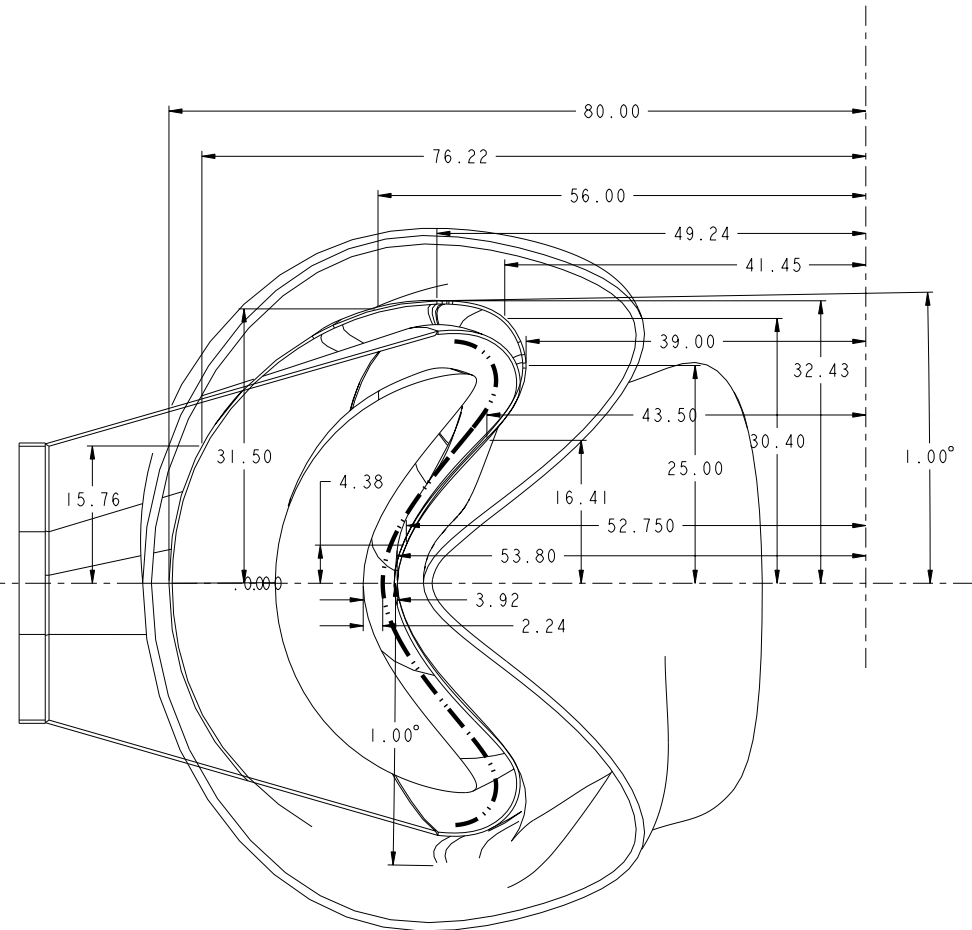


NO.	REVISION	BY	CH	SUP	APPROVED	DATE



ITEM NO.	DRAWING NO.	NOMENCLATURE OR DESCRIPTION	MATERIAL	QTY	RECD
6	SISE110-101		--	--	I
5	SISE-VV-INTERFACE		--	--	I
4	SISE-VV-R3		--	--	I
3	SISE-PVR-VV		--	--	I
2	SISE-C12 WINDING SURF		--	--	I
1	PLASMA W. FIELD LINE		--	--	I

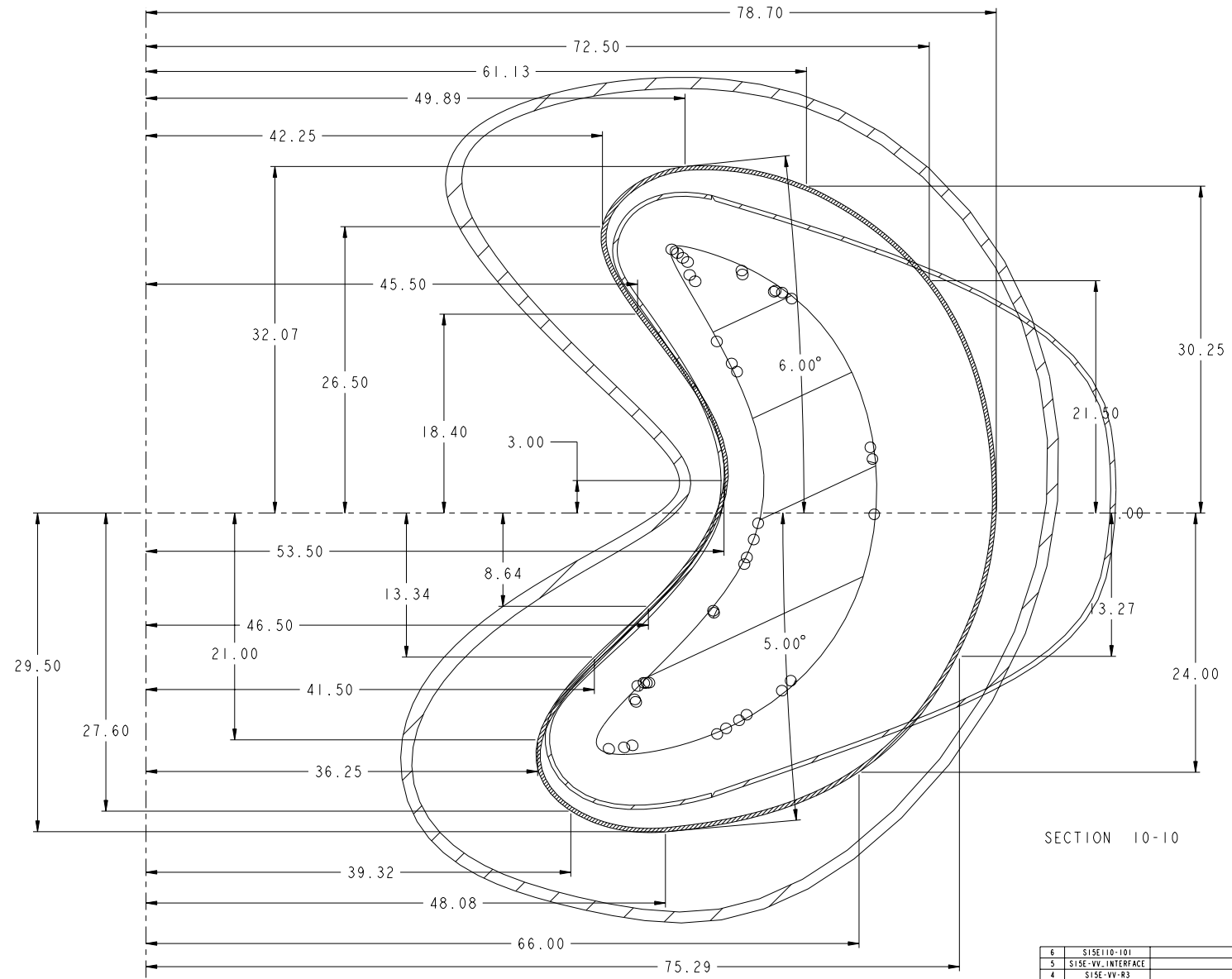
COMPUTER GENERATED DRAWING		CENTRAL FILES:	PRINCETON PLASMA PHYSICS LABORATORY	
MANUAL CHANGES NOT PERMITTED		(UNLESS OTHERWISE SPECIFIED)	PRINCETON UNIVERSITY 317 NATIONAL COMPACT STELLARATOR EXPERIMENT	
DATE: XXX		DIMENSIONS ARE IN INCHES	NCSX	
		MACHING SURFACES $\nabla$	XXX	
		BREAK SHARP EDGES .005: .020	XXX	
		TOLERANCES NON-CUMULATIVE	DIV: MECH. ENG.	DATE:
		DECIMAL INCH FRACTIONS	ENG: XXX	APPROVED:
		MM .000 .01-.02 .10-.04	DSN: XXX	
		ANGULAR 1P-15 OVER 10P-11/2	CHK: SUPP	
			DATE:	

weight=weight.111.11

DATE: XXX	
WELDING ENGINEER	
APP'D: _____	DATE: _____

SISE-VV-INTERFACE

NO.	REVISION	BY	CH	SUP	APPROVED	DATE



SECTION 10-10

ITEM NO.	DRAWING NO.	NOMENCLATURE OR DESCRIPTION	MATERIAL	QTY	RECD
6	SISE110-101	--	--	1	
5	SISE-VV-INTERFACE	--	--	1	
4	SISE-VV-R3	--	--	1	
3	SISE-PVR-VV	--	--	1	
2	SISE-C12 WINDING SURF	--	--	1	
1	PLASMA W. FIELDLINE	--	--	1	

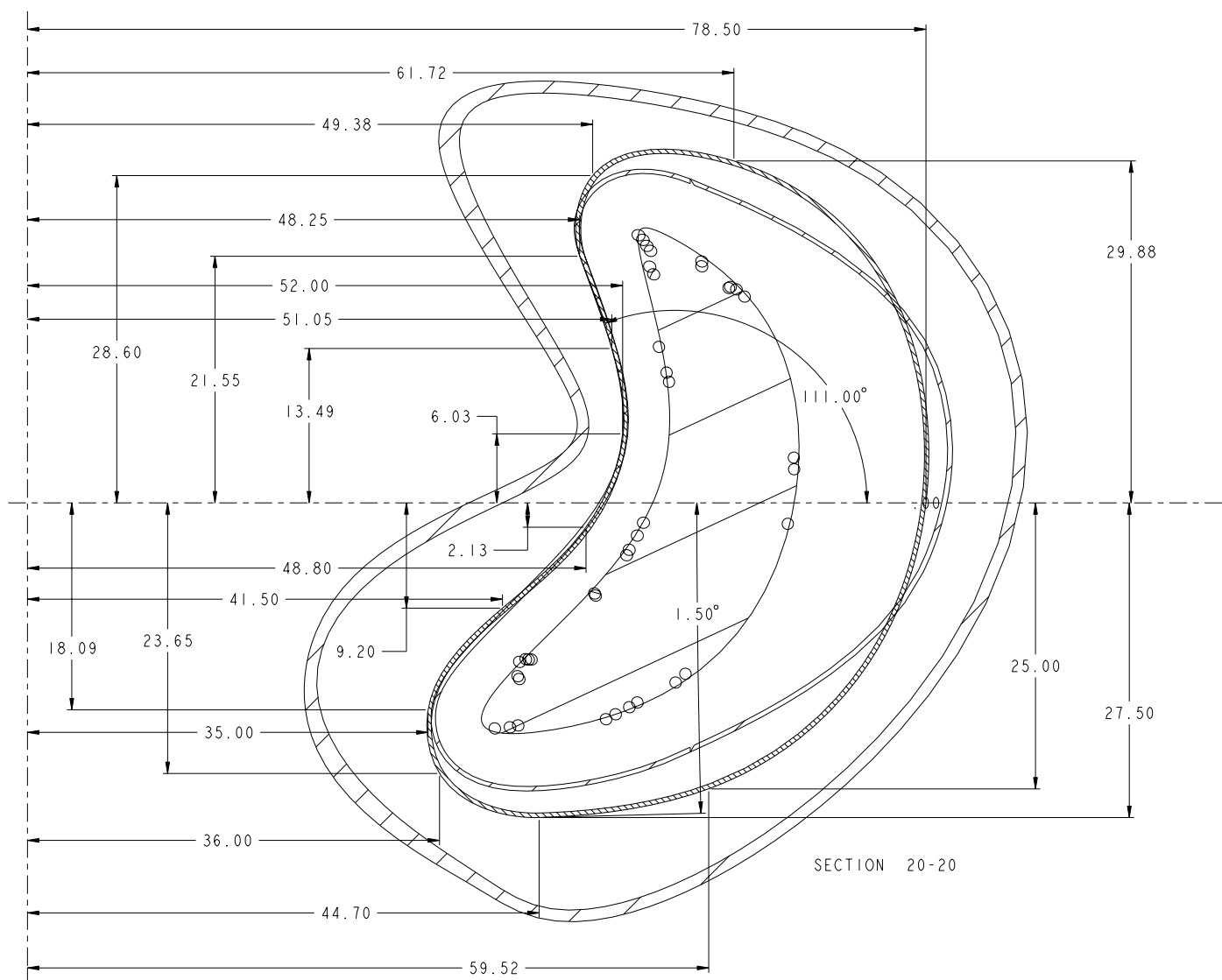
PARTS LIST

COMPUTER GENERATED DRAWING MANUAL CHANGES NOT PERMITTED	CENTRAL FILES: (UNLESS OTHERWISE SPECIFIED) DIMENSIONS ARE IN INCHES MACHINE SURFACES $\nabla$	PRINCETON PLASMA PHYSICS LABORATORY PRINCETON UNIVERSITY 317 NATIONAL COMPACT STELLARATOR EXPERIMENT NCSX XXX XXX
DATE:	TOLERANCES NON-CUMULATIVE	DIV: MECH. ENG. DATE:
WELDING ENGINEER	DECIMAL INCH FRACTIONS	ENG: XXX APPR: XXX
APPV: DATE	1/4 1/8 3/16 1/2 3/4	CHK: XXX SUP: XXX

Weight = 1238.540 lbs

SISE-VV-INTERFACE

NO.	REVISION	BY	CH	SUP	APPROVED	DATE



SECTION 20-20

6	SISE110-101	--	--	1
5	SISE-VV-INTERFACE	--	--	1
4	SISE-VV-R3	--	--	1
3	SISE-PVR-VV	--	--	1
2	SISE-C12 WINDING SURF	--	--	1
1	PLASMA W. FIELDLINE	--	--	1
ITEM NO.	DRAWING NO.	NOMENCLATURE OR DESCRIPTION	MATERIAL	QTY REQD

PARTS LIST

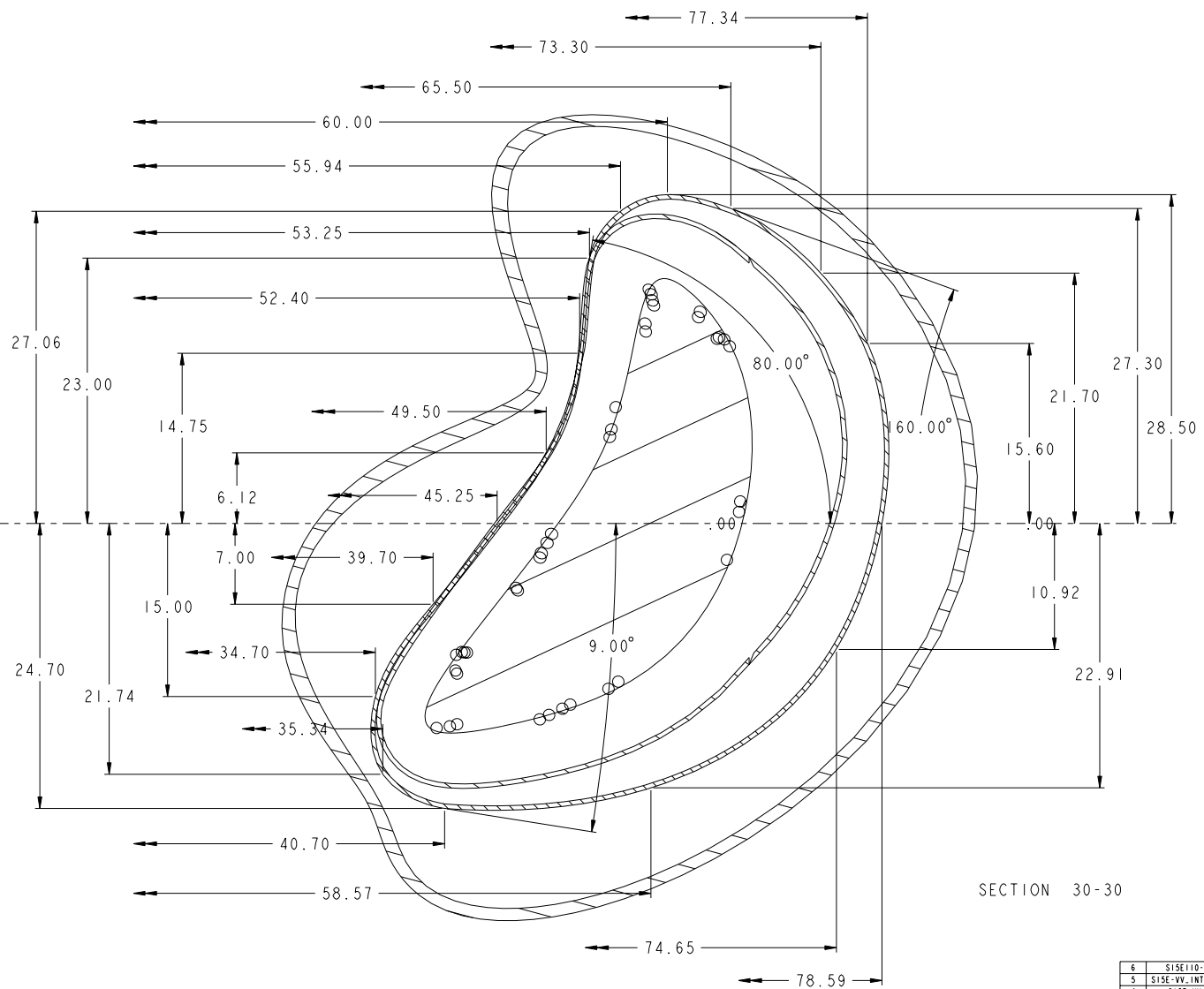
COMPUTER GENERATED DRAWING MANUAL CHANGES NOT PERMITTED	CENTRAL FILES: (UNLESS OTHERWISE SPECIFIED) DIMENSIONS ARE IN INCHES MACHING SURFACES $\nabla$ FRA E DO NOT QUOTE DIMENSIONS BREAK SHARP EDGES .005: .020 TOLERANCES NON-CUMULATIVE	PRINCETON PLASMA PHYSICS LABORATORY PRINCETON UNIVERSITY NATIONAL COMPACT STELLARATOR EXPERIMENT NCSX XXX XXX
DATE:	DECIMAL INCH FRACTIONS	DIV: MECH. ENG. DATE:
WELDING ENGINEER	NEET ASSEMBLY	ENG: XXX APPR: XXX
APPD: DATE	MODULAR (P.15) OVER 100: 1/12	CHK: SUPP

Weight = 1238.540 lbs

SISE-VV-INTERFACE

SHEET 3 OF 7 REV 0

NO.	REVISION	BY	CH	SUP	APPROVED	DATE



SECTION 30-30

ITEM NO.	DRAWING NO.	NOMENCLATURE OR DESCRIPTION	MATERIAL	QTY	RECD
6	SISE110-101		--	--	I
5	SISE-VV-INTERFACE		--	--	I
4	SISE-VV-R3		--	--	I
3	SISE-PVR-VV		--	--	I
2	SISE-C12 WINDING SURF		--	--	I
1	PLASMA W. FIELD LINE		--	--	I

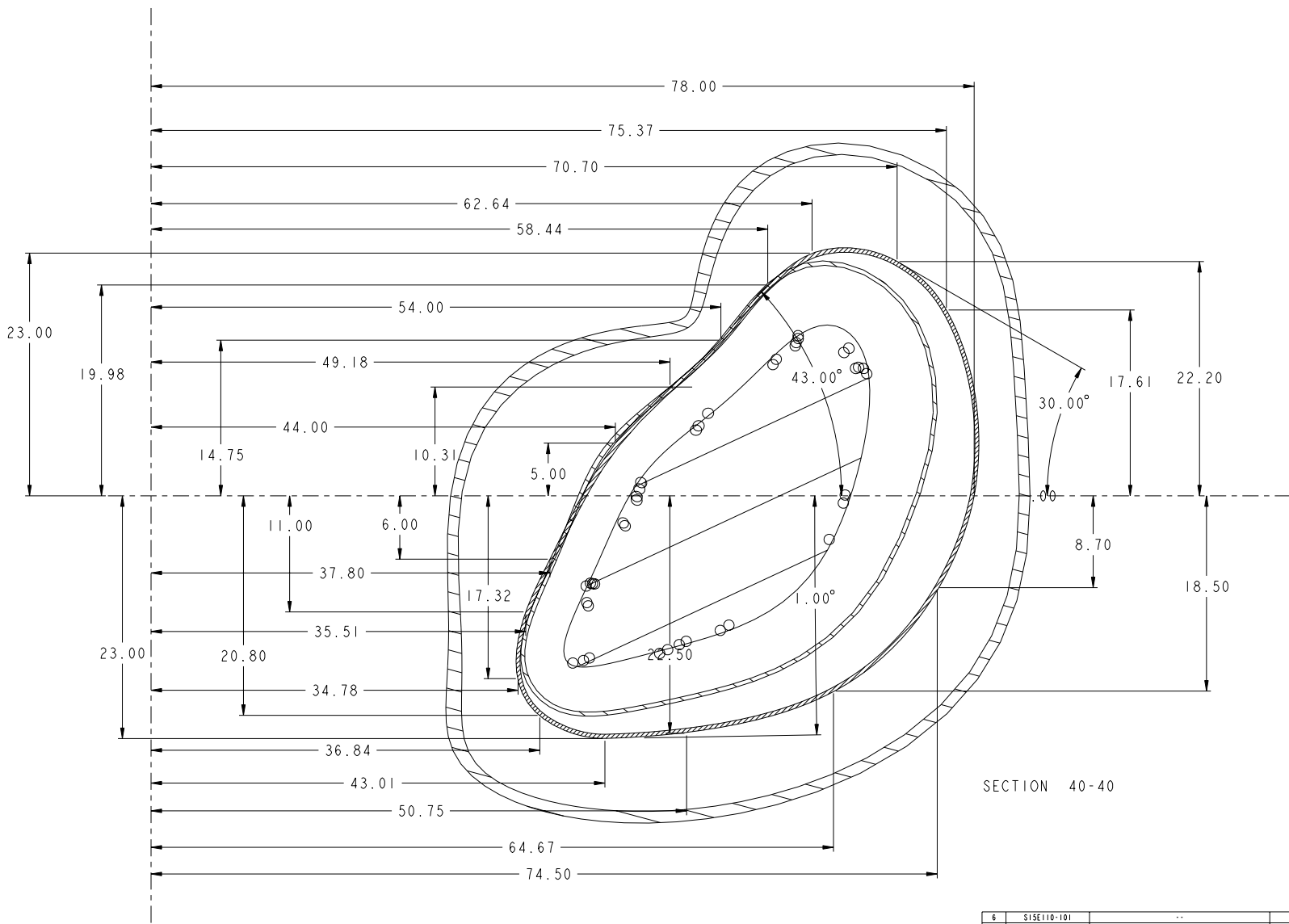
PARTS LIST

COMPUTER GENERATED DRAWING MANUAL CHANGES NOT PERMITTED	CENTRAL FILES: (UNLESS OTHERWISE SPECIFIED) DIMENSIONS ARE IN INCHES MACHINE SURFACES $\nabla$	PRINCETON PLASMA PHYSICS LABORATORY PRINCETON UNIVERSITY NATIONAL COMPACT STELLARATOR EXPERIMENT NCSX XXX XXX
DATE:	TOLERANCES NON-CUMULATIVE	DIV: MECH. ENG. DATE:
WELDING ENGINEER	DECIMAL INCH FRACTIONS	ENG: XXX APPR: XXX
APPR: DATE	FRAC. INCH FRACTIONS	CHK: SUP: DATE
	MM ANGULAR (P. 15) OVER 120° 1/12	

Weight = 1238.540 lbs

SISE-VV-INTERFACE  
SHEET 4 OF 7 REV 0

NO.	REVISION	BY	CH	SUP	APPROVED	DATE



SECTION 40-40

ITEM NO.	DRAWING NO.	NOMENCLATURE OR DESCRIPTION	MATERIAL	QTY	RECD
6	SISE110-101		--	--	I
5	SISE-VV-INTERFACE		--	--	I
4	SISE-VV-R3		--	--	I
3	SISE-PWR-VV		--	--	I
2	SISE-C12 WINDING SURF		--	--	I
1	PLASMA W. FIELD LINE		--	--	I

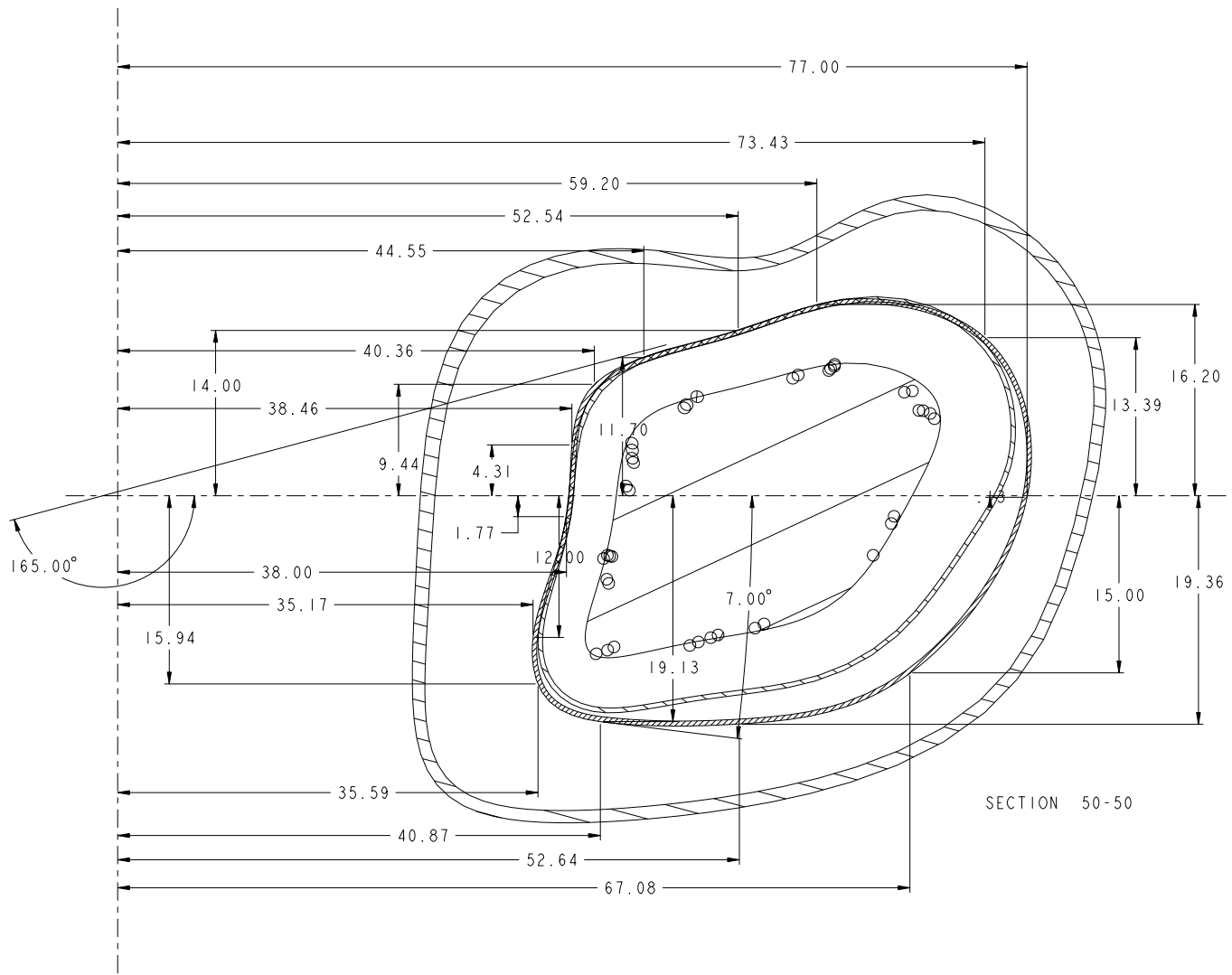
PARTS LIST

COMPUTER GENERATED DRAWING MANUAL CHANGES NOT PERMITTED	CENTRAL FILES: (UNLESS OTHERWISE SPECIFIED) DIMENSIONS ARE IN INCHES MACHING SURFACES $\nabla$	PRINCETON PLASMA PHYSICS LABORATORY PRINCETON UNIVERSITY NCSX XXX XXX
DATE:	TOLERANCES NON-CUMULATIVE	DIV: MECH. ENG. DATE:
WELDING ENGINEER	DECIMAL INCH FRACTIONS	ENG: XXX APPR: XXX
APPR: _____ DATE	±.000 ±.001 ±.002 ±.003 ±.004 ±.005 ±.006 ±.007 ±.008 ±.009 ±.010 ±.015 ±.020 ±.025 ±.030 ±.035 ±.040 ±.045 ±.050 ±.055 ±.060 ±.065 ±.070 ±.075 ±.080 ±.085 ±.090 ±.095 ±.100 ±.125 ±.150 ±.175 ±.200 ±.250 ±.300 ±.350 ±.400 ±.450 ±.500 ±.550 ±.600 ±.650 ±.700 ±.750 ±.800 ±.850 ±.900 ±.950 ±.1000	CHK: SUP: DATE: SHEET 5 OF 7 REV 0

Weight = 1238.540 lbs

SISE-VV-INTERFACE

NO.	REVISION	BY	CH	SUP	APPROVED	DATE



SECTION 50-50

6	SISE110-101	--	--	I
5	SISE-VV-INTERFACE	--	--	I
4	SISE-VV-R3	--	--	I
3	SISE-PVR-VV	--	--	I
2	SISE-C12 WINDING SURF	--	--	I
1	PLASMA W. FIELDLINE	--	--	I
ITEM NO.	DRAWING NO.	NOMENCLATURE OR DESCRIPTION	MATERIAL	QTY RECD

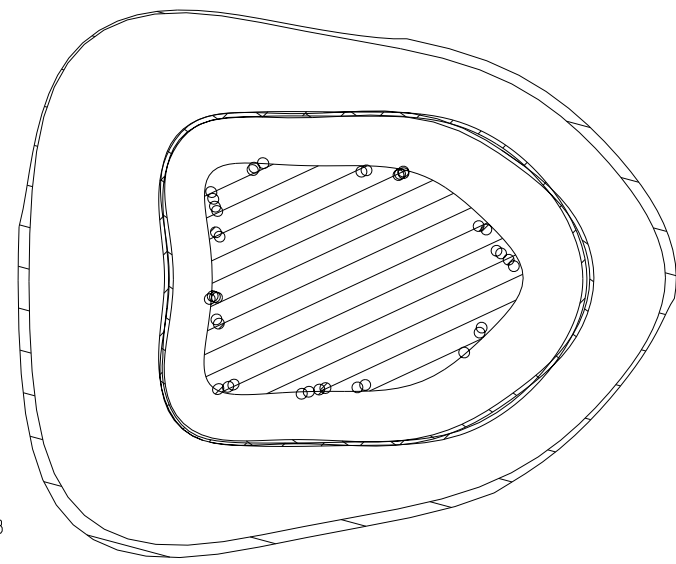
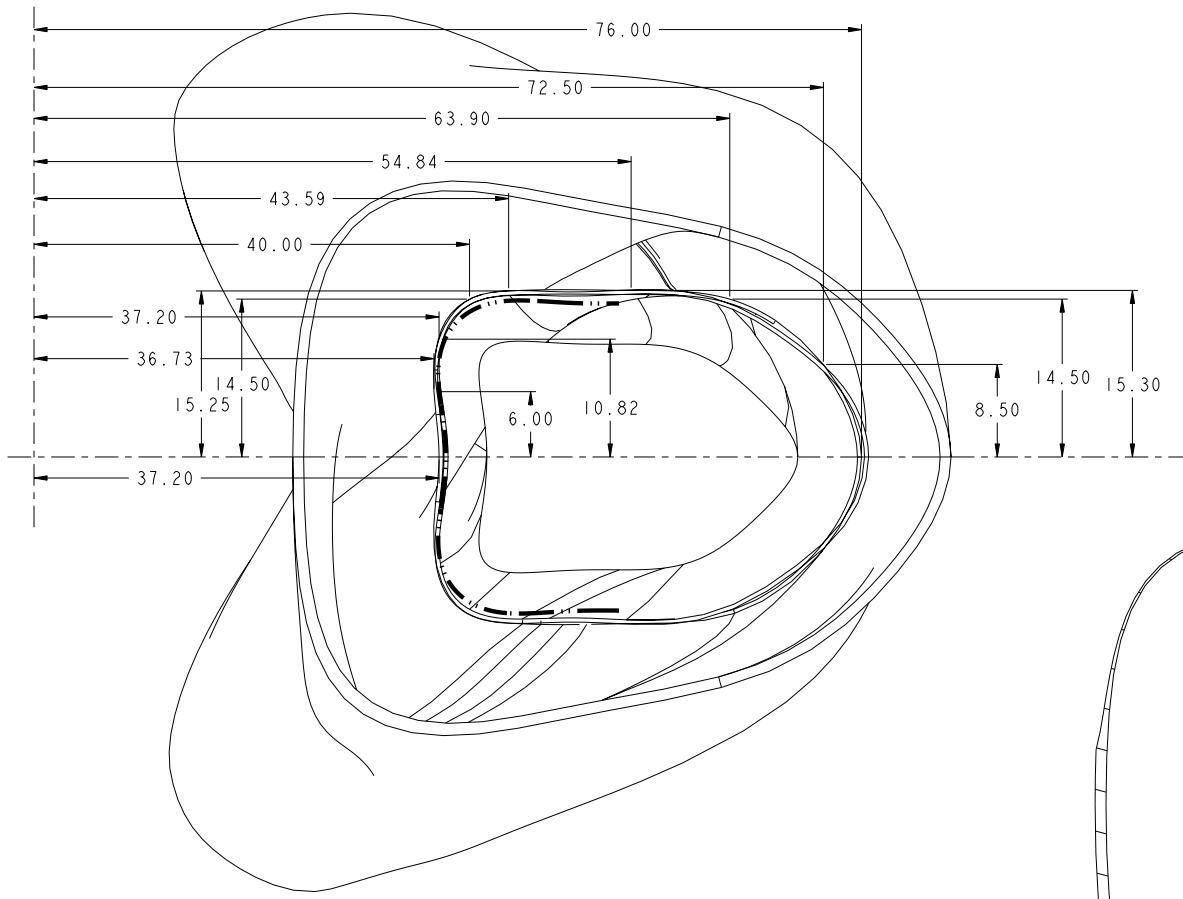
PARTS LIST

COMPUTER GENERATED DRAWING MANUAL CHANGES NOT PERMITTED	CENTRAL FILES: (UNLESS OTHERWISE SPECIFIED) DIMENSIONS ARE IN INCHES MACHINE SURFACES $\nabla$	PRINCETON PLASMA PHYSICS LABORATORY PRINCETON UNIVERSITY NCSX XXX XXX	
DATE:	TOLERANCES NON-CUMULATIVE	DIV: MECH. ENG.	DATE:
WELDING ENGINEER	DECIMAL INCH FRACTIONS	ENG: XXX	APPROVED:
APP'D: _____ DATE: _____	1/4 .000 1/8 .001 1/16 .002 3/32 .003 1/8 .005 3/16 .007 1/4 .010 3/8 .015 1/2 .020 3/4 .030 1 .050 1.5 .100 2 .150 3 .200 4 .300 6 .500 8 .750 1 .000	CHK: SUPP	SHEET 6 OF 7 REV 0

Weight = 1238.540 lbs

SISE-VV-INTERFACE

NO.	REVISION	BY	CH	SUP	APPROVED	DATE



SECTION B-B

ITEM NO.	DRAWING NO.	NOMENCLATURE OR DESCRIPTION	MATERIAL	QTY	RECD
6	SISE110-101				
5	SISE-VV-INTERFACE				
4	SISE-VV-R3				
3	SISE-PVR-VV				
2	SISE-C12 WINDING SURF				
1	PLASMA W. FIELD LINE				

PARTS LIST

COMPUTER GENERATED DRAWING MANUAL CHANGES NOT PERMITTED	CENTRAL FILES: (UNLESS OTHERWISE SPECIFIED) DIMENSIONS ARE IN INCHES MACHINING SURFACES $\nabla$	PRINCETON PLASMA PHYSICS LABORATORY PRINCETON UNIVERSITY 317 NCSX XXX XXX
Pr E DO NOT SCALE DIMENSIONS BY MEASURING DRAWING	TOLERANCES NON-CUMULATIVE DECIMAL INCH FRACTIONS H1 .000 .0100 .0150 H2 .000 .0100 .0150 MODULAR .0150 .0150 .0150	DATE: _____ WELDING ENGINEER _____ APP'D: _____ DATE _____
DATE: _____	WELDING ENGINEER _____	DATE: _____ APP'D: _____

Weight = 1238.540 lbs

SISE-VV-INTERFACE