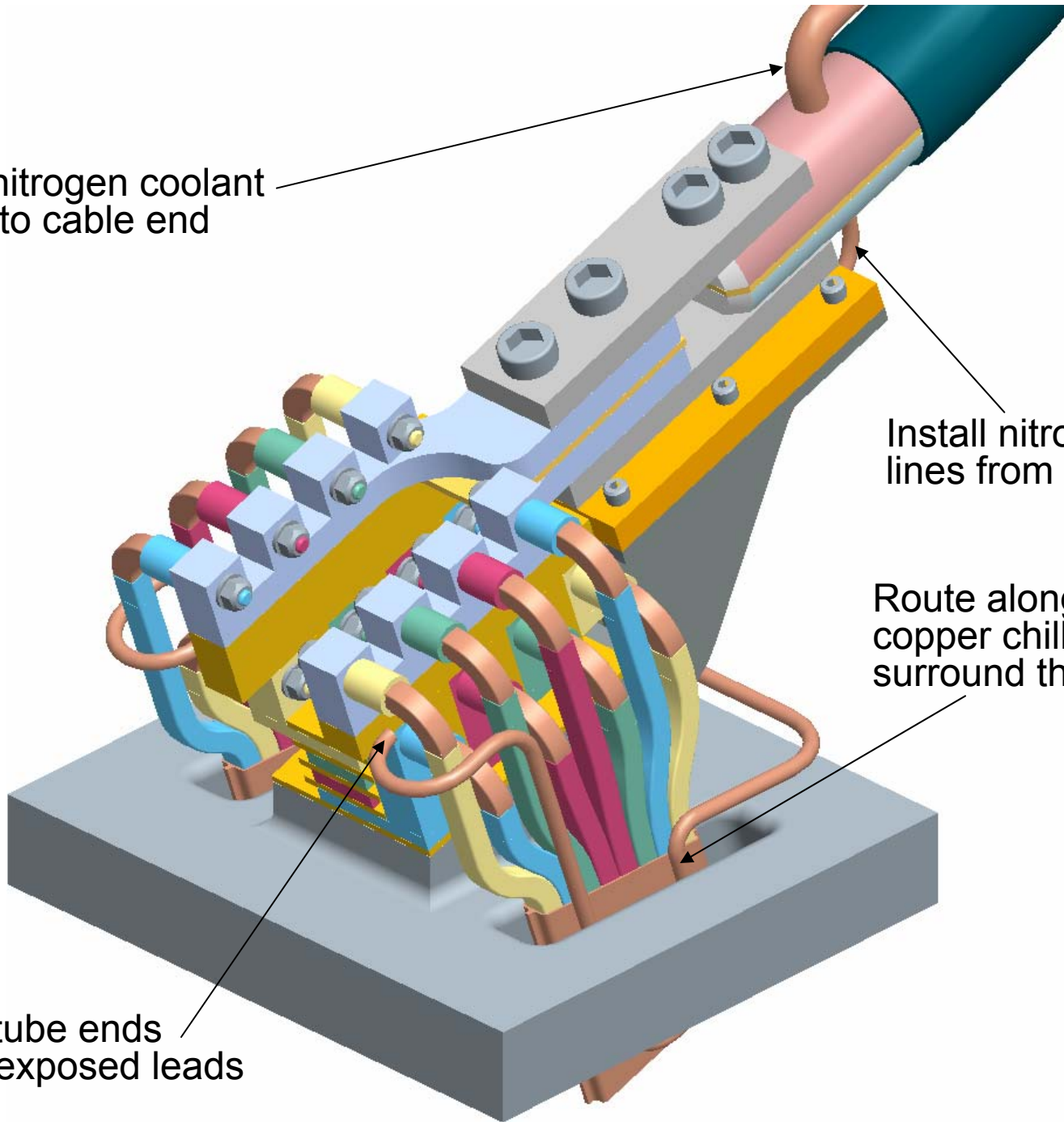


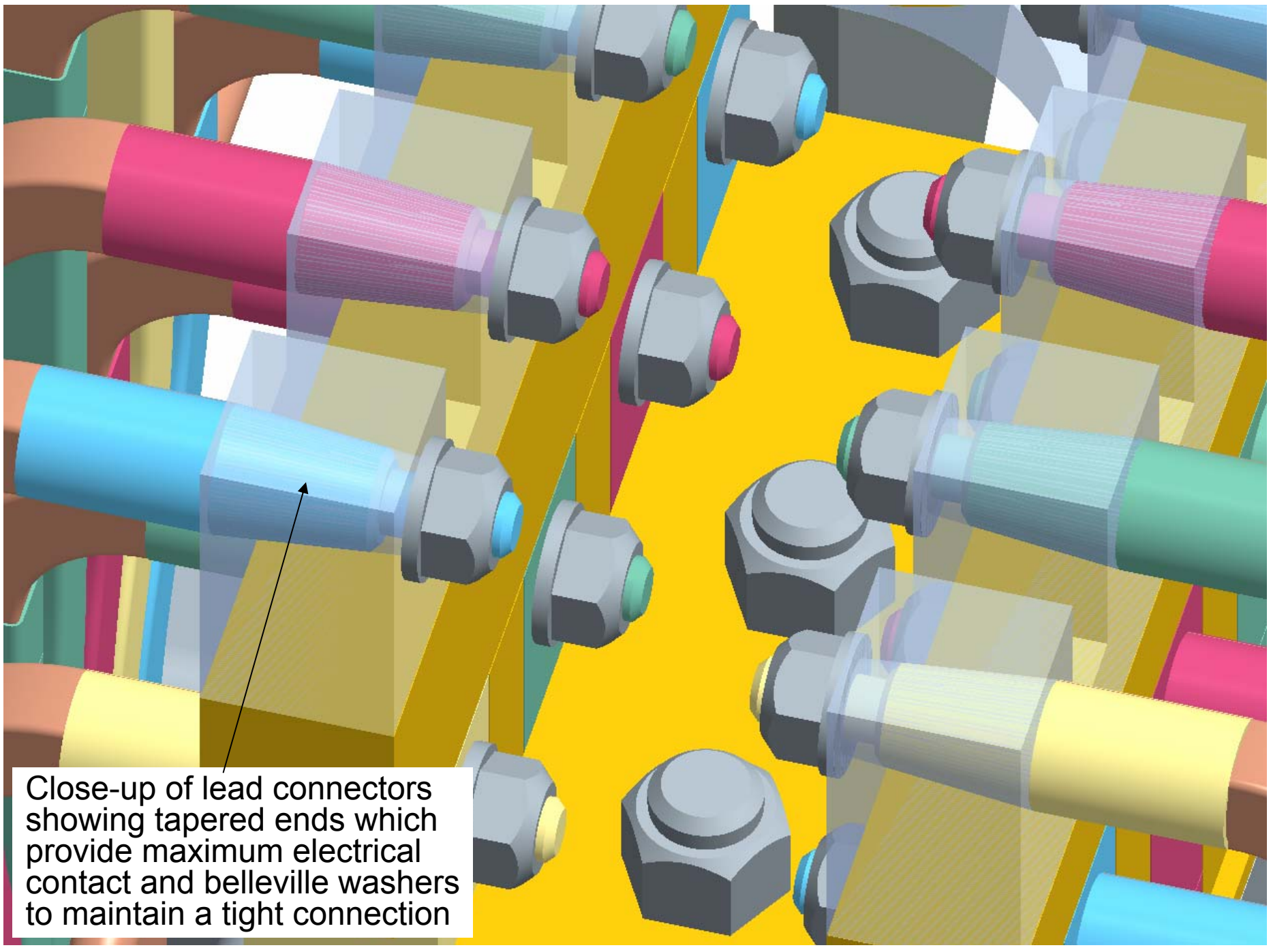
Install nitrogen coolant supply to cable end

Install nitrogen coolant lines from cable supply

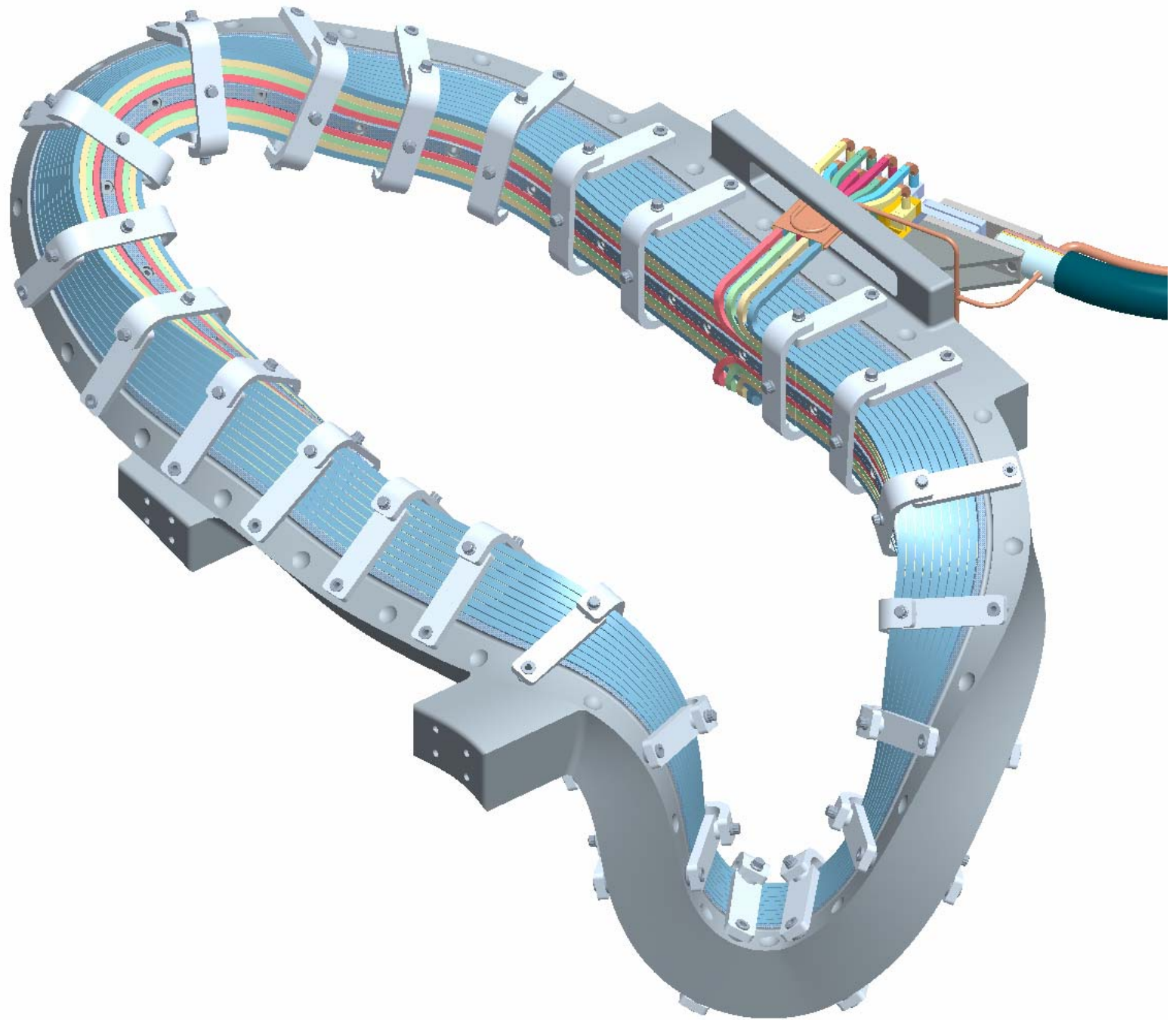
Route along outside of copper chill plates that surround the leads

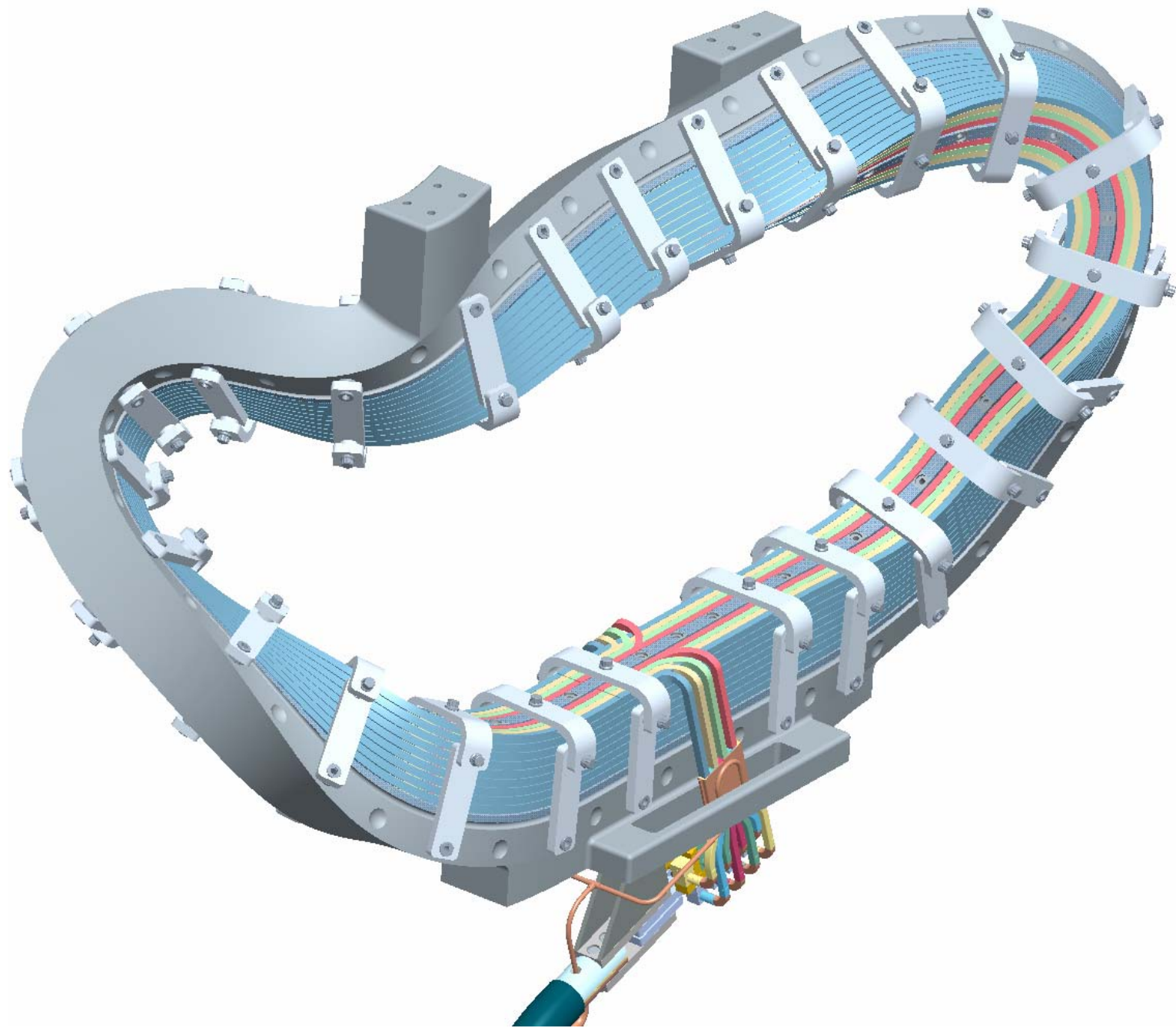
Open tube ends bathe exposed leads

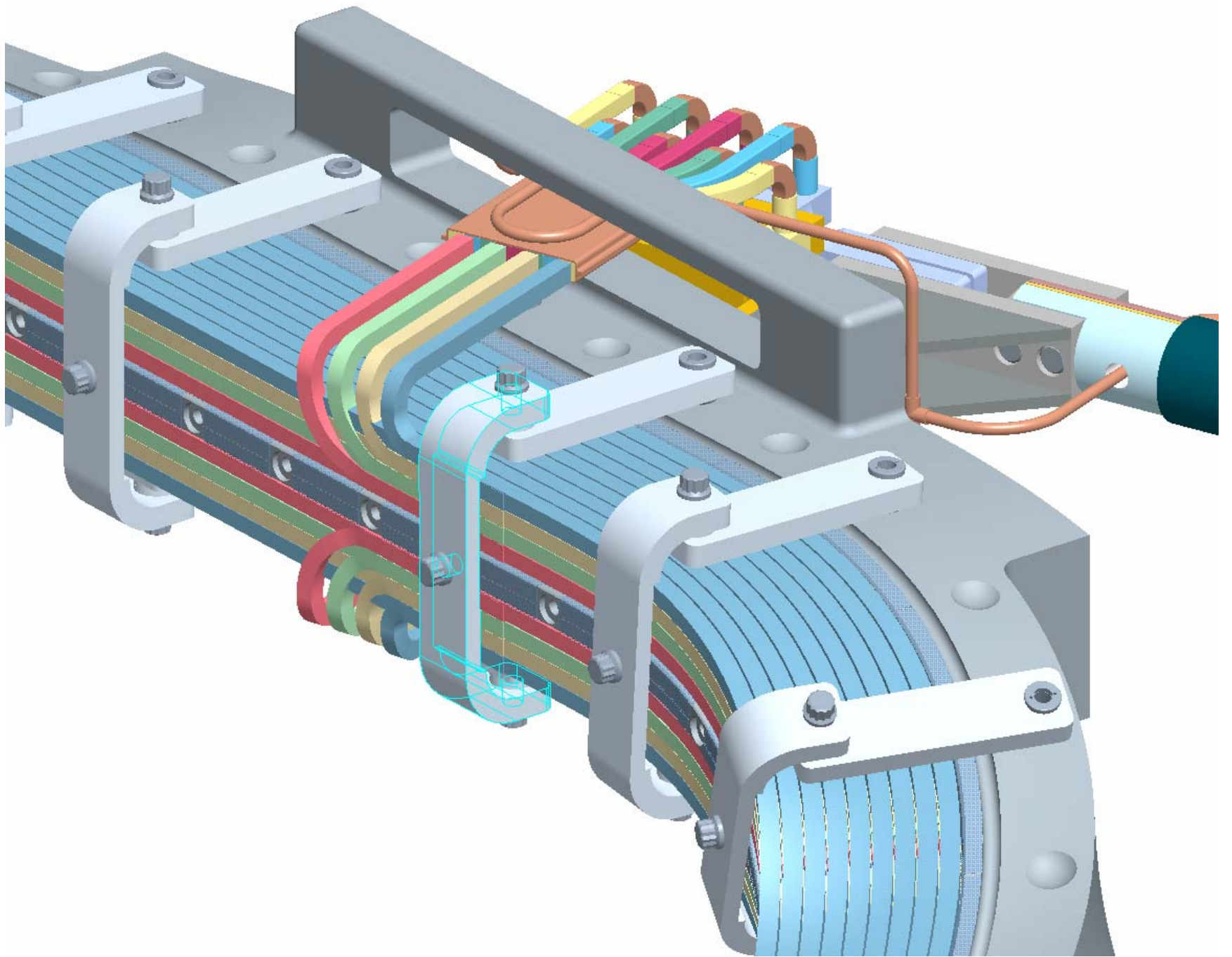


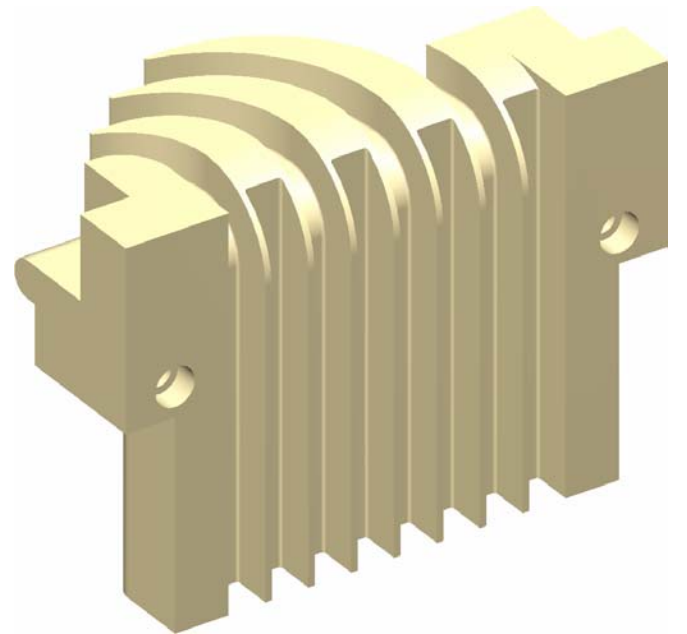
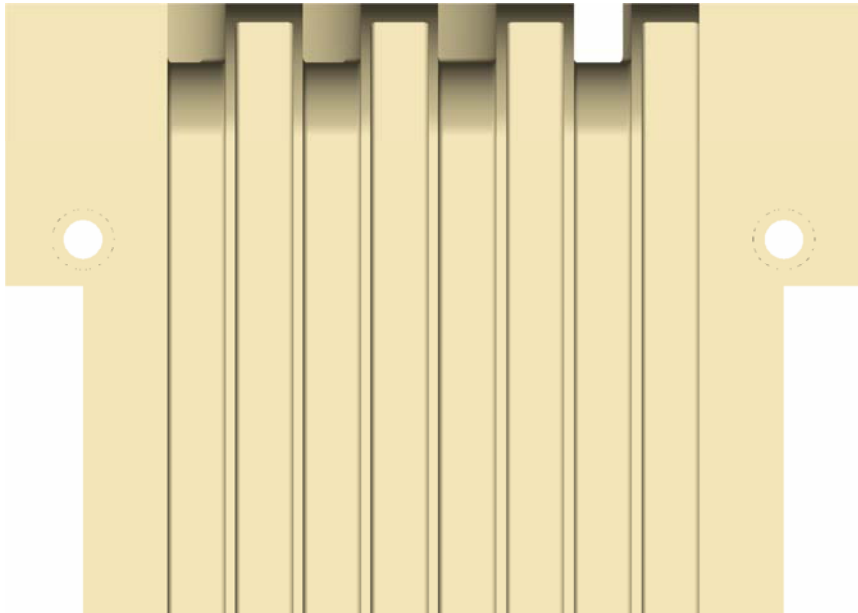
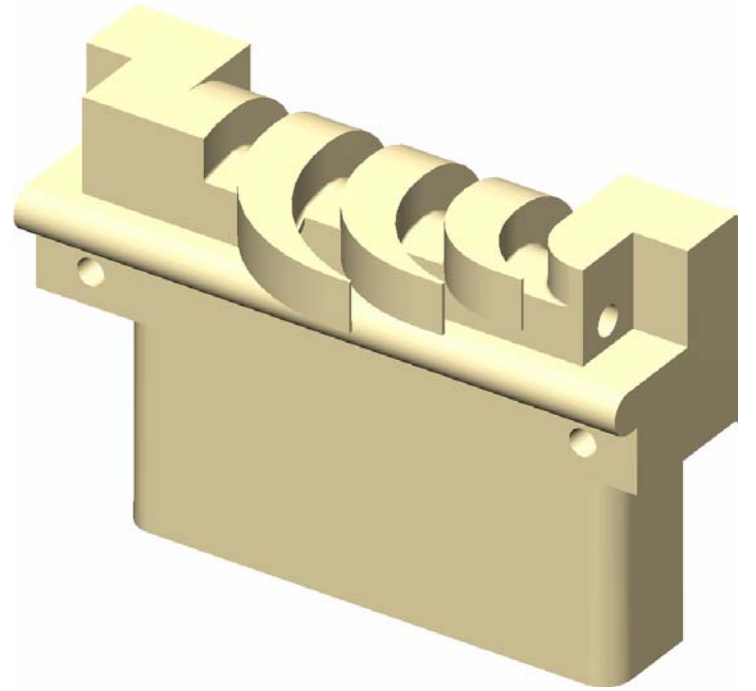
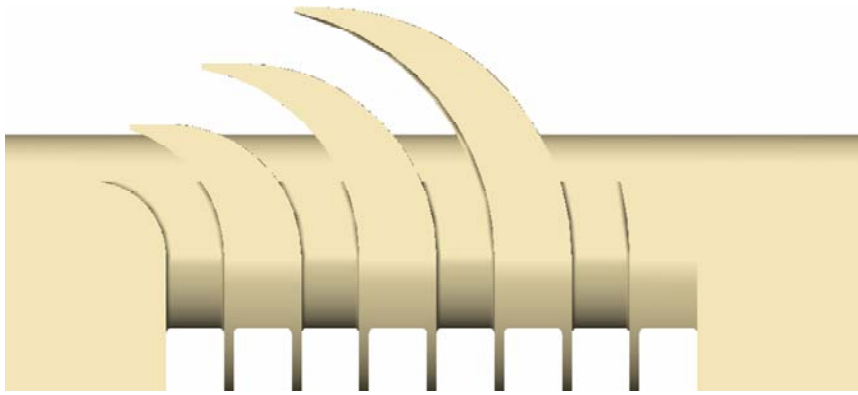


Close-up of lead connectors showing tapered ends which provide maximum electrical contact and Belleville washers to maintain a tight connection



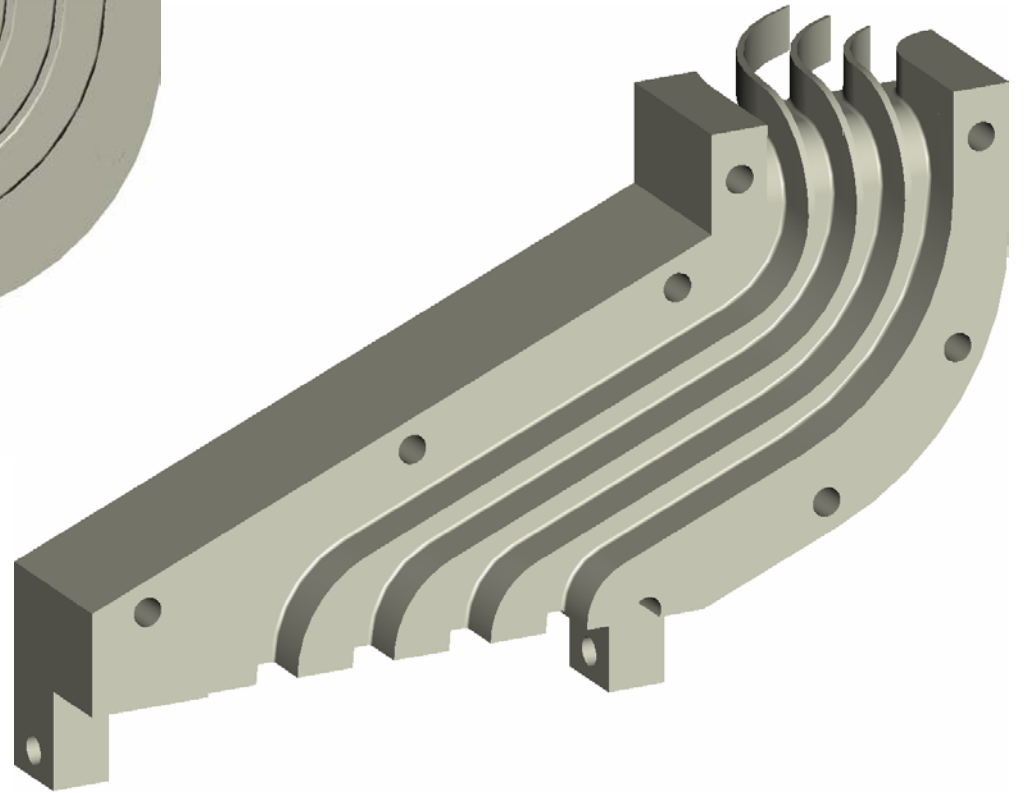
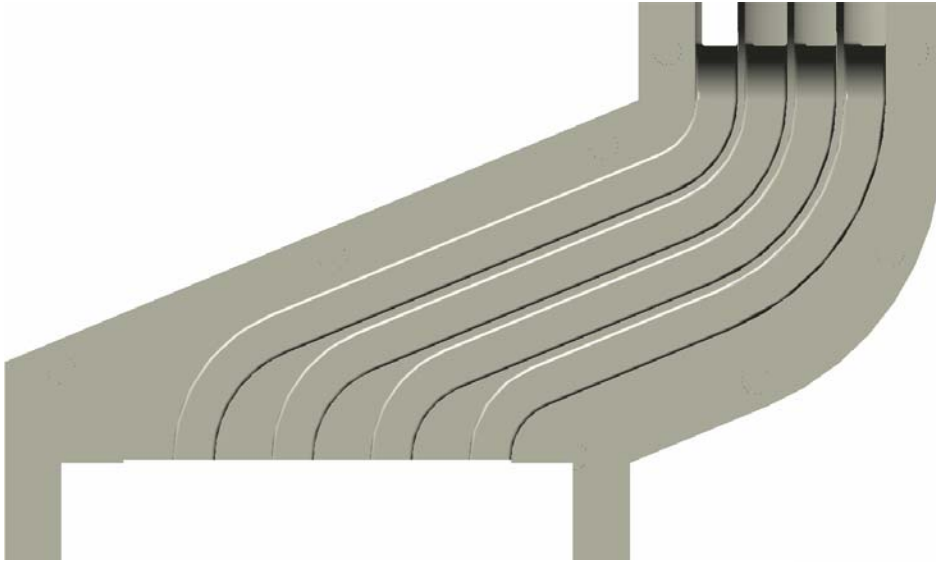






Price quote from Quickparts (06-08-2004)

Pricing Comparison					
	Next-Day SLA	SLA	SLS	FDM	Cast Urethanes
Material	ABS-Like	ABS-Like	Duraform	Rigid ABS	Lexan-Like
Finish	Smooth	Smooth	Matte	Functional	Show-Quality
Lead Time	1 Day	3-5 Days	3-5 Days	3-5 Days	6-9 Days For First Articles
Price	\$1087	\$869	\$962	\$869	\$255
Highlights	Ships Next-Day, Must Be Ordered By 2pm ET , Any Available Material	Fully Finished, Good All Around Prototype	Nylon Material, Strong, Chemical Resistance	ABS And Polycarb Material, Very Strong, Colors	Per Part Price In Lot Size Of 10, RTV Tooling, Production-Like



Price quote from Quickparts (06-09-2004)

Pricing Comparison					
	Next-Day SLA	SLA	SLS	FDM	Cast Urethanes
Material	ABS-Like	ABS-Like	Duraform	Rigid ABS	Lexan-Like
Finish	Smooth	Smooth	Matte	Functional	Show-Quality
Lead Time	1 Day	3-5 Days	3-5 Days	3-5 Days	6-9 Days For First Articles
Price	\$1297	\$1038	\$1040	\$1038	\$304
Highlights	Ships Next-Day, Must Be Ordered By 2pm ET , Any Available Material	Fully Finished, Good All Around Prototype	Nylon Material, Strong, Chemical Resistance	ABS And Polycarb Material, Very Strong, Colors	Per Part Price In Lot Size Of 10, RTV Tooling, Production-Like



