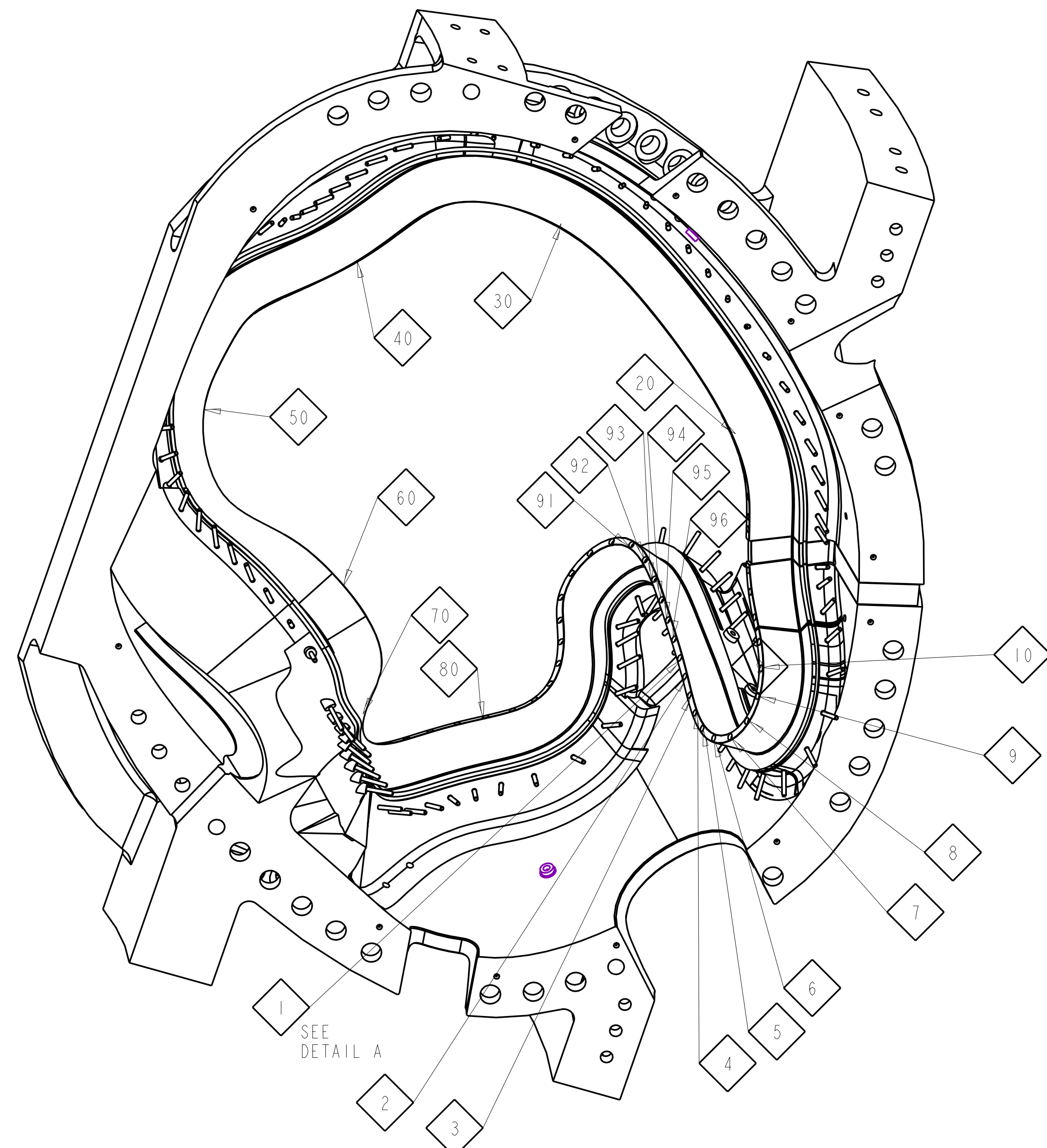
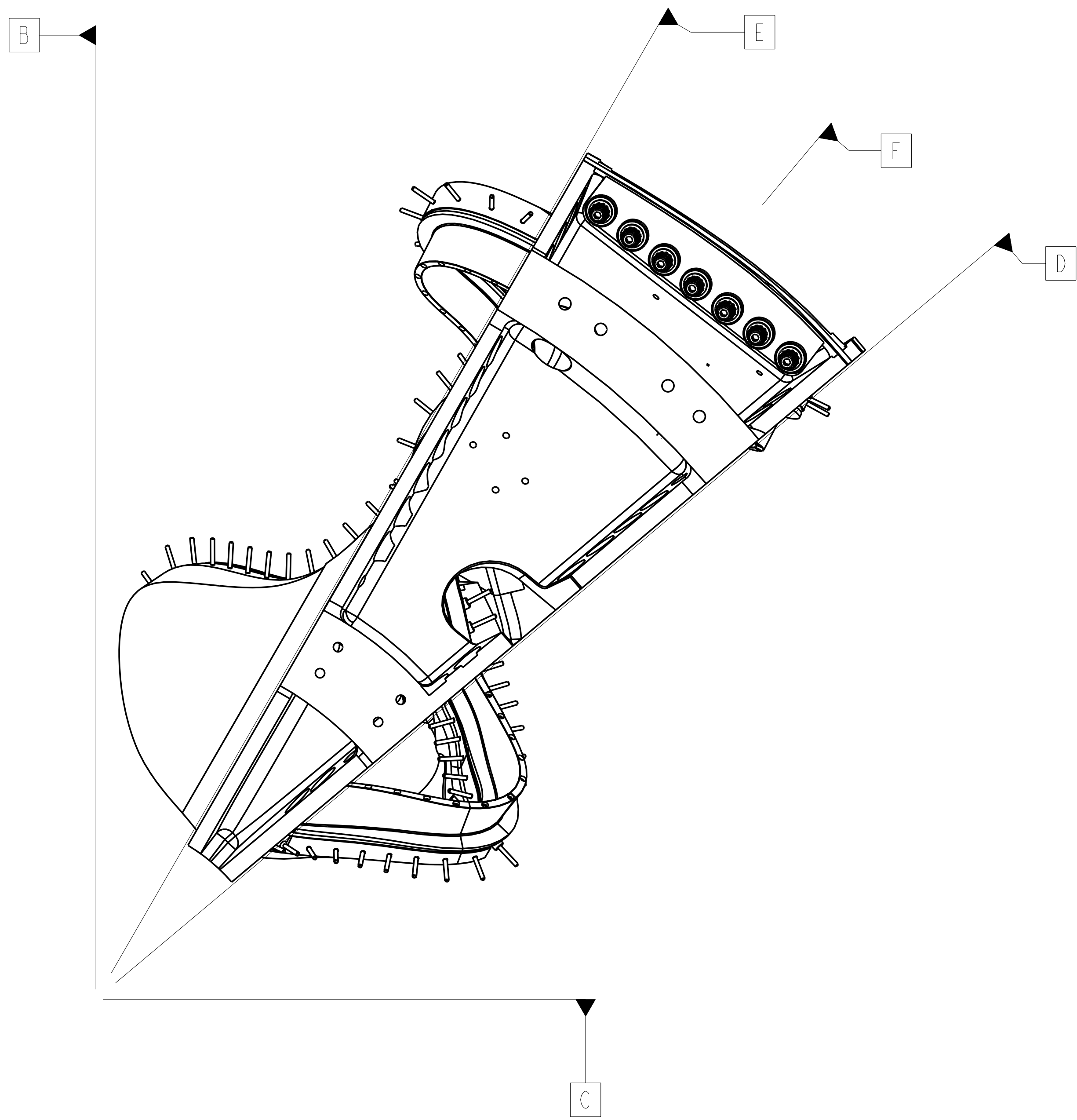
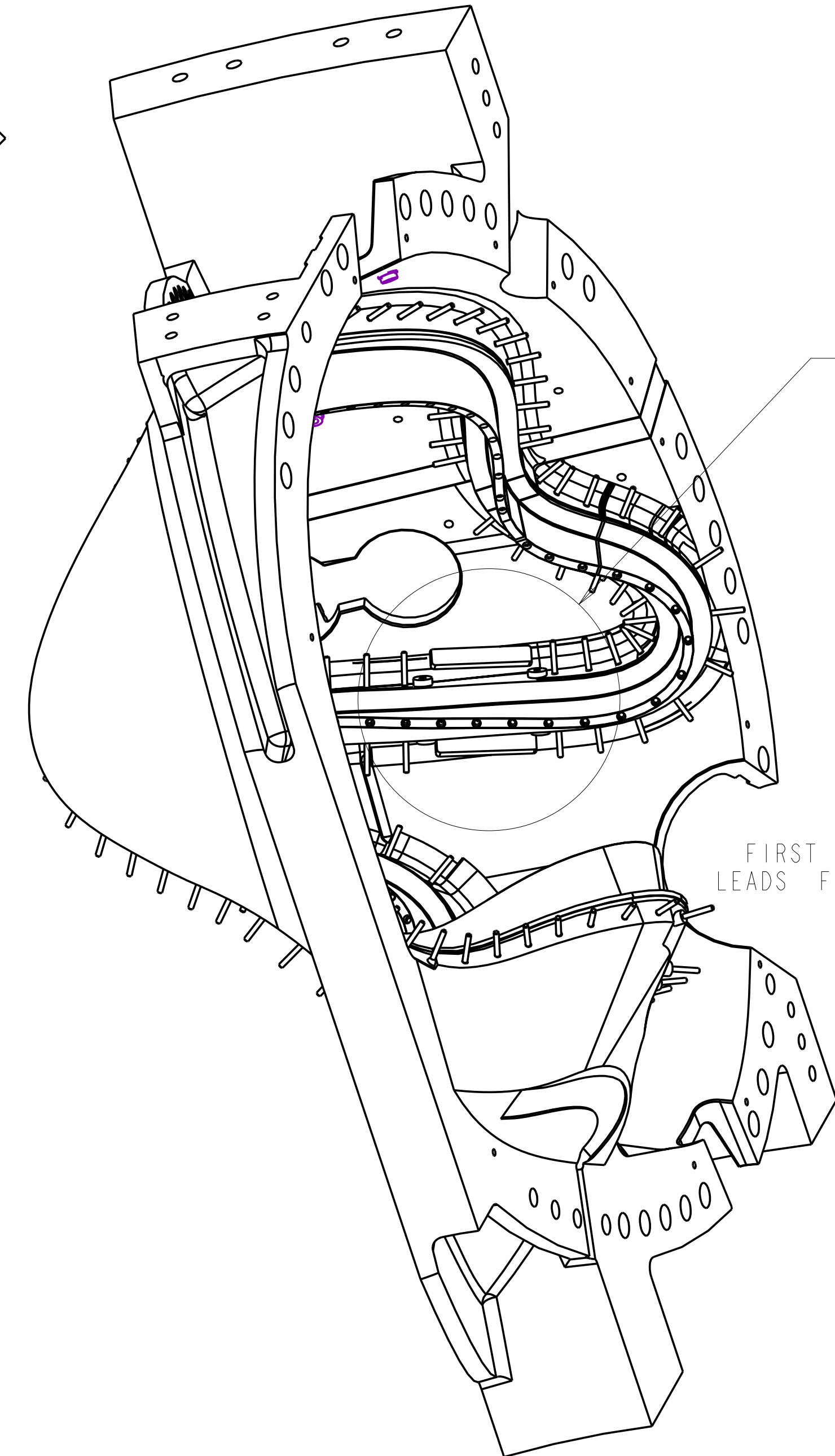


- NOTES:
1. DRAWING PREPARED IN ACCORDANCE WITH ASME Y14.8M-1996.
  2. INTERPRET DIMENSIONS AND TOLERANCES PER ANSI Y14.5M-1994.
  3. DIMENSIONS ARE IN INCHES.
  4. DRAWING DEPICTS FINAL MACHINED STATE OF PART DEFINED BY PRO/ENGINEER FILE SE141-116.PRT.
  5. UNLESS OTHERWISE SPECIFIED, DIMENSIONS ARE RELATED TO DATUM A- (PRIMARY X-Y PLANE, TOP) DATUM B- (SECONDARY Y-Z PLANE, SIDE) DATUM C- (TERTIARY X-Z PLANE, FRONT)
  6. DIMENSIONS APPLY AT TEMPERATURE OF 20-30°C (68-86°F)
  7. APPROXIMATE WEIGHT = 5616 LBS



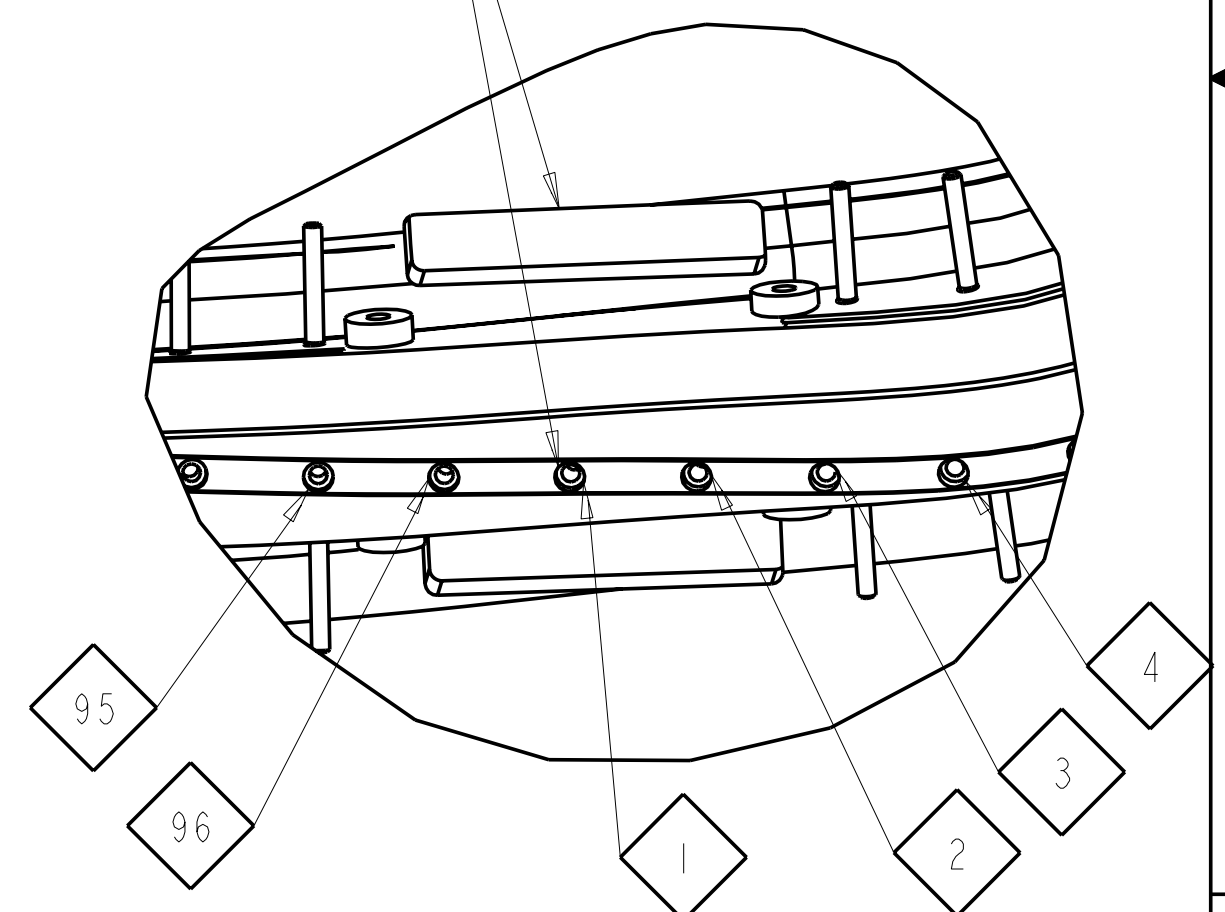
CLAMP MOUNTING DETAIL NUMBER SEQUENCE  
 SCALE 0.125



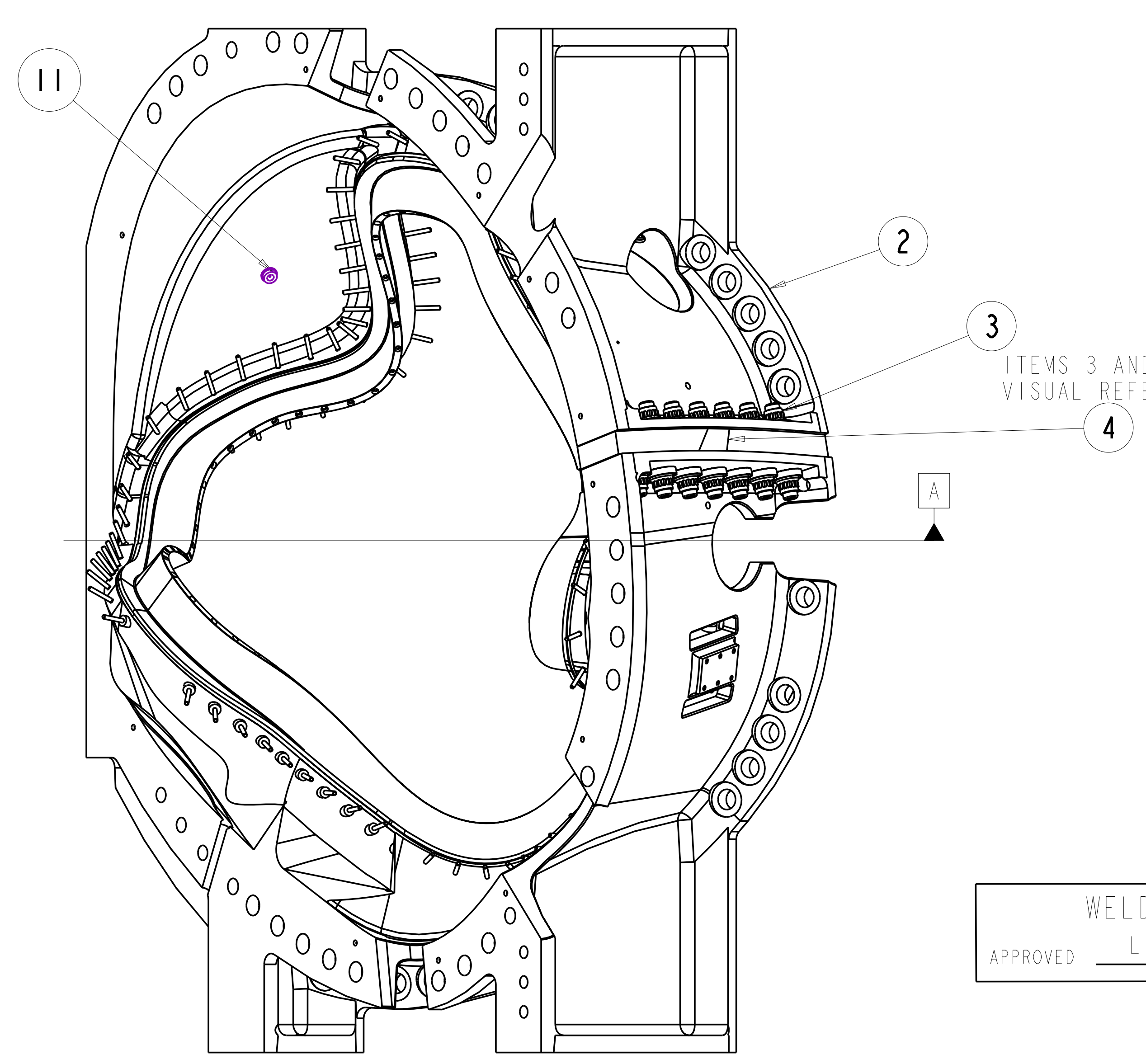
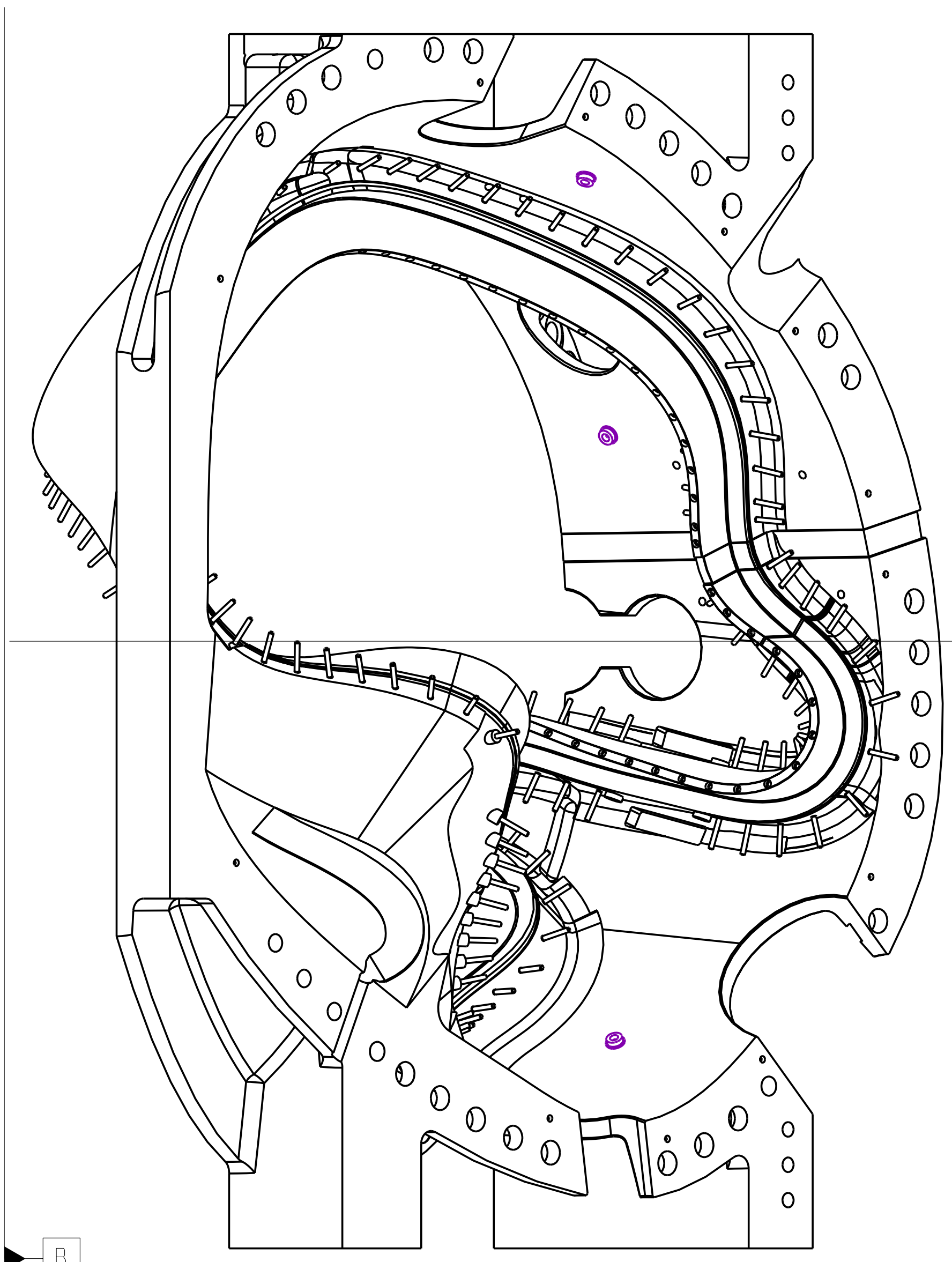
ISOMETRIC VIEW TO LOCATE FIRST HOLE IN WINDING FORM  
 SCALE 0.125

SEE DETAIL A

FIRST HOLE IS CENTERED WITHIN LEADS FEED THRU LEAD OPENING CUTS. AS SHOWN. REMOVE STUDS OVER CUTS



DETAIL A  
 SCALE 0.250



ITEMS 3 AND 4 SHOWN FOR VISUAL REFERENCE ONLY.

WELDING ENGINEER  
 APPROVED: L. DUDEK DATE: 06/05

AR	X	CAGE CODE	PART OR IDENTIFYING NO	NOMENCLATURE OR DESCRIPTION	MATERIAL	SPECIFICATION	FIND NO
			-11	METROLOGY TARGET		N/A	11
			-10	LEAD BLOCK MOUNT #4	UNS S31600	N/A	10
			-9	LEAD BLOCK MOUNT #3	UNS S31600	N/A	9
			-8	LEAD BLOCK MOUNT #2	UNS S31600	N/A	8
			-7	LEAD BLOCK MOUNT #1	UNS S31600	N/A	7
			-6	ADAPTER, 1 DIA X.84 LNG	UNS S31600	N/A	6
			-5	STUD, 3/8-16UNC X 2.5 LG	UNS S31600	N/A	5
			-4	POLOIDAL BREAK BOLT ASSEMBLY			4
			-3	POLOIDAL BREAK ASSEMBLY			3
				SE141-123	LAWTON STOCKED MCWF		2
			-1	TYPE "C" WINDING FORM MODS ASM			1

← NEXT ASSEMBLY

PARTS LIST

NO REPRESENTATION OR WARRANTY, EXPRESSED OR IMPLIED, IS MADE AS TO THE ACCURACY, COMPLETENESS OR USEFULNESS OF THE INFORMATION OR STATEMENTS CONTAINED IN THESE DRAWINGS, OR THAT THE USE OR DISCLOSURE OF ANY INFORMATION, APPARATUS, METHOD OR PROCESS DISCLOSED IN THESE DRAWINGS MAY NOT INFRINGE PRIVATE RIGHTS OF OTHERS. NO LIABILITY IS ASSUMED WITH RESPECT TO THE USE OF, OR FOR DAMAGES RESULTING FROM THE USE OF, ANY INFORMATION, APPARATUS, METHOD OR PROCESS DISCLOSED IN THESE DRAWINGS. DRAWINGS MADE AVAILABLE FOR INFORMATION TO BIDDER ARE NOT TO BE USED FOR OTHER PURPOSES, AND ARE TO BE RETURNED UPON REQUEST OF THE FORWARDING CONTRACTOR.

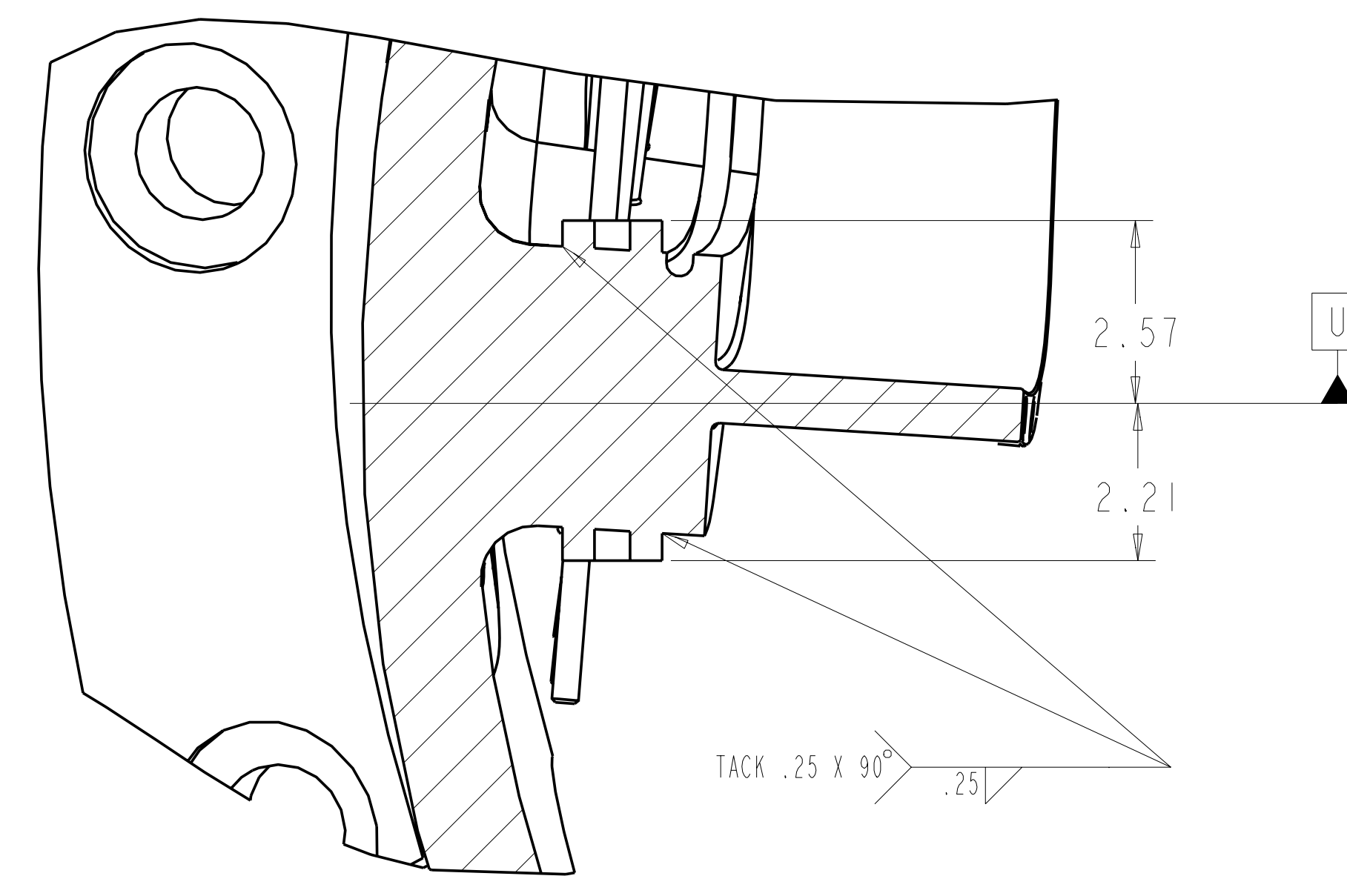
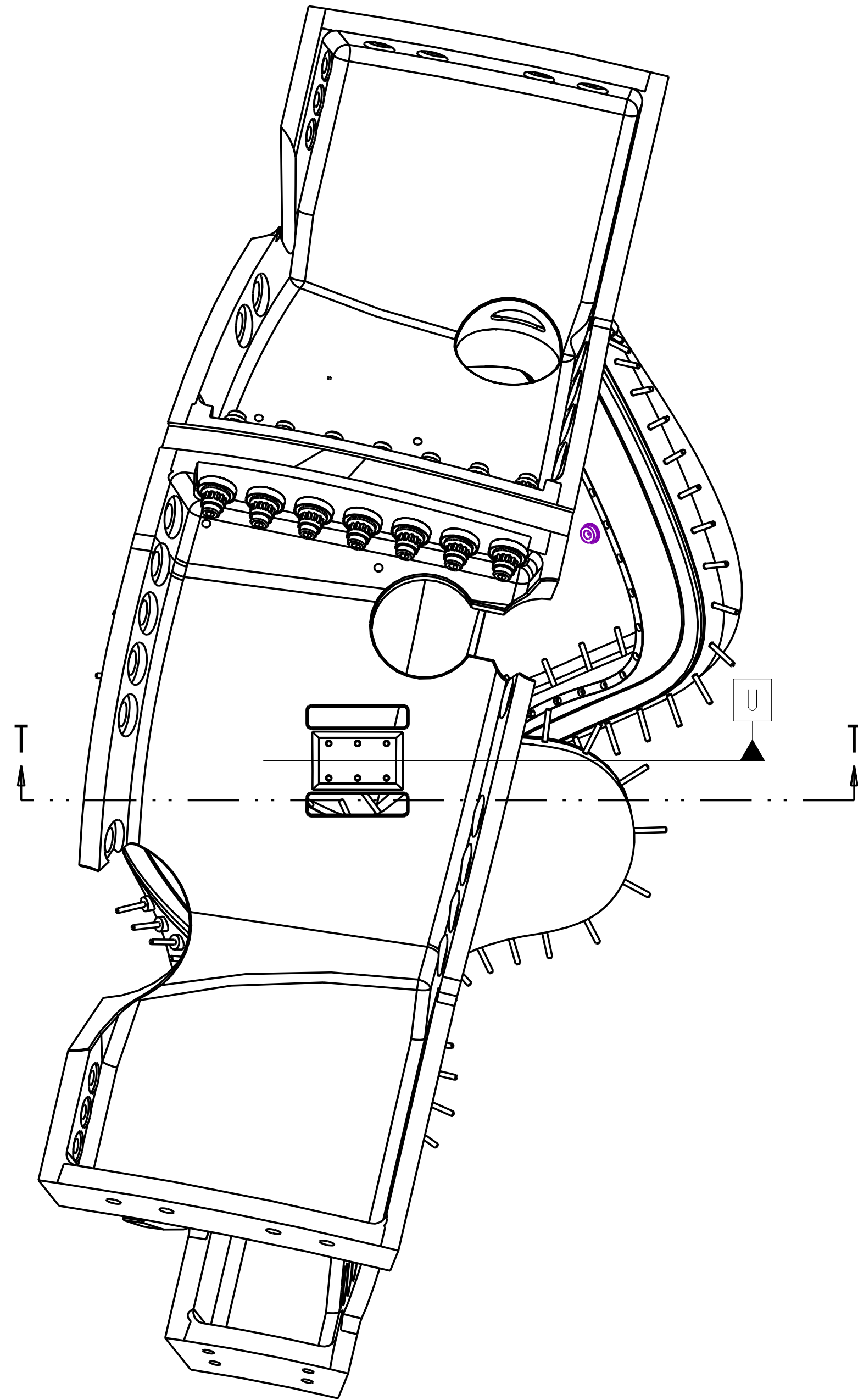
**P** THIS DRAWING PRODUCED ON PRO-ENGINEER

I  
 SCALE 0.125

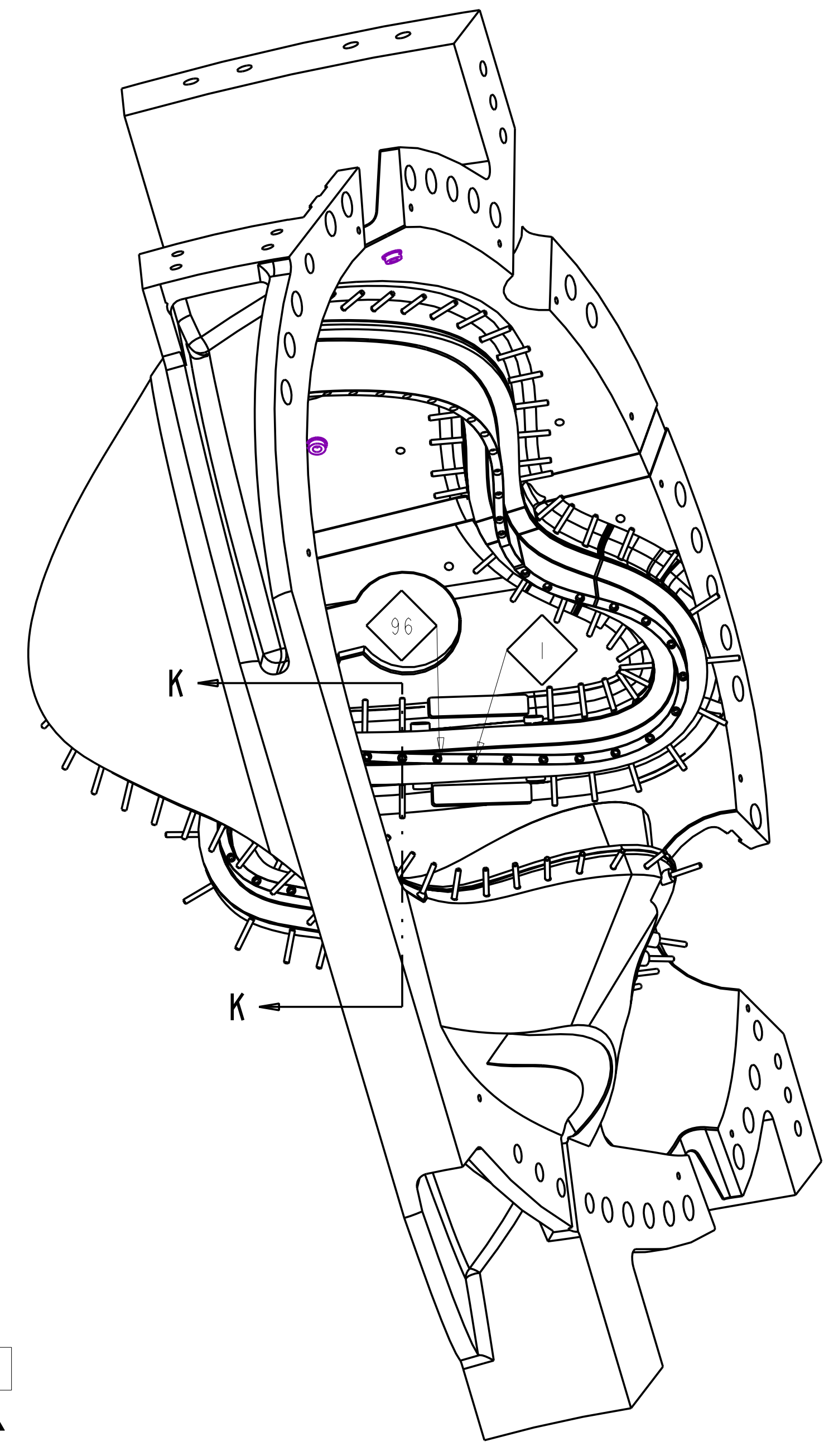
REV	DESCRIPTION	BY	DATE	CHK	DEPT	DATE	PE	REG	DATE	ORNL	DOE	DATE
0	INITIAL RELEASE	GLL	7-05				DEW					

SCALE NOTED	DES	DRW	CHK	SECT	DEPT	PE	CR	PJ	REG	PPPL DRFT
	D WILLIAMSON	G LOVETT	T BROWN			D WILLIAMSON				J STEGEL

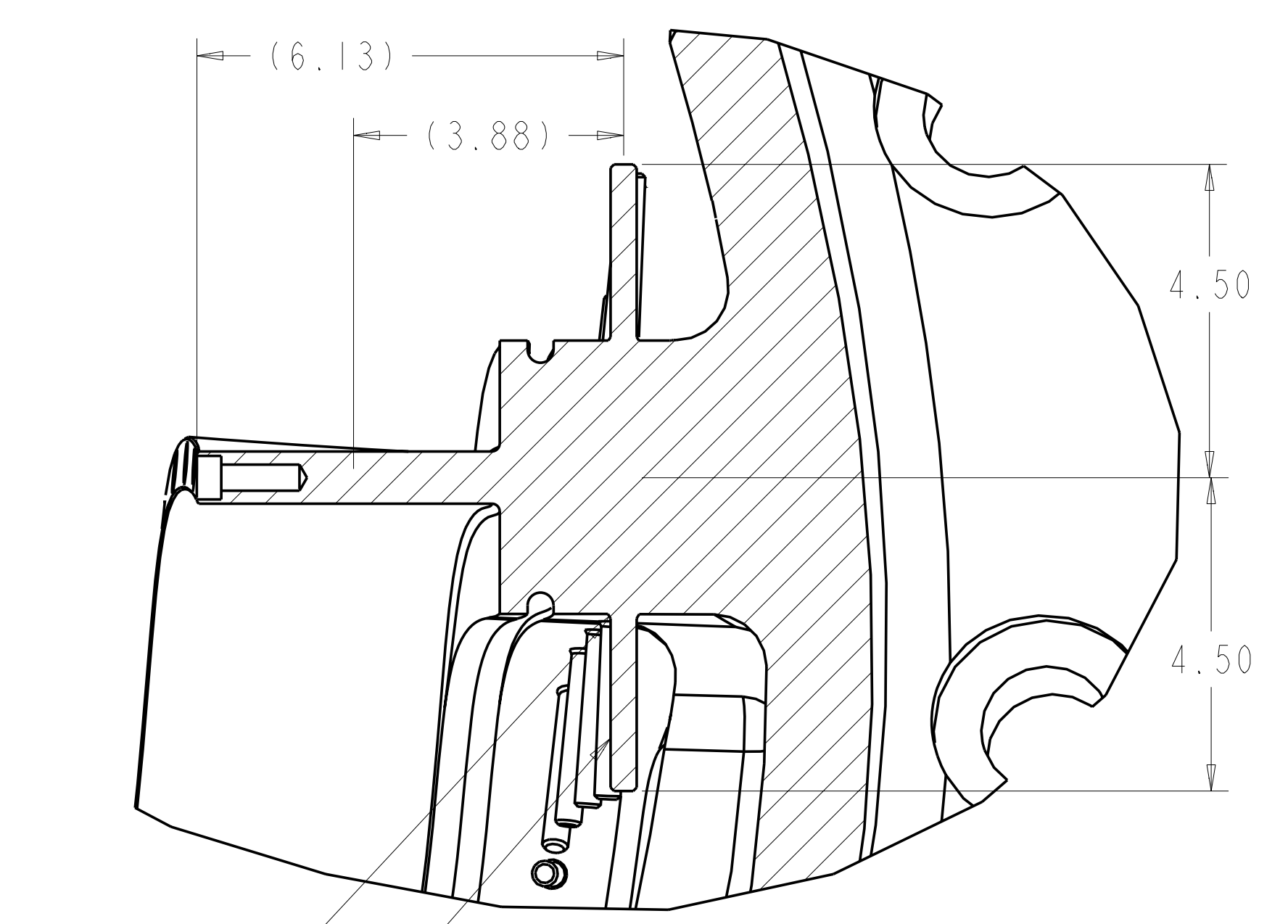
<b>UT-BATTELLE</b>		Oak Ridge National Laboratory managed for the DEPARTMENT OF ENERGY under U.S. GOVERNMENT contract DE-AC05-00OR22725 UT-BATTELLE, LLC, Oak Ridge, Tennessee	
NATIONAL COMPACT STELLARATOR EXPERIMENT			
MODULAR COIL TYPE-C WINDING FORM AND STUD WELDMENT			
VERSION NO.	PLANT	BLDG	FL
28	X-10	5700	3
RELEASE LEVEL	SE141-123		REV
WIP			0



SECTION R-R  
SCALE 0.50



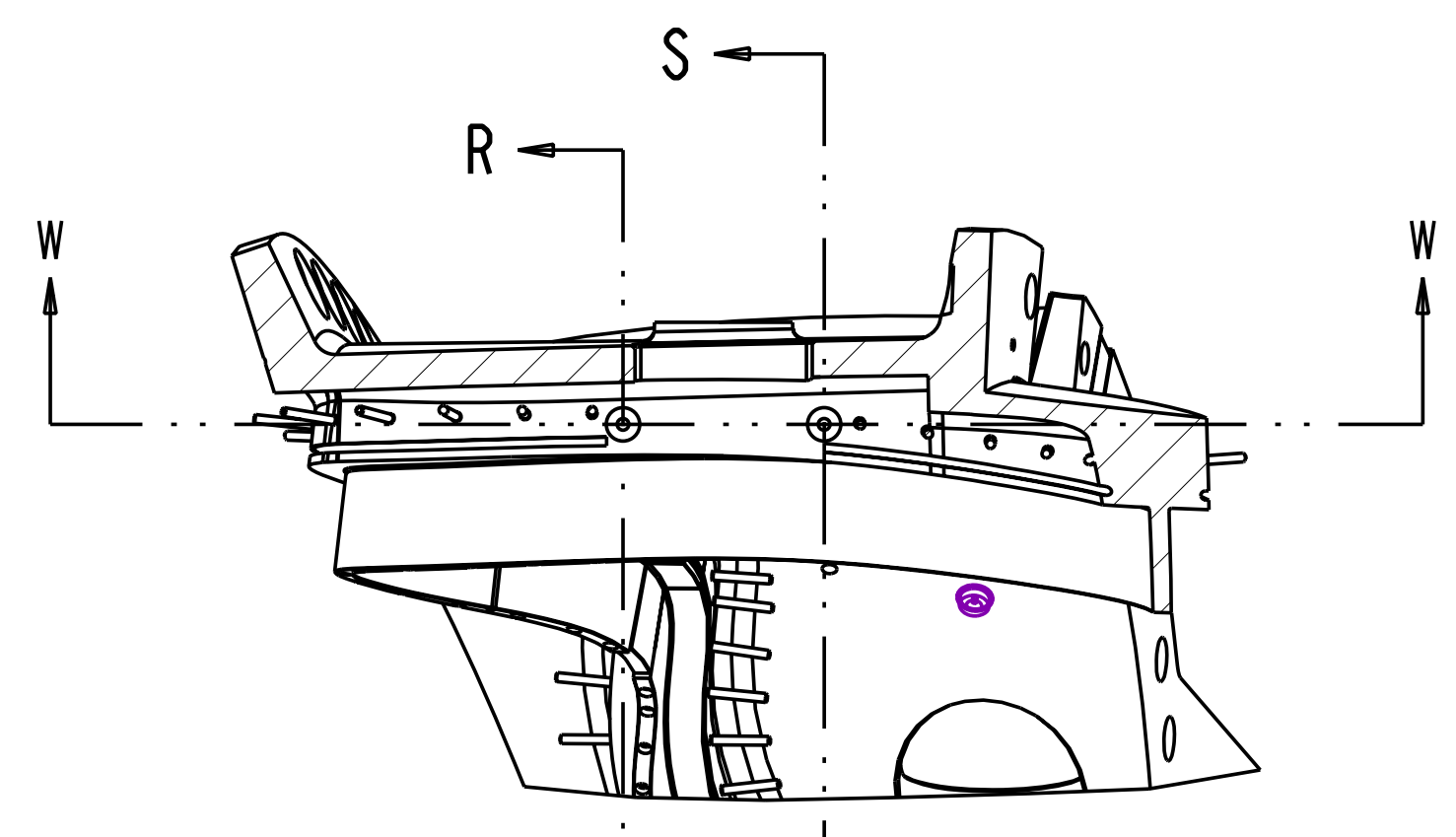
SCALE 0.13



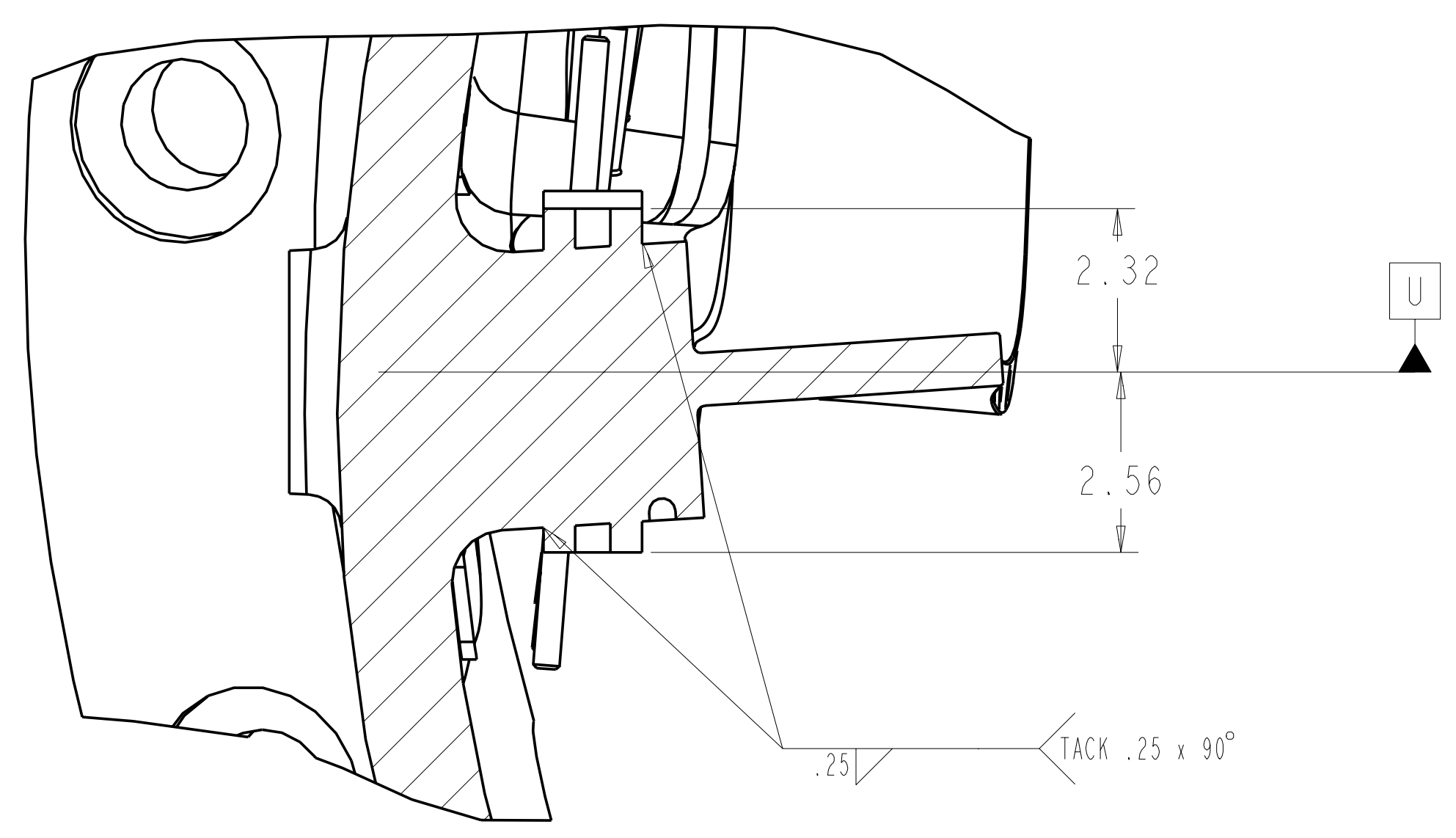
SECTION K-K  
SCALE 0.50

TERMINAL LEADS AND CROSSOVER INFORMATION

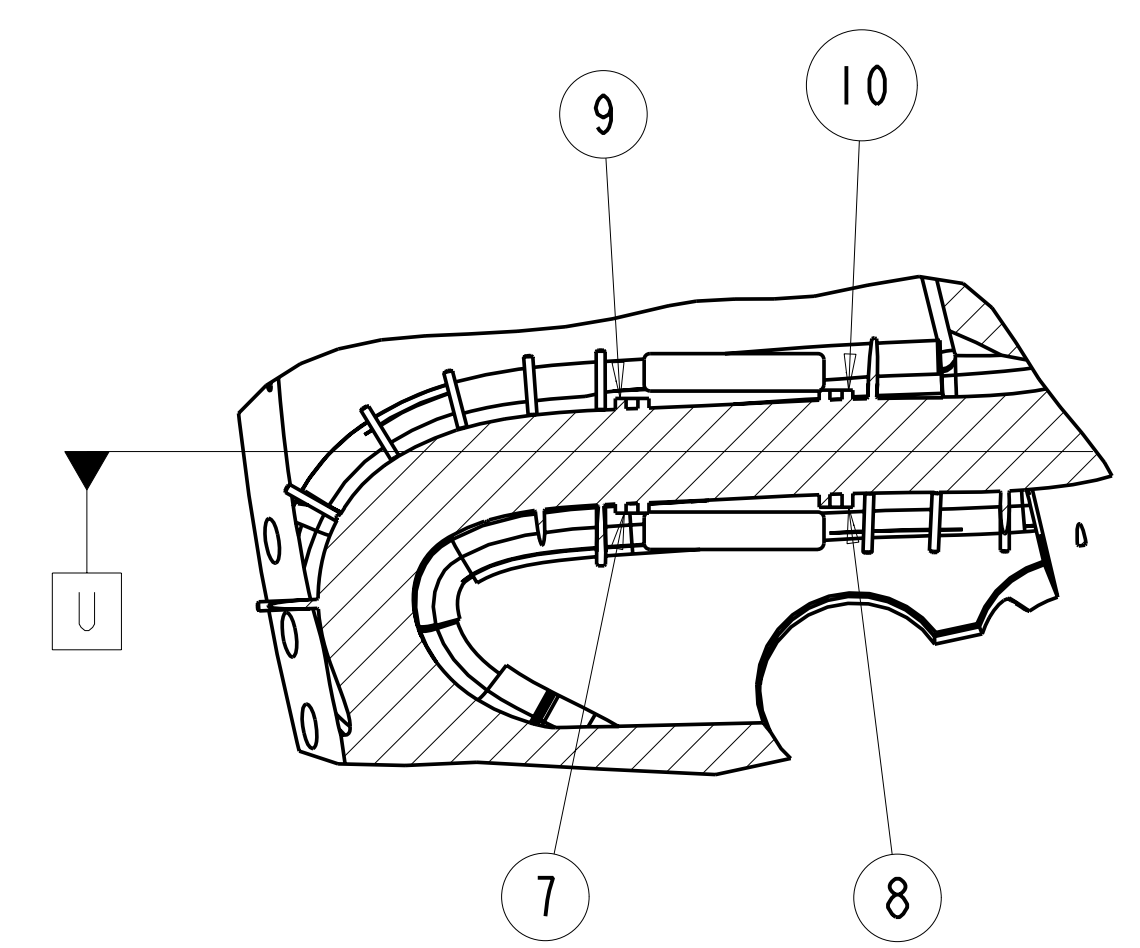
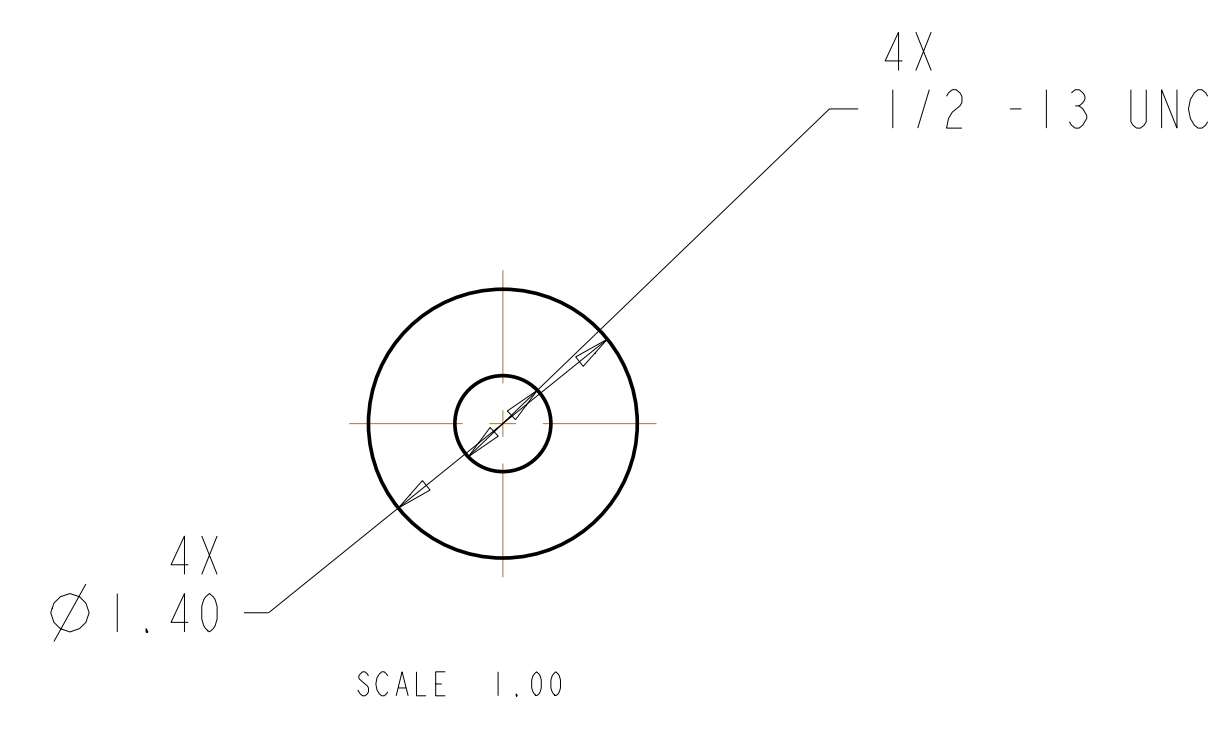
SCALE 0.13



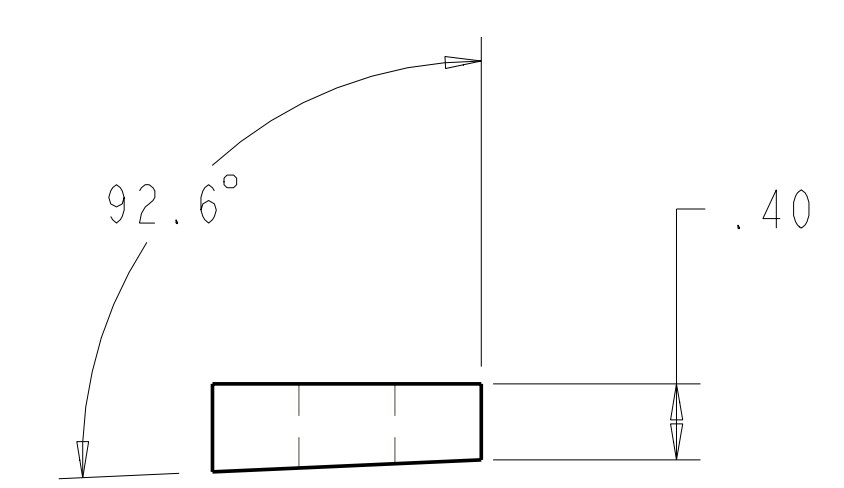
SECTION T-T  
VIEW FROM SIDE "A"



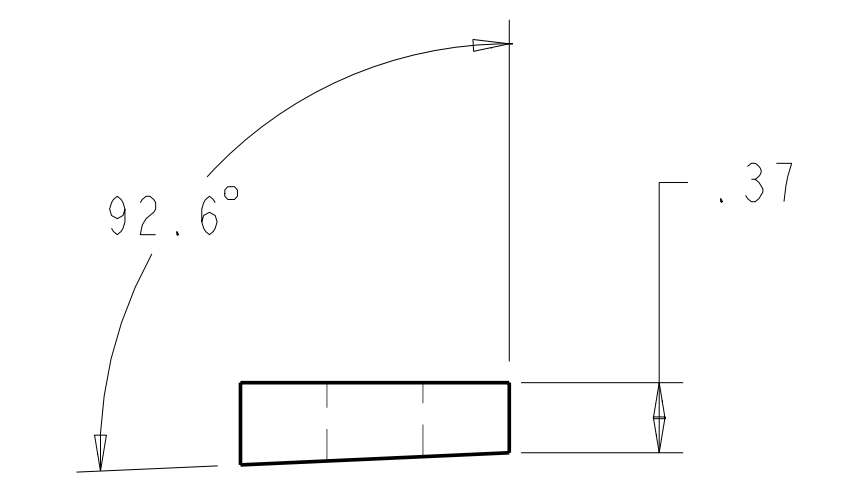
SECTION S-S  
SCALE 0.50



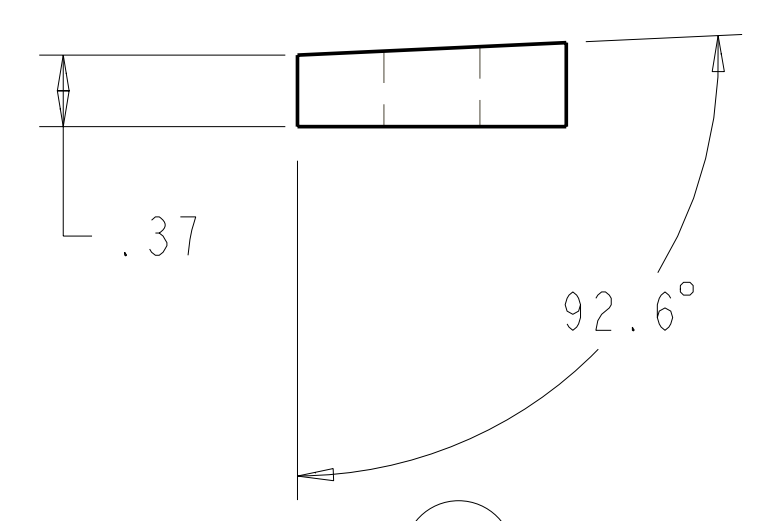
SECTION W-W



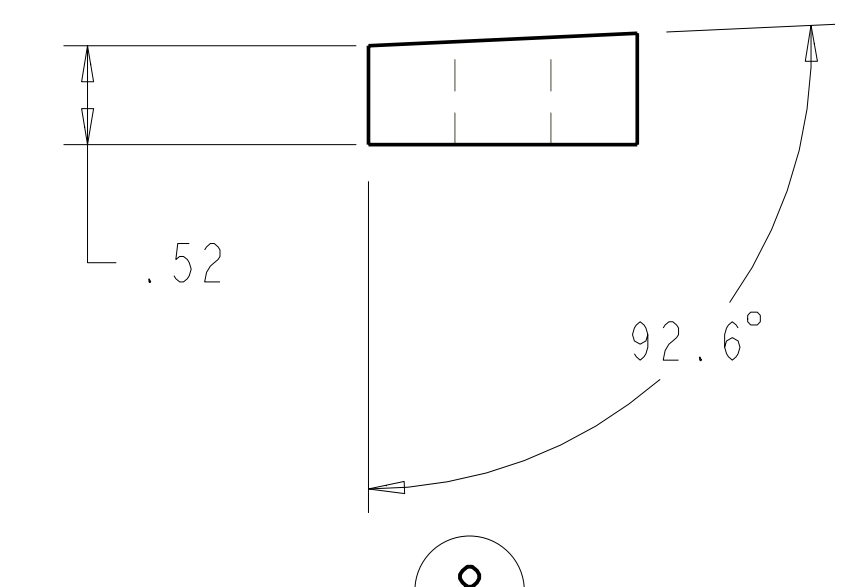
9



10



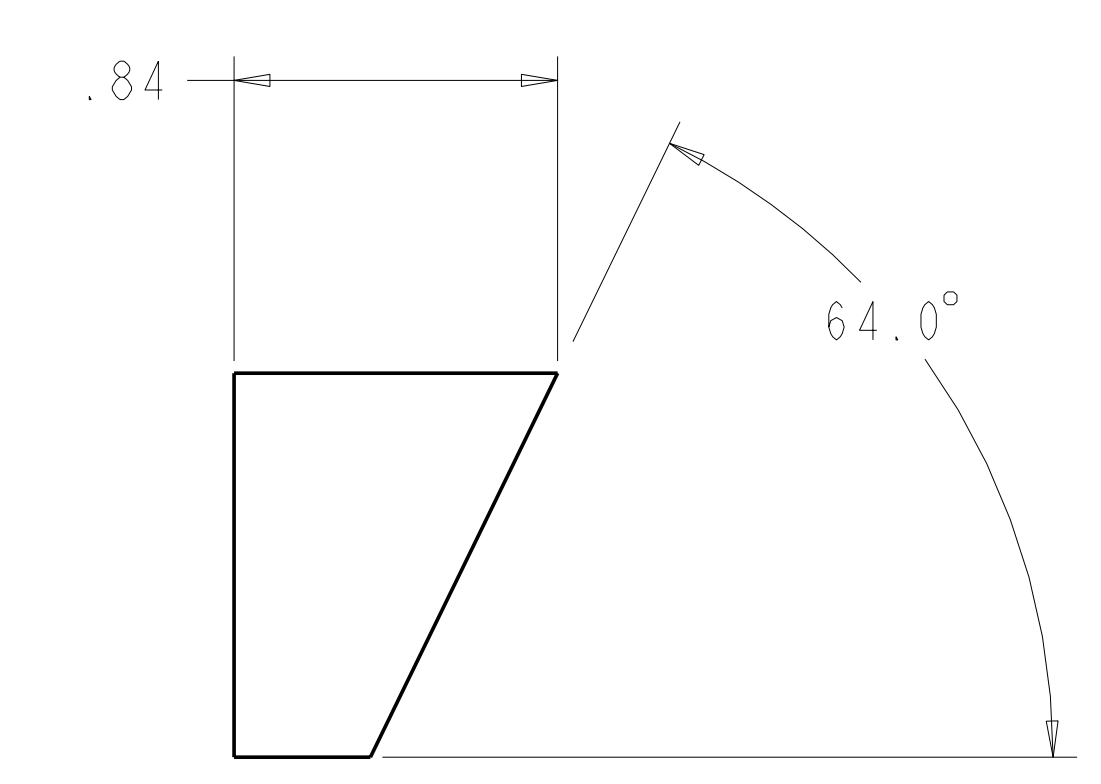
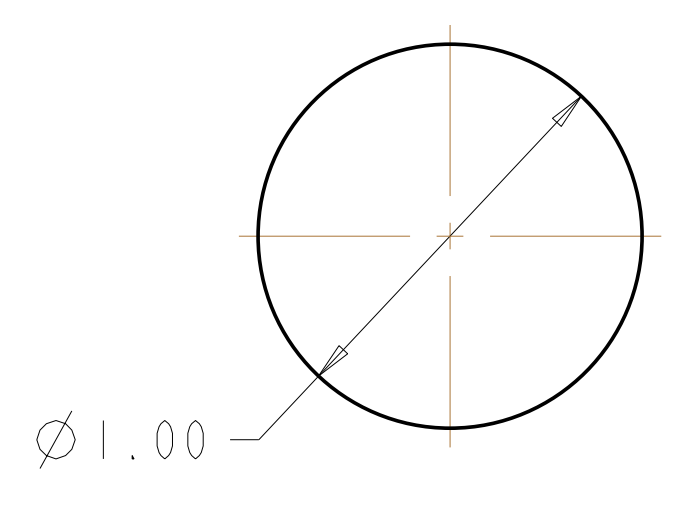
7



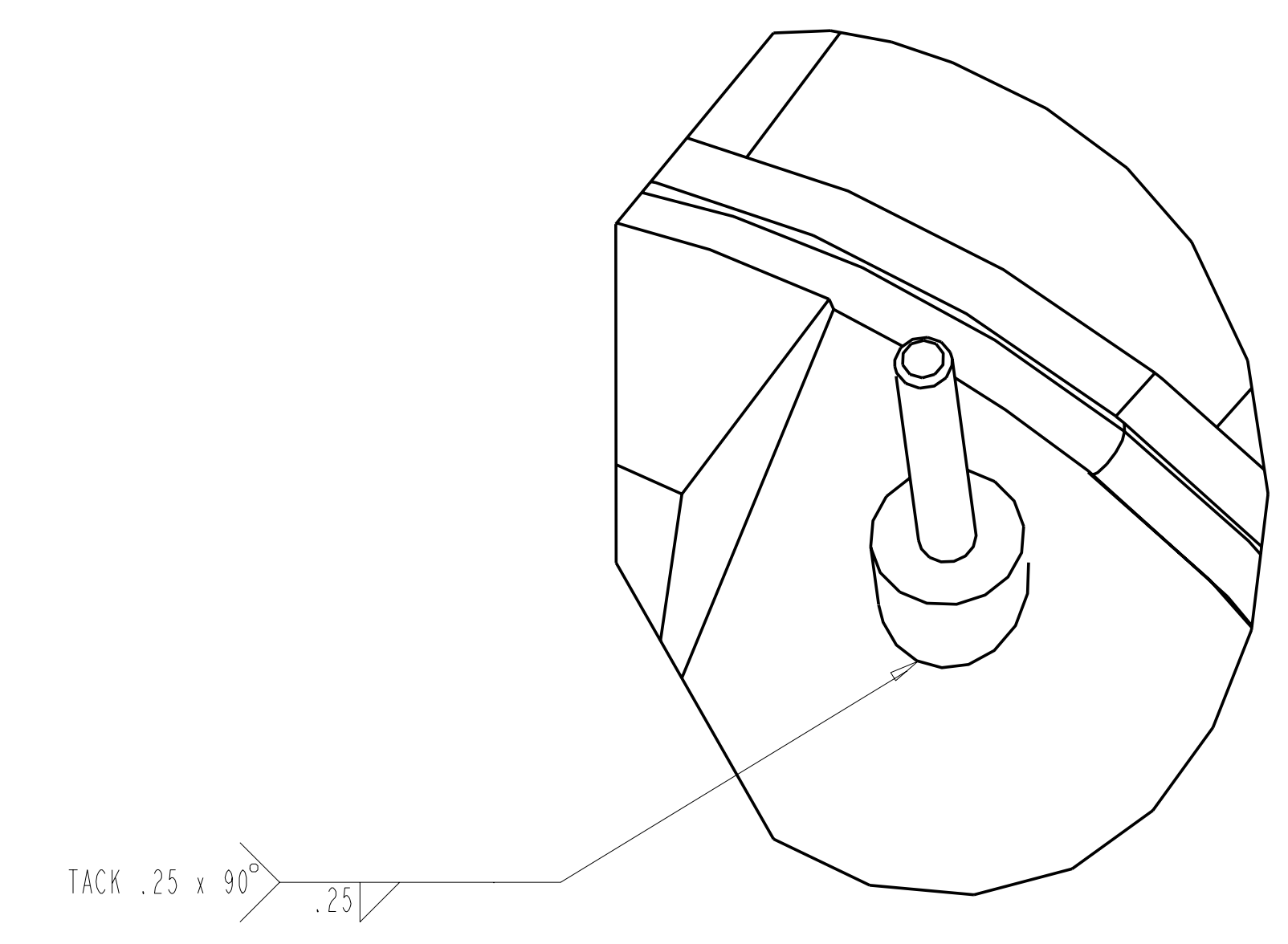
8

Oak Ridge National Laboratory managed for the DEPARTMENT OF ENERGY under U.S. GOVERNMENT contract DE-AC05-00OR22725 UT-BATTELLE, LLC, Oak Ridge, Tennessee PROJECT NAME							
<b>UT-BATTELLE</b> NATIONAL COMPACT STELLARATOR EXPERIMENT							
MODULAR COIL TYPE-C WINDING FORM AND STUD WELDMENT							
VERSION NO.	PLANT	BLDG	FL	SHT OF	TYPE	CLASS	
28	X-10	5700	3	2 3	S	U	
RELEASE LEVEL	SEI41-123						REV
WIP							0

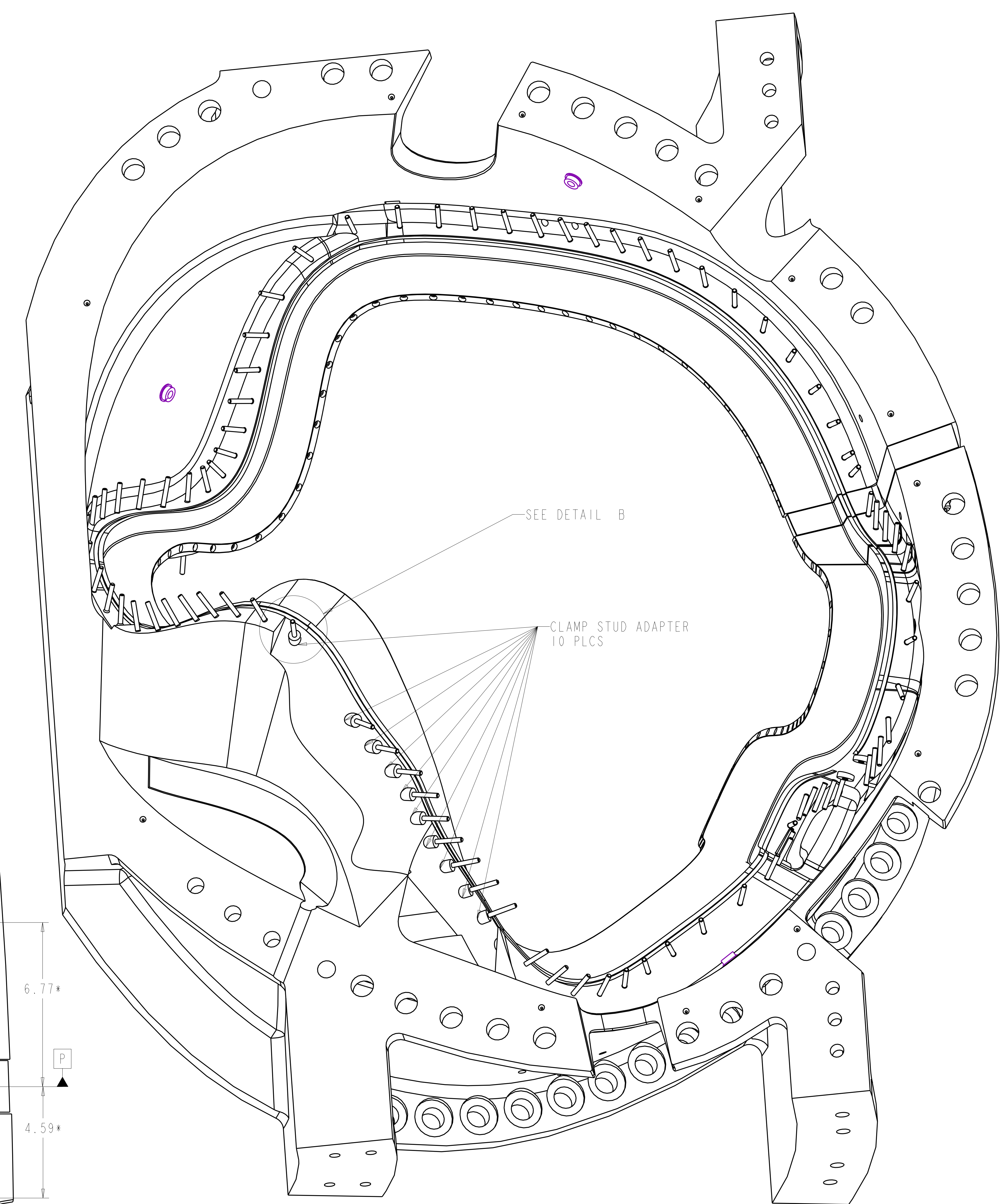
SEI41-123



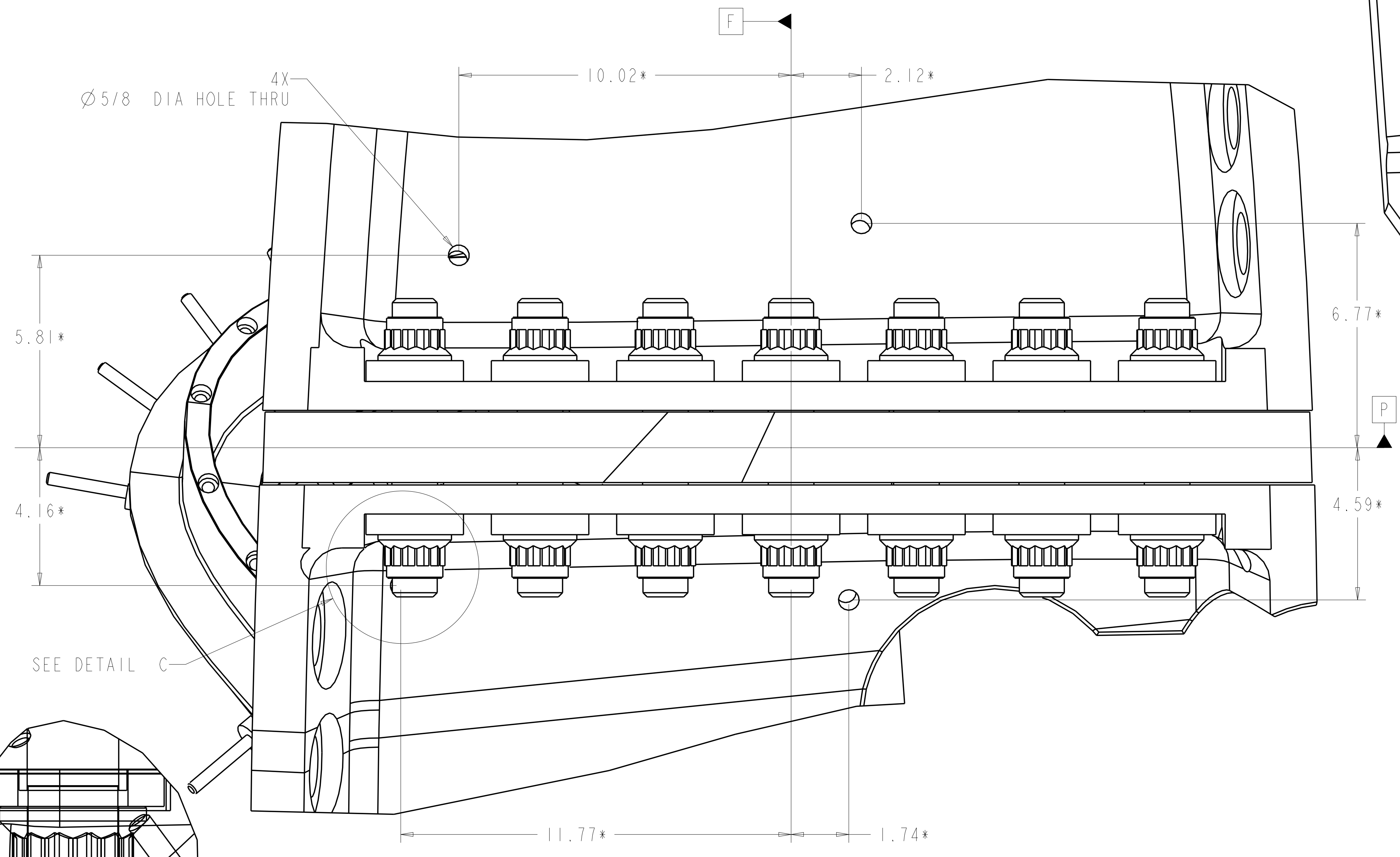
6 CLAMP STUD ADAPTER  
SCALE 2.00



DETAIL B  
(7X) SCALE 1.0

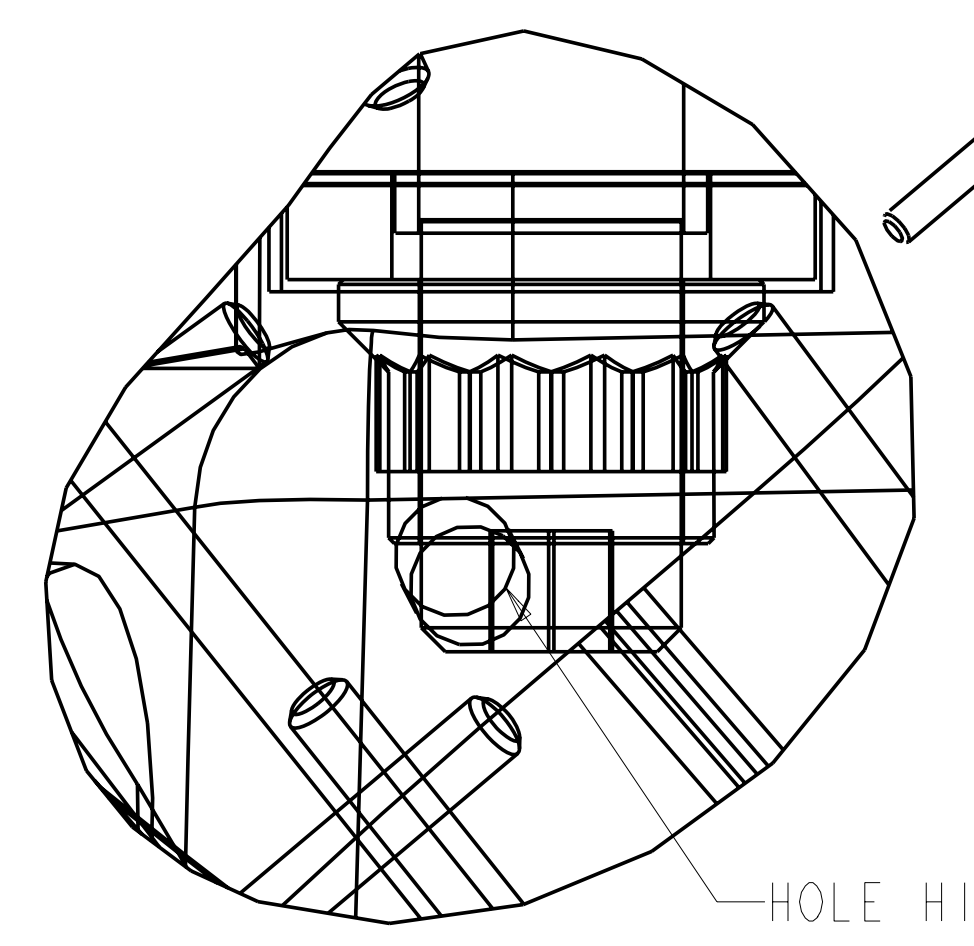


I  
SCALE 0.250



SCALE 0.50

\* DIMENSIONS ARE TO POINTS WHERE AXIS INTERSECTS OUTER SURFACE NORMAL AND TANGENT VIEW NORMAL AT DATUMS F AND P



DETAIL C  
SCALE 1.00

<b>UT-BATTELLE</b>		Oak Ridge National Laboratory managed for the DEPARTMENT OF ENERGY under U.S. GOVERNMENT contract DE-AC05-00OR22725 UT-BATTELLE, LLC, Oak Ridge, Tennessee	
PROJECT NAME			
<b>NATIONAL COMPACT STELLARATOR EXPERIMENT</b>			
MODULAR COIL TYPE-C WINDING FORM AND STUD WELDMENT			
VERSION NO. 28	PLANT X-10	BLDG 5700	FL SHT OF TYPE CLASS 3 3 3 S U
RELEASE LEVEL WIP	SEI41-123		REV 0

H  
G  
F  
E  
D  
C  
B  
A  
SEI41-123