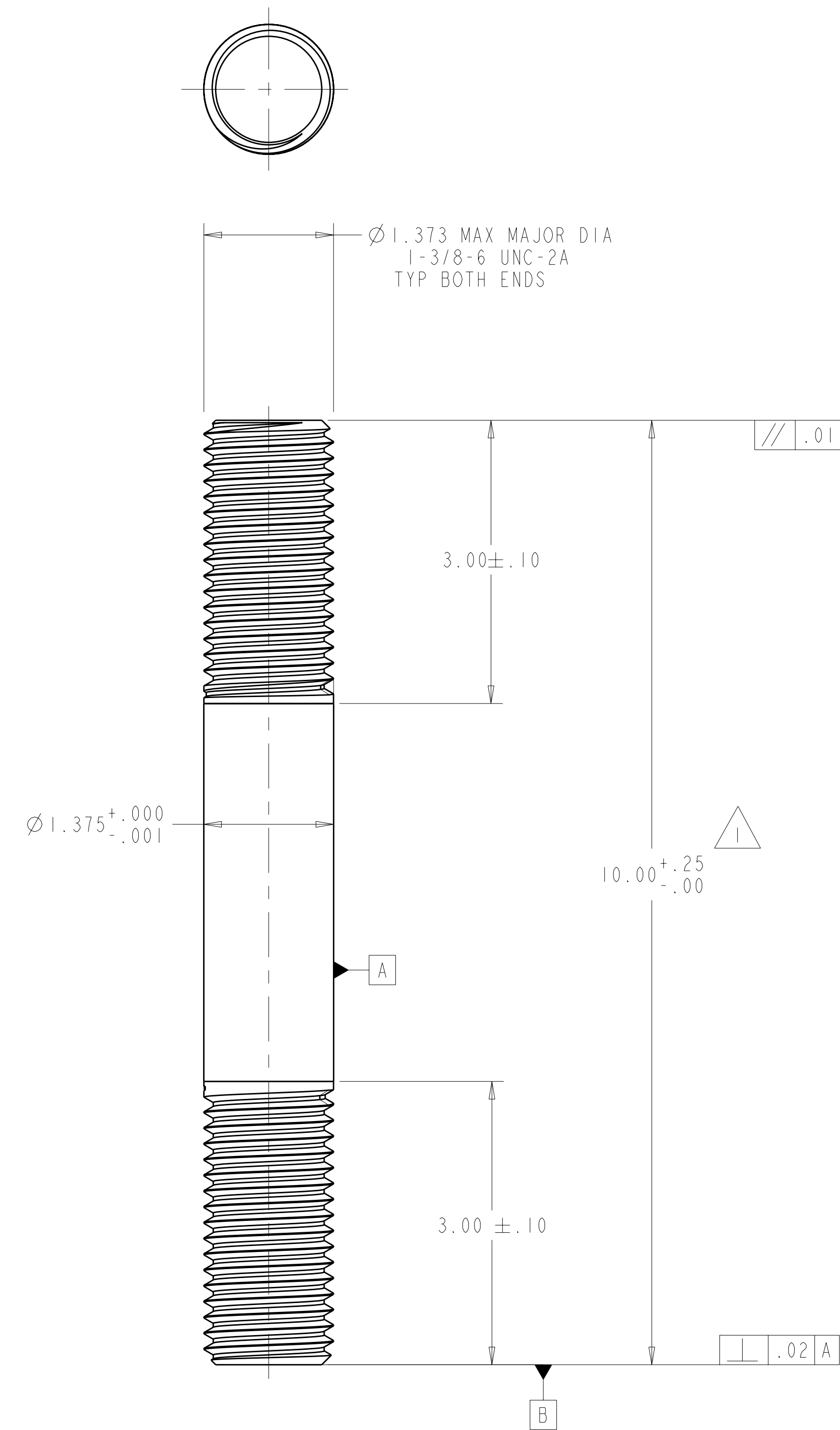
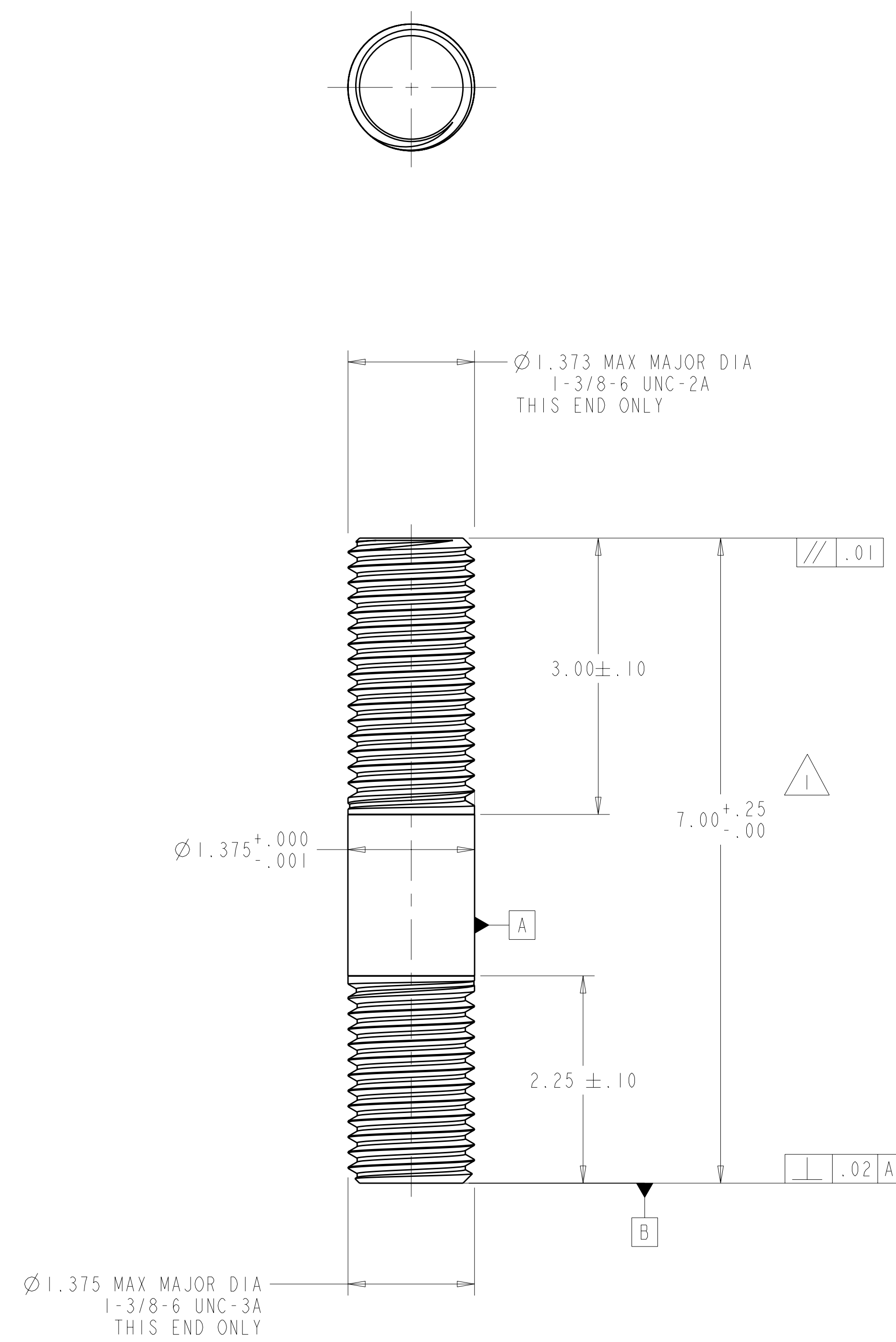


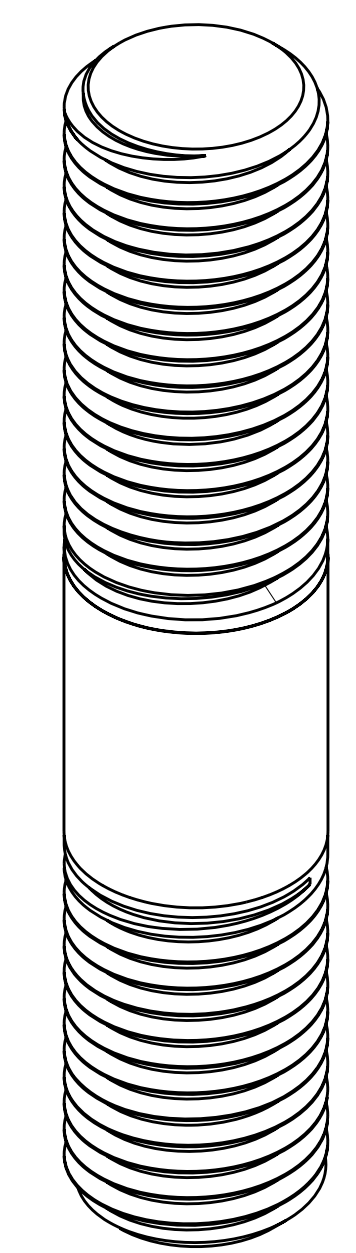
NOTES
 1. DRAWING PREPARED IN ACCORDANCE WITH ASME Y14.100-2004.
 2. INTERPRET DIMENSIONS AND TOLERANCES PER ASME Y14.5M-1994.
 3. DIMENSIONS ARE IN INCHES
 4. MAGNETIC PERMEABILITY NOT TO EXCEED 1.02 AS TESTED BY A SEVERN INDICATOR. AVAILABLE FROM:
 SEVERN ENGINEERING
 AUBURN, ALABAMA 36830
 WWW.SEVERNENGINEERING.COM



-1 MCWF FLANGE STUD
SCALE 1.00



-2 MCWF FLANGE STUD
SCALE 1.00



ISOMETRIC VIEW
SCALE 1.00

REV	DESCRIPTION	BY	DATE	CHK	DEPT	DATE	PE	REQ	DATE	ORNL	DOE	DATE
1	PER ECN # 5244		GM			04/07						
1	7.00 WAS 7.50, 10.00 WAS 10.50,											
0	ORIGINAL ISSUE		GM			02/07						

REV	DESCRIPTION	BY	DATE	CHK	DEPT	DATE	PE	REQ	DATE	ORNL	DOE	DATE
1	PER ECN # 5244		GM			04/07						
1	7.00 WAS 7.50, 10.00 WAS 10.50,											
0	ORIGINAL ISSUE		GM			02/07						

SCALE	NOTED	DES	D WILLIAMSON	02/07
TOLERANCES	UNLESS OTHERWISE SPECIFIED	DRW	G MCGINNIS	02/07
FRACTIONS		CHK	M COLE	02/07
XX DECIMALS	±.01	SECT :		
XXX DECIMALS	±.005	DEPT :		
ANGLES	±0°15'	PE	D WILLIAMSON	02/07
BREAK SHARP EDGES	OR MAX	CR :		
FINISH	.125 UNLESS OTHERWISE SPECIFIED	PJ :		
		RD :		
		PPPL DRFT	J SIEGEL	02/07
		VERSION NO.	2	
		PLANT	ORNL	
		BLDG	5700	
		FL	3	
		SHT	1	
		TYPE	I	
		CLASS	S	
		REV	U	

CAGE CODE	PART OR IDENTIFYING NO	NOMENCLATURE OR DESCRIPTION	MATERIAL	SPECIFICATION	FIND NO
SE100-001	-2	1-3/8- 6 UNC X 7.00LG STUD	UNS S66286	ASTM A453 GRADE 660B	2
SE100-002	-1	1-3/8- 6 UNC X 10.00LG STUD	SILVER PLATE THRDS PER AMS 2410	ASTM A453 GRADE 660B	1

PARTS LIST

NO REPRESENTATION OR WARRANTY, EXPRESSED OR IMPLIED, IS MADE AS TO THE ACCURACY, COMPLETENESS OR USEFULNESS OF THE INFORMATION OR STATEMENTS CONTAINED IN THESE DRAWINGS, OR THAT THE USE OR DISCLOSURE OF ANY INFORMATION, APPARATUS, METHOD OR PROCESS DISCLOSED IN THESE DRAWINGS MAY NOT INFRINGE PRIVATE RIGHTS OF OTHERS. NO LIABILITY IS ASSUMED WITH RESPECT TO THE USE OF, OR FOR DAMAGES RESULTING FROM THE USE OF, ANY INFORMATION, APPARATUS, METHOD OR PROCESS DISCLOSED IN THESE DRAWINGS. DRAWINGS MADE AVAILABLE FOR INFORMATION TO BIDDER ARE NOT TO BE USED FOR OTHER PURPOSES, AND ARE TO BE RETURNED UPON REQUEST OF THE FORWARDING CONTRACTOR.

P THIS DRAWING PRODUCED ON PRO-ENGINEER

SCALE NOTED

Oak Ridge National Laboratory managed for the DEPARTMENT OF ENERGY under U.S. GOVERNMENT contract DE-AC05-00OR22725 UT-BATTELLE, LLC, Oak Ridge, Tennessee

NATIONAL COMPACT STELLARATOR EXPERIMENT

MCWF FLANGE STUDS

VERSION NO. 2
 PLANT ORNL
 BLDG 5700
 FL 3
 SHT 1
 OF 1
 TYPE S
 CLASS U
 RELEASE LEVEL WIP
 SEI40-191