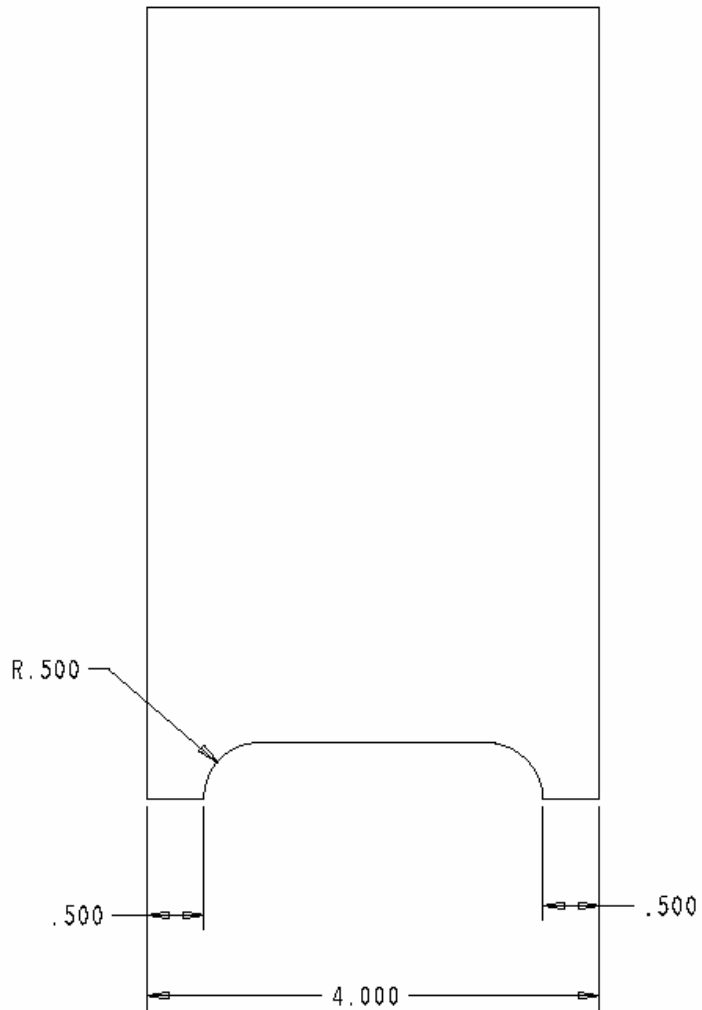
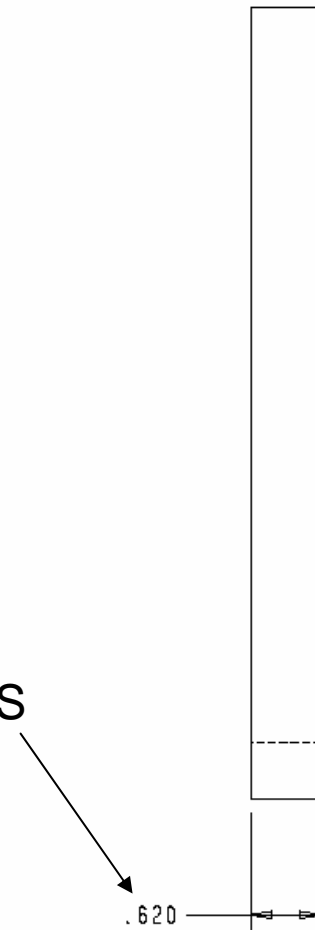


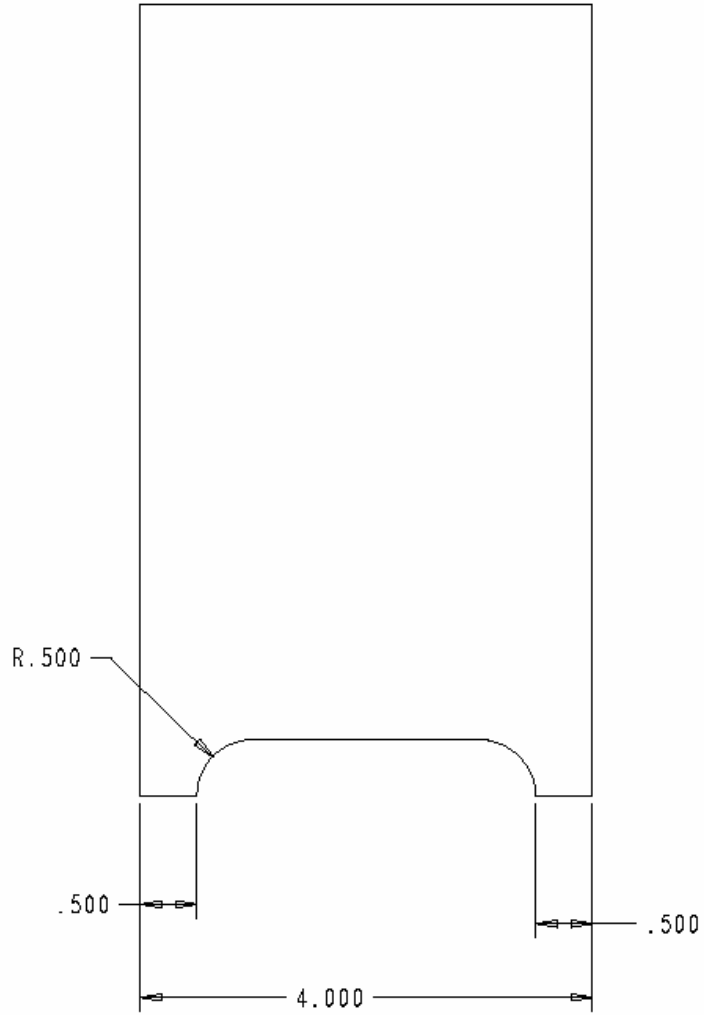
PLUG WELD INBOARD SHIM

08-09-2007



STOCK
THICKNESS





MACHINE
DOWN TO

