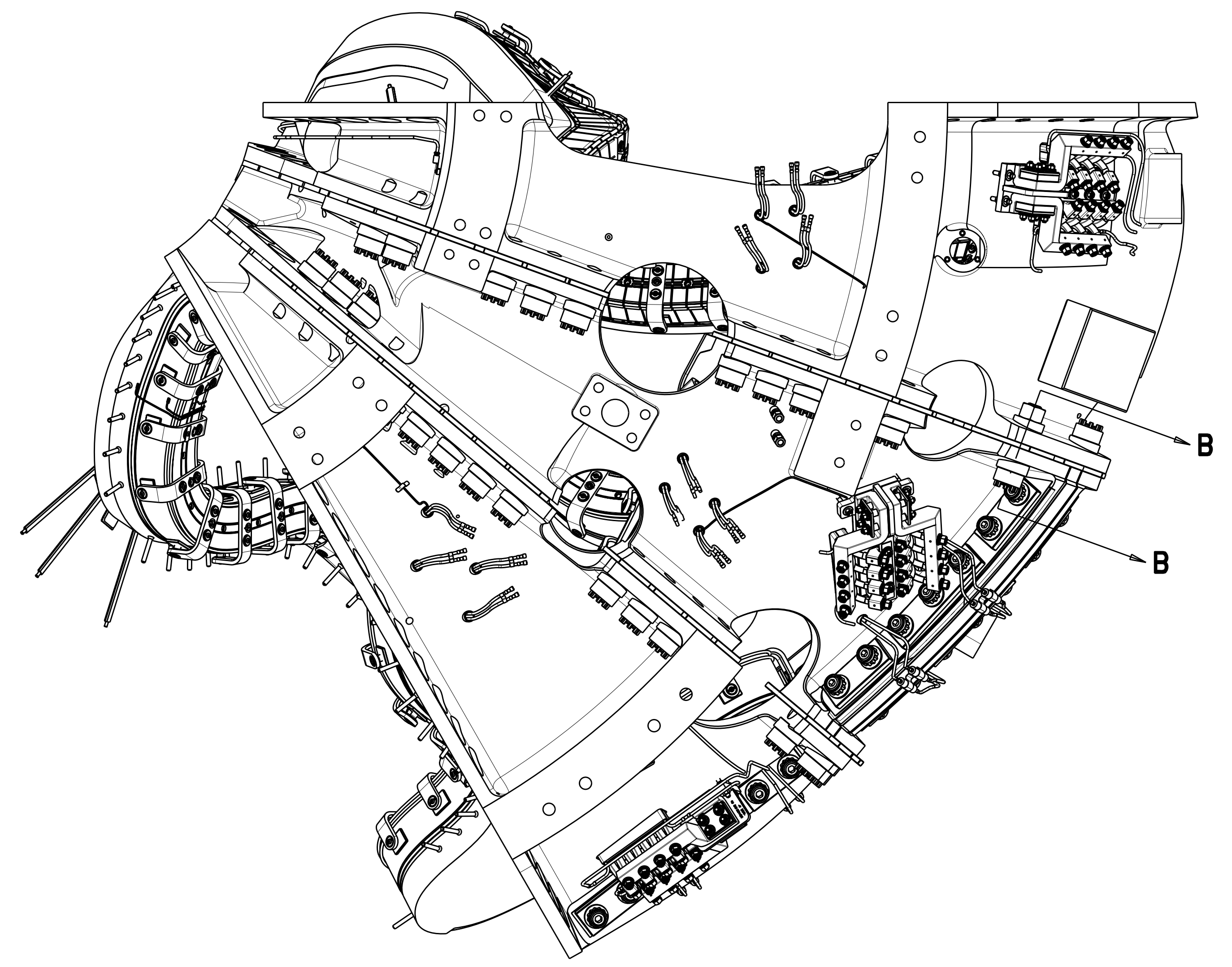
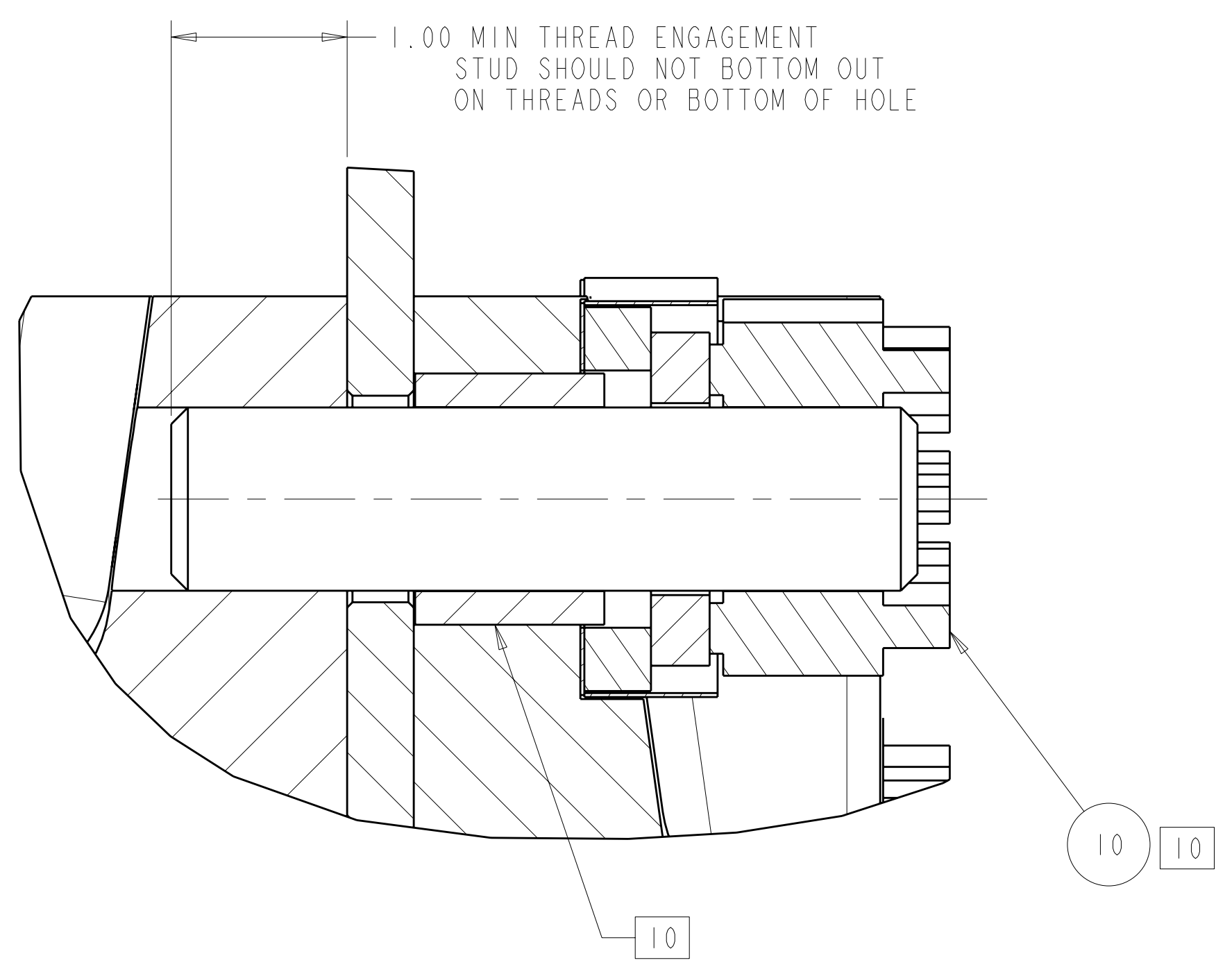


TOP VIEW
SCALE 0.125

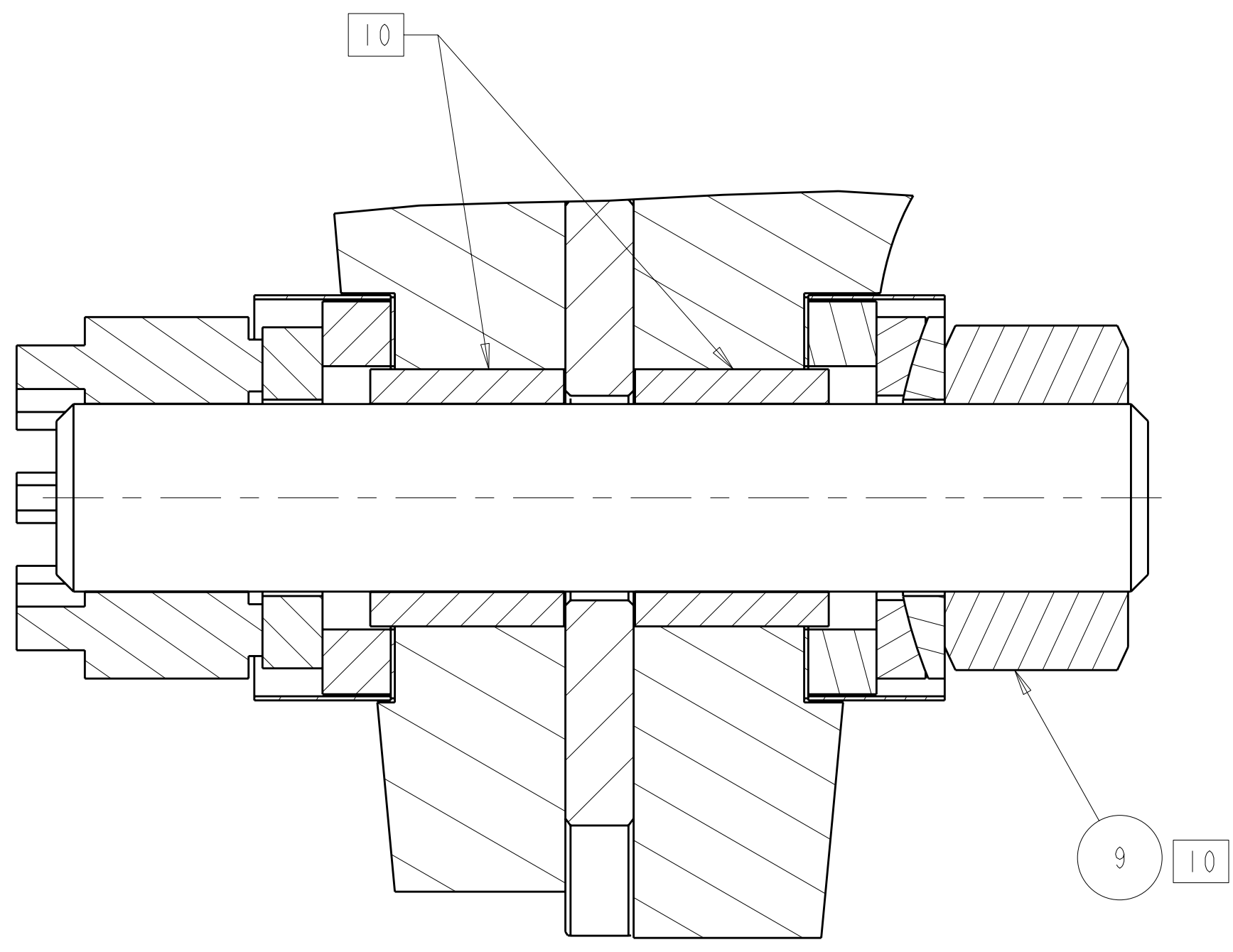


BOTTOM VIEW
SCALE 0.125

1 MCWF HALF PERIOD ASSY
SCALE NOTED



SECTION A-A -TYP TAPPED STUD KIT
SCALE 1.00



SECTION B-B -TYP THRU STUD KIT
SCALE 1.00

PRELIMINARY
8-23-2007

REV	DESCRIPTION	BY	DATE	CHK	DEPT	PE	REQ	DATE	ORNL	DOE	DATE	SCALE	DES	DATE	DRW	DATE	CHK	DATE	SECT	DEPT	PLANT	BLDG	FL	SHT	OF	TYPE	CLASS
0	ORIGINAL ISSUE	GM	08/01	MC	08/01								D WILLIAMSON	08/2007	G LOVETT	08/2007	M COLE	08/2007			ORNL	5700	3	1	2	A	U
1																											

REV	DESCRIPTION	BY	DATE	CHK	DEPT	PE	REQ	DATE	ORNL	DOE	DATE	SCALE	DES	DATE	DRW	DATE	CHK	DATE	SECT	DEPT	PLANT	BLDG	FL	SHT	OF	TYPE	CLASS
0	ORIGINAL ISSUE	GM	08/01	MC	08/01								D WILLIAMSON	08/2007	G LOVETT	08/2007	M COLE	08/2007			ORNL	5700	3	1	2	A	U
1																											

REV	DESCRIPTION	BY	DATE	CHK	DEPT	PE	REQ	DATE	ORNL	DOE	DATE	SCALE	DES	DATE	DRW	DATE	CHK	DATE	SECT	DEPT	PLANT	BLDG	FL	SHT	OF	TYPE	CLASS
0	ORIGINAL ISSUE	GM	08/01	MC	08/01								D WILLIAMSON	08/2007	G LOVETT	08/2007	M COLE	08/2007			ORNL	5700	3	1	2	A	U
1																											

REV	DESCRIPTION	BY	DATE	CHK	DEPT	PE	REQ	DATE	ORNL	DOE	DATE	SCALE	DES	DATE	DRW	DATE	CHK	DATE	SECT	DEPT	PLANT	BLDG	FL	SHT	OF	TYPE	CLASS
0	ORIGINAL ISSUE	GM	08/01	MC	08/01								D WILLIAMSON	08/2007	G LOVETT	08/2007	M COLE	08/2007			ORNL	5700	3	1	2	A	U
1																											

REV	DESCRIPTION	BY	DATE	CHK	DEPT	PE	REQ	DATE	ORNL	DOE	DATE	SCALE	DES	DATE	DRW	DATE	CHK	DATE	SECT	DEPT	PLANT	BLDG	FL	SHT	OF	TYPE	CLASS
0	ORIGINAL ISSUE	GM	08/01	MC	08/01								D WILLIAMSON	08/2007	G LOVETT	08/2007	M COLE	08/2007			ORNL	5700	3	1	2	A	U
1																											

REV	DESCRIPTION	BY	DATE	CHK	DEPT	PE	REQ	DATE	ORNL	DOE	DATE	SCALE	DES	DATE	DRW	DATE	CHK	DATE	SECT	DEPT	PLANT	BLDG	FL	SHT	OF	TYPE	CLASS
0	ORIGINAL ISSUE	GM	08/01	MC	08/01								D WILLIAMSON	08/2007	G LOVETT	08/2007	M COLE	08/2007			ORNL	5700	3	1	2	A	U
1																											

REV	DESCRIPTION	BY	DATE	CHK	DEPT	PE	REQ	DATE	ORNL	DOE	DATE	SCALE	DES	DATE	DRW	DATE	CHK	DATE	SECT	DEPT	PLANT	BLDG	FL	SHT	OF	TYPE	CLASS
0	ORIGINAL ISSUE	GM	08/01	MC	08/01								D WILLIAMSON	08/2007	G LOVETT	08/2007	M COLE	08/2007			ORNL	5700	3	1	2	A	U
1																											

REV	DESCRIPTION	BY	DATE	CHK	DEPT	PE	REQ	DATE	ORNL	DOE	DATE	SCALE	DES	DATE	DRW	DATE	CHK	DATE	SECT	DEPT	PLANT	BLDG	FL	SHT	OF	TYPE	CLASS
0	ORIGINAL ISSUE	GM	08/01	MC	08/01								D WILLIAMSON	08/2007	G LOVETT	08/2007	M COLE	08/2007			ORNL	5700	3	1	2	A	U
1																											

REV	DESCRIPTION	BY	DATE	CHK	DEPT	PE	REQ	DATE	ORNL	DOE	DATE	SCALE	DES	DATE	DRW	DATE	CHK	DATE	SECT	DEPT	PLANT	BLDG	FL	SHT	OF	TYPE	CLASS
0	ORIGINAL ISSUE	GM	08/01	MC	08/01								D WILLIAMSON	08/2007	G LOVETT	08/2007	M COLE	08/2007			ORNL	5700	3	1	2	A	U
1																											

REV	DESCRIPTION	BY	DATE	CHK	DEPT	PE	REQ	DATE	ORNL	DOE	DATE	SCALE	DES	DATE	DRW	DATE	CHK	DATE	SECT	DEPT	PLANT	BLDG	FL	SHT	OF	TYPE	CLASS
0	ORIGINAL ISSUE	GM	08/01	MC	08/01								D WILLIAMSON	08/2007	G LOVETT	08/2007	M COLE	08/2007			ORNL	5700	3	1	2	A	U
1																											

REV	DESCRIPTION	BY	DATE	CHK	DEPT	PE	REQ	DATE	ORNL	DOE	DATE	SCALE	DES	DATE	DRW	DATE	CHK	DATE	SECT	DEPT	PLANT	BLDG	FL	SHT	OF	TYPE	CLASS
0	ORIGINAL ISSUE	GM	08/01	MC	08/01								D WILLIAMSON	08/2007	G LOVETT	08/2007	M COLE	08/2007			ORNL	5700	3	1	2	A	U
1																											

REV	DESCRIPTION	BY	DATE	CHK	DEPT	PE	REQ	DATE	ORNL	DOE	DATE	SCALE	DES	DATE	DRW	DATE	CHK	DATE	SECT	DEPT	PLANT	BLDG	FL	SHT	OF	TYPE	CLASS
0	ORIGINAL ISSUE	GM	08/01	MC	08/01								D WILLIAMSON	08/2007	G LOVETT	08/2007	M COLE	08/2007			ORNL	5700	3	1	2	A	U
1																											

REV	DESCRIPTION	BY	DATE	CHK	DEPT	PE	REQ	DATE	ORNL	DOE	DATE	SCALE	DES	DATE	DRW	DATE	CHK	DATE	SECT	DEPT	PLANT	BLDG	FL	SHT	OF	TYPE	CLASS
0	ORIGINAL ISSUE	GM	08/01	MC	08/01								D WILLIAMSON	08/2007	G LOVETT	08/2007	M COLE	08/2007			ORNL	5700	3	1	2	A	U
1																											

NO REPRESENTATION OR WARRANTY, EXPRESSED OR IMPLIED, IS MADE AS TO THE ACCURACY, COMPLETENESS OR USEFULNESS OF THE INFORMATION OR STATEMENTS CONTAINED IN THESE DRAWINGS, OR THAT THE USE OR DISCLOSURE OF ANY INFORMATION, APPARATUS, METHOD OR PROCESS DISCLOSED IN THESE DRAWINGS MAY NOT INFRINGE PRIVATE RIGHTS OF OTHERS. NO LIABILITY IS ASSUMED WITH RESPECT TO THE USE OF, OR FOR DAMAGES RESULTING FROM THE USE OF, ANY INFORMATION, APPARATUS, METHOD OR PROCESS DISCLOSED IN THESE DRAWINGS. DRAWINGS MADE AVAILABLE FOR INFORMATION TO BIDDER ARE NOT TO BE USED FOR OTHER PURPOSES, AND ARE TO BE RETURNED UPON REQUEST OF THE FORWARDING CONTRACTOR.

P THIS DRAWING PRODUCED ON PRO-ENGINEER

SCALE	NOTED	DES	DATE	DRW	DATE	CHK	DATE	SECT	DEPT	PLANT	BLDG	FL	SHT	OF	TYPE	CLASS
		D WILLIAMSON	08/2007	G LOVETT	08/2007	M COLE	08/2007			ORNL	5700	3	1	2	A	U

Oak Ridge National Laboratory managed for the DEPARTMENT OF ENERGY under U.S. GOVERNMENT contract DE-AC05-00OR22725 UT-BATTELLE, LLC. Oak Ridge, Tennessee

UT-BATTELLE

NATIONAL COMPACT STELLARATOR EXPERIMENT

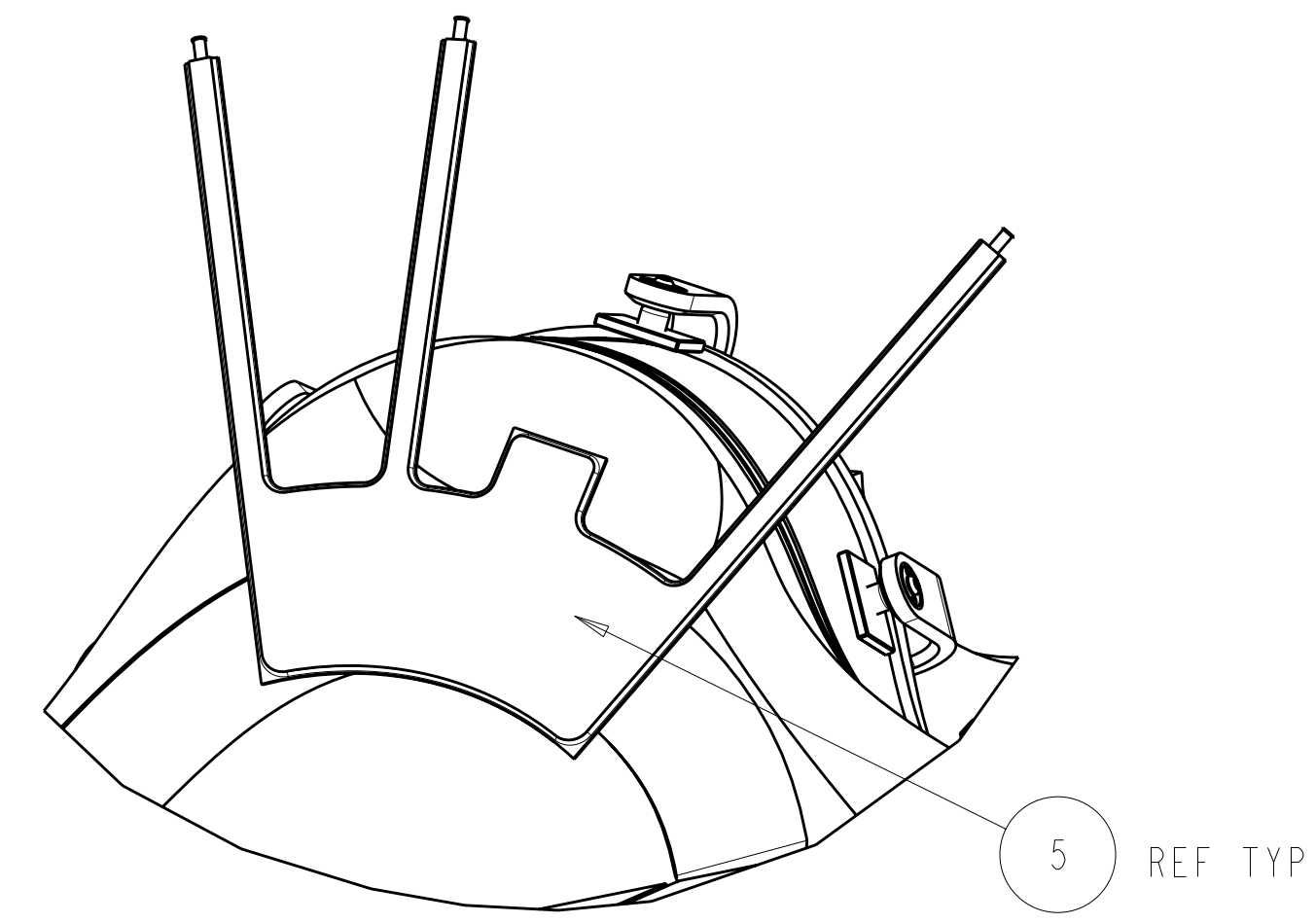
MODULAR COILS ASSEMBLY
1/2 FIELD PERIOD

VERSION NO.	PLANT	BLDG	FL	SHT	OF	TYPE	CLASS
20+	ORNL	5700	3	1	2	A	U

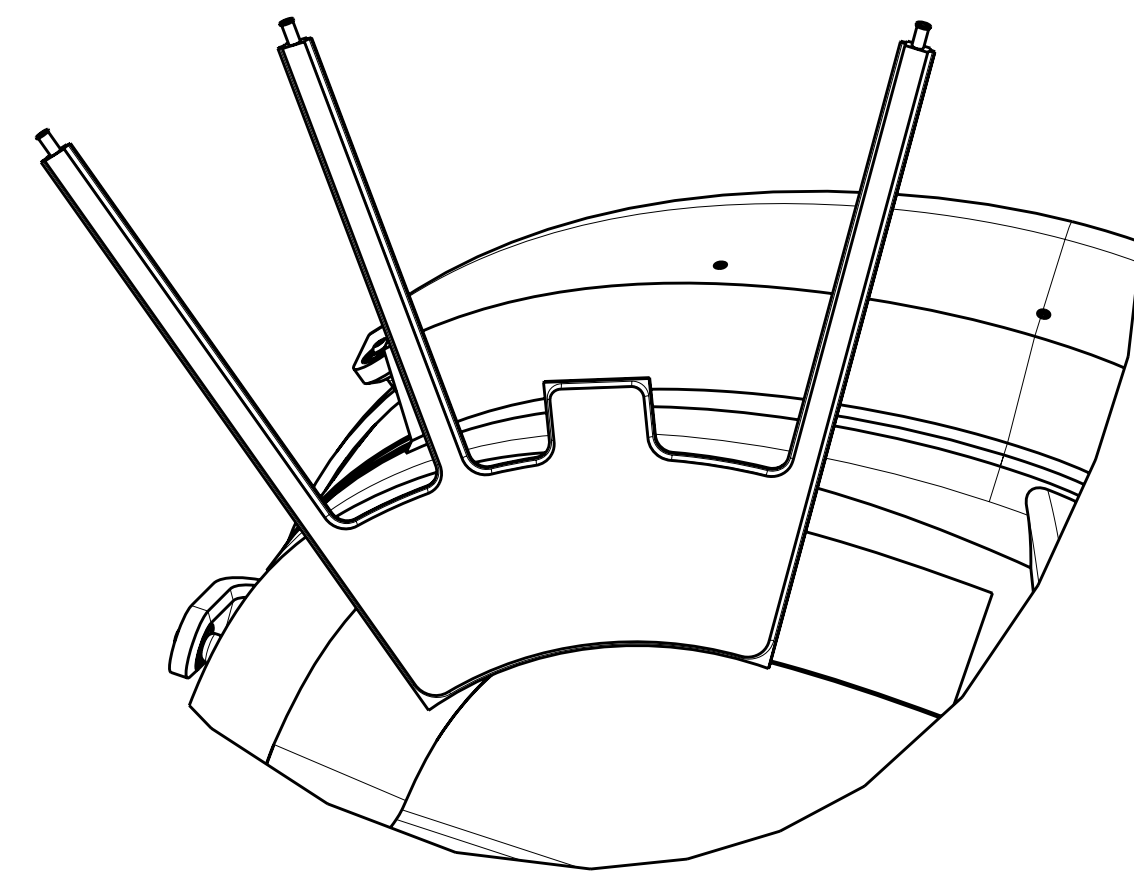
RELEASE LEVEL: WIP

SEI40-003

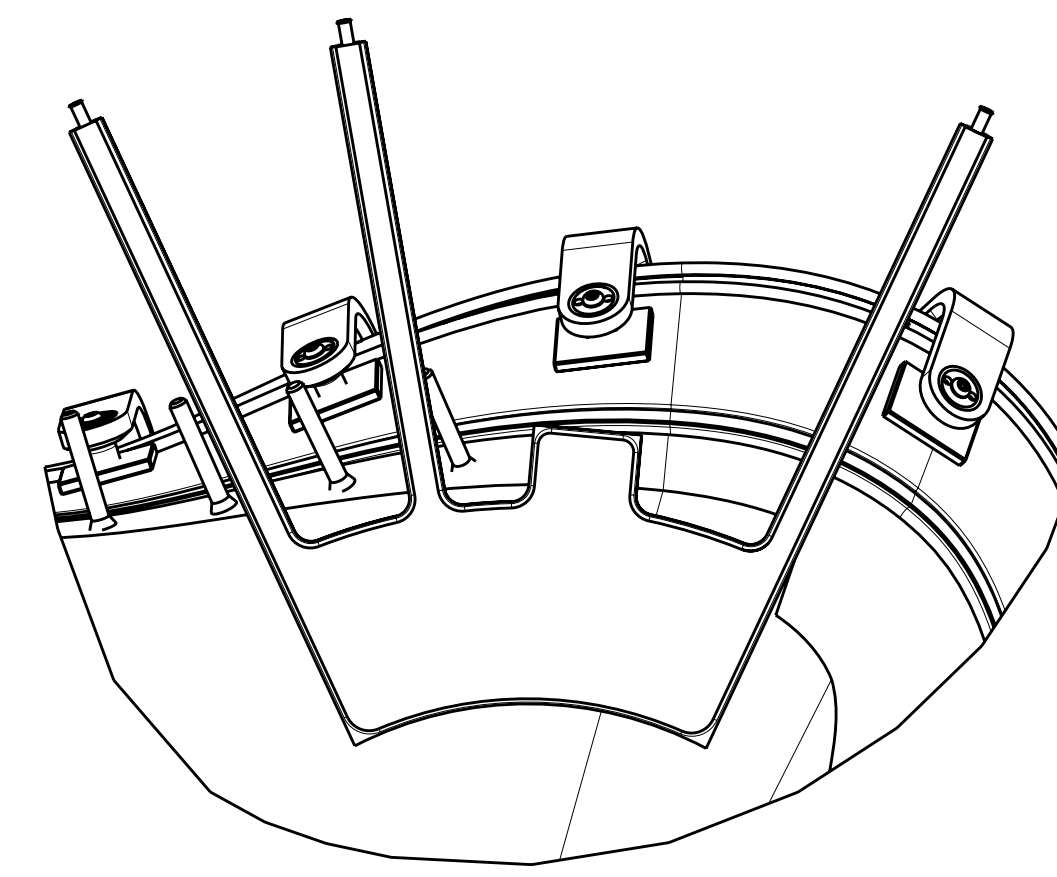
REV 0



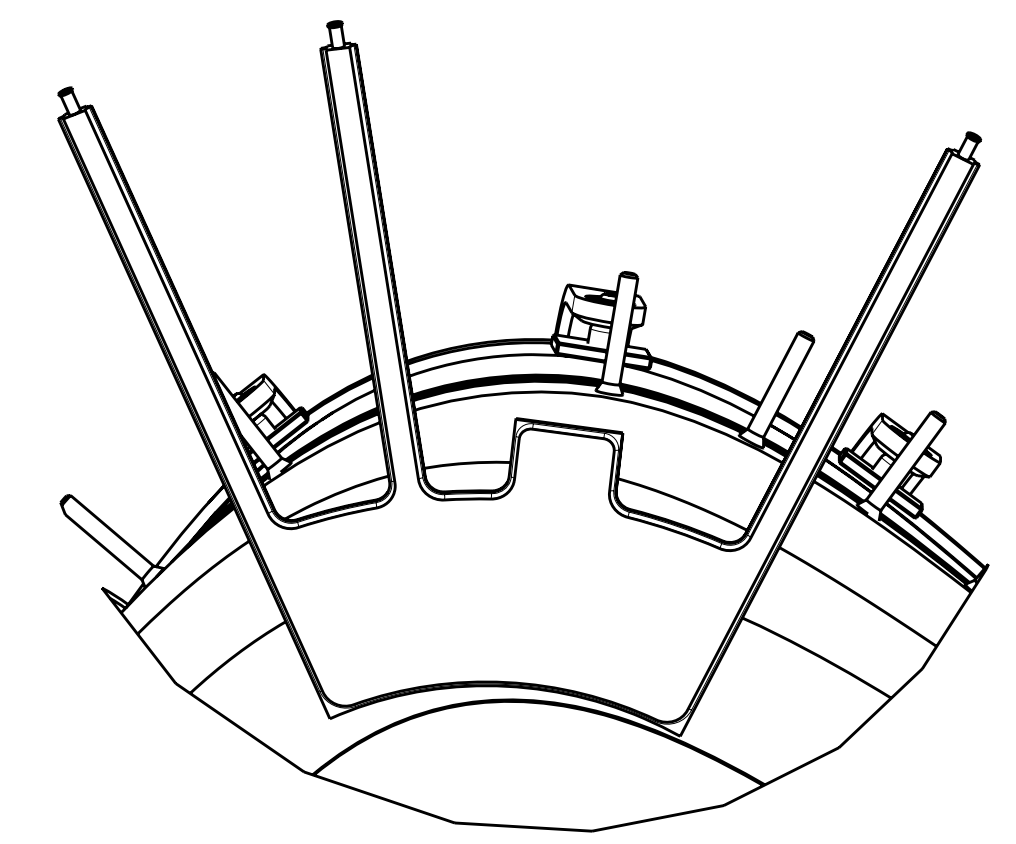
WING BLADDER BETWEEN A AND B COIL - MOUNTED TO A COIL [12]
SCALE .25



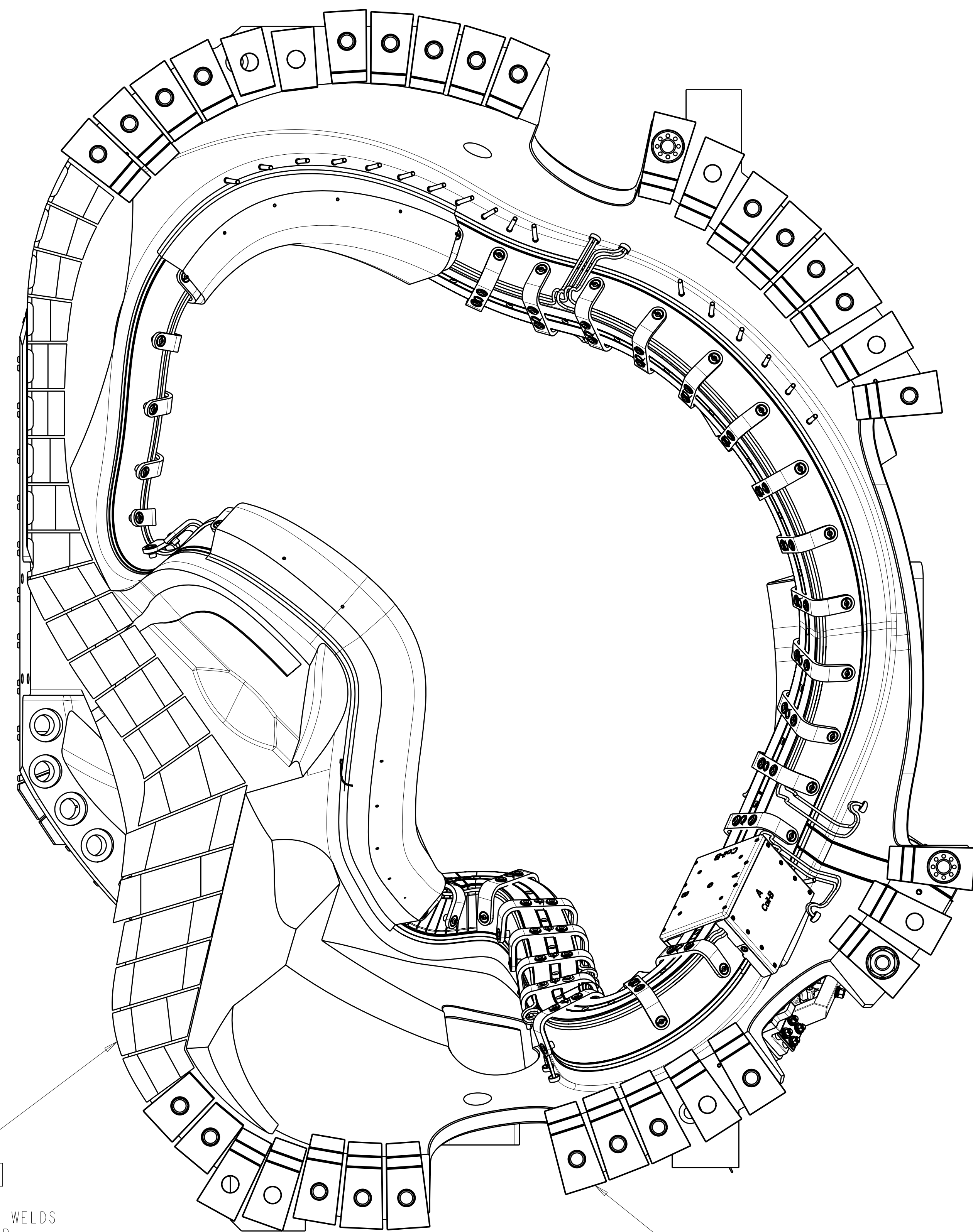
WING BLADDER BETWEEN A AND B COIL - MOUNTED TO B COIL [12]
SCALE .25



WING BLADDER BETWEEN B AND C COIL - MOUNTED TO C COIL [12]
SCALE .25

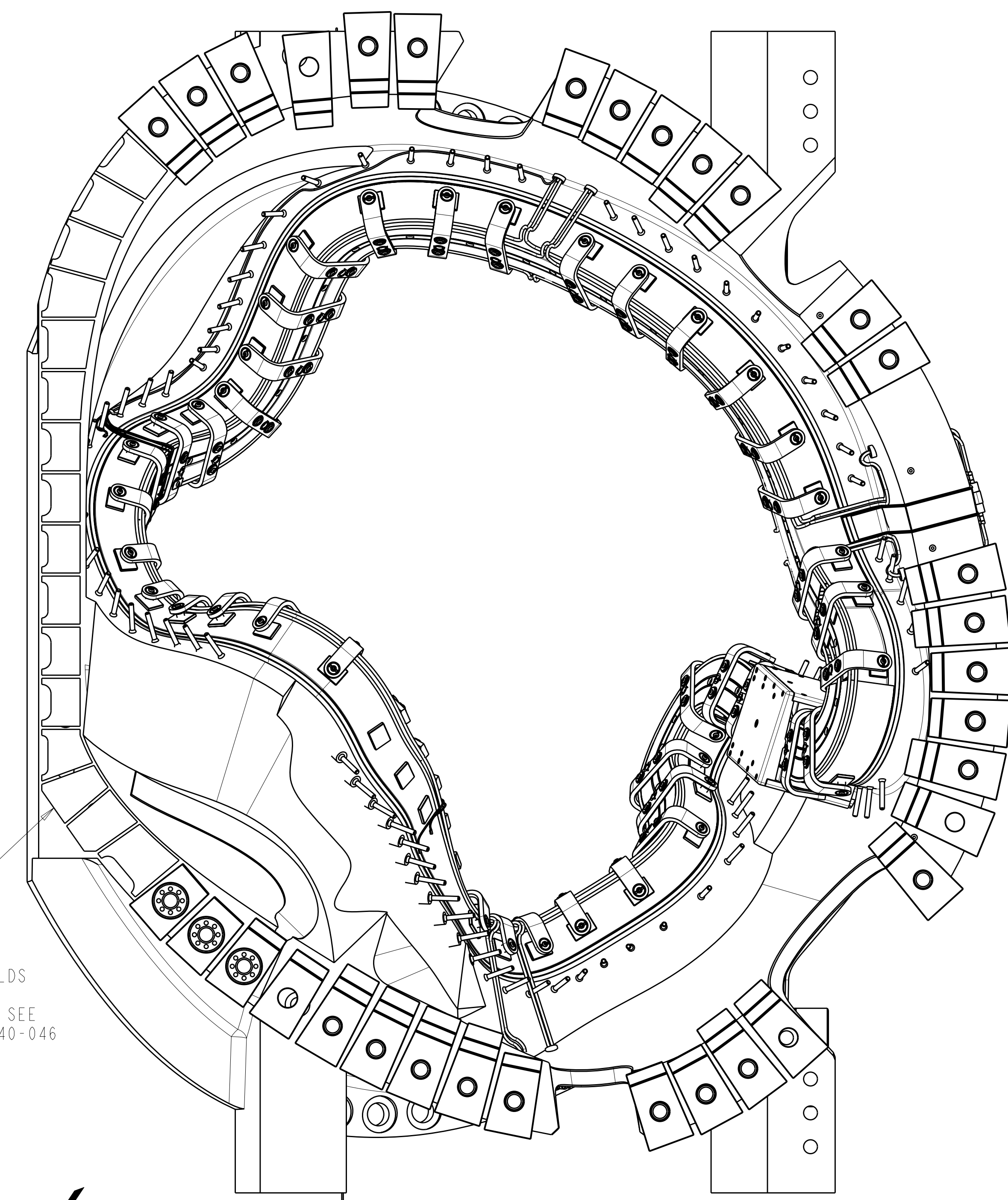


WING BLADDER BETWEEN C AND C COIL - MOUNTED TO C COIL [12]
SCALE .25



7 [11]
FOR SHIM WELDS AND OTHER INFORMATION SEE DRAWING SE140-046

VIEW OF A-B JOINT A COIL REMOVED
SCALE 0.15



8 [11]
FOR SHIM WELDS AND OTHER INFORMATION SEE DRAWING SE140-046

VIEW OF B-C JOINT B COIL REMOVED
SCALE 0.15

PRELIMINARY
8-23-2007

Oak Ridge National Laboratory managed for the DEPARTMENT OF ENERGY under U.S. GOVERNMENT contract DE-AC05-00OR22725 UT-BATTELLE, LLC, Oak Ridge, Tennessee PROJECT NAME:									
UT-BATTELLE NATIONAL COMPACT STELLARATOR EXPERIMENT									
MODULAR COILS ASSEMBLY 1/2 FIELD PERIOD									
VERSION NO.	PLANT	BLDG	FL	SHT	OF	TYPE	CLASS		
71+	ORNL	5700	3	2	2	A	U		
RELEASE LEVEL		WIP		SE140-003		REV		0	