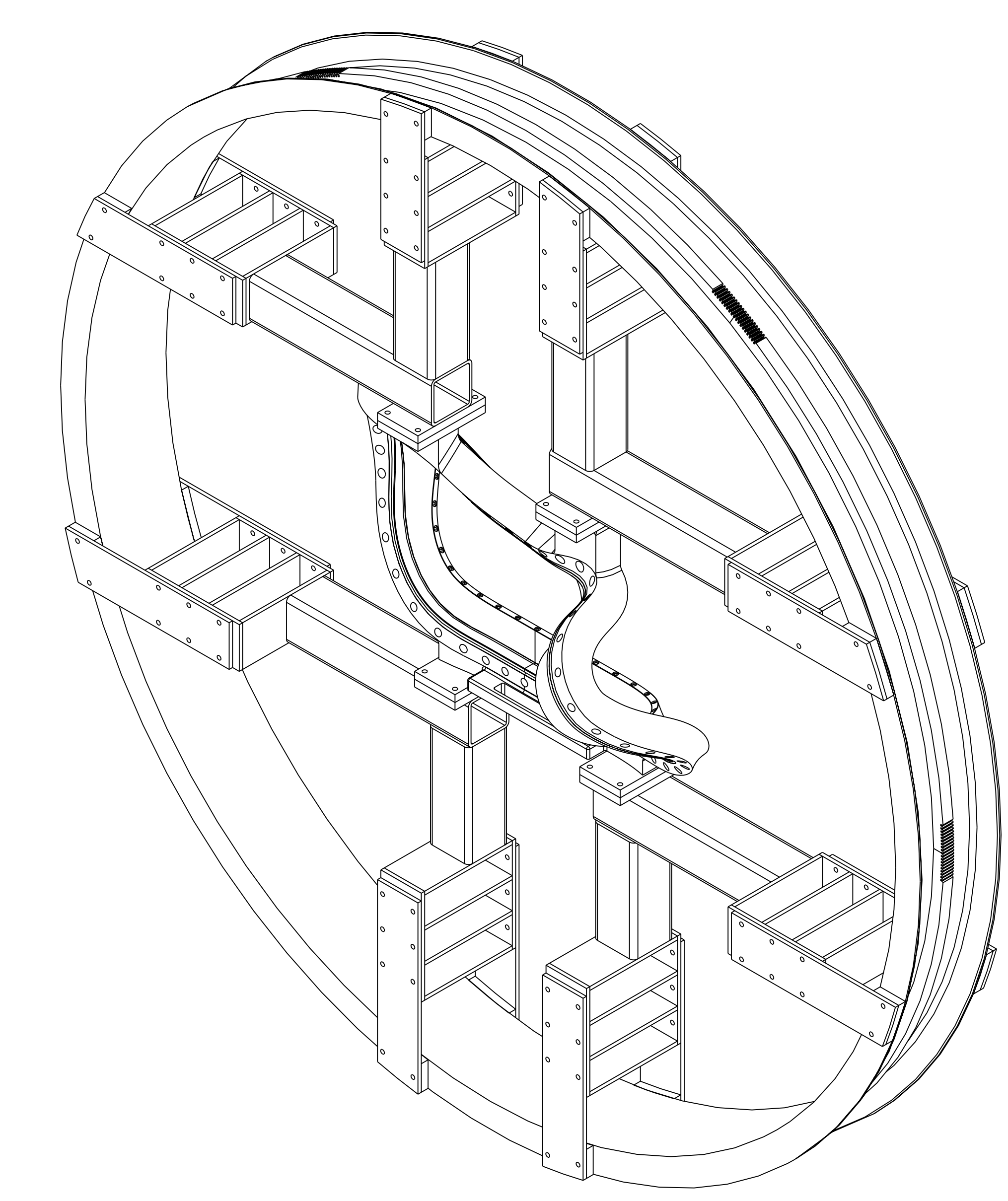
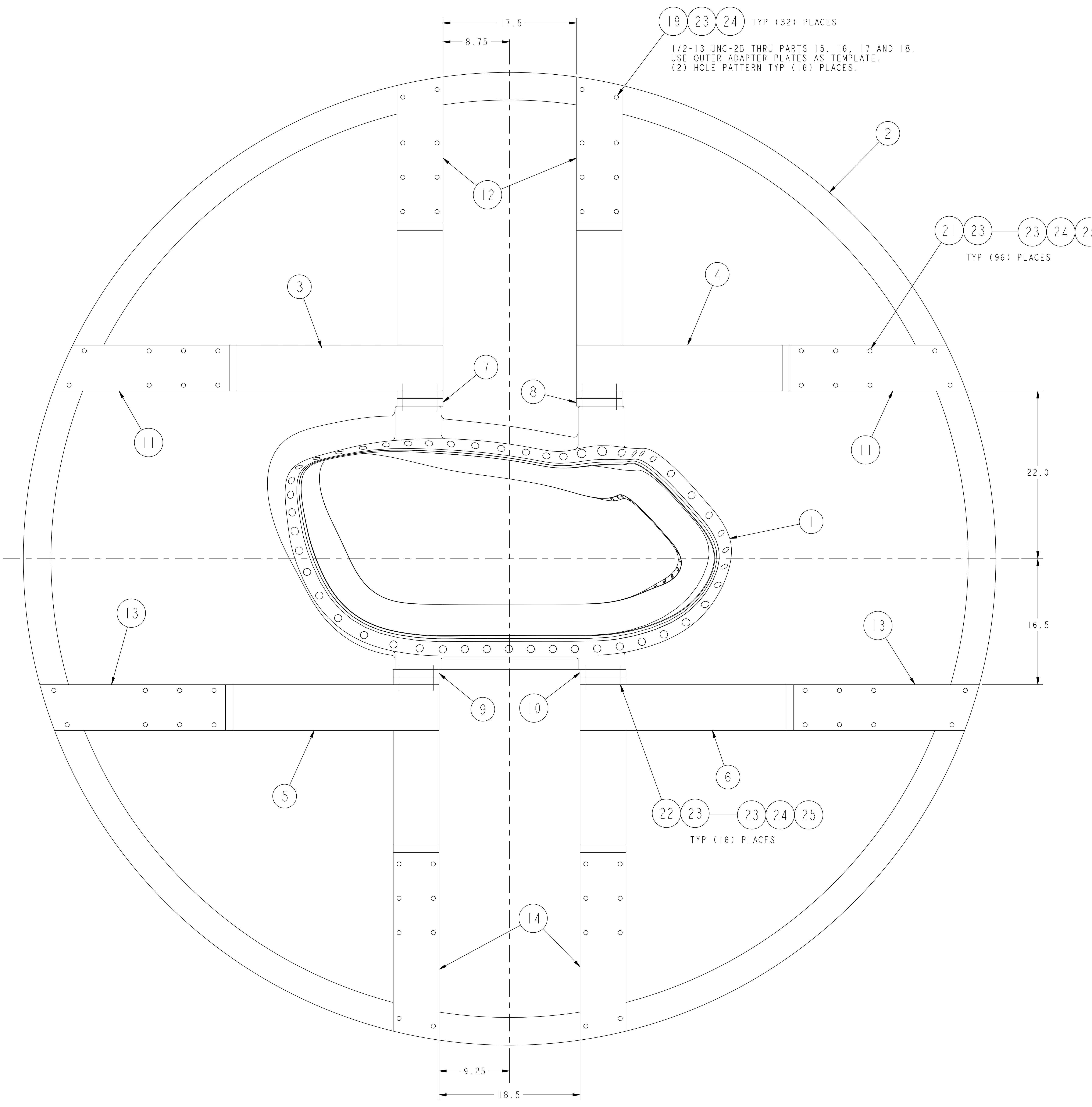


NO.	REVISION	BY	CH	SUP	APPROVED	DATE



REFERENCE ISOMETRIC

PART NO.	QTY	DESCRIPTION	MATERIAL	REQD
112	25	COMM 1/2-13 UNC-2B HEX NUT	C'STL - ZN PLT	
160	24	COMM 1/2 NOM SPLIT LOCK WASHER	C'STL - ZN PLT	
272	23	COMM 1/2 NOM FLAT WASHER	C'STL - ZN PLT	
16	22	COMM 1/2-13 UNC-2A X 3" LG HEX HD CAP SCREW	C'STL - ZN PLT	
96	21	COMM 1/2-13 UNC-2A X 2" LG HEX HD CAP SCREW	C'STL - ZN PLT	
16	20	COMM 1/2-13 UNC-2A X 1 3/4" LG HEX HD CAP SCREW	C'STL - ZN PLT	
32	19	COMM 1/2-13 UNC-2A X 1 1/2" LG HEX HD CAP SCREW	C'STL - ZN PLT	
4	18	THIS DWG OUTER ADAPTER MOUNTING BLOCK - TYPE D	ASTM A569	
4	17	THIS DWG OUTER ADAPTER MOUNTING BLOCK - TYPE C	ASTM A569	
4	16	THIS DWG OUTER ADAPTER MOUNTING BLOCK - TYPE B	ASTM A569	
4	15	THIS DWG OUTER ADAPTER MOUNTING BLOCK - TYPE A	ASTM A569	
4	14	SE144-203-4 TWISTED RACETRACK OUTER ADAPTER PLATE - TYPE D	SEE DWG	
4	13	SE144-203-3 TWISTED RACETRACK OUTER ADAPTER PLATE - TYPE C	SEE DWG	
4	12	SE144-203-2 TWISTED RACETRACK OUTER ADAPTER PLATE - TYPE B	SEE DWG	
4	11	SE144-203-1 TWISTED RACETRACK OUTER ADAPTER PLATE - TYPE A	SEE DWG	
1	10	SE144-202-4 TWISTED RACETRACK BASE ADAPTER PLATE - TYPE D	SEE DWG	
1	9	SE144-202-3 TWISTED RACETRACK BASE ADAPTER PLATE - TYPE C	SEE DWG	
1	8	SE144-202-2 TWISTED RACETRACK BASE ADAPTER PLATE - TYPE B	SEE DWG	
1	7	SE144-202-1 TWISTED RACETRACK BASE ADAPTER PLATE - TYPE A	SEE DWG	
1	6	SE144-201-04 TWISTED RACETRACK SUPPORT WELDMENT - TYPE D	SEE DWG	
1	5	SE144-201-03 TWISTED RACETRACK SUPPORT WELDMENT - TYPE C	SEE DWG	
1	4	SE144-201-02 TWISTED RACETRACK SUPPORT WELDMENT - TYPE B	SEE DWG	
1	3	SE144-201-01 TWISTED RACETRACK SUPPORT WELDMENT - TYPE A	SEE DWG	
1	2	SE144-007 ROLLED OUTER SUPPORT CHANNEL WELDMENT	SEE DWG	
1	1	SE140-084 WINDING FORM	SEE DWG	
01		THIS DWG TWISTED RACETRACK CASTING SUPPORT ASSEMBLY		1

PART ASSY NO.	DRAWING NO.	NOMENCLATURE OR DESCRIPTION	MATERIAL	QTY REQD
01		THIS DWG TWISTED RACETRACK CASTING SUPPORT ASSEMBLY		1

WEIGHT
3322.2 lbs

MODEL NAME
SE144-200

WELDING ENGINEER

RELEASE LEVEL: Fabrication
DWG VERSION NO:

COMPUTER GENERATED DRAWING CHANGES NOT PERMITTED
Pr o E
DO NOT VERIFY INFORMATION BY SCALING DRAWING

CENTRAL FILES:
UNLESS OTHERWISE SPECIFIED
DIMENSIONS ARE IN INCHES
MACHINE SURFACES
BREAK SHARP EDGES .005/.020

TOLERANCES NON-CUMULATIVE
DECIMAL-INCH FRACTIONS
.XX +/- .030
.XXX +/- .005
ANGULAR +/- 0°15'

PRINCETON PLASMA PHYSICS LABORATORY
PRINCETON UNIVERSITY
NATIONAL COMPACT STELLARATOR EXPERIMENT
MODULAR COIL WINDING FACILITY
TWISTED RACETRACK WINDING
TWISTED RACETRACK CASTING SUPPORT ASSEMBLY

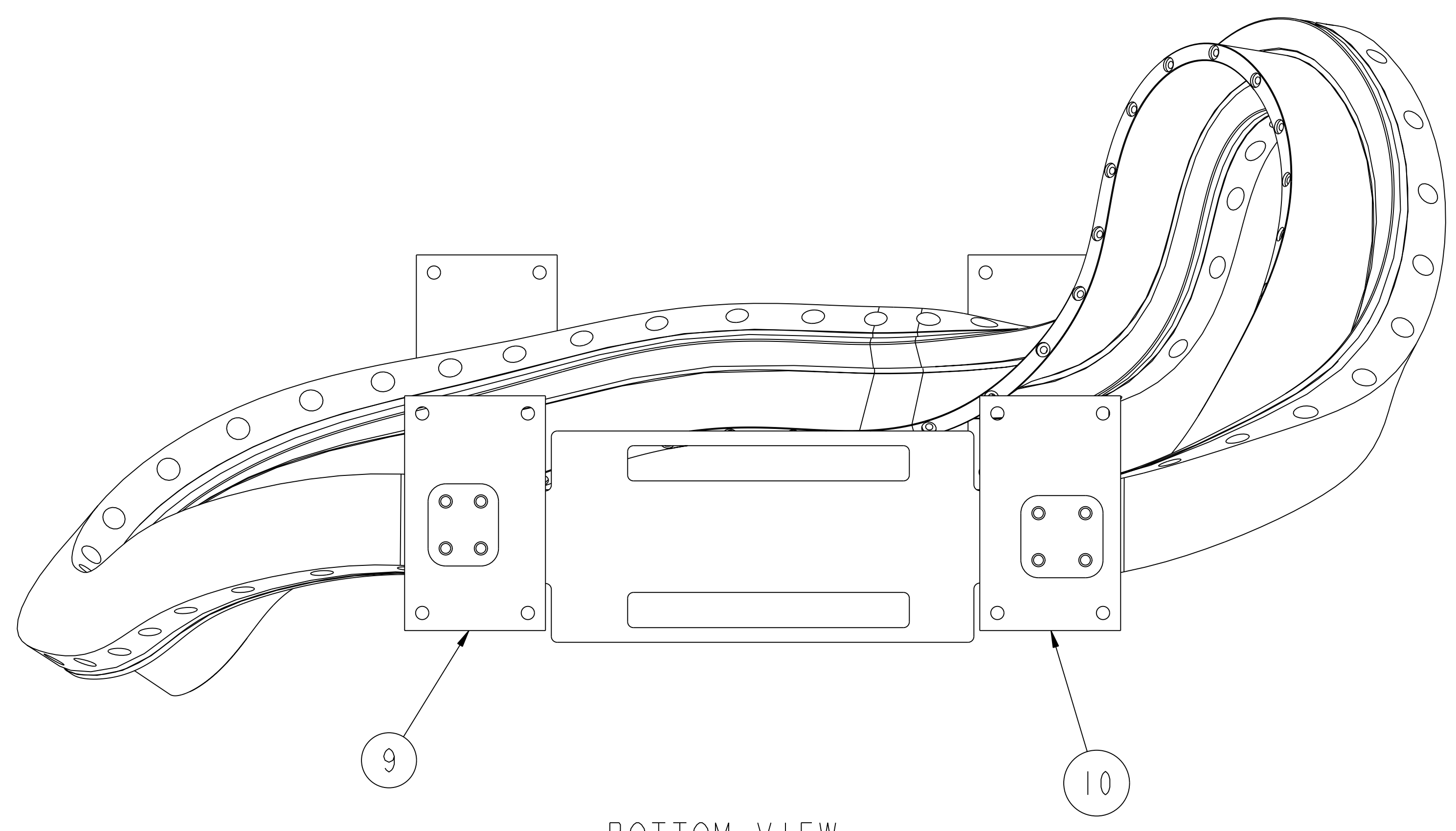
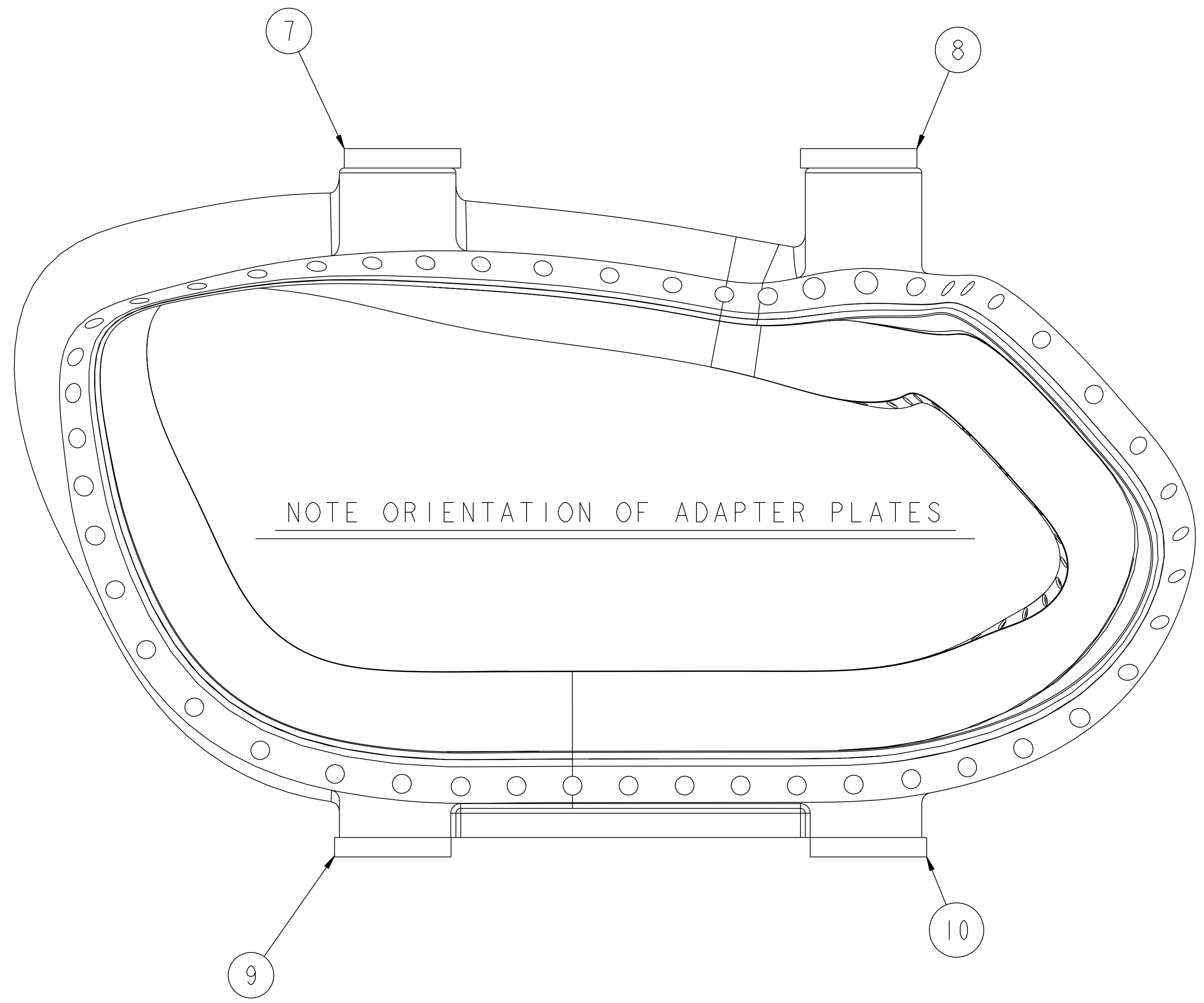
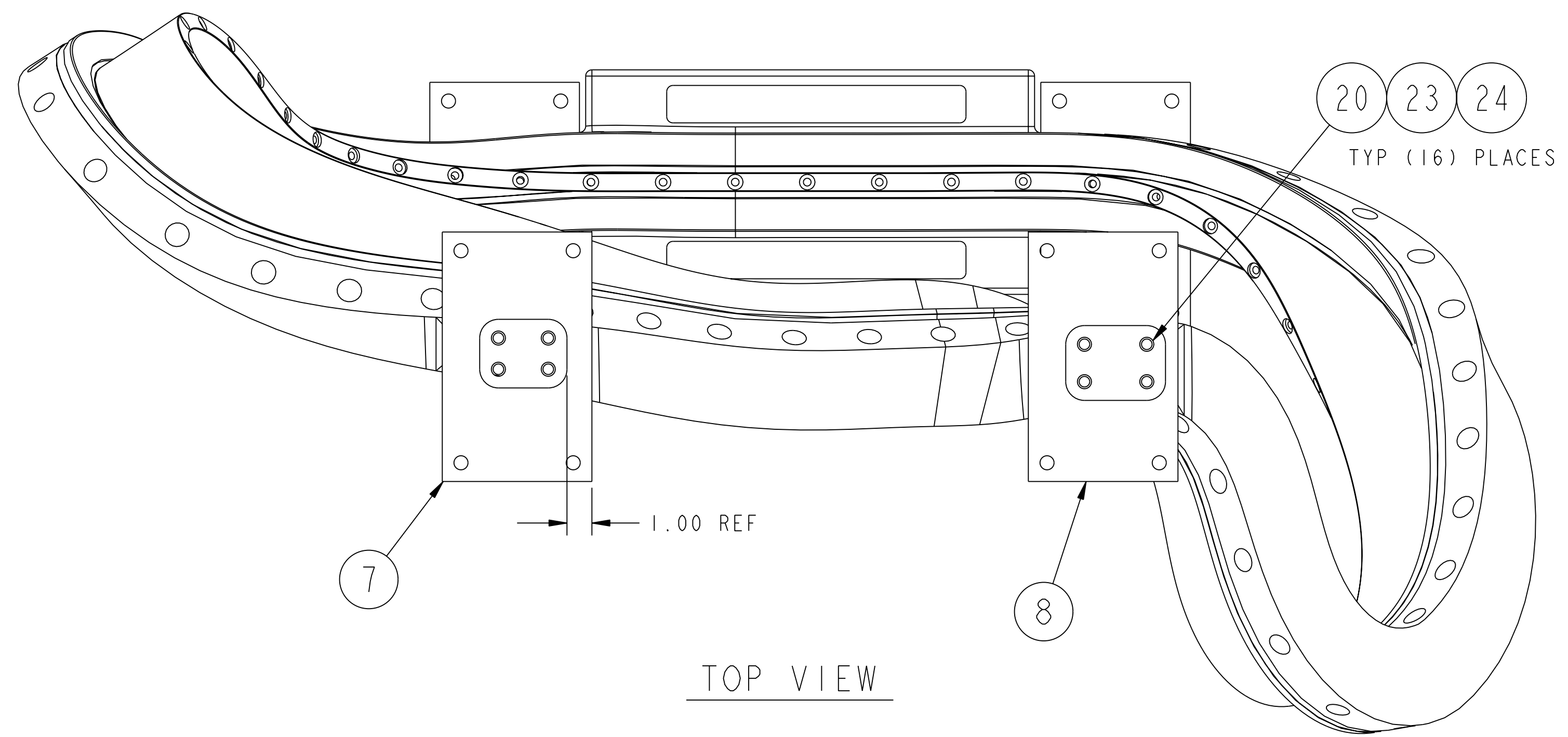
DSN: L. MORRIS
CHK: S. RAFTOPOULOS
ENGR: J. CHRZANOWSKI
SUPV: J. SIEGEL

DRAWING NO:
SE144-200

SHEET 1 OF 3
REV 0

NCSX-SE144-200
NCSX-ASSY-FORMAT.E

NO.	REVISION	BY	CH	SUP	APPROVED	DATE



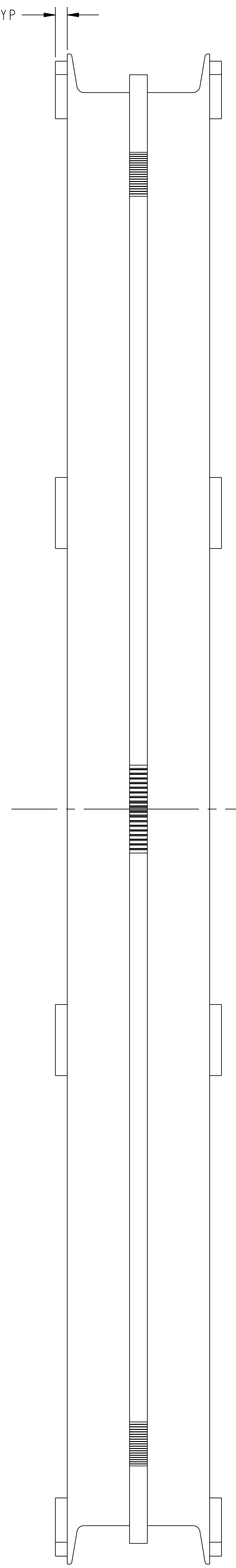
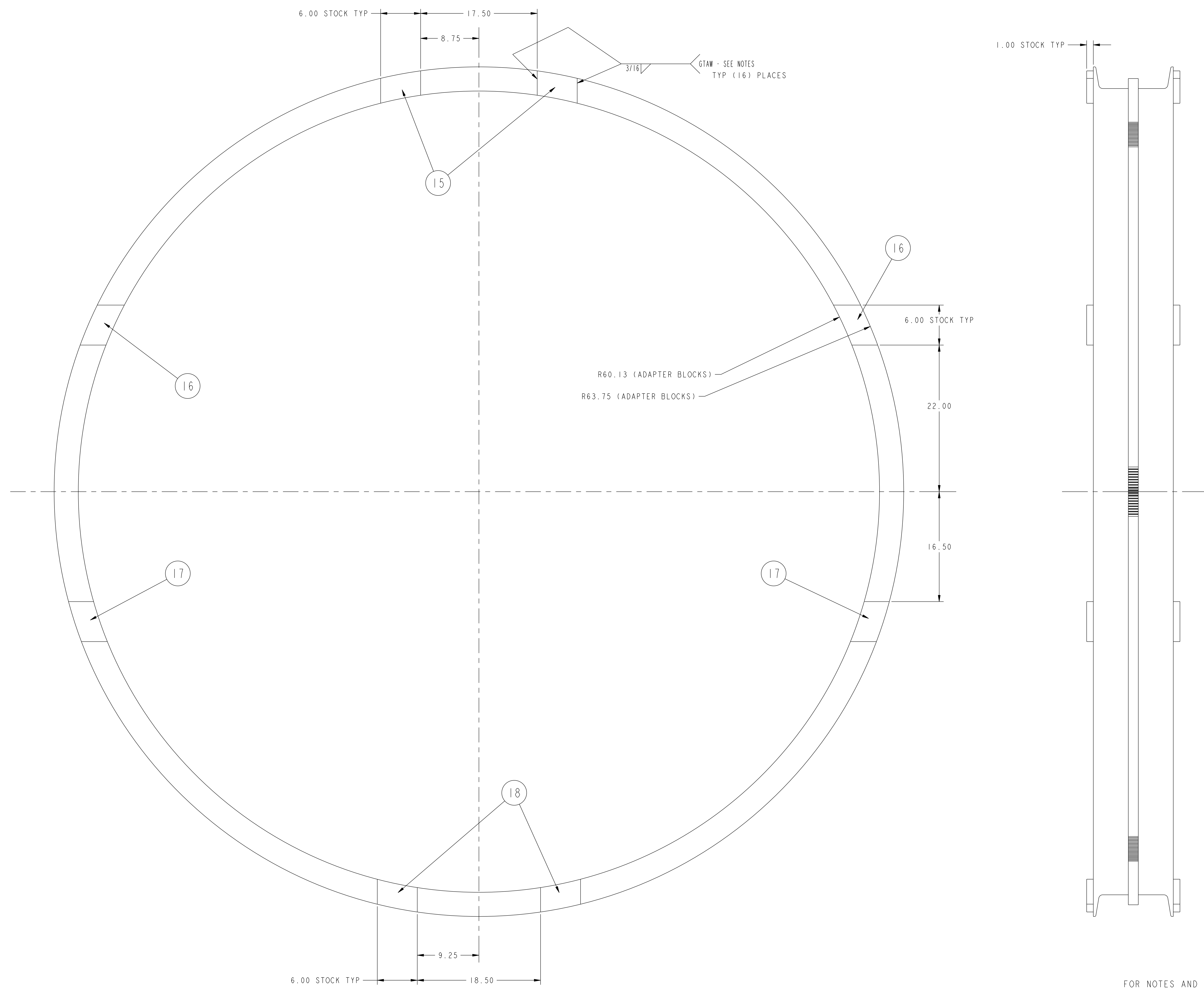
FOR NOTES AND BILL OF MATERIAL SEE SHEET 1

RELEASE LEVEL: Fabrication
DWG VERSION NO: 2

COMPUTER GENERATED DRAWING CHANGES NOT PERMITTED Pro E DO NOT VERIFY INFORMATION BY SCALING DRAWING	CENTRAL FILES:	PRINCETON PLASMA PHYSICS LABORATORY PRINCETON UNIVERSITY NATIONAL COMPACT STELLARATOR EXPERIMENT	
	UNLESS OTHERWISE SPECIFIED	MODULAR COIL WINDING FACILITY TWISTED RACETRACK WINDING TWISTED RACETRACK CASTING SUPPORT ASSEMBLY	
WEIGHT 3322.2 lbs	DIMENSIONS ARE IN INCHES MACHINE SURFACES BREAK SHARP EDGES .005/.020	TOLERANCES NON-CUMULATIVE	DSN: L. MORRIS
MODEL NAME SEI44-200	DECIMAL-INCH FRACTIONS	CHK: S. RAFTOPOULOS	DRAWING NO: SEI44-200
WELDING ENGINEER	NEXT ASSEMBLY	ENGR: J. CHRZANOWSKI	SHEET 2 OF 3
		SUPV: J. SIEGEL	REV 0

NCSX-SEI44-200

NO.	REVISION	BY	CH	SUP	APPROVED	DATE



FOR NOTES AND BILL OF MATERIAL SEE SHEET 1

RELEASE LEVEL: Fabrication
DWG VERSION NO: 2

WEIGHT	3322.2 lbs
MODEL NAME	SE144-200
WELDING ENGINEER	

COMPUTER GENERATED DRAWING MANUAL CHANGES NOT PERMITTED P r o E	CENTRAL FILES: UNLESS OTHERWISE SPECIFIED	PRINCETON PLASMA PHYSICS LABORATORY PRINCETON UNIVERSITY NATIONAL COMPACT STELLARATOR EXPERIMENT	
DO NOT VERIFY INFORMATION BY SCALING DRAWING	DIMENSIONS ARE IN INCHES MACHINE SURFACES BREAK SHARP EDGES .005/.020	MODULAR COIL WINDING FACILITY TWISTED RACETRACK WINDING TWISTED RACETRACK CASTING SUPPORT ASSEMBLY	
NEXT ASSEMBLY	TOLERANCES NON-CUMULATIVE DECIMAL-INCH FRACTIONS .XX +/- .000 .XXX +/- .005 ANGULAR +/- .05	DSN: L. MORRIS	DRAWING NO: SE144-200
		CHK: S. RAFTOPOULOS ENGR: J. CHRZANOWSKI SUPV: J. SIEGEL	SHEET 3 OF 3 REV 0

NCSX-SE144-200