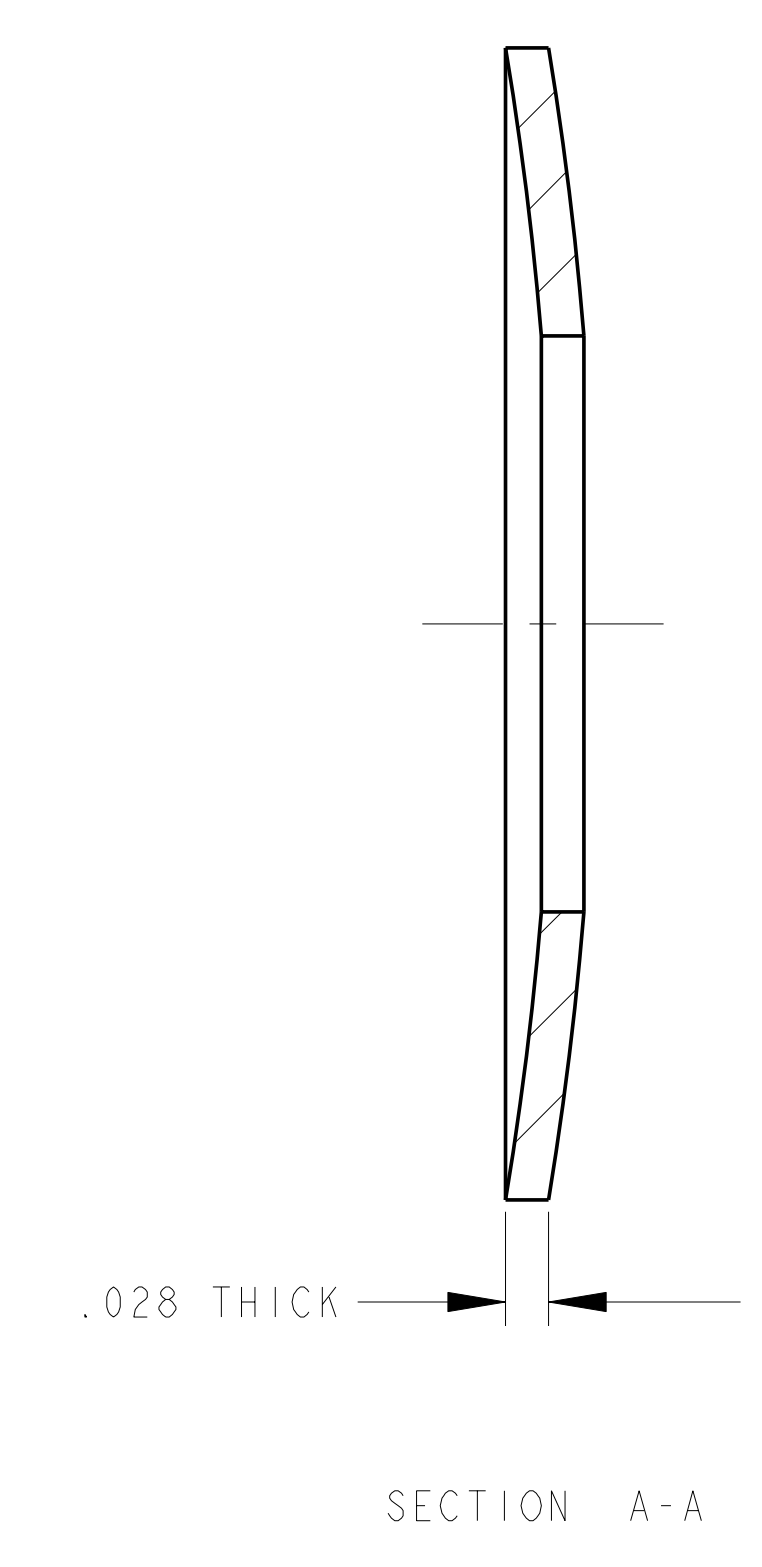
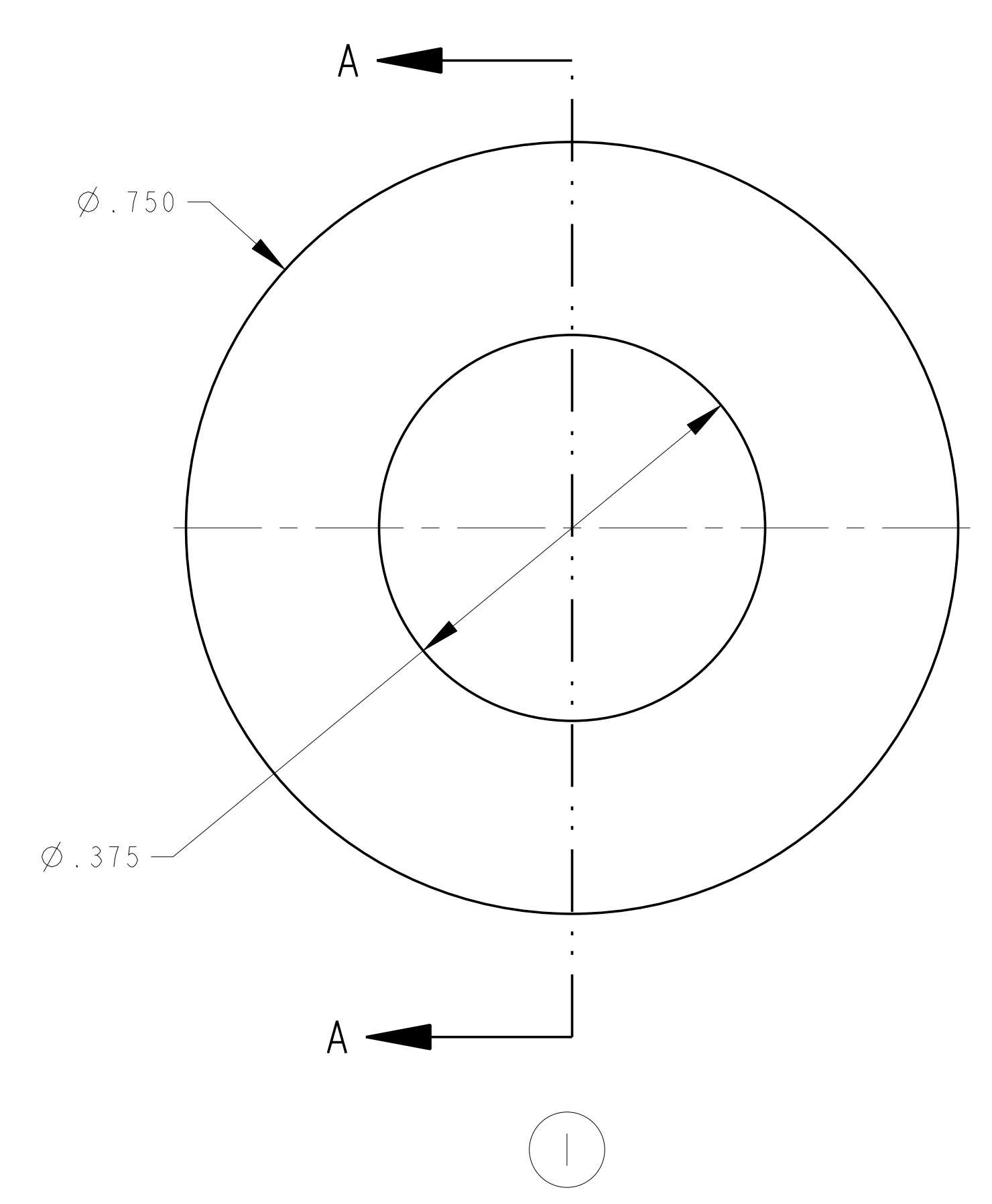
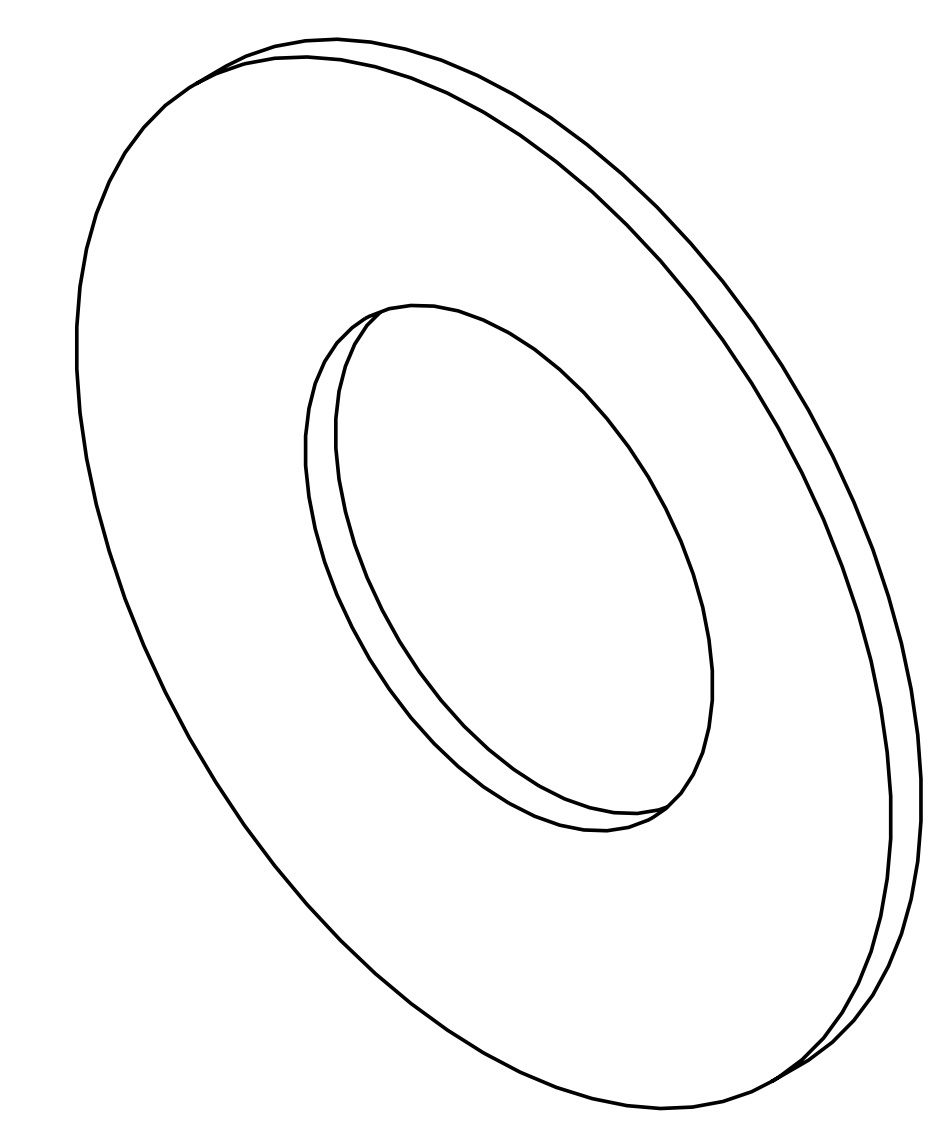
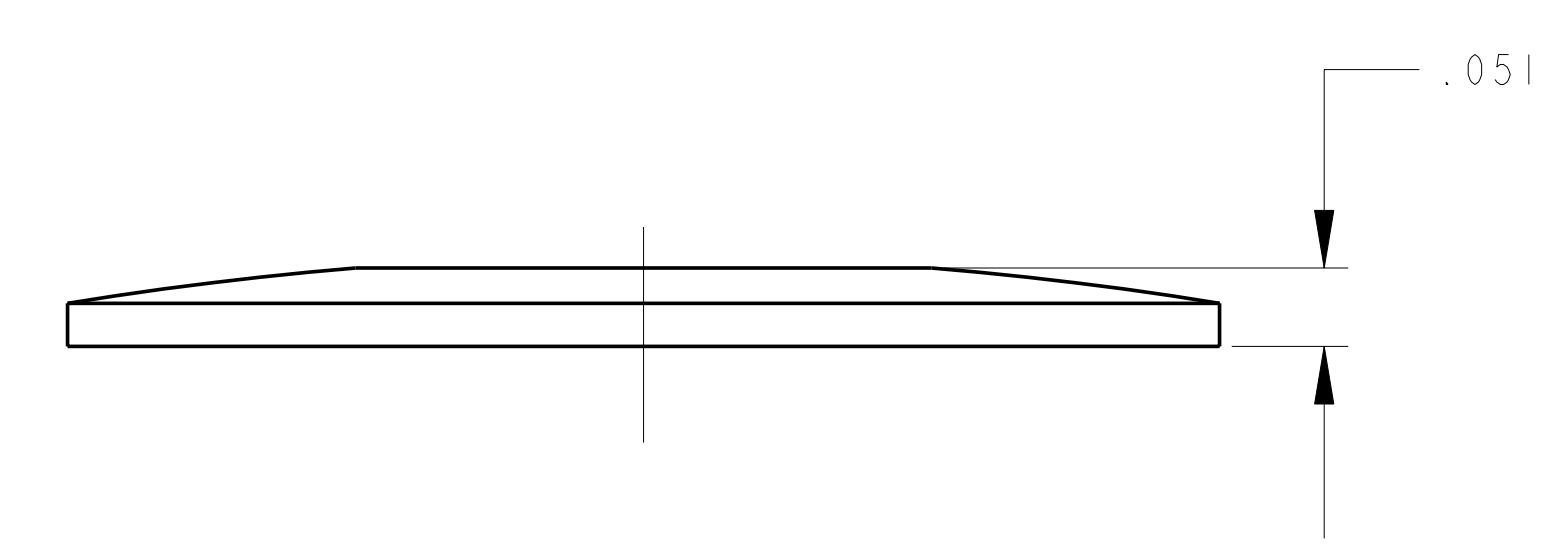


- NOTES:
1. INTERPRET DIMENSIONS AND TOLERANCES PER ANSI Y14.5M
  2. DIMENSIONS ARE IN INCHES
  3. DIMENSIONS APPLY AT ROOM TEMPERATURE. OPERATING TEMP 80 K
  4. GEOMETRY IS DEFINED IN PRO ENGINEER CAD MODELS/FILES
  5. DRAWING AND MODELS COMBINED DEFINE FINISHED MACHINED PART
  6. SPRING CONSTANT K=7600 LBS/IN



**RELEASED FOR FABRICATION / INSTALLATION**

AR	SEI405-258P	WASHER, BELLEVILLE, 3/4 OD, 3/8 ID	BERYLLIUM COPPER	K=7600 LBS/IN	
SEI405-258	CAGE CODE	PART OR IDENTIFYING NO	NOMENCLATURE OR DESCRIPTION	MATERIAL	SPECIFICATION
					FIND NO

← NEXT ASSEMBLY

PARTS LIST

NO REPRESENTATION OR WARRANTY, EXPRESSED OR IMPLIED, IS MADE AS TO THE ACCURACY, COMPLETENESS OR USEFULNESS OF THE INFORMATION OR STATEMENTS CONTAINED IN THESE DRAWINGS, OR THAT THE USE OR DISCLOSURE OF ANY INFORMATION, APPARATUS, METHOD OR PROCESS DISCLOSED IN THESE DRAWINGS MAY NOT INFRINGE PRIVATE RIGHTS OF OTHERS. NO LIABILITY IS ASSUMED WITH RESPECT TO THE USE OF, OR FOR DAMAGES RESULTING FROM THE USE OF, ANY INFORMATION, APPARATUS, METHOD OR PROCESS DISCLOSED IN THESE DRAWINGS. DRAWINGS MADE AVAILABLE FOR INFORMATION TO BIDDER ARE NOT TO BE USED FOR OTHER PURPOSES, AND ARE TO BE RETURNED UPON REQUEST OF THE FORWARDING CONTRACTOR.

**P** THIS DRAWING PRODUCED ON PRO-ENGINEER

REV	DESCRIPTION	BY	DATE	CHK	DEPT	DATE	PE	REQ	DATE	ORNL	DOE	DATE
	REVISION OR ISSUE PURPOSE											

SCALE 8

TOLERANCES UNLESS OTHERWISE SPECIFIED

FRACTIONS ± .01

XX DECIMALS ± .01

XXX DECIMALS ± .005

ANGLES ± 0°15'

FINISH .125 UNLESS OTHERWISE SPECIFIED

DES: PAUL MILLER 4-12-04

DRW: PAUL MILLER 4-14-04

CHK: :  
SECT: :  
DEPT: :  
PE: :  
CR: :  
PJ: :  
RED: :

PPPL DRFT :  
: :  
: :

VERSION NO. 3

PLANT X-10

BLDG 5700

FL 3

SHT OF 1

TYPE 1

CLASS S

U

REV 0

UT-BATTELLE

NATIONAL COMPACT STELLARATOR EXPERIMENT

WASHER, BELLEVILLE, 3/4 OD, 3/8 ID

RELEASE LEVEL WIP

SEI405-258P

Oak Ridge National Laboratory managed for the DEPARTMENT OF ENERGY under U.S. GOVERNMENT contract DE-AC05-00OR22725 UT-BATTELLE, LLC. Oak Ridge, Tennessee