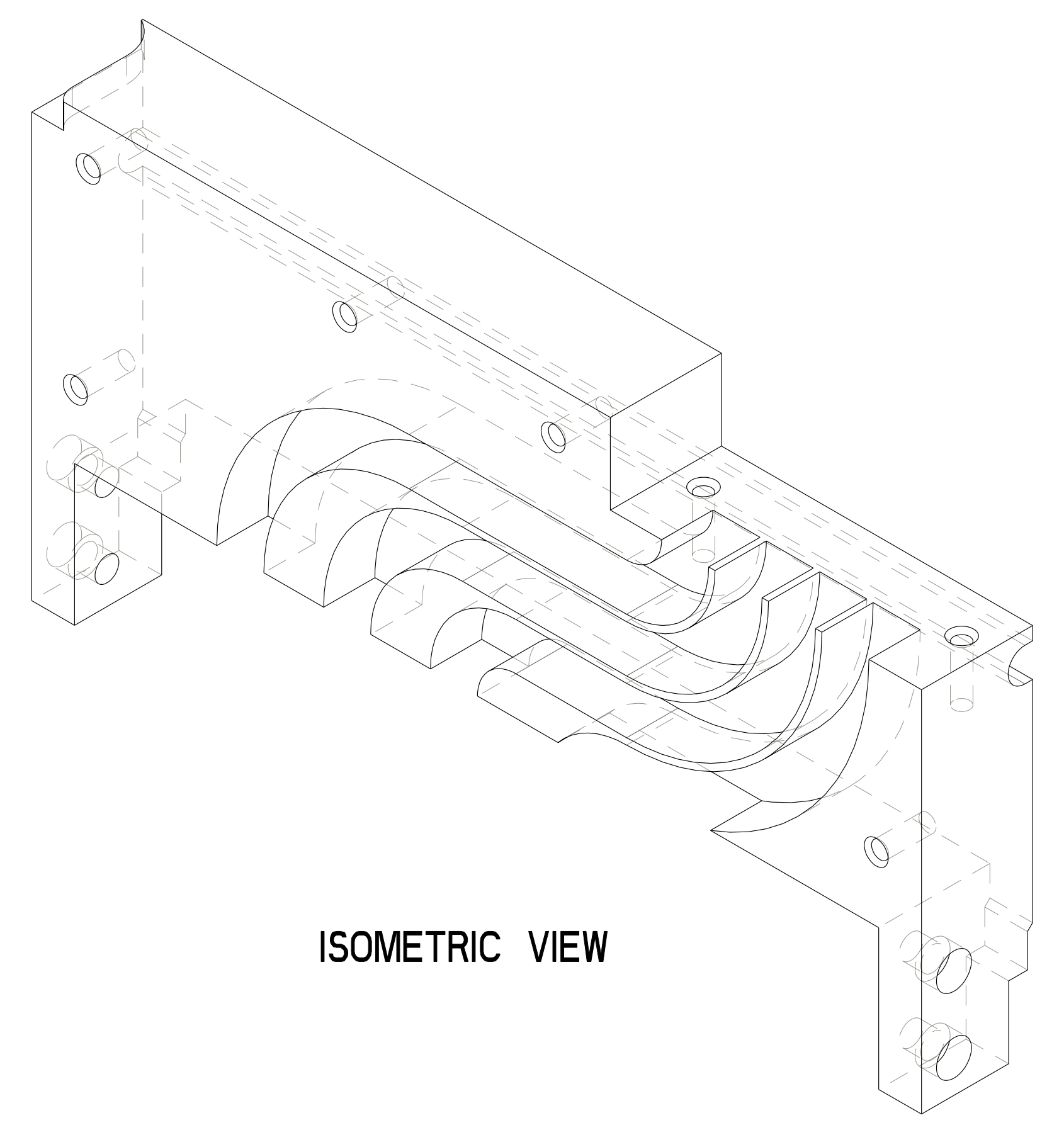
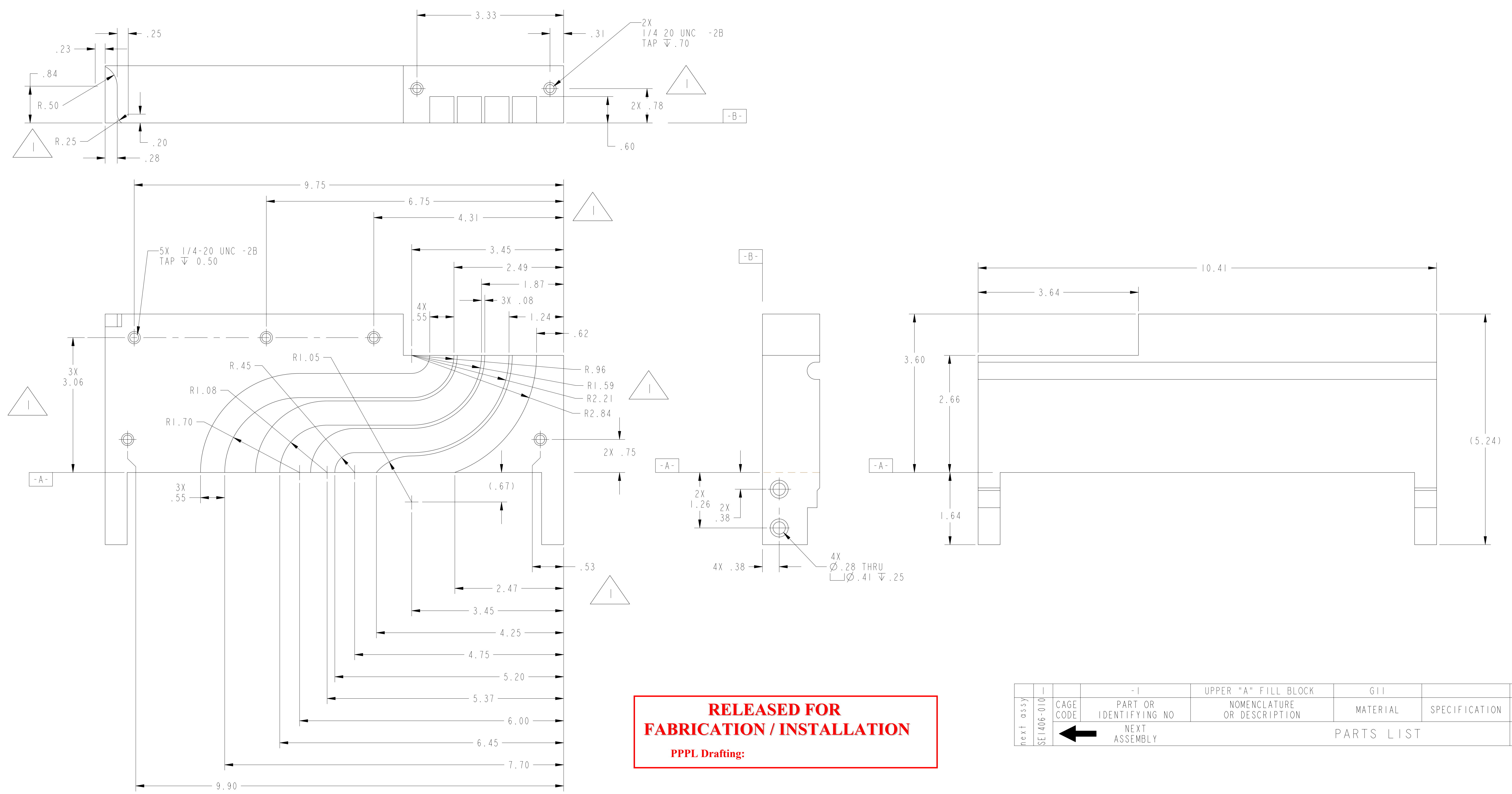


- NOTES:
1. INTERPRET DIMENSIONS AND TOLERANCES PER ANSI Y14.5M
  2. DIMENSIONS ARE IN INCHES
  3. DIMENSIONS APPLY AT ROOM TEMPERATURE. OPERATING TEMP 80 K.
  4. GEOMETRY IS DEFINED IN PRO ENGINEER CAD MODELS/FILES SE1406-136.PRT
  5. DRAWING AND MODELS COMBINED DEFINE FINISHED MACHINED PART.



ISOMETRIC VIEW



**RELEASED FOR  
 FABRICATION / INSTALLATION**  
 PPPL Drafting:

next assy	CAGE CODE	PART OR IDENTIFYING NO	NOMENCLATURE OR DESCRIPTION	MATERIAL	SPECIFICATION	FIND NO
SE1406-010	-1	UPPER "A" FILL BLOCK	G11			
		NEXT ASSEMBLY	PARTS LIST			

1 UPPER "A" FILL BLOCK

NO REPRESENTATION OR WARRANTY, EXPRESSED OR IMPLIED, IS MADE AS TO THE ACCURACY, COMPLETENESS OR USEFULNESS OF THE INFORMATION OR STATEMENTS CONTAINED IN THESE DRAWINGS, OR THAT THE USE OR DISCLOSURE OF ANY INFORMATION, APPARATUS, METHOD OR PROCESS DISCLOSED IN THESE DRAWINGS MAY NOT INFRINGE PRIVATE RIGHTS OF OTHERS. NO LIABILITY IS ASSUMED WITH RESPECT TO THE USE OF, OR FOR DAMAGES RESULTING FROM THE USE OF, ANY INFORMATION, APPARATUS, METHOD OR PROCESS DISCLOSED IN THESE DRAWINGS. DRAWINGS MADE AVAILABLE FOR INFORMATION TO BIDDER ARE NOT TO BE USED FOR OTHER PURPOSES, AND ARE TO BE RETURNED UPON REQUEST OF THE FORWARDING CONTRACTOR.

**P** THIS DRAWING PRODUCED ON PRO-ENGINEER

SCALE 1:1		DES: PJ FOGARTY 10-1-04	UT-BATTELLE				Oak Ridge National Laboratory managed for the DEPARTMENT OF ENERGY under U.S. GOVERNMENT contract DE-AC05-00OR22725 UT-BATTELLE, LLC, Oak Ridge, Tennessee						
TOLERANCES UNLESS OTHERWISE SPECIFIED		DRW: T HARGROVE 10-12-04	NATIONAL COMPACT STELLARATOR EXPERIMENT				TRC UPPER LEAD BLOCK SIDE "A"						
FRACTIONS ± .01		CHK: M COLE 10-14-04	PPPL DRFT J SIEGEL 10-14-04				VERSION NO. 9	PLANT X-10	BLDG 5700	FL 3	SHT OF 1	TYPE I	CLASS S
XXX DECIMALS ± .005		PE: D WILLIAMSON 10-14-04	PPPL DRFT J SIEGEL 10-14-04				RELEASE LEVEL	Fabrication		SE1406-136		REV	U
ANGLES ± 0°15'		CR: : :	PPPL DRFT J SIEGEL 10-14-04				DRAWING APPROVALS		DATE		REV		
BREAK SHARP EDGES .06 MAX		PJ: : :	PPPL DRFT J SIEGEL 10-14-04				DRAWING APPROVALS		DATE		REV		
FINISH .125 UNLESS OTHERWISE SPECIFIED		REG: : :	PPPL DRFT J SIEGEL 10-14-04				DRAWING APPROVALS		DATE		REV		
REV	DESCRIPTION	BY	DATE	CHK	DEPT	DATE	PE	REQ	DATE	ORNL	DOE	DATE	
1	REVISE PART AND DRAWING PER ECN 4953	GLL	2-05										
	REVISION OR ISSUE PURPOSE												

H  
G  
F  
E  
D  
C  
B  
A

SE1406-136