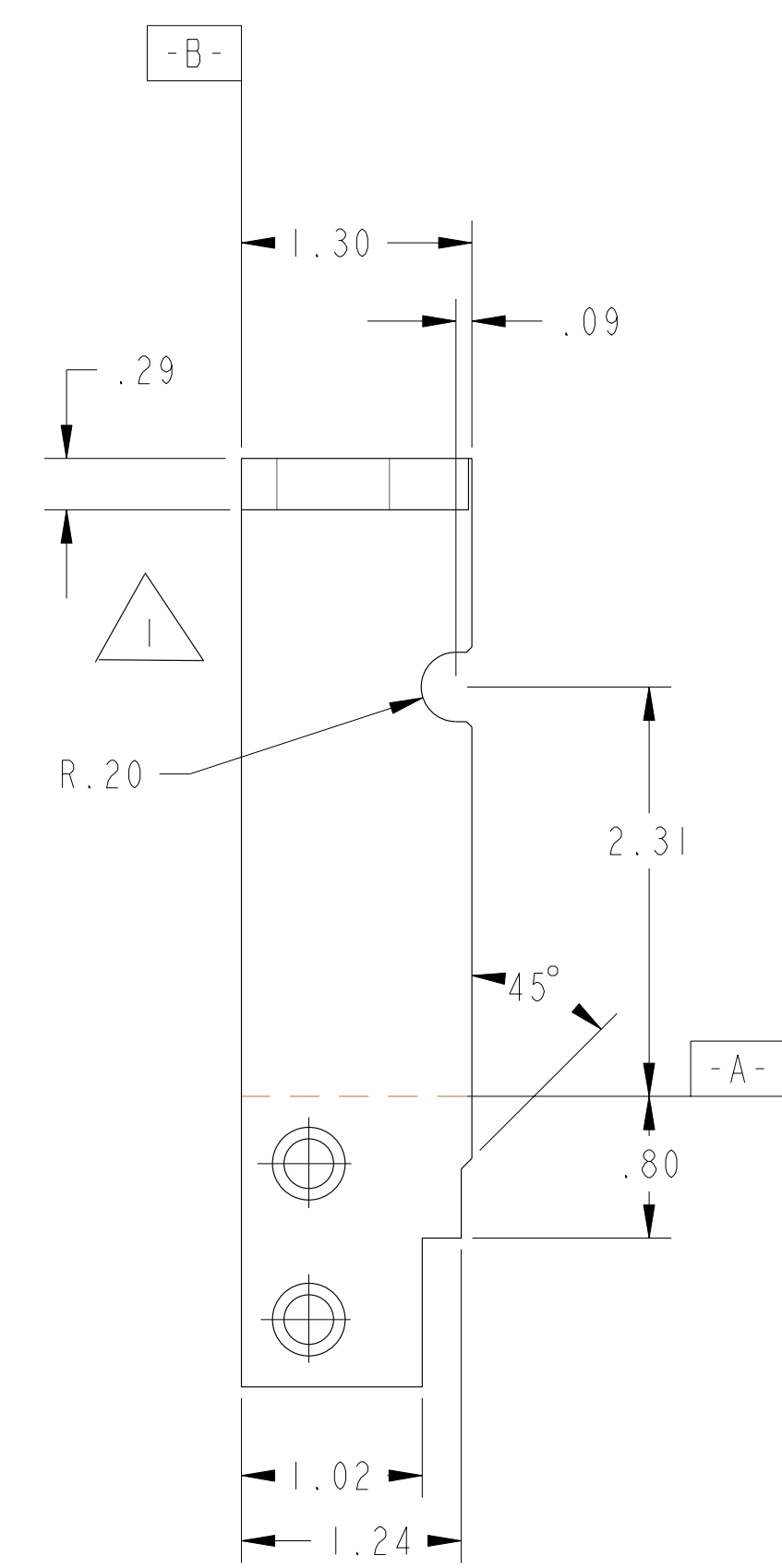
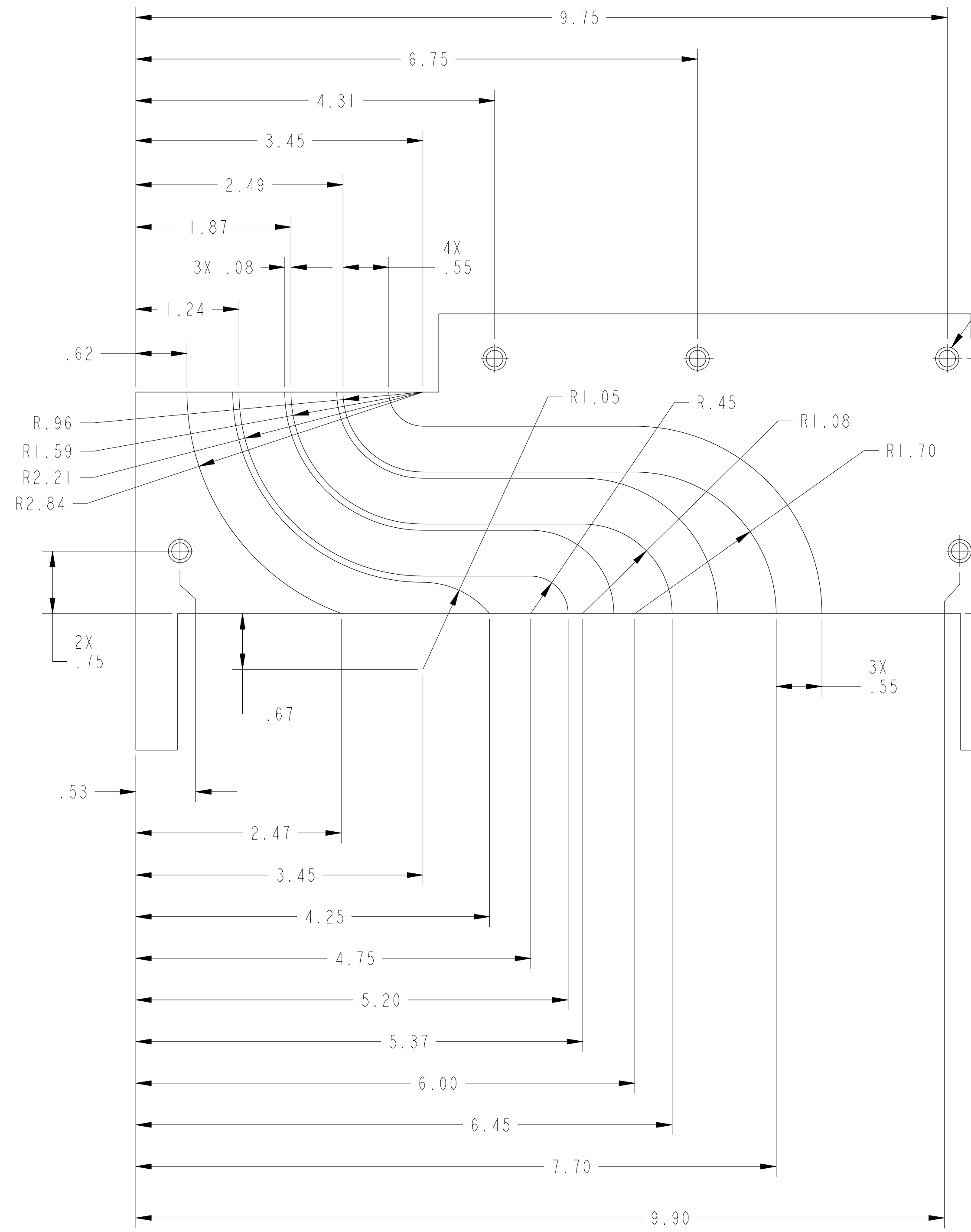
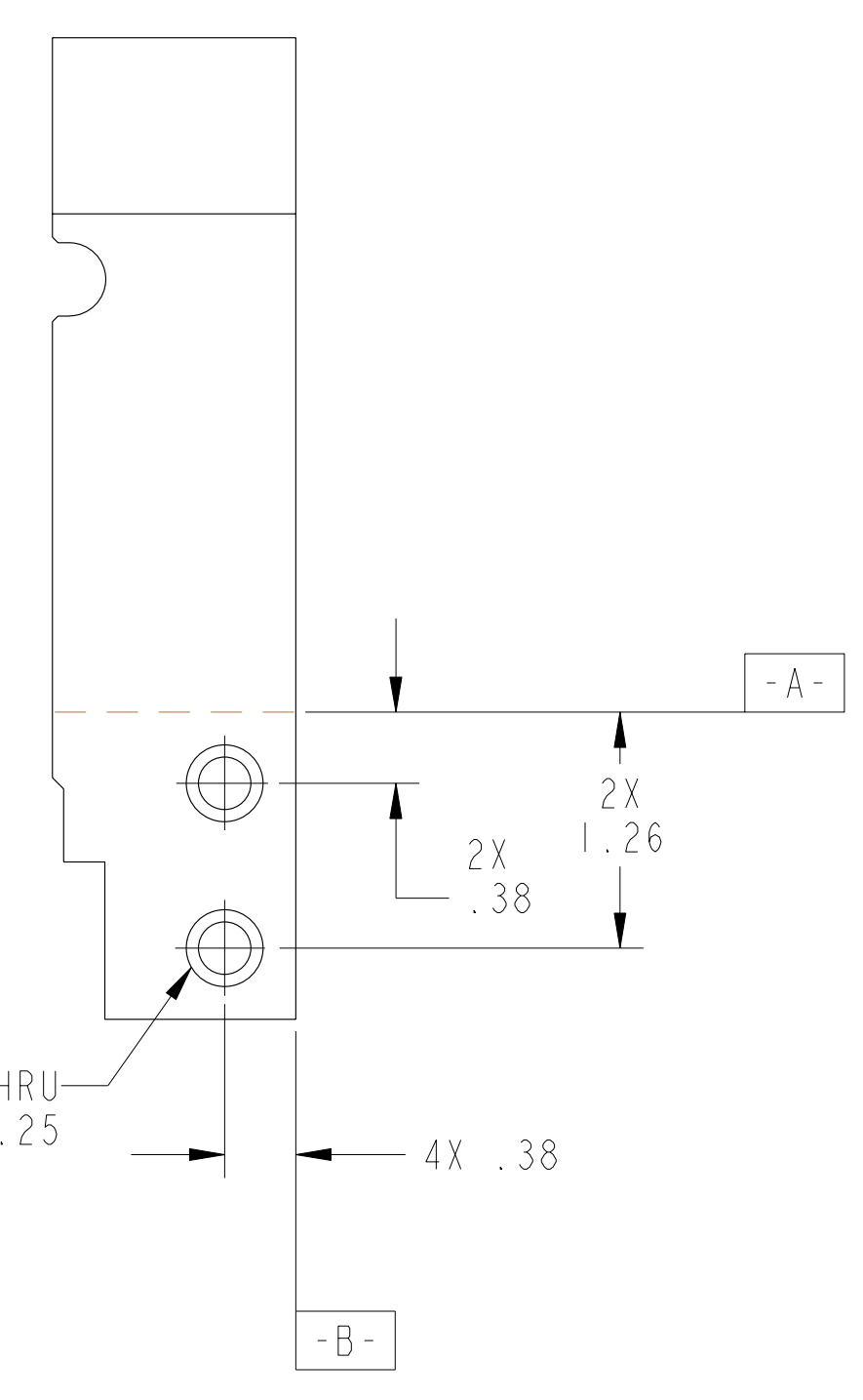
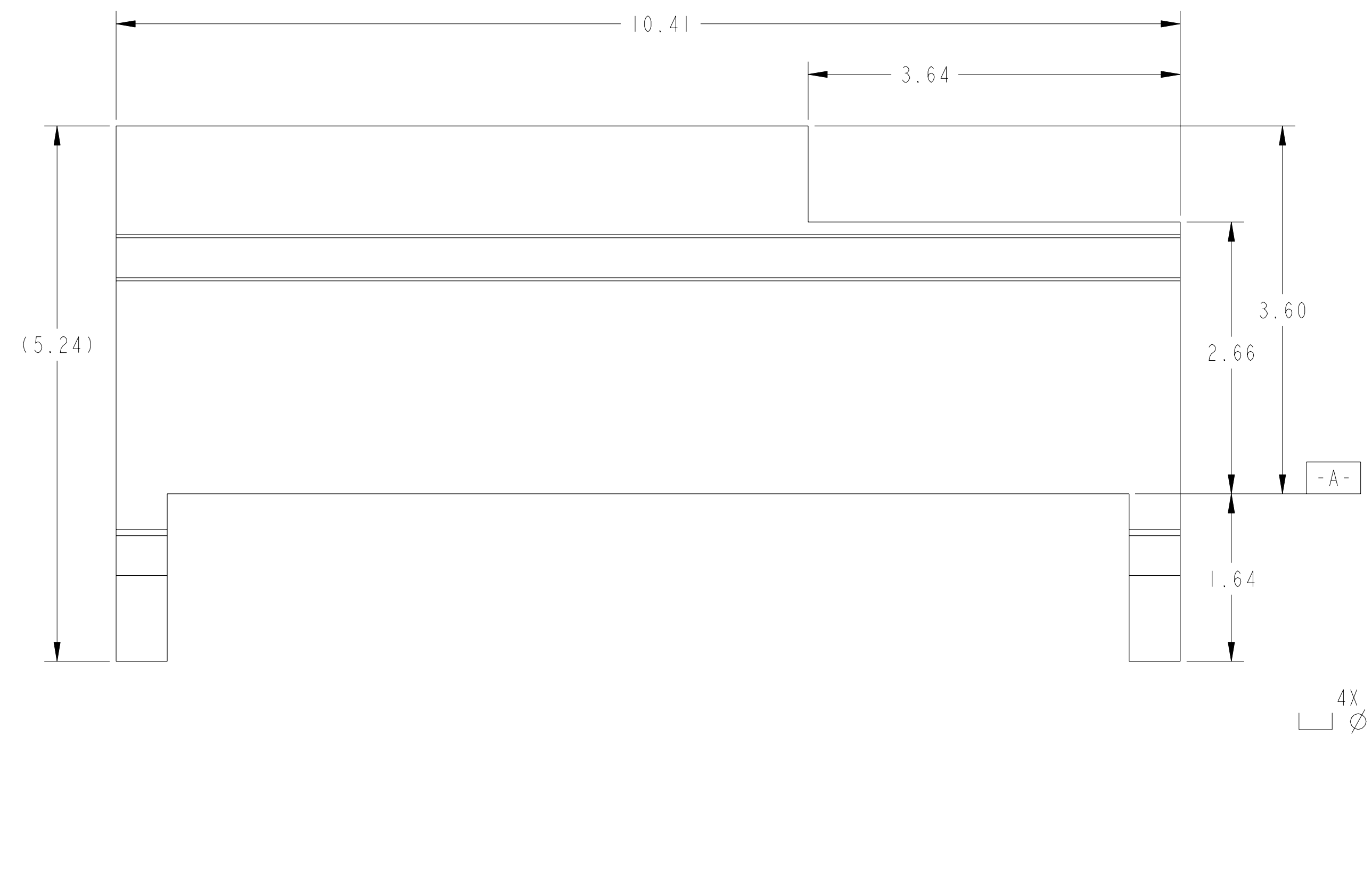
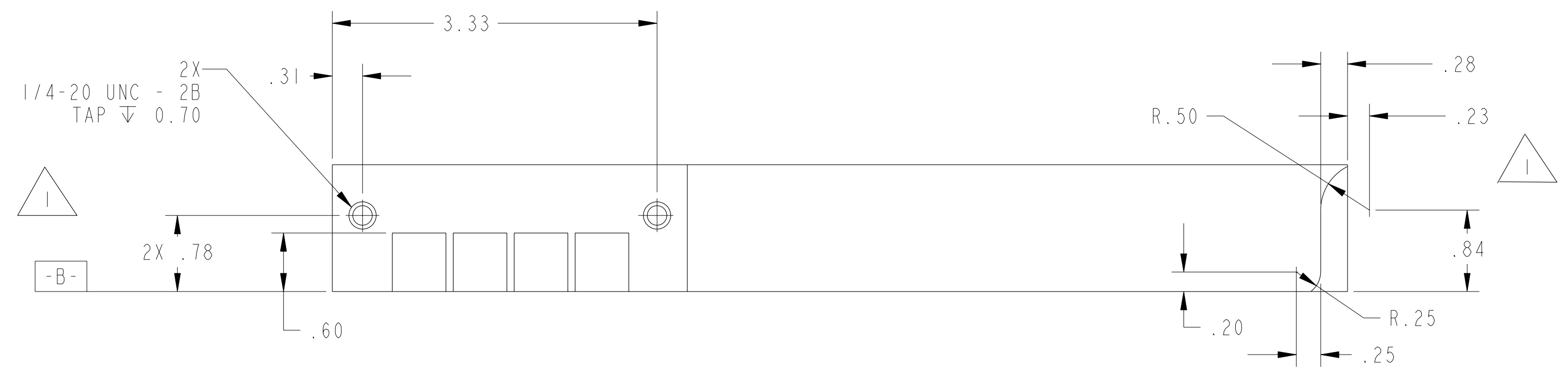
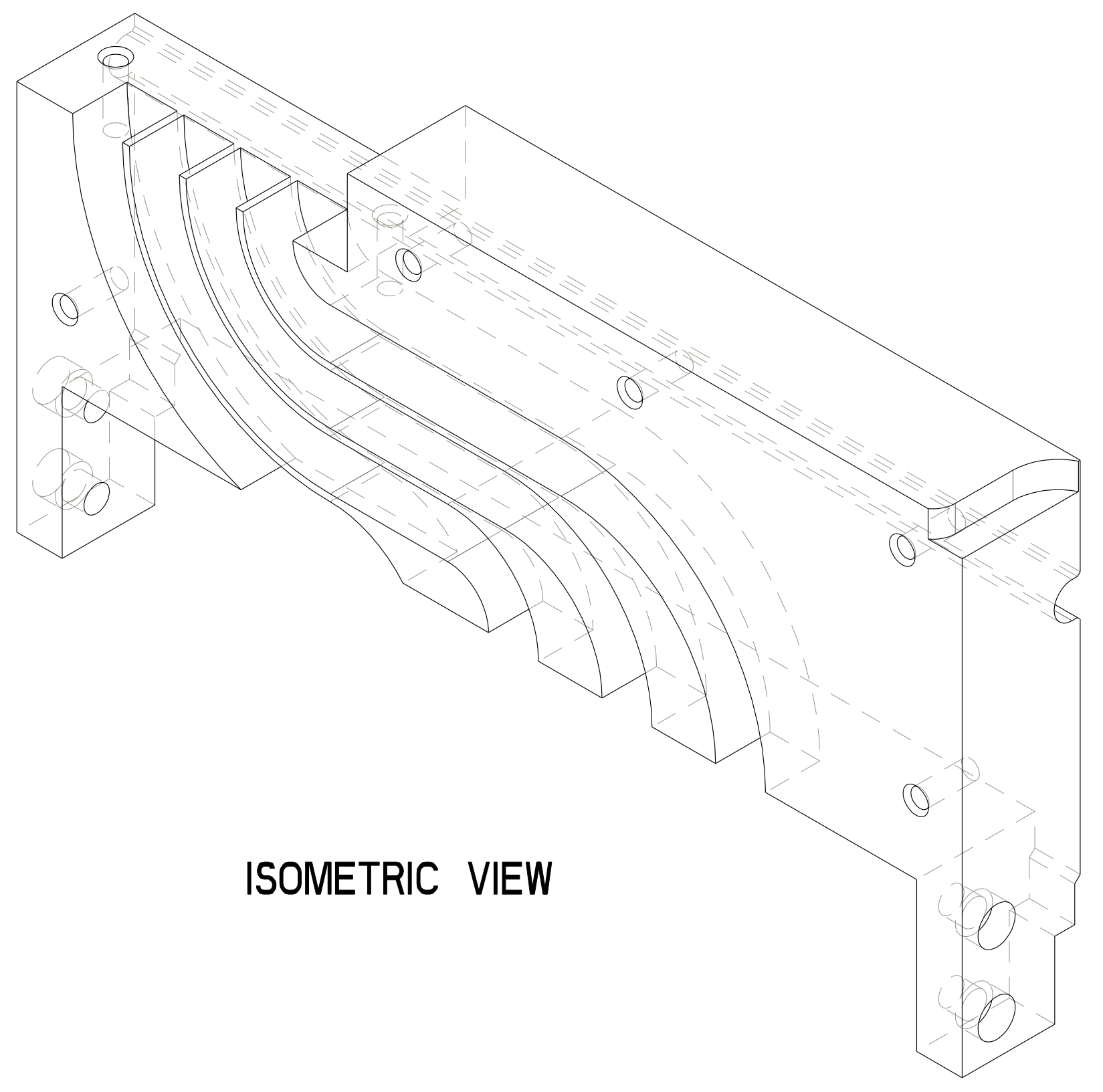


- NOTES:
1. INTERPRET DIMENSIONS AND TOLERANCES PER ANSI Y14.5M
  2. DIMENSIONS ARE IN INCHES
  3. DIMENSIONS APPLY AT ROOM TEMPERATURE. OPERATING TEMP 80 K.
  4. GEOMETRY IS DEFINED IN PRO ENGINEER CAD MODELS/FILES SEI406-137.PRT
  5. DRAWING AND MODELS COMBINED DEFINE FINISHED MACHINED PART.



**RELEASED FOR FABRICATION / INSTALLATION**  
 PPPL Drafting:

1 UPPER "B" FILL BLOCK

next assy	1	-1	UPPER "B" FILL BLOCK	G11	1
	CAGE CODE	PART OR IDENTIFYING NO	NOMENCLATURE OR DESCRIPTION	MATERIAL	FIND NO
SEI406-010					
			NEXT ASSEMBLY		
				PARTS LIST	

NO REPRESENTATION OR WARRANTY, EXPRESSED OR IMPLIED, IS MADE AS TO THE ACCURACY, COMPLETENESS OR USEFULNESS OF THE INFORMATION OR STATEMENTS CONTAINED IN THESE DRAWINGS, OR THAT THE USE OR DISCLOSURE OF ANY INFORMATION, APPARATUS, METHOD OR PROCESS DISCLOSED IN THESE DRAWINGS MAY NOT INFRINGE PRIVATE RIGHTS OF OTHERS. NO LIABILITY IS ASSUMED WITH RESPECT TO THE USE OF, OR FOR DAMAGES RESULTING FROM THE USE OF, ANY INFORMATION, APPARATUS, METHOD OR PROCESS DISCLOSED IN THESE DRAWINGS. DRAWINGS MADE AVAILABLE FOR INFORMATION TO BIDDER ARE NOT TO BE USED FOR OTHER PURPOSES, AND ARE TO BE RETURNED UPON REQUEST OF THE FORWARDING CONTRACTOR.

**P** THIS DRAWING PRODUCED ON PRO-ENGINEER

SCALE 1:1	DES: PJ FOGARTY 10-1-04	<b>UT-BATTELLE</b> Oak Ridge National Laboratory managed for the DEPARTMENT OF ENERGY under U.S. GOVERNMENT contract DE-AC05-00OR22725 UT-BATTELLE, LLC, Oak Ridge, Tennessee PROJECT NAME: NATIONAL COMPACT STELLARATOR EXPERIMENT
TOLERANCES UNLESS OTHERWISE SPECIFIED:	DRW: T HARGROVE 10-12-04	
FRACTIONS: XX DECIMALS ±.01	CHK: M COLE 10-14-04	
XXX DECIMALS ±.005	DEPT: :	
ANGLES ±0°15'	PE: D WILLIAMSON 10-14-04	TRC UPPER LEAD BLOCK SIDE "B"
BREAK SHARP EDGES .06 MAX	CR: :	PPPL DRFT J SIEGEL 10-14-04
FINISH .125 UNLESS OTHERWISE SPECIFIED	REQ: :	VERSION NO. 9
	ORNL: :	PLANT X-10
	DOE: :	BLDG 5700
	DATE: :	FL 3
		SHT 1
		OF 1
		TYPE I
		CLASS U
		RELEASE LEVEL Fabrication
		SEI406-137
		REV 1

H  
G  
F  
E  
D  
C  
B  
A