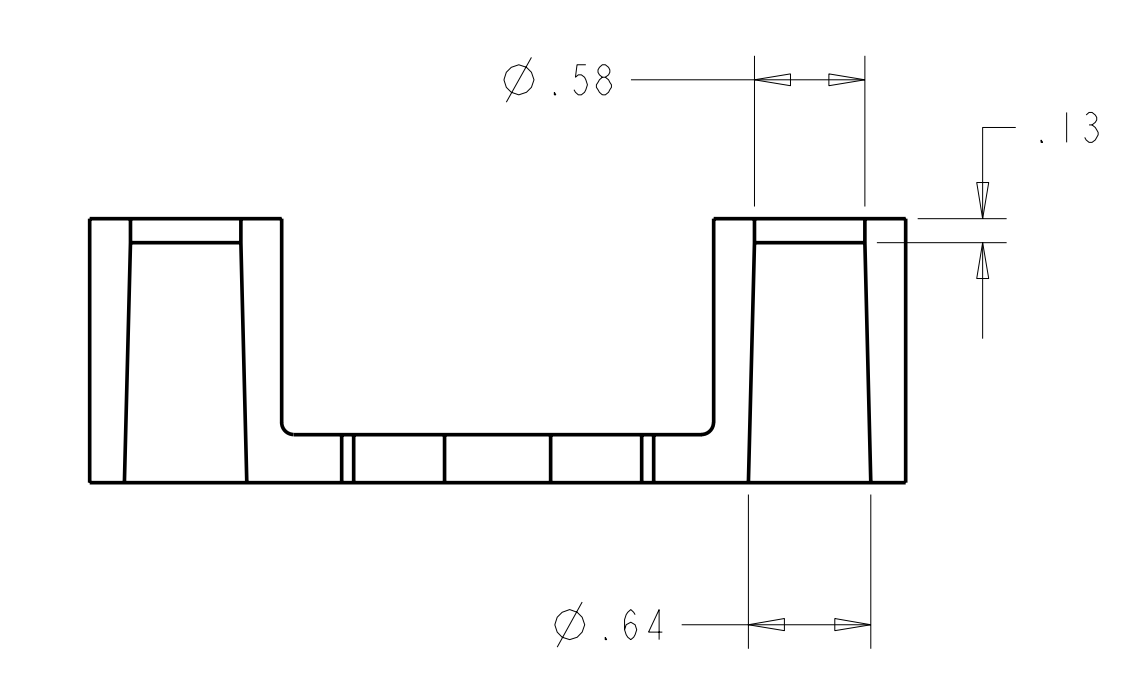
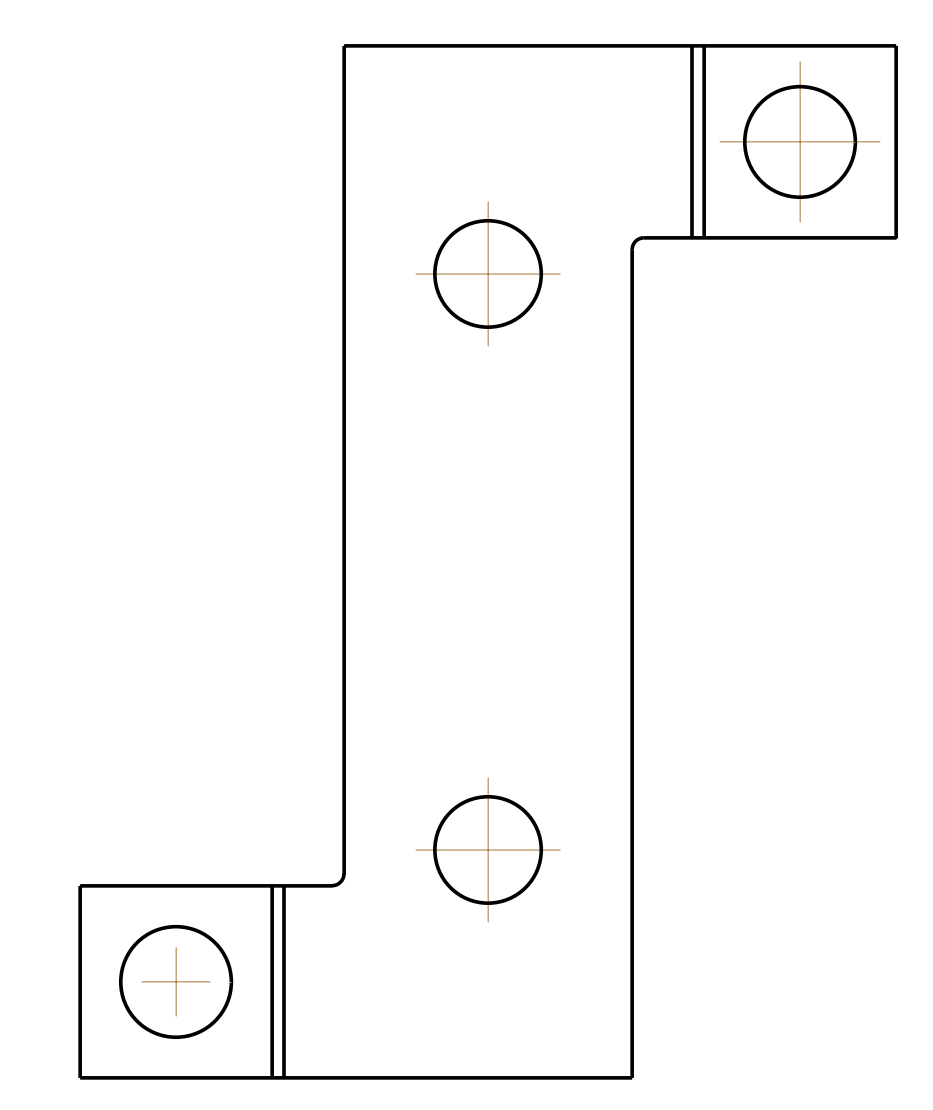
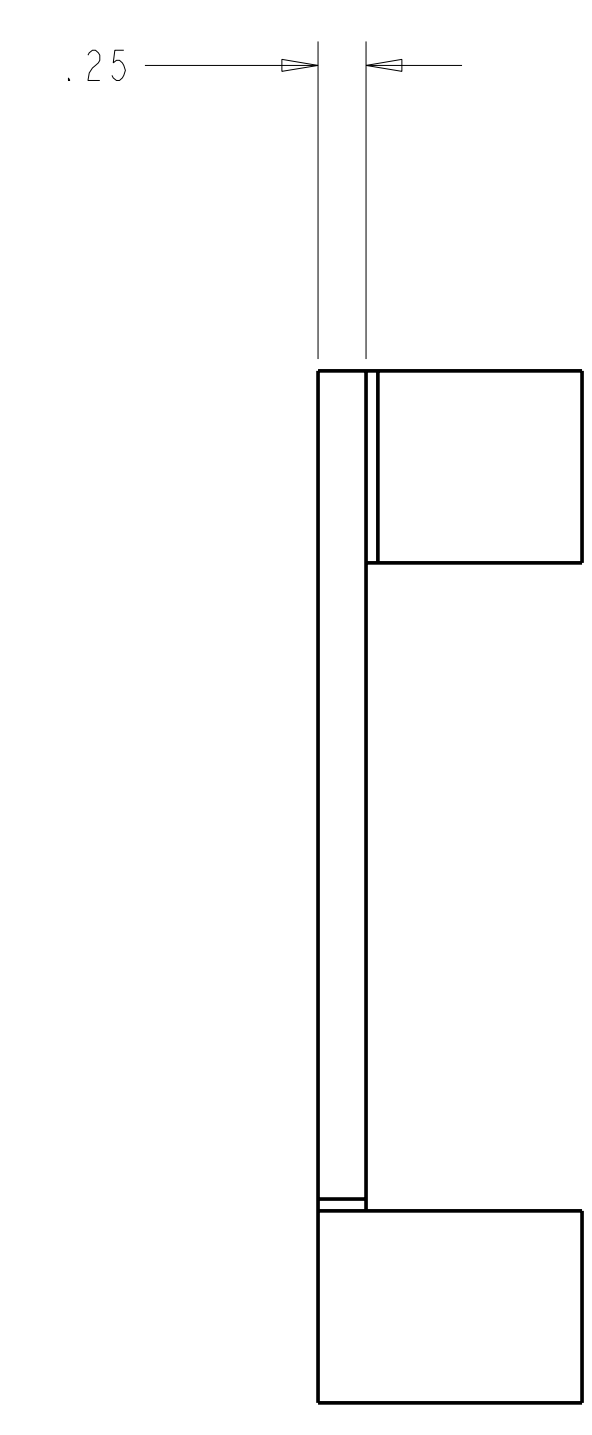
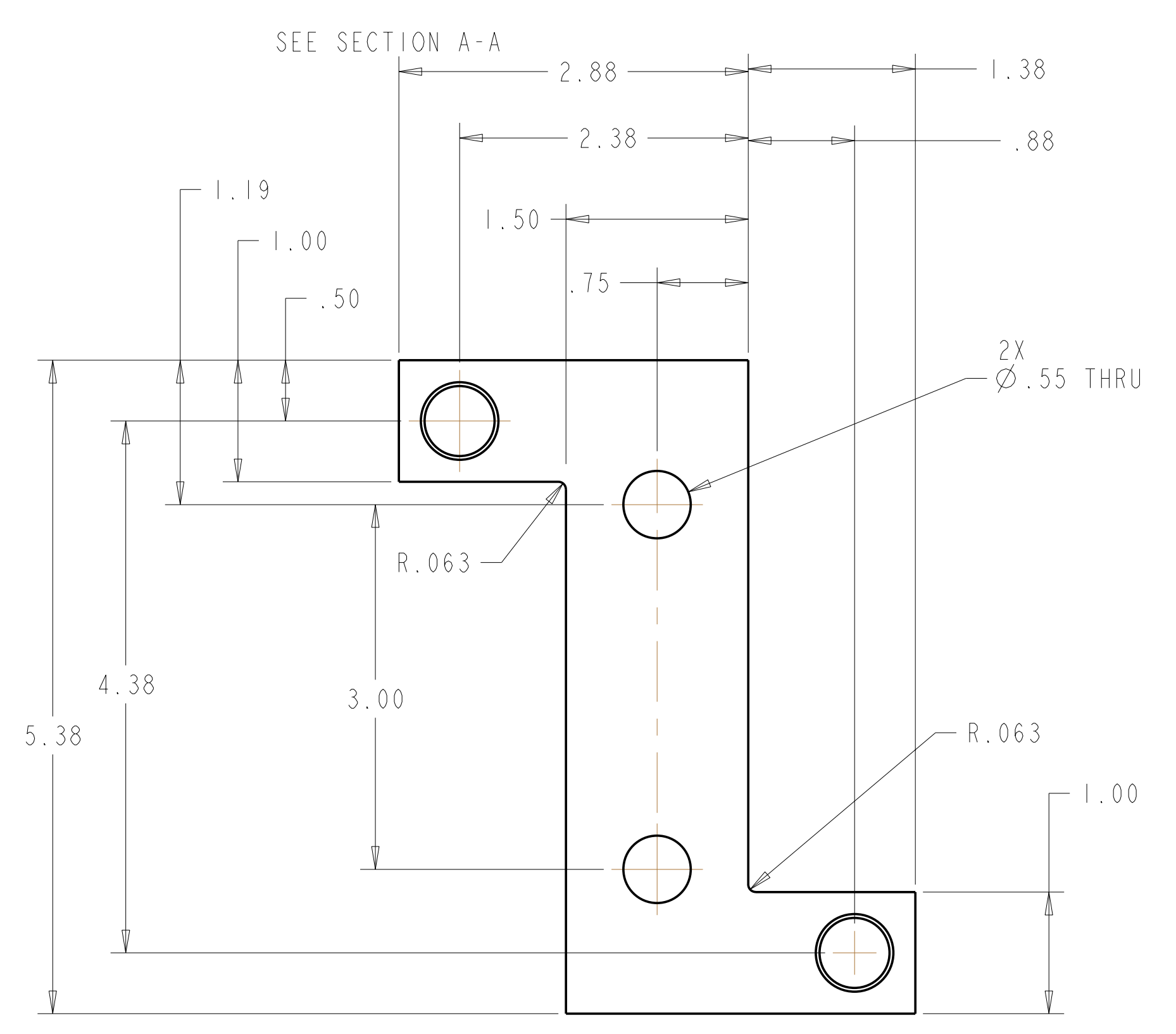
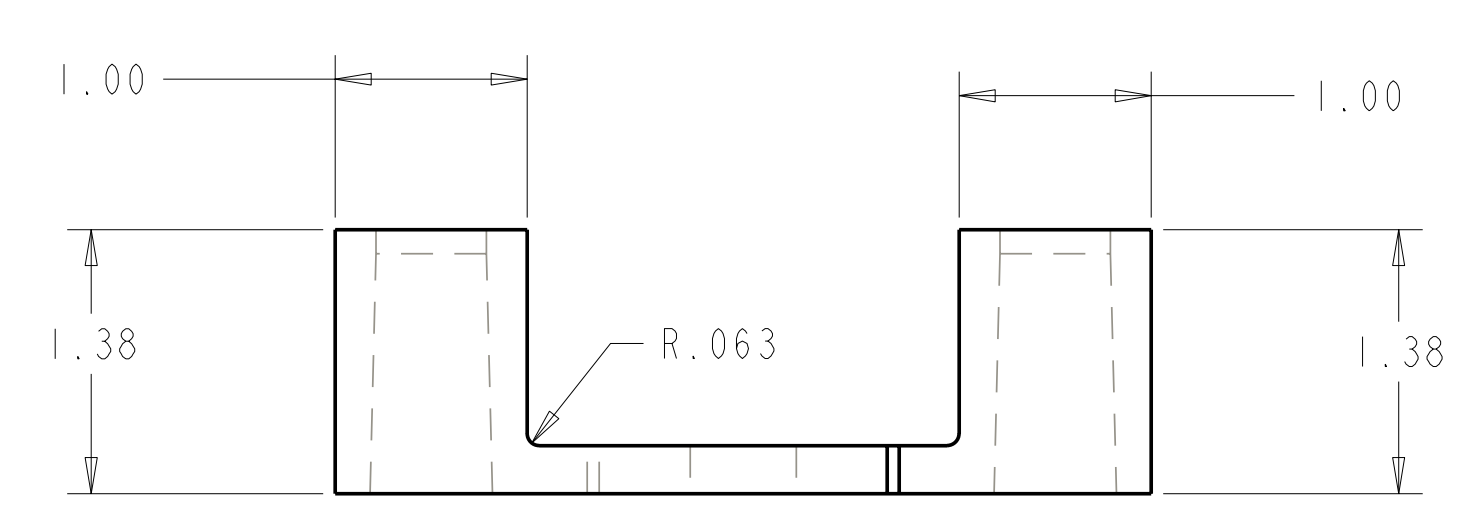


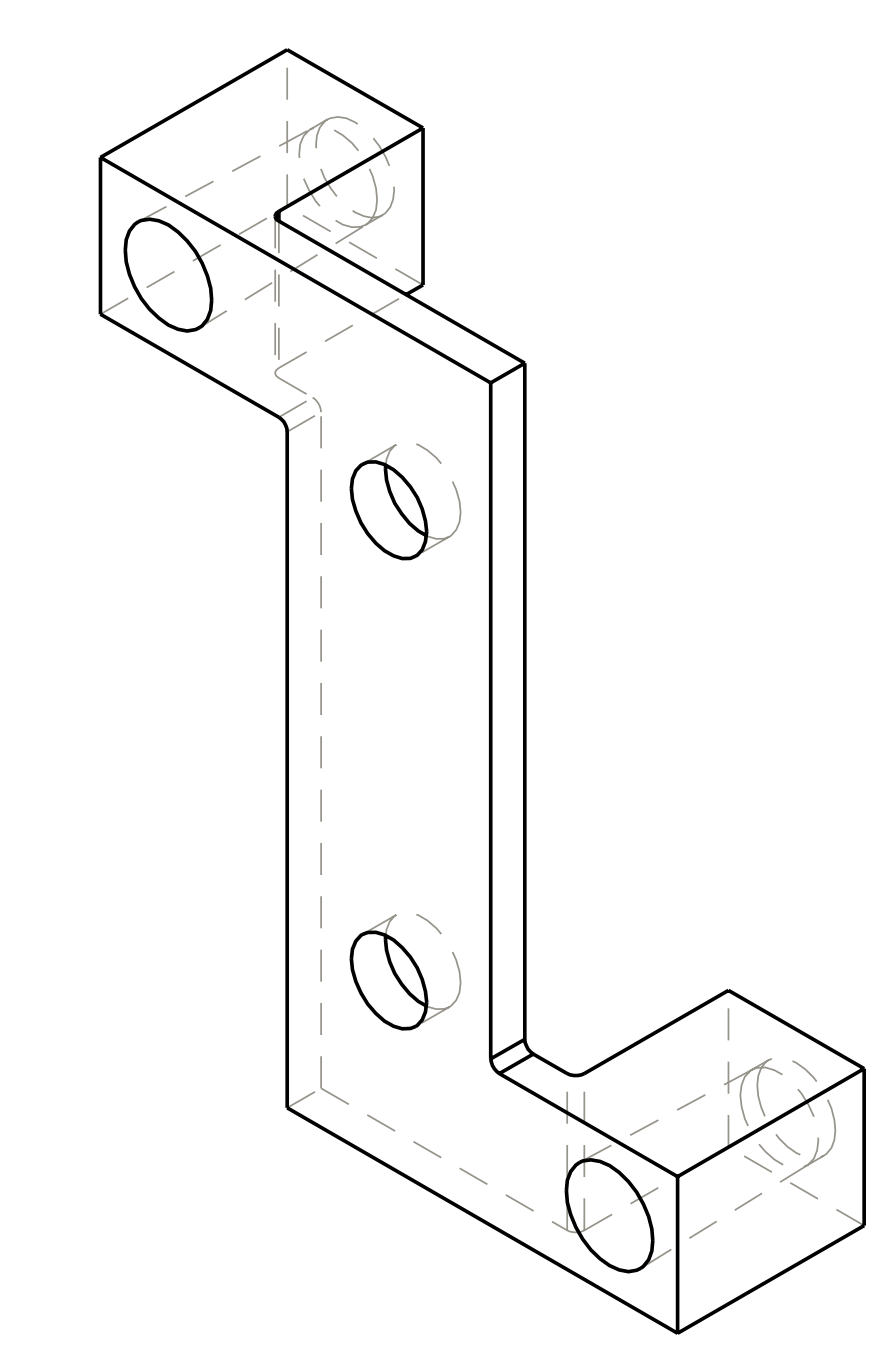
- NOTES:
1. INTERPRET DIMENSIONS AND TOLERANCES PER ANSI Y14.5M
 2. DIMENSIONS ARE IN INCHES
 3. DIMENSIONS APPLY AT ROOM TEMPERATURE. OPERATING TEMP 80 K.
 4. GEOMETRY IS DEFINED IN PRO ENGINEER CAD MODELS/FILES SEI406-051.PRT
 5. DRAWING AND MODELS COMBINED DEFINE FINISHED MACHINED PART.



I

TYPICAL 2 PLACES
 SCALE 1.000

RELEASED FOR FABRICATION / INSTALLATION
 PPPL Drafting:



ISOMETRIC VIEW

next assy	AR	-1	JUMPER I	CDA101		
SEI406-050	CAGE CODE	PART OR IDENTIFYING NO	NOMENCLATURE OR DESCRIPTION	MATERIAL	SPECIFICATION	FIND NO
		NEXT ASSEMBLY		PARTS LIST		

SCALE 1:1	DES PJ FOGARTY 8-12-04	UT-BATTELLE Oak Ridge National Laboratory managed for the DEPARTMENT OF ENERGY under U.S. GOVERNMENT contract DE-AC05-00OR22725 UT-BATTELLE, LLC, Oak Ridge, Tennessee PROJECT NAME NATIONAL COMPACT STELLARATOR EXPERIMENT											
TOLERANCES UNLESS OTHERWISE SPECIFIED	DRW G LOVETT 8-12-04												
FRACTIONS	CHK G JONES 8-12-04												
XX DECIMALS ±.01	DEPT :												
XXX DECIMALS ±.005	PE D WILLIAMSON 8-12-04	VERSION NO. :											
ANGLES ±0°15'	CR :	PLANT X-10											
BREAK SHARP EDGES .06 MAX	PJ :	BLDG 5700											
FINISH .125 UNLESS OTHERWISE SPECIFIED	RD :	FL 3											
	PPPL DRFT J STEGLE	SHT OF 1											
		TYPE I											
		CLASS U											
REV	DESCRIPTION	BY	DATE	CHK	DEPT	DATE	PE	REQ	DATE	DRNL	DOE	DATE	REV
	REVISION OR ISSUE PURPOSE												0

NO REPRESENTATION OR WARRANTY, EXPRESSED OR IMPLIED, IS MADE AS TO THE ACCURACY, COMPLETENESS OR USEFULNESS OF THE INFORMATION OR STATEMENTS CONTAINED IN THESE DRAWINGS, OR THAT THE USE OR DISCLOSURE OF ANY INFORMATION, APPARATUS, METHOD OR PROCESS DISCLOSED IN THESE DRAWINGS MAY NOT INFRINGE PRIVATE RIGHTS OF OTHERS. NO LIABILITY IS ASSUMED WITH RESPECT TO THE USE OF, OR FOR DAMAGES RESULTING FROM THE USE OF, ANY INFORMATION, APPARATUS, METHOD OR PROCESS DISCLOSED IN THESE DRAWINGS. DRAWINGS MADE AVAILABLE FOR INFORMATION TO BIDDER ARE NOT TO BE USED FOR OTHER PURPOSES, AND ARE TO BE RETURNED UPON REQUEST OF THE FORWARDING CONTRACTOR.

P THIS DRAWING PRODUCED ON PRO-ENGINEER

H
G
F
E
D
C
B
A

H
G
F
E
D
C
B
A