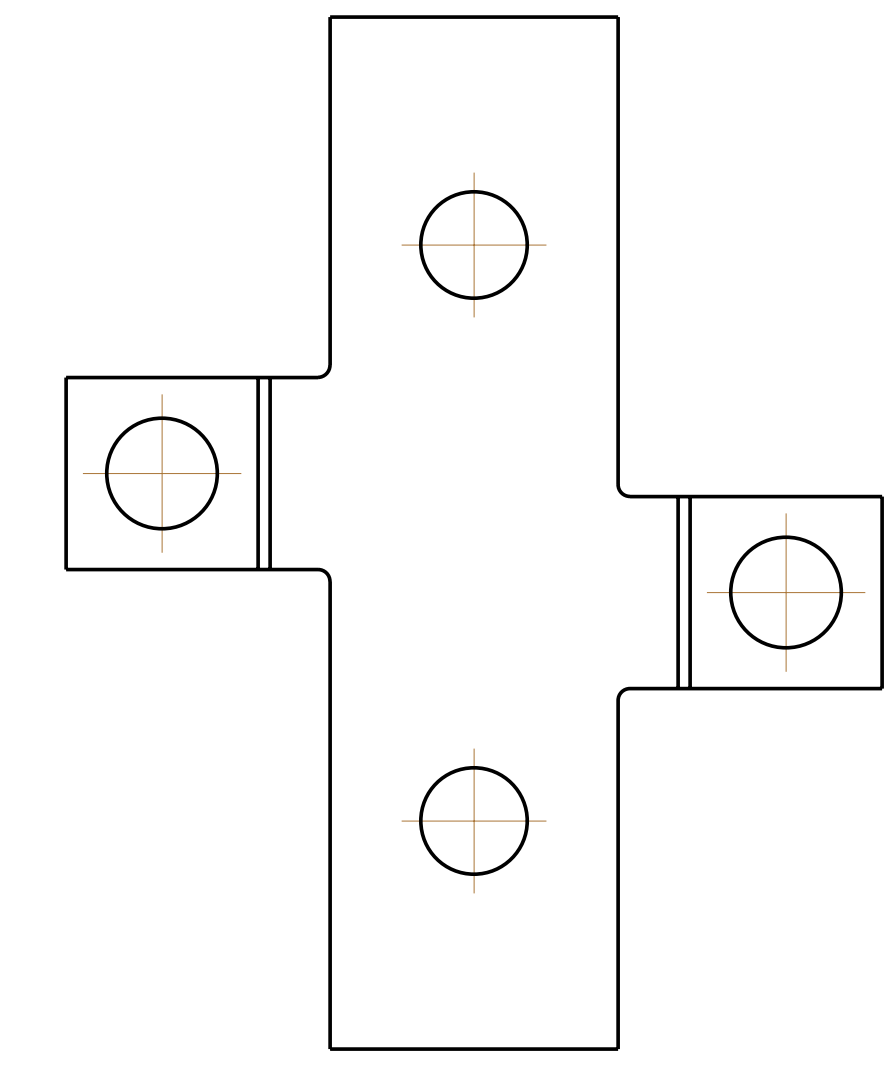
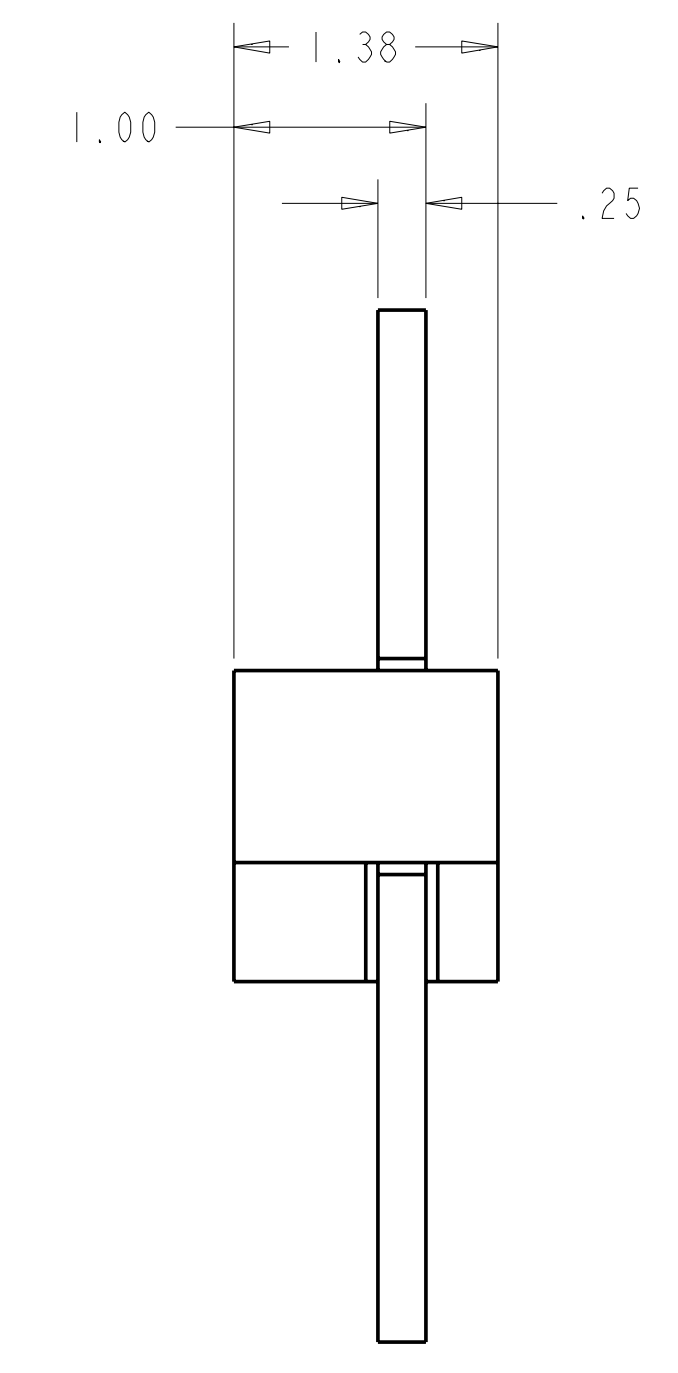
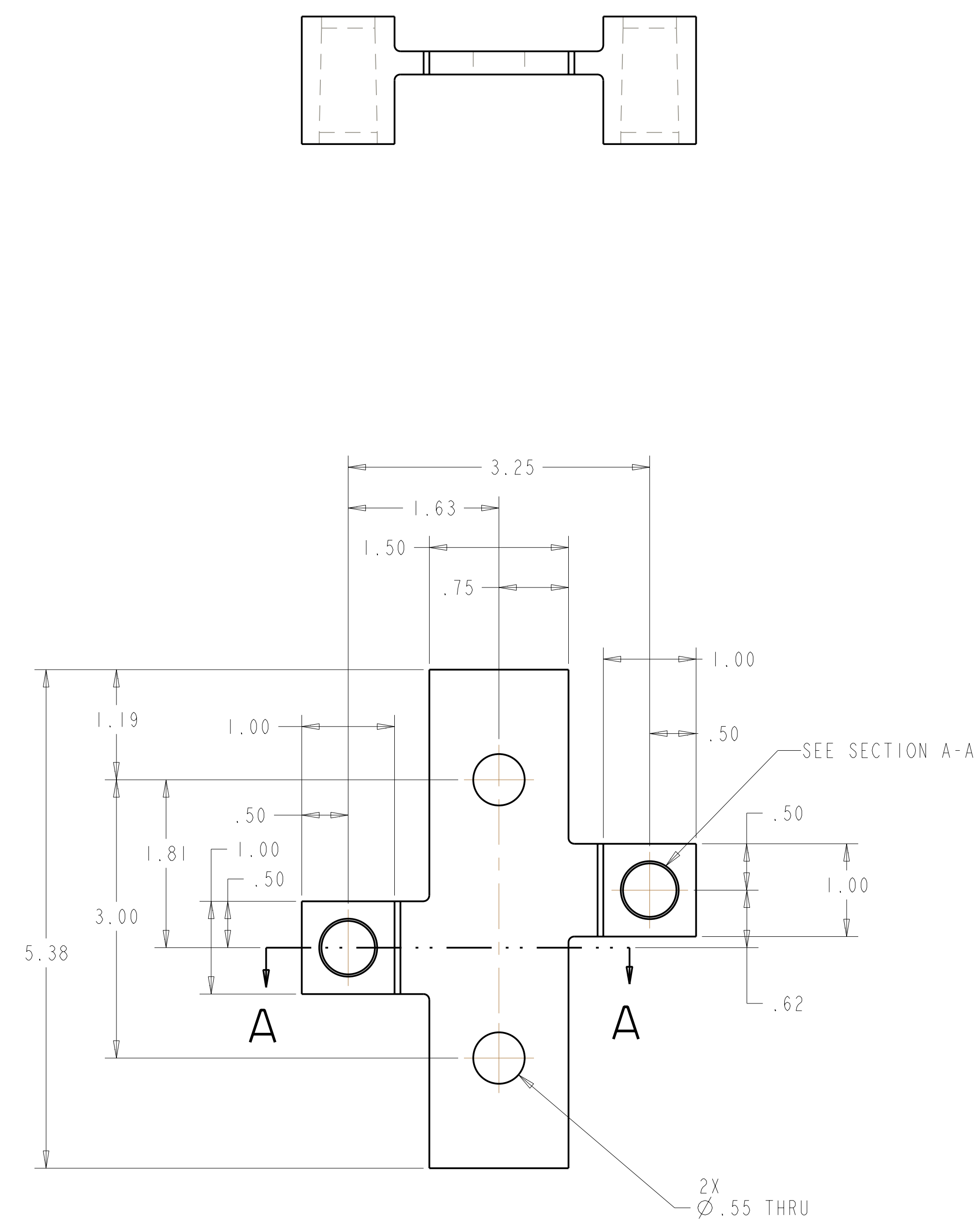
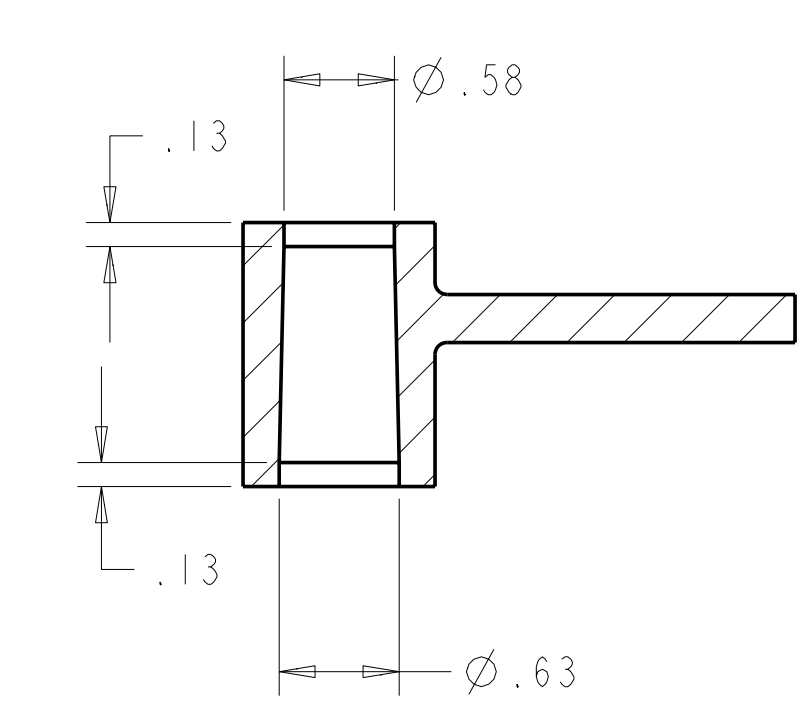


- NOTES:
1. INTERPRET DIMENSIONS AND TOLERANCES PER ANSI Y14.5M
 2. DIMENSIONS ARE IN INCHES
 3. DIMENSIONS APPLY AT ROOM TEMPERATURE. OPERATING TEMP 80 K.
 4. GEOMETRY IS DEFINED IN PRO ENGINEER CAD MODELS/FILES SE1406-053.PRT
 5. DRAWING AND MODELS COMBINED DEFINE FINISHED MACHINED PART.

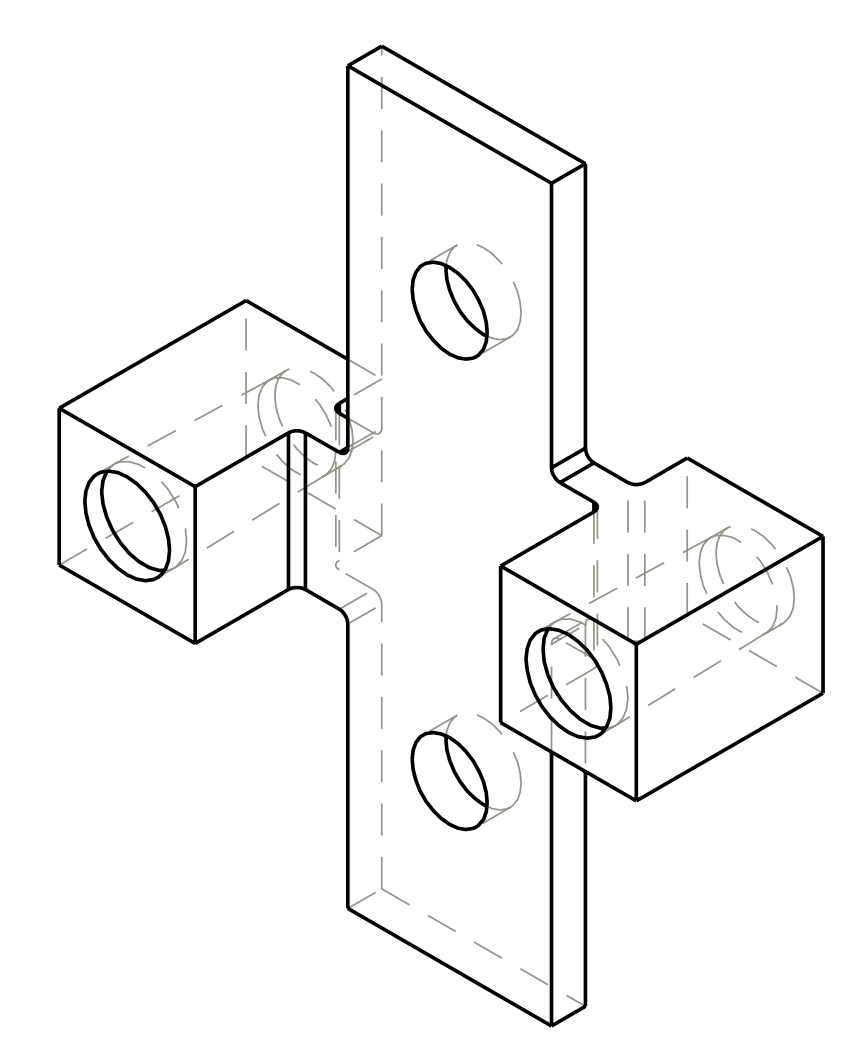


I



SECTION A-A
 SCALE 1:1.00
 TYPICAL 2 PLACES

RELEASED FOR FABRICATION / INSTALLATION
 PPPL Drafting:



ISOMETRIC VIEW

| | | | | | | |
|------------|-----------|------------------------|-----------------------------|----------|---------------|---------|
| next assy | AR | -1 | JUMPER 3 | CDA101 | | |
| SE1406-010 | CAGE CODE | PART OR IDENTIFYING NO | NOMENCLATURE OR DESCRIPTION | MATERIAL | SPECIFICATION | FIND NO |
| | | NEXT ASSEMBLY | | | | |

← PARTS LIST

NO REPRESENTATION OR WARRANTY, EXPRESSED OR IMPLIED, IS MADE AS TO THE ACCURACY, COMPLETENESS OR USEFULNESS OF THE INFORMATION OR STATEMENTS CONTAINED IN THESE DRAWINGS, OR THAT THE USE OR DISCLOSURE OF ANY INFORMATION, APPARATUS, METHOD OR PROCESS DISCLOSED IN THESE DRAWINGS MAY NOT INFRINGE PRIVATE RIGHTS OF OTHERS. NO LIABILITY IS ASSUMED WITH RESPECT TO THE USE OF, OR FOR DAMAGES RESULTING FROM THE USE OF, ANY INFORMATION, APPARATUS, METHOD OR PROCESS DISCLOSED IN THESE DRAWINGS. DRAWINGS MADE AVAILABLE FOR INFORMATION TO BIDDER ARE NOT TO BE USED FOR OTHER PURPOSES, AND ARE TO BE RETURNED UPON REQUEST OF THE FORWARDING CONTRACTOR.

P THIS DRAWING PRODUCED ON PRO-ENGINEER

| REV | DESCRIPTION | BY | DATE | CHK | DEPT | DATE | PE | REQ | DATE | DRNL | DOE | DATE |
|-----|-------------|----|------|-----|------|------|----|-----|------|------|-----|------|
| | | | | | | | | | | | | |

| | | |
|--|-------------------------|---|
| SCALE 1:1 UNO | DES PJ FOGARTY 8-12-04 | UT-BATTELLE Oak Ridge National Laboratory managed for the DEPARTMENT OF ENERGY under U.S. GOVERNMENT contract DE-AC05-00OR22725 UT-BATTELLE, LLC. Oak Ridge, Tennessee PROJECT NAME NATIONAL COMPACT STELLARATOR EXPERIMENT |
| TOLERANCES UNLESS OTHERWISE SPECIFIED | DRW G LOVETT 8-12-04 | |
| FRACTIONS | CHK G JONES 8-12-04 | |
| XX DECIMALS ±.01 | DEPT : | |
| XXX DECIMALS ±.005 | PE D WILLIAMSON 8-12-04 | VERSION NO. : |
| ANGLES ±0°15' | CR : | PLANT X-10 |
| BREAK SHARP EDGES .06 MAX | PJ : | BLDG 5700 |
| FINISH .125 UNLESS OTHERWISE SPECIFIED | RED : | FL 3 |
| | PPPL DRFT J STEGLE | SHT OF 1 |
| | | TYPE I |
| | | CLASS U |
| | | RELEASE LEVEL |
| | | Fabrication |
| | | SE1406-053 |
| | | REV 0 |

H
G
F
E
D
C
B
A

H
G
F
E
D
C
B
A