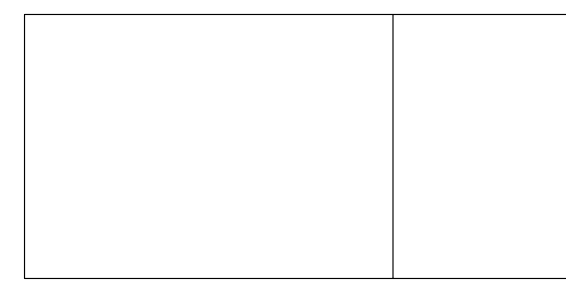
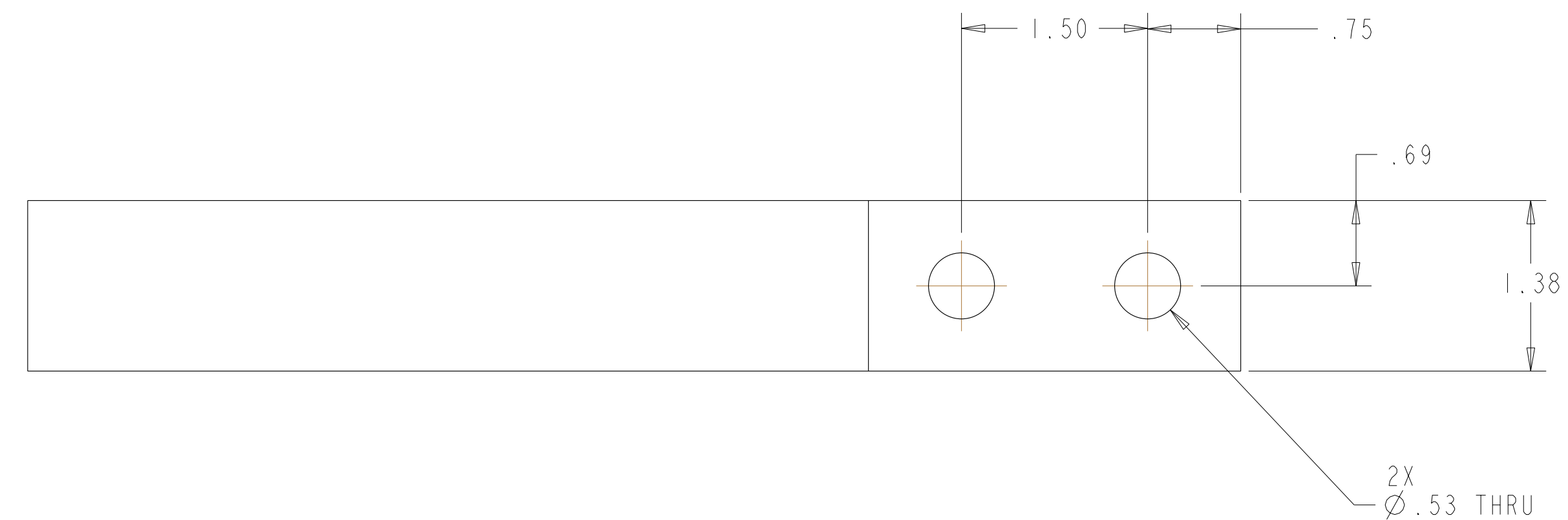
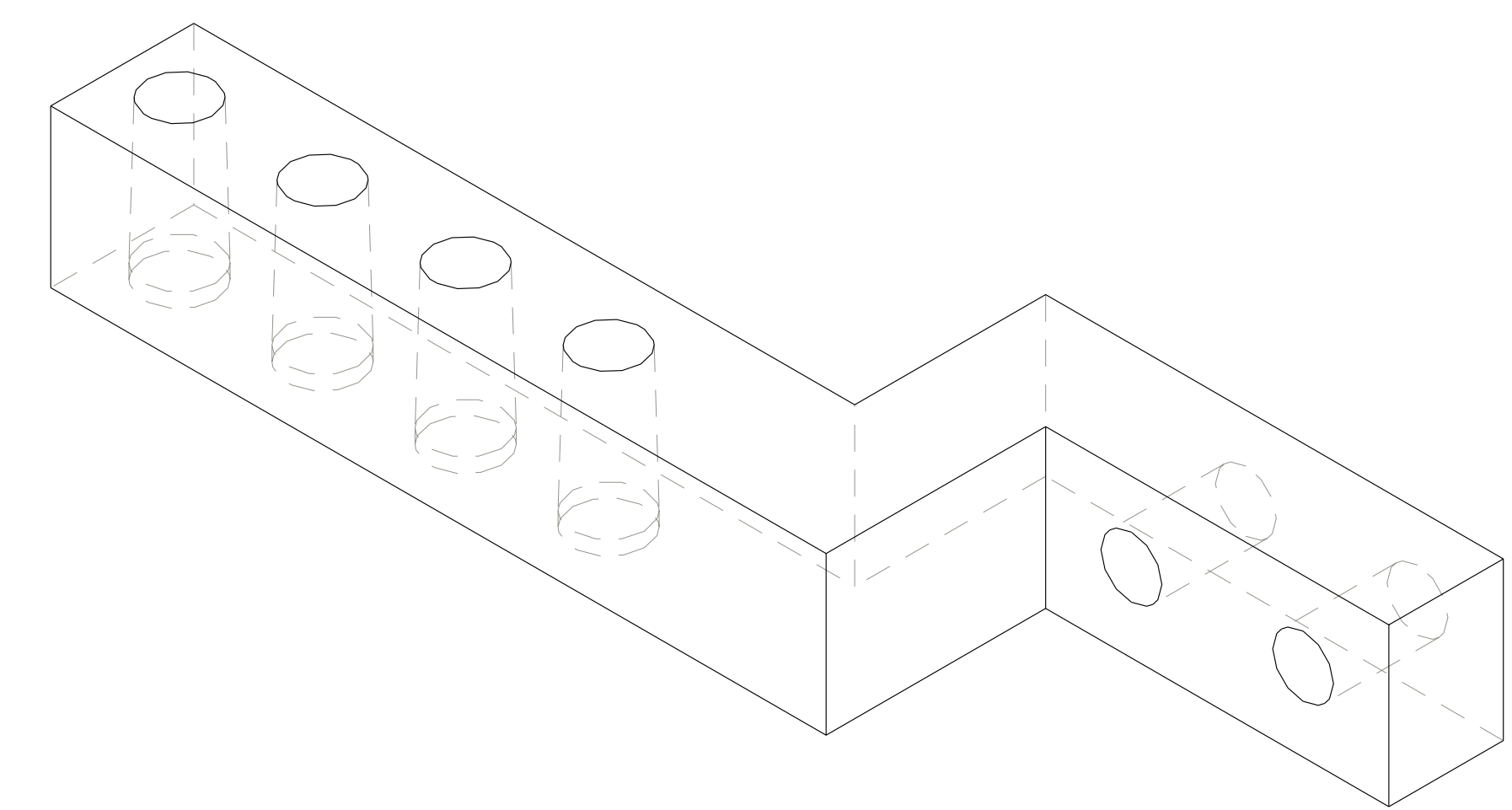


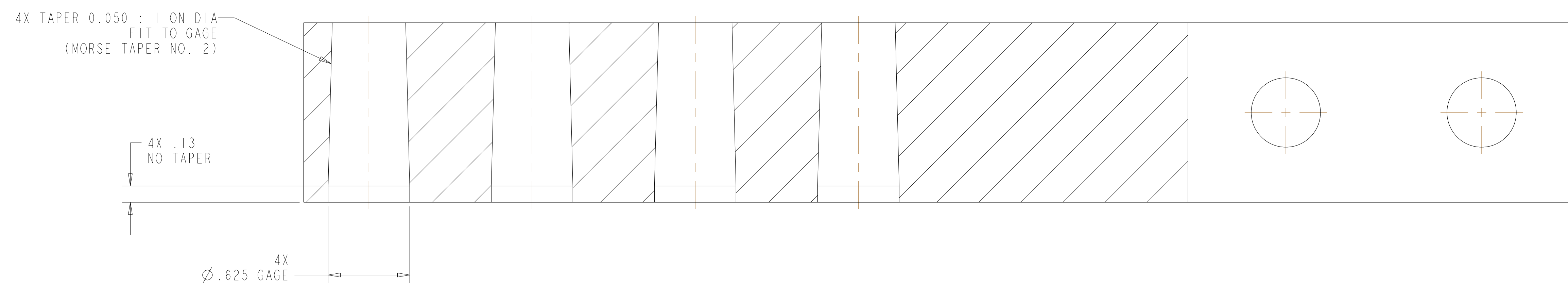
- NOTES:
1. INTERPRET DIMENSIONS AND TOLERANCES PER ANSI Y14.5M
 2. DIMENSIONS ARE IN INCHES
 3. DIMENSIONS APPLY AT ROOM TEMPERATURE. OPERATING TEMP 80 K.
 4. GEOMETRY IS DEFINED IN PRO ENGINEER CAD MODELS/FILES SE1406-057.PRT
 5. DRAWING AND MODELS COMBINED DEFINE FINISHED MACHINED PART.



SCALE 1 : 1



ISOMETRIC VIEW
SCALE 1 : 1



SECTION A-A
SCALE 2.00

RELEASED FOR FABRICATION / INSTALLATION
PPPL Drafting:

next assy	AR	-1	TERMINAL LUG OUT	COPPER	UNS C10200	I
	SE1406-057	CAGE CODE	PART OR IDENTIFYING NO	NOMENCLATURE OR DESCRIPTION	MATERIAL	SPECIFICATION
			NEXT ASSEMBLY	PARTS LIST		FIND NO

NO REPRESENTATION OR WARRANTY, EXPRESSED OR IMPLIED, IS MADE AS TO THE ACCURACY, COMPLETENESS OR USEFULNESS OF THE INFORMATION OR STATEMENTS CONTAINED IN THESE DRAWINGS, OR THAT THE USE OR DISCLOSURE OF ANY INFORMATION, APPARATUS, METHOD OR PROCESS DISCLOSED IN THESE DRAWINGS MAY NOT INFRINGE PRIVATE RIGHTS OF OTHERS. NO LIABILITY IS ASSUMED WITH RESPECT TO THE USE OF, OR FOR DAMAGES RESULTING FROM THE USE OF, ANY INFORMATION, APPARATUS, METHOD OR PROCESS DISCLOSED IN THESE DRAWINGS. DRAWINGS MADE AVAILABLE FOR INFORMATION TO BIDDER ARE NOT TO BE USED FOR OTHER PURPOSES, AND ARE TO BE RETURNED UPON REQUEST OF THE FORWARDING CONTRACTOR.

P THIS DRAWING PRODUCED ON PRO-ENGINEER

REV	DESCRIPTION	BY	DATE	CHK	DEPT	DATE	PE	REQ	DATE	ORNL	DOE	DATE
SCALE NOTED: TOLERANCES UNLESS OTHERWISE SPECIFIED: FRACTIONS : XX DECIMALS ± .01, XXX DECIMALS ± .005, ANGLES ± 0°15', BREAK SHARP EDGES .06 MAX, FINISH .125 UNLESS OTHERWISE SPECIFIED.												
DES: PJ FOGARTY 8-13-04				DRW: G LOVETT 8-13-04				CHK: M COLE 8-13-04				
SECT: :				DEPT: :				PE: D WILLIAMSON 8-13-04				
CR: :				PJ: :				REG: :				
PPPL DRFT: J STEGEL 11/04				VERSION NO.: 5				PLANT: X-10				
DRAWING APPROVALS: DATE:				RELEASE LEVEL: Fabrication				BLDG: 5700, FL: 3, SHT: 1 OF 1, TYPE: U, CLASS: U				
								PROJECT NAME: NATIONAL COMPACT STELLARATOR EXPERIMENT				
								TERMINAL LUG IN				
								SE1406-057				

H G F E D C B A

SE1406-057