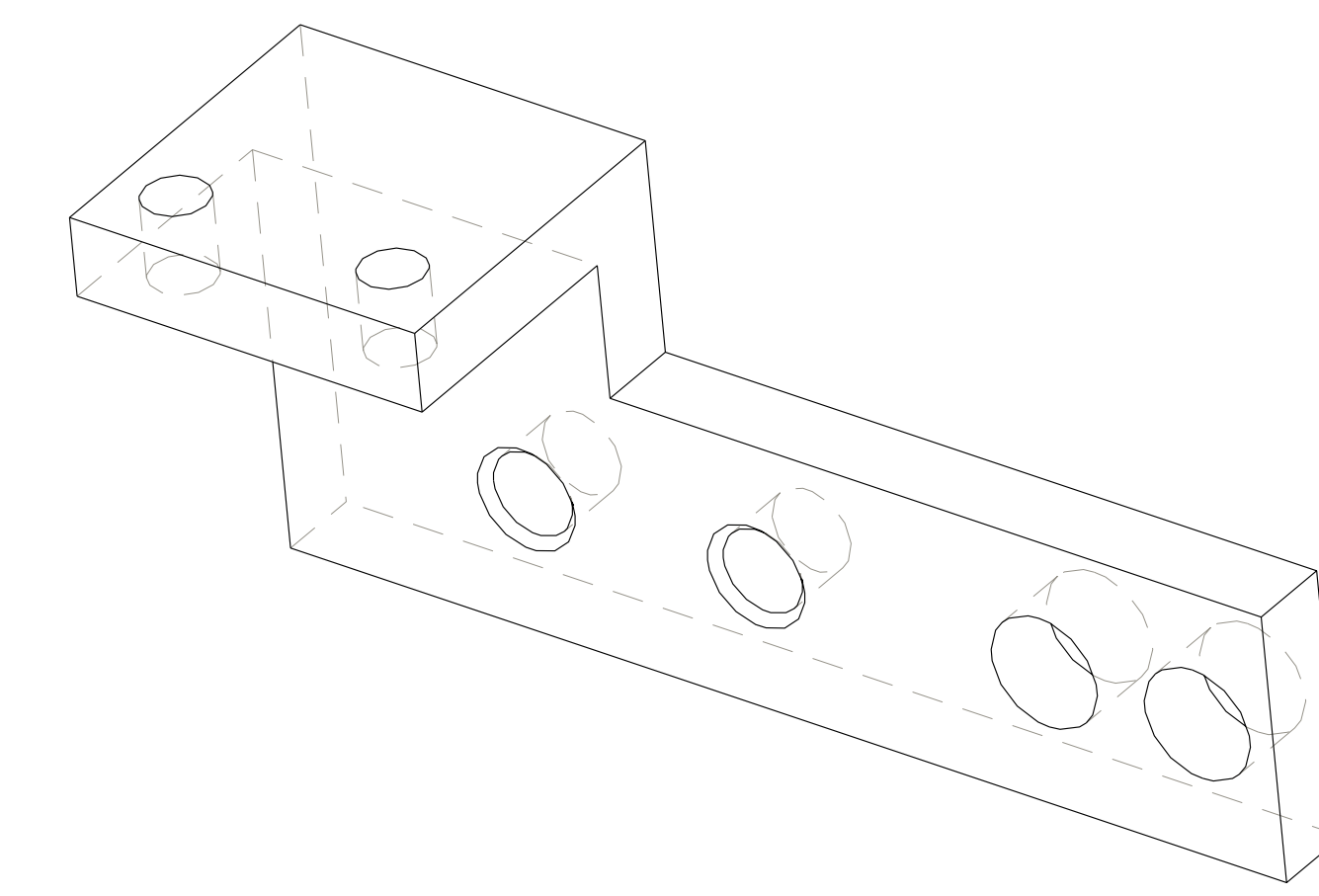
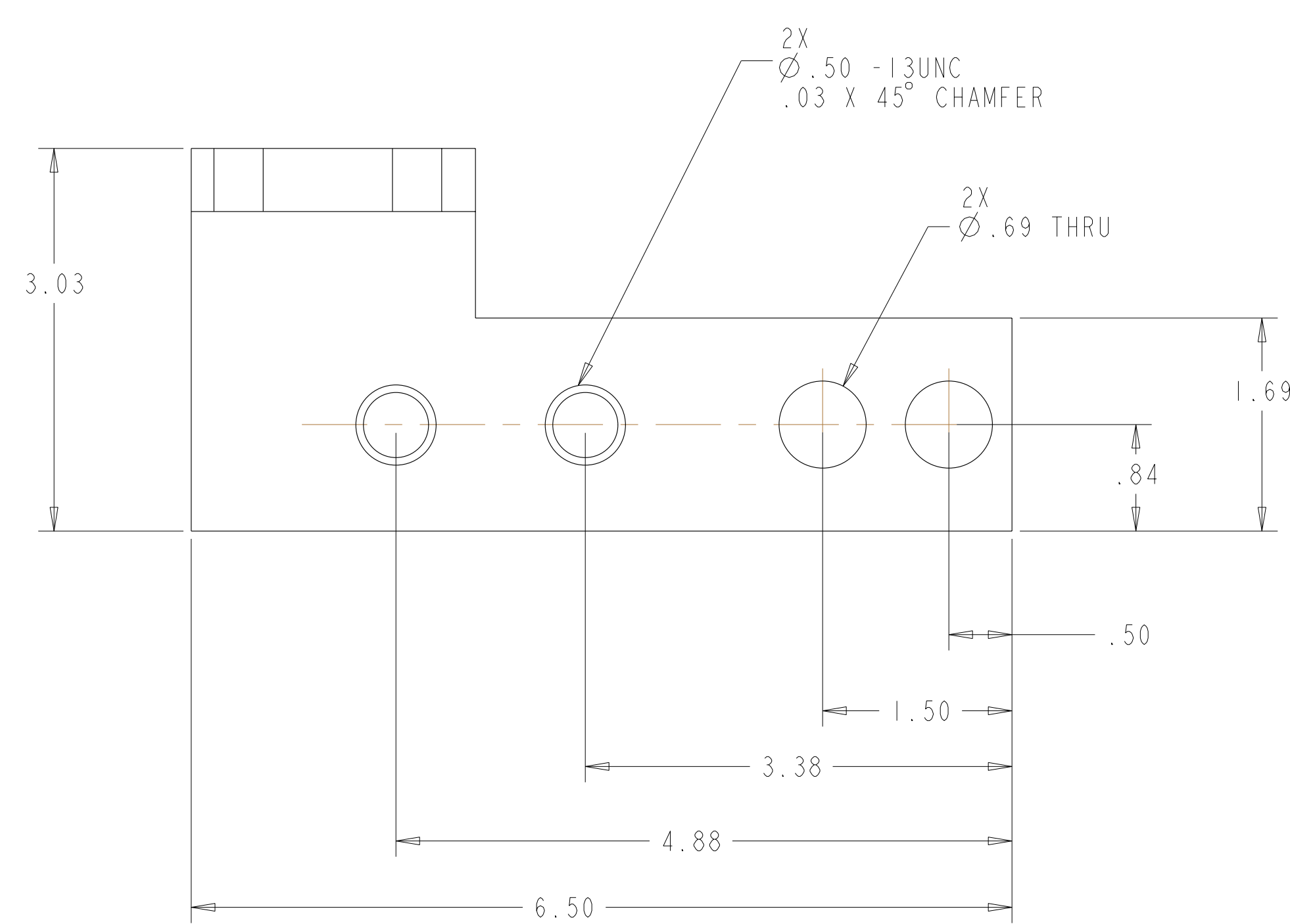
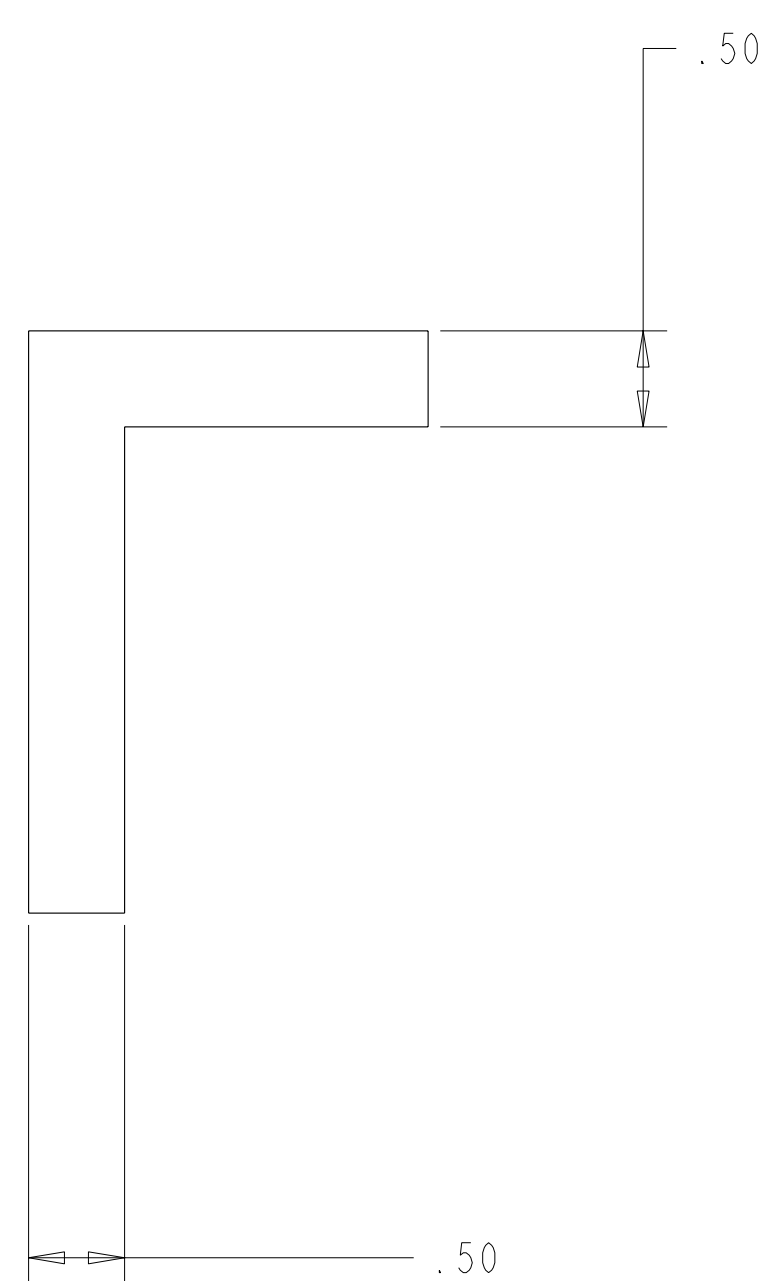
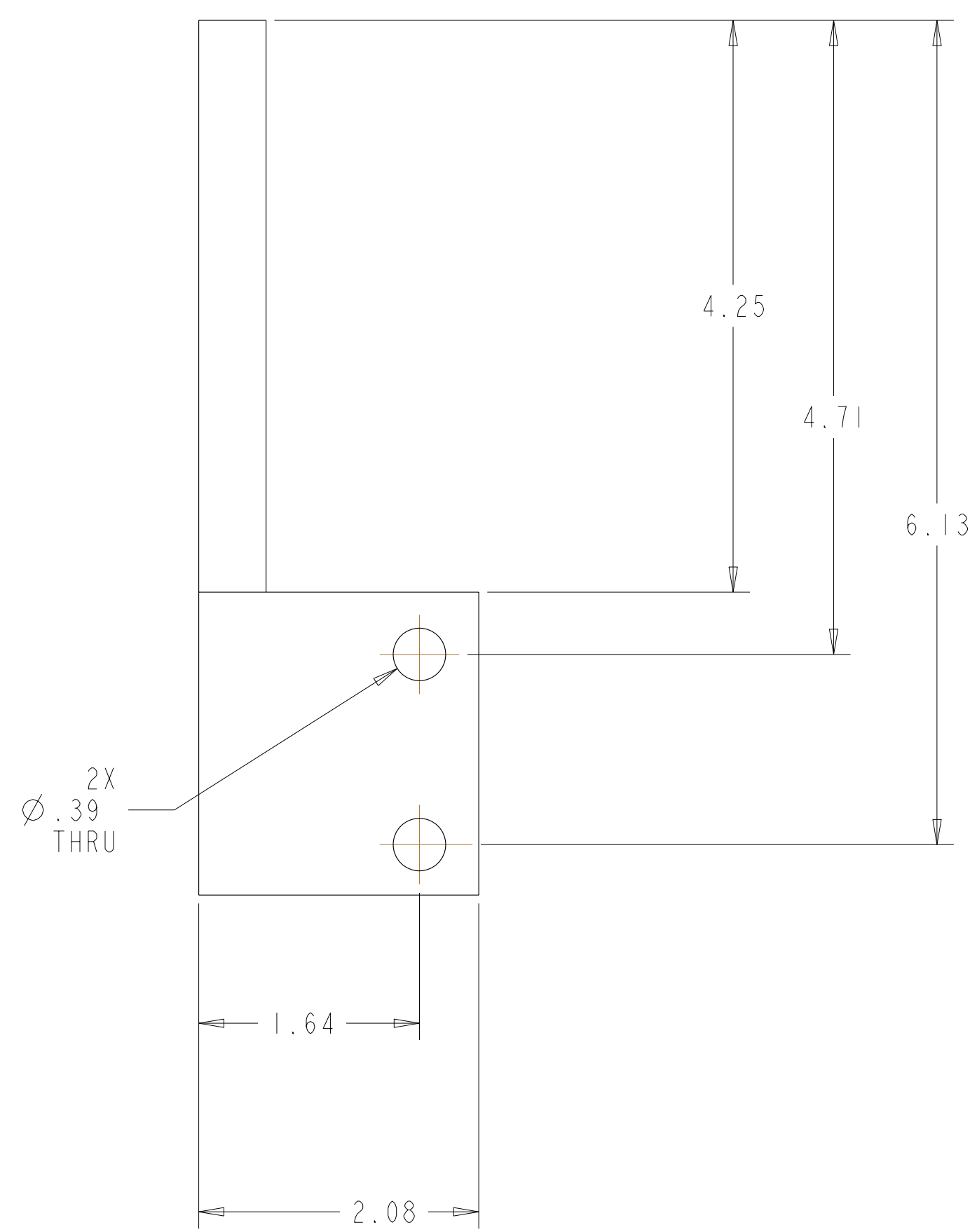


- NOTES:
1. INTERPRET DIMENSIONS AND TOLERANCES PER ANSI Y14.5M
 2. DIMENSIONS ARE IN INCHES
 3. DIMENSIONS APPLY AT ROOM TEMPERATURE. OPERATING TEMP 80 K.
 4. GEOMETRY IS DEFINED IN PRO ENGINEER CAD MODELS/FILES SE1406-059.PRT
 5. DRAWING AND MODELS COMBINED DEFINE FINISHED MACHINED PART.



ISOMETRIC VIEW

RELEASED FOR FABRICATION / INSTALLATION
PPPL Drafting:

next assy	AR	-1	CONNECTOR PLATE	COPPER	UNS C10200	I
SE1406-010	CAGE CODE	PART OR IDENTIFYING NO	NOMENCLATURE OR DESCRIPTION	MATERIAL	SPECIFICATION	FIND NO
		NEXT ASSEMBLY	PARTS LIST			

<p>NO REPRESENTATION OR WARRANTY, EXPRESSED OR IMPLIED, IS MADE AS TO THE ACCURACY, COMPLETENESS OR USEFULNESS OF THE INFORMATION OR STATEMENTS CONTAINED IN THESE DRAWINGS, OR THAT THE USE OR DISCLOSURE OF ANY INFORMATION, APPARATUS, METHOD OR PROCESS DISCLOSED IN THESE DRAWINGS MAY NOT INFRINGE PRIVATE RIGHTS OF OTHERS. NO LIABILITY IS ASSUMED WITH RESPECT TO THE USE OF, OR FOR DAMAGES RESULTING FROM THE USE OF, ANY INFORMATION, APPARATUS, METHOD OR PROCESS DISCLOSED IN THESE DRAWINGS. DRAWINGS MADE AVAILABLE FOR INFORMATION TO BIDDER ARE NOT TO BE USED FOR OTHER PURPOSES, AND ARE TO BE RETURNED UPON REQUEST OF THE FORWARDING CONTRACTOR.</p>										<p>P THIS DRAWING PRODUCED ON PRO-ENGINEER</p>																			
<p>SCALE 1:1</p> <p>TOLERANCES UNLESS OTHERWISE SPECIFIED</p> <p>FRACTIONS ±.01</p> <p>XX DECIMALS ±.01</p> <p>XXX DECIMALS ±.005</p> <p>ANGLES ±0°15'</p> <p>BREAK SHARP EDGES .06 MAX</p> <p>FINISH .125 UNLESS OTHERWISE SPECIFIED</p>										<p>DES: PJ FOGARTY 8-13-04</p> <p>DRW: G LOVETT 8-13-04</p> <p>CHK: G JONES 8-13-04</p> <p>SECT: :</p> <p>DEPT: :</p> <p>PE: D WILLIAMSON 8-13-04</p> <p>CR: :</p> <p>PJ: :</p> <p>REQ: :</p> <p>PPPL DRFT J. STEGEL 1-21-05</p>										<p>UT-BATTELLE Oak Ridge National Laboratory managed for the DEPARTMENT OF ENERGY under U.S. GOVERNMENT contract DE-AC05-00OR22725 UT-BATTELLE, LLC. Oak Ridge, Tennessee</p> <p>NATIONAL COMPACT STELLARATOR EXPERIMENT</p> <p>TERMINAL CONNECTOR PLATE</p>									
<p>REV DESCRIPTION BY DATE CHK DEPT DATE PE REQ DATE ORNL DOE DATE</p> <p>REVISION OR ISSUE PURPOSE REVISION APPROVAL</p>										<p>VERSION NO. 5+</p> <p>PLANT X-10</p> <p>BLDG 5700</p> <p>FL 3</p> <p>SHT OF 1</p> <p>TYPE I</p> <p>CLASS S</p> <p>RELEASE LEVEL Fabrication</p> <p>SE1406-059</p> <p>REV 0</p>																			

SE1406-059