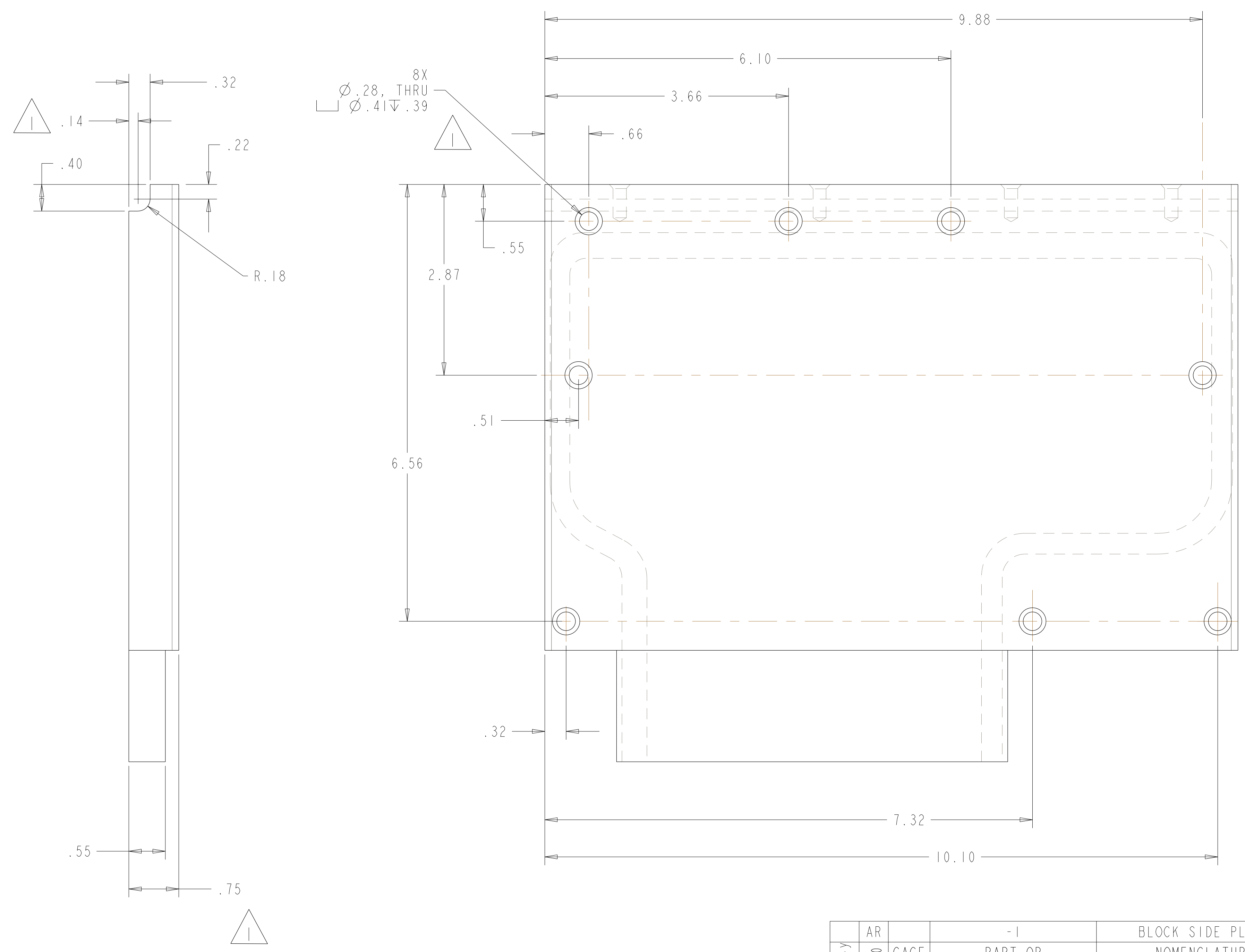
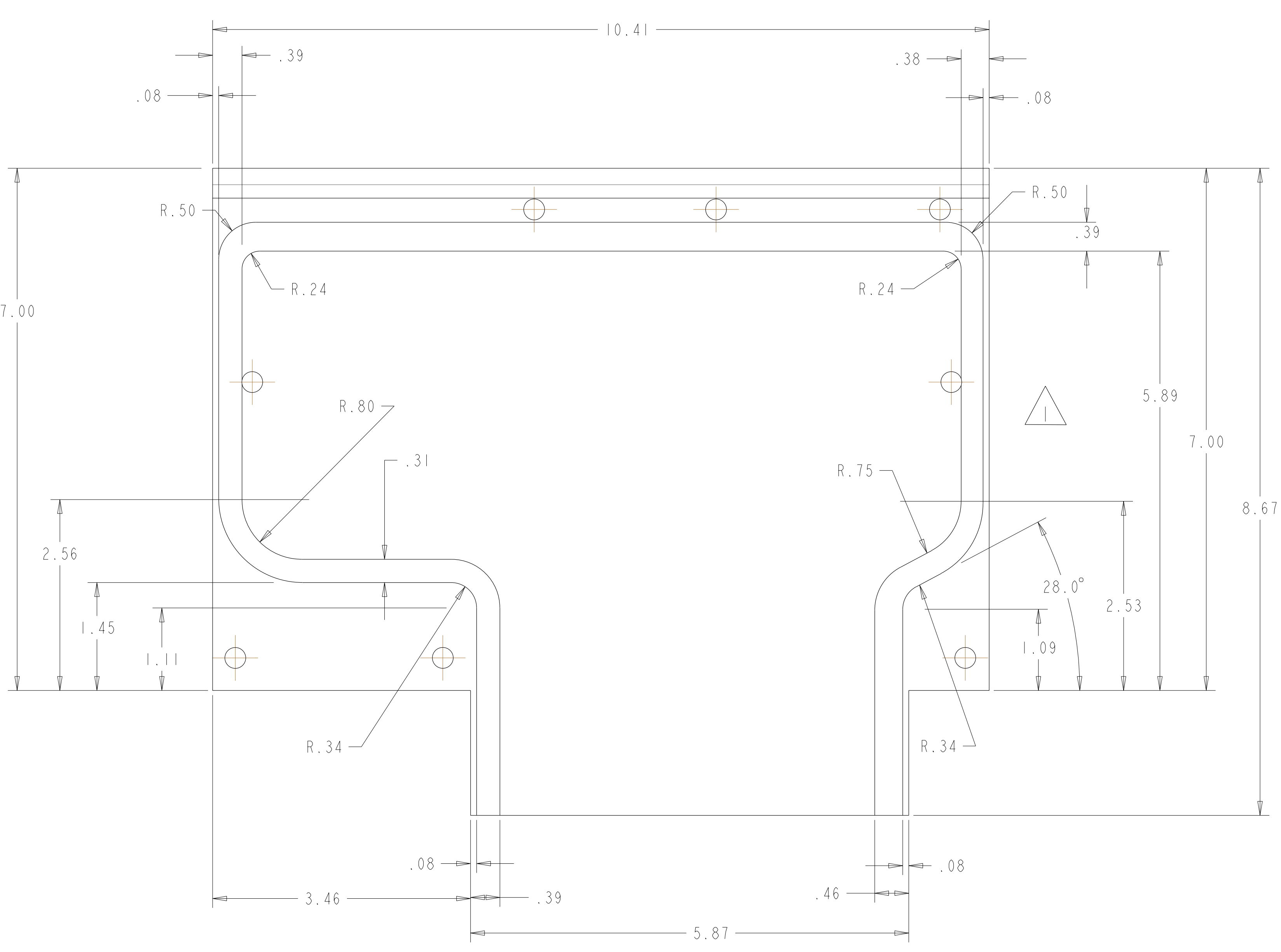
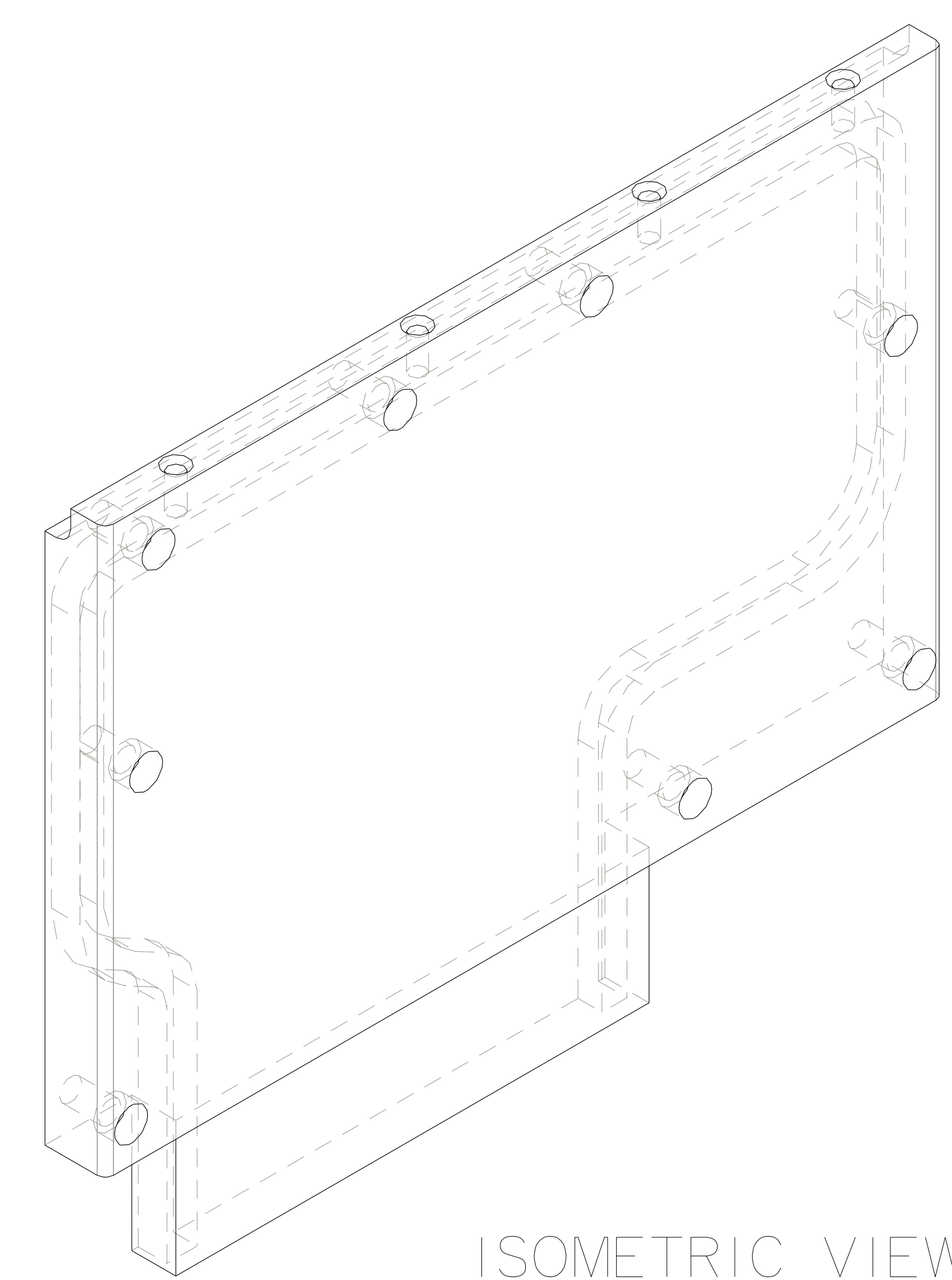
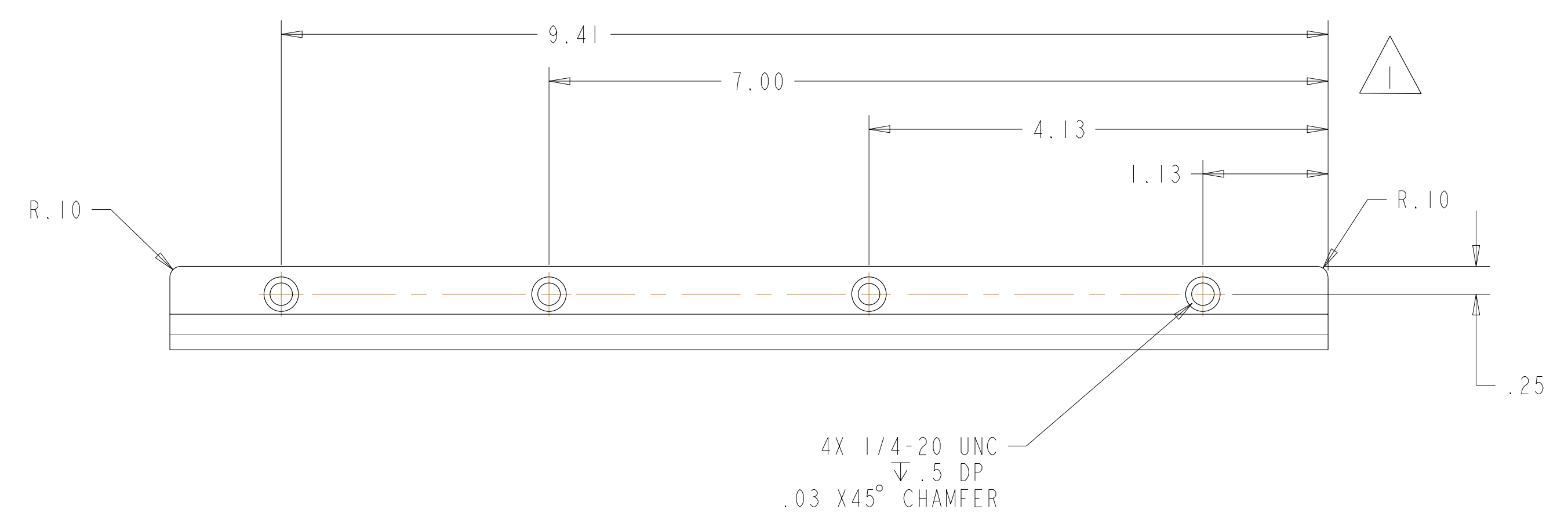


- NOTES:
1. INTERPRET DIMENSIONS AND TOLERANCES PER ANSI Y14.5M
  2. DIMENSIONS ARE IN INCHES
  3. DIMENSIONS APPLY AT ROOM TEMPERATURE. OPERATING TEMP 80 K.
  4. GEOMETRY IS DEFINED IN PRO ENGINEER CAD MODELS/FILES SE1406-116.PRT
  5. DRAWING AND MODELS COMBINED DEFINE FINISHED MACHINED PART.



**RELEASED FOR  
FABRICATION / INSTALLATION**  
 PPPL Drafting:

next assy	AR	CAGE CODE	-1 PART OR IDENTIFYING NO	BLOCK SIDE PLATE NOMENCLATURE OR DESCRIPTION	G11 MATERIAL	1 SPECIFICATION	1 FIND NO
SE1406-010	AR						
				NEXT ASSEMBLY			

PARTS LIST

NO REPRESENTATION OR WARRANTY, EXPRESSED OR IMPLIED, IS MADE AS TO THE ACCURACY, COMPLETENESS OR USEFULNESS OF THE INFORMATION OR STATEMENTS CONTAINED IN THESE DRAWINGS, OR THAT THE USE OR DISCLOSURE OF ANY INFORMATION, APPARATUS, METHOD OR PROCESS DISCLOSED IN THESE DRAWINGS MAY NOT INFRINGE PRIVATE RIGHTS OF OTHERS. NO LIABILITY IS ASSUMED WITH RESPECT TO THE USE OF, OR FOR DAMAGES RESULTING FROM THE USE OF, ANY INFORMATION, APPARATUS, METHOD OR PROCESS DISCLOSED IN THESE DRAWINGS. DRAWINGS MADE AVAILABLE FOR INFORMATION TO BIDDER ARE NOT TO BE USED FOR OTHER PURPOSES, AND ARE TO BE RETURNED UPON REQUEST OF THE FORWARDING CONTRACTOR.

**P** THIS DRAWING PRODUCED ON PRO-ENGINEER

REV	REVISION OR ISSUE PURPOSE	BY	DATE	CHK	DEPT	DATE	PE	REQ	DATE	ORNL	DOE	DATE
1	REVISE PART AND DRAWING PER ECN 4953	GLL	2-05									

SCALE 1:1	DES: PJ FOGARTY 8-2-04	<b>UT-BATTELLE</b> Oak Ridge National Laboratory managed for the DEPARTMENT OF ENERGY under U.S. GOVERNMENT contract DE-AC05-00OR22725 UT-BATTELLE, LLC, Oak Ridge, Tennessee PROJECT NAME NATIONAL COMPACT STELLARATOR EXPERIMENT TWISTED RACE TRACK COIL LEADS BLOCK SIDE PLATE DETAIL
TOLERANCES UNLESS OTHERWISE SPECIFIED	DRW: G LOVETT 8-2-04	
FRACTIONS XX DECIMALS ±.01	CHK: G JONES 8-3-04	
XXX DECIMALS ±.005	SECT: :	
ANGLES ±0°15'	DEPT: :	VERSION NO. 10
FINISH .125 UNLESS OTHERWISE SPECIFIED	PE: D WILLIAMSON 8-3-04	PLANT X-10
	CR: :	BLDG 5700
	PJ: :	FL 3
	REQ: :	SHT 1
	PPPL DRFT: J STIEGLE 8-04	TYPE I
		CLASS U
		RELEASE LEVEL Fabrication
		SE1406-116

H  
G  
F  
E  
D  
C  
B  
A