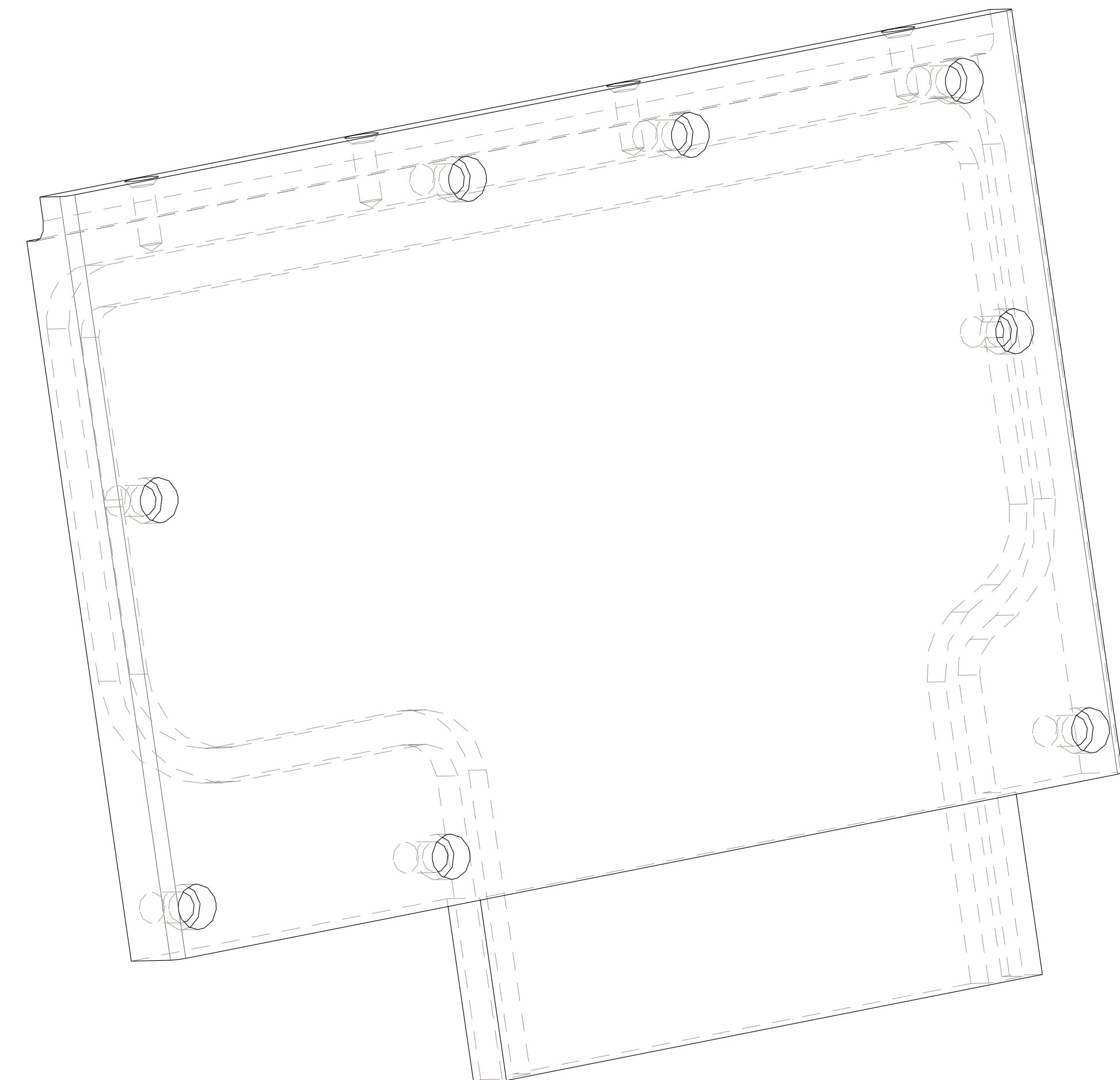
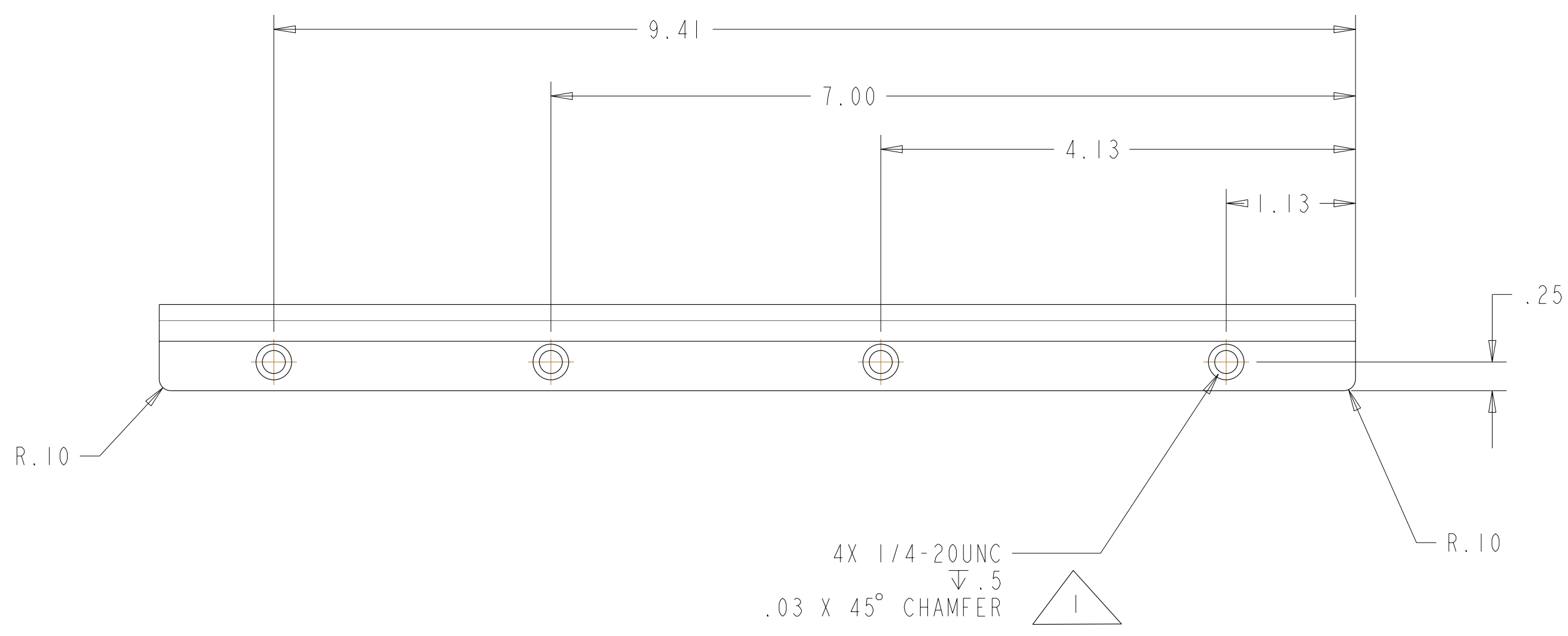
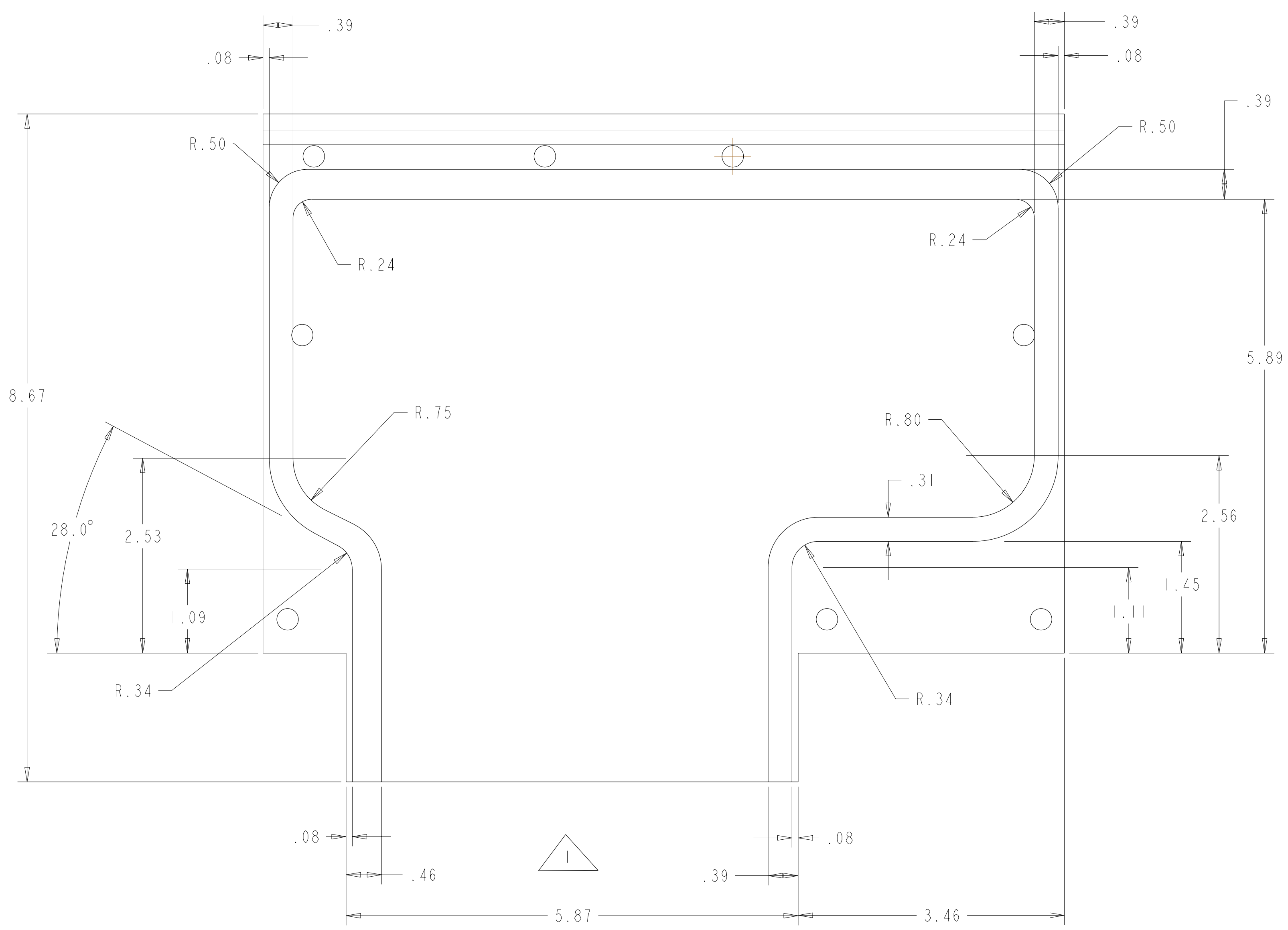
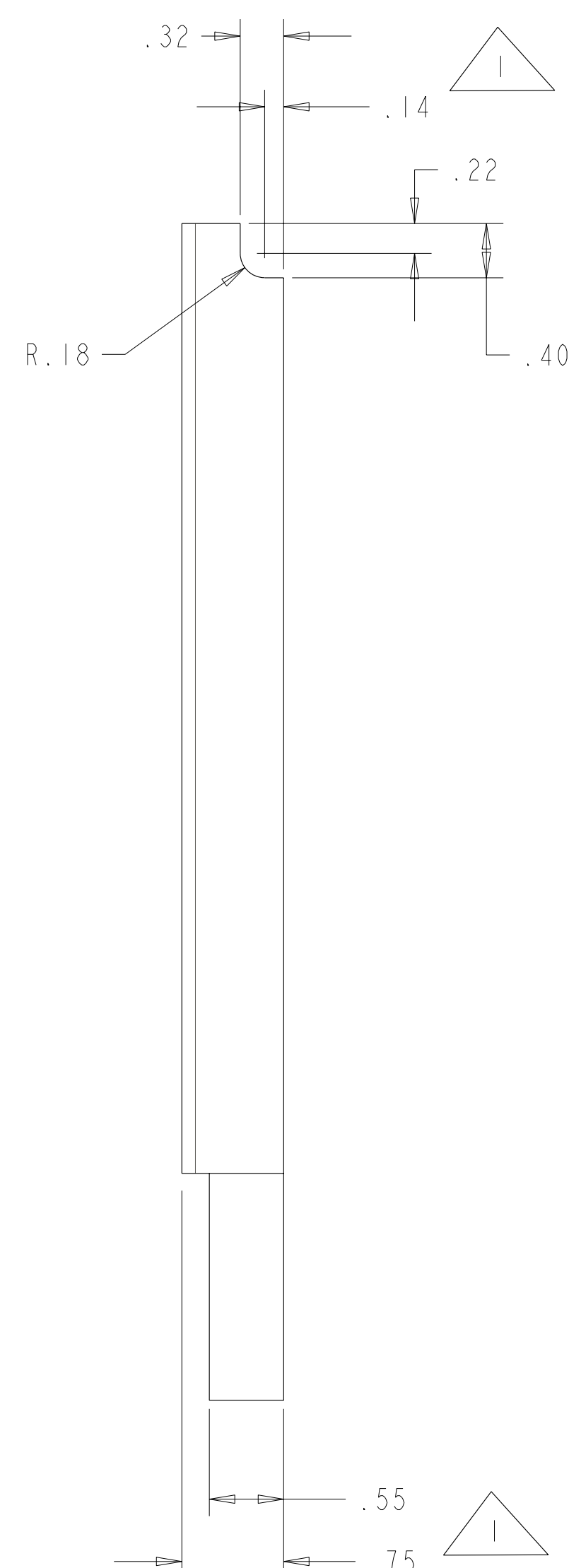
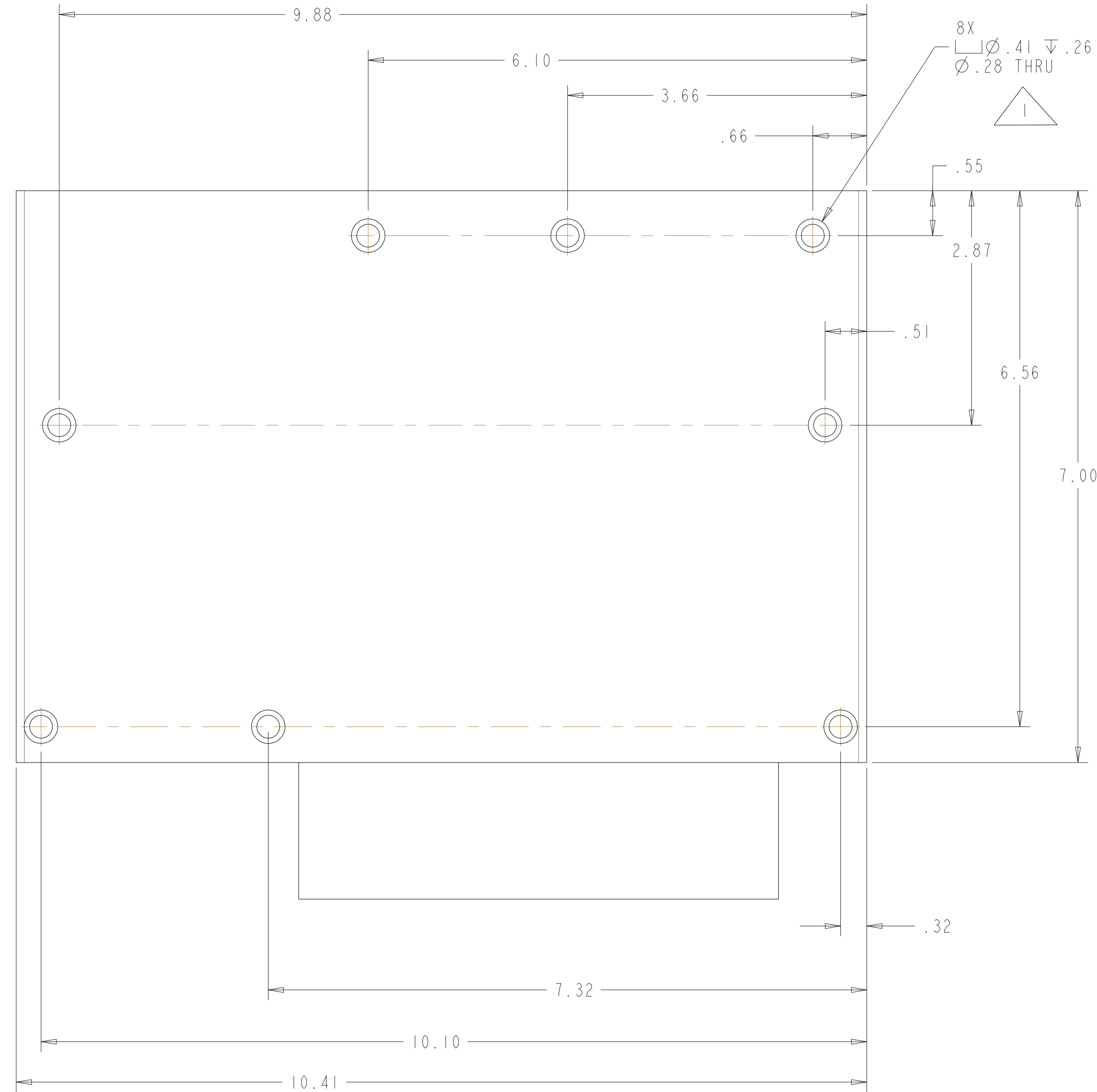


- NOTES:
1. INTERPRET DIMENSIONS AND TOLERANCES PER ANSI Y14.5M
2. DIMENSIONS ARE IN INCHES
3. DIMENSIONS APPLY AT ROOM TEMPERATURE. OPERATING TEMP 80 K.
4. GEOMETRY IS DEFINED IN PRO ENGINEER CAD MODELS/FILES SE1406-121.PRT
5. DRAWING AND MODELS COMBINED DEFINE FINISHED MACHINED PART.



ISOMETRIC VIEW



RELEASED FOR FABRICATION / INSTALLATION
PPPL Drafting:

next assy	AR	-1	BLOCK SIDE PLATE	G11		
CAGE CODE	PART OR IDENTIFYING NO	NOMENCLATURE OR DESCRIPTION	MATERIAL	SPECIFICATION	FIND NO	
SE1406-010		NEXT ASSEMBLY		PARTS LIST		

NO REPRESENTATION OR WARRANTY, EXPRESSED OR IMPLIED, IS MADE AS TO THE ACCURACY, COMPLETENESS OR USEFULNESS OF THE INFORMATION OR STATEMENTS CONTAINED IN THESE DRAWINGS, OR THAT THE USE OR DISCLOSURE OF ANY INFORMATION, APPARATUS, METHOD OR PROCESS DISCLOSED IN THESE DRAWINGS MAY NOT INFRINGE PRIVATE RIGHTS OF OTHERS. NO LIABILITY IS ASSUMED WITH RESPECT TO THE USE OF, OR FOR DAMAGES RESULTING FROM THE USE OF, ANY INFORMATION, APPARATUS, METHOD OR PROCESS DISCLOSED IN THESE DRAWINGS. DRAWINGS MADE AVAILABLE FOR INFORMATION TO BIDDER ARE NOT TO BE USED FOR OTHER PURPOSES, AND ARE TO BE RETURNED UPON REQUEST OF THE FORWARDING CONTRACTOR.

P THIS DRAWING PRODUCED ON PRO-ENGINEER

SCALE 1:1		DES: PJ FOGARTY 8-2-04	UT-BATTELLE				Oak Ridge National Laboratory managed for the DEPARTMENT OF ENERGY under U.S. GOVERNMENT contract DE-AC05-00OR22725 UT-BATTELLE, LLC, Oak Ridge, Tennessee			
TOLERANCES UNLESS OTHERWISE SPECIFIED		DRW: G LOVETT 8-2-04	NATIONAL COMPACT STELLARATOR EXPERIMENT				PROJECT NAME			
FRACTIONS : DEPT: :		CHK: G JONES 8-3-04	TWISTED RACE TRACK COIL LEADS				DETAIL			
XX DECIMALS ±.01		PE: D WILLIAMSON 8-3-04	VERSION NO. 5				PLANT X-10			
XXX DECIMALS ±.005		CR: :	BLDG 5700				FL 3			
ANGLES ±0°15'		PJ: :	SHT 1				TYPE I			
BREAK SHARP EDGES .06 MAX		REQ: :	REV 1				CLASS U			
FINISH .125 UNLESS OTHERWISE SPECIFIED		PPPL DRFT J STIEGLE 8-04	RELEASE LEVEL Fabrication				REV 1			
REVISION OR ISSUE PURPOSE		DRAWING APPROVALS		DATE		SE1406-121				