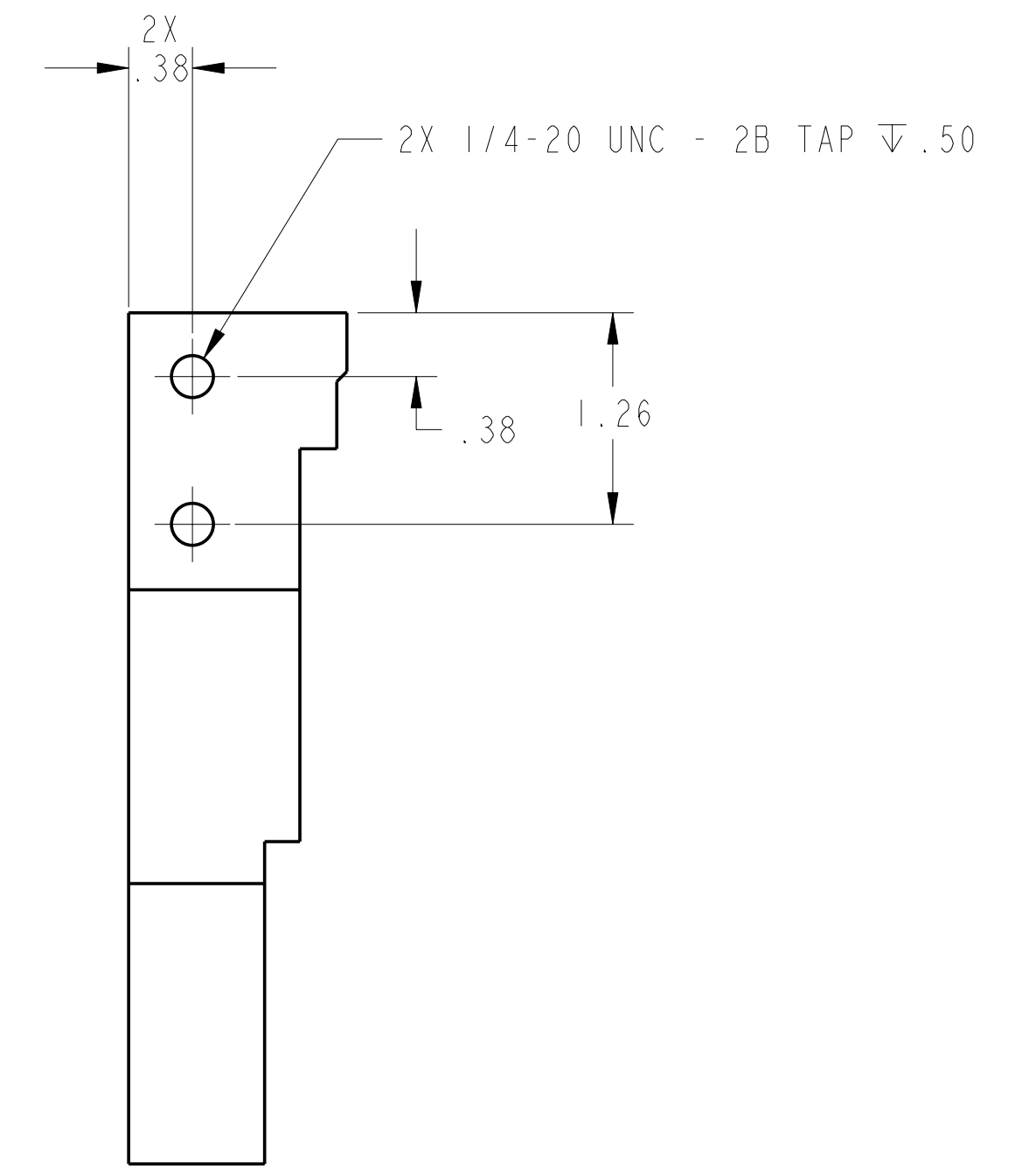
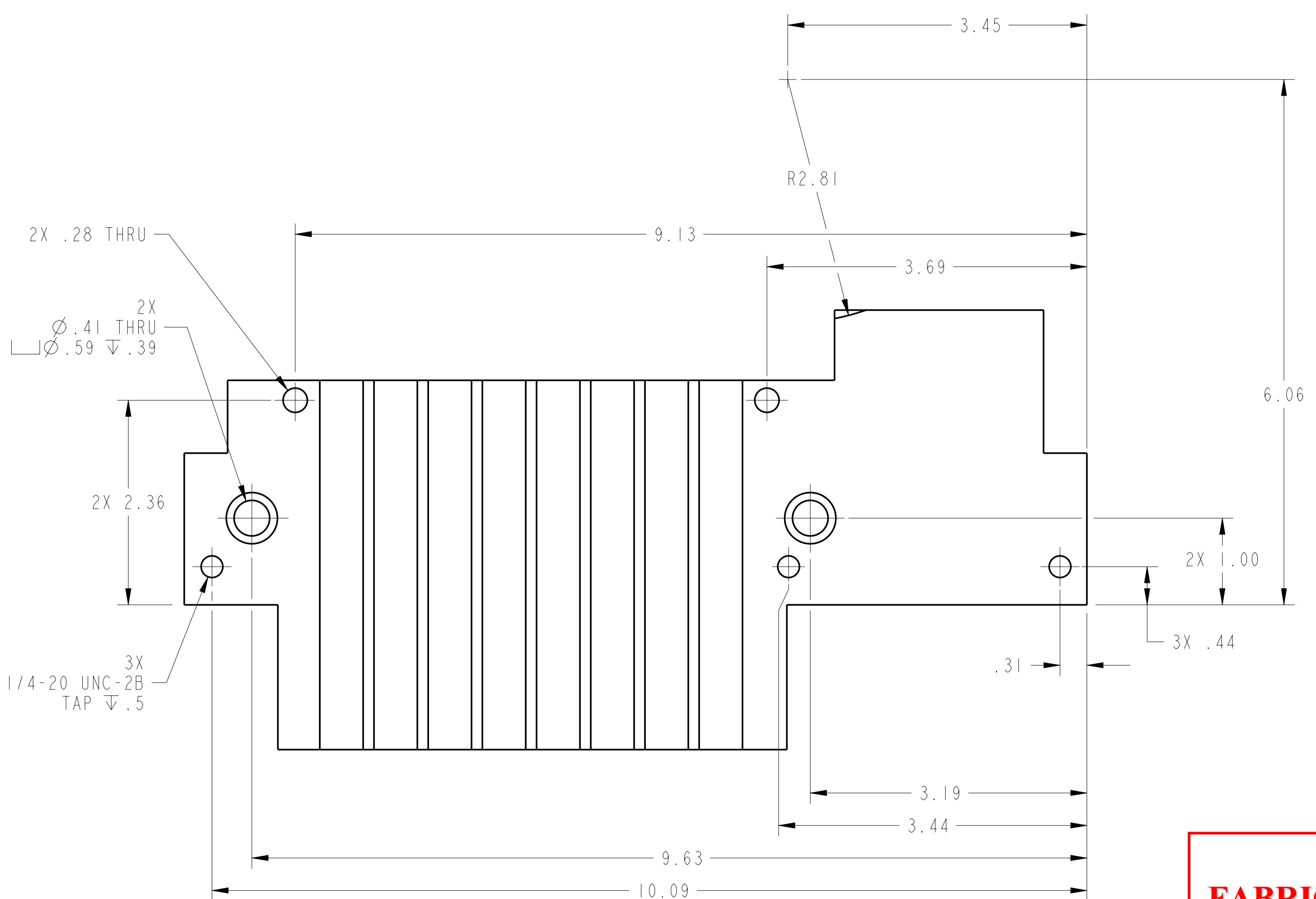
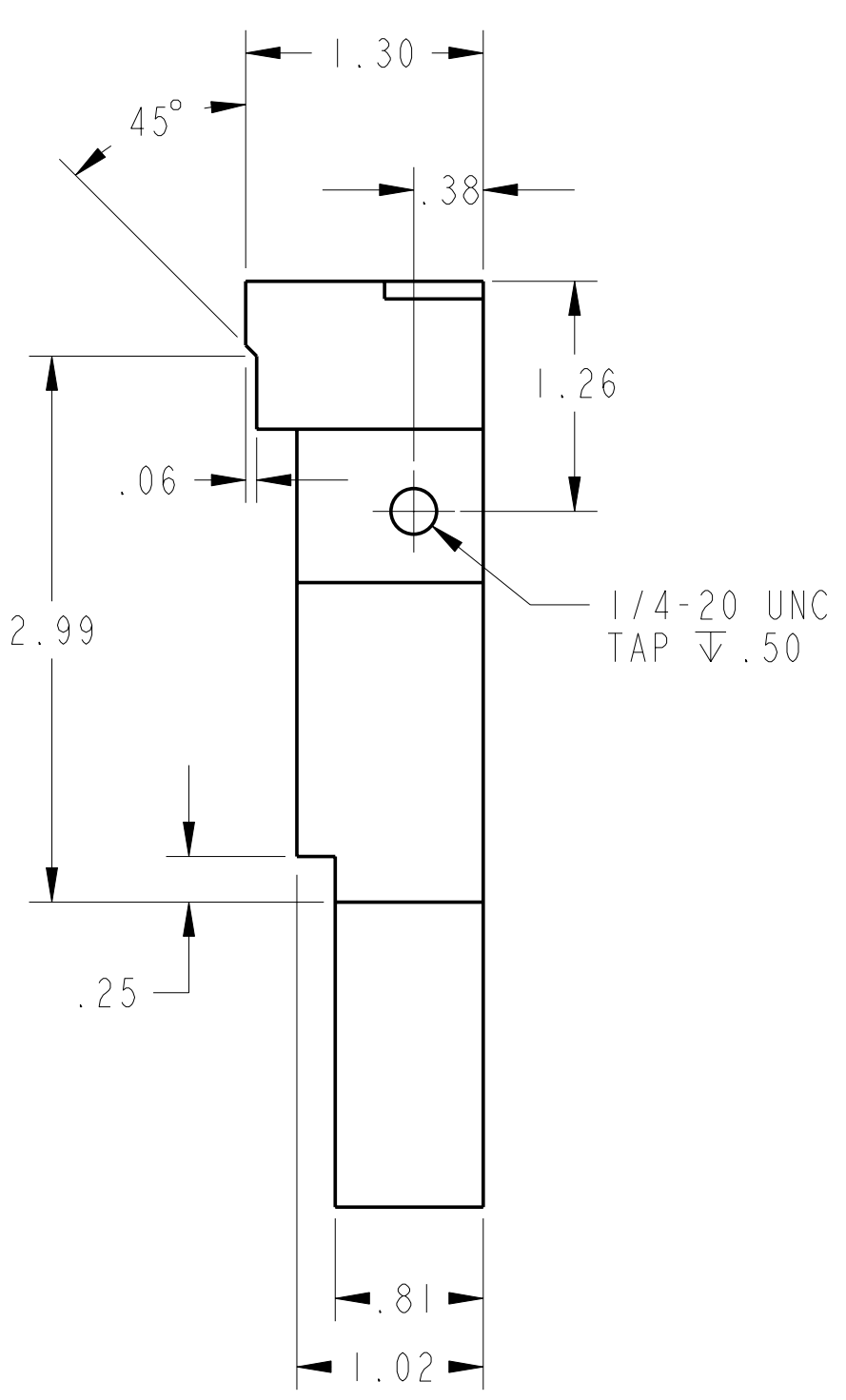
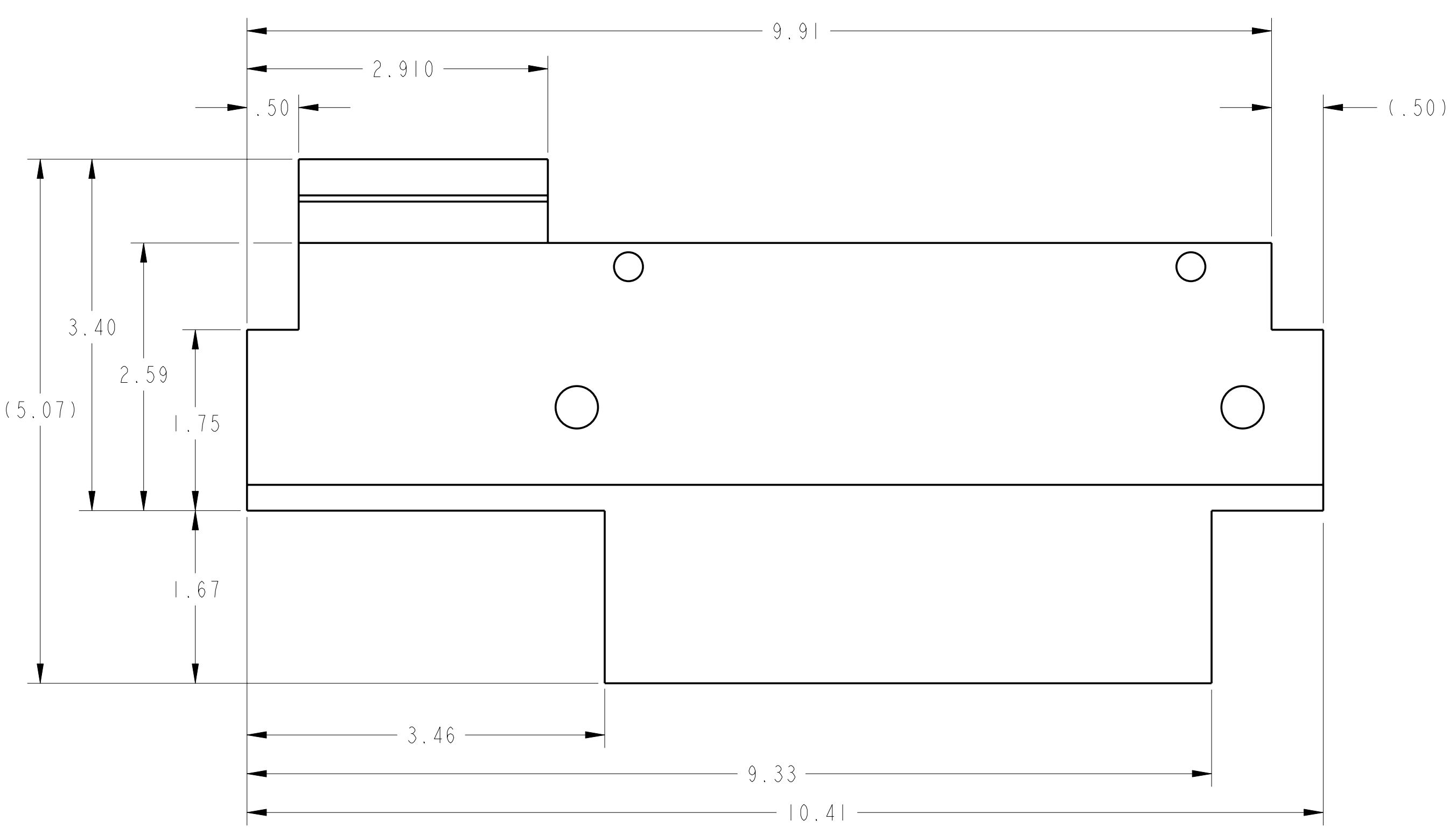
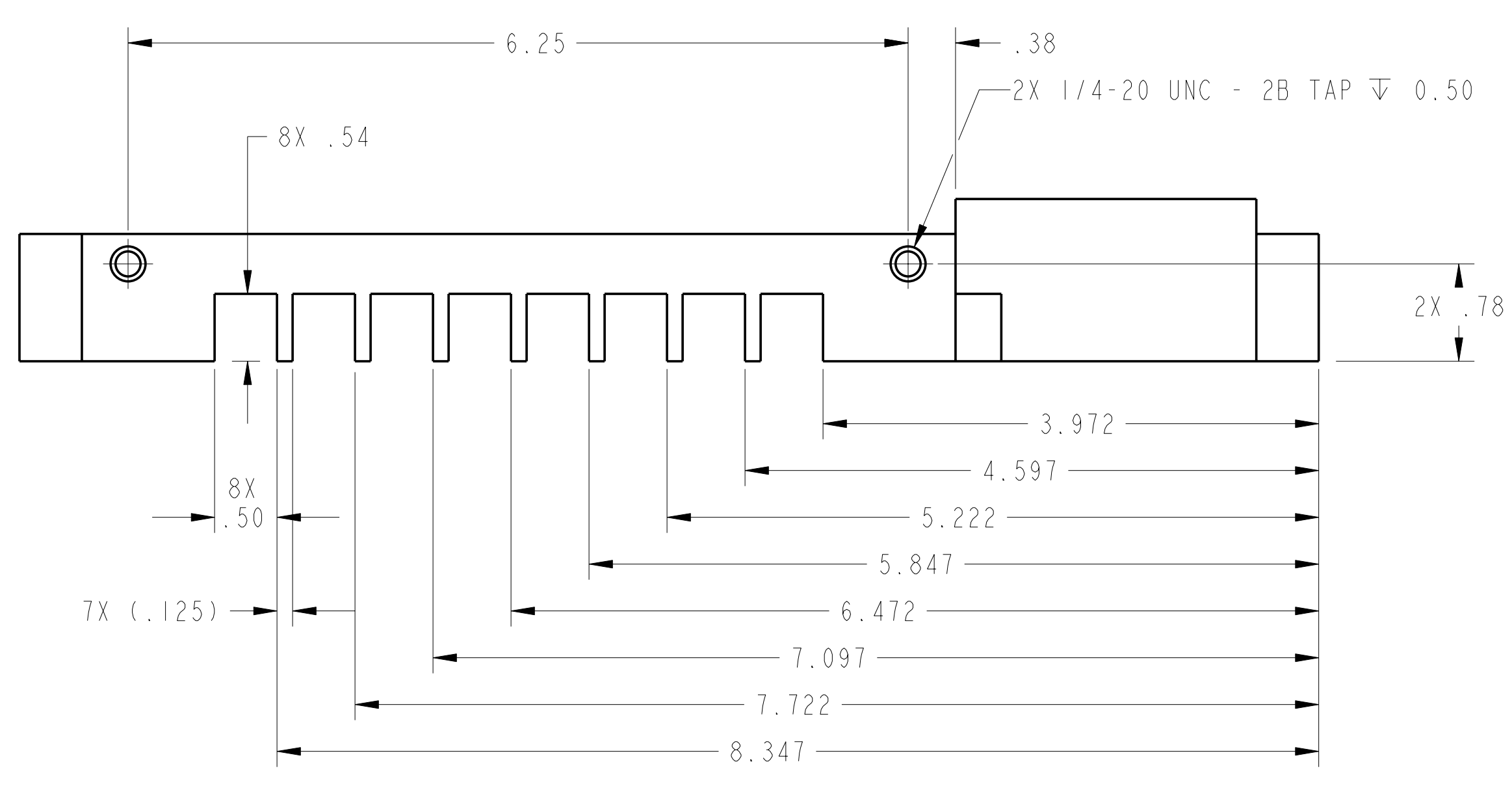
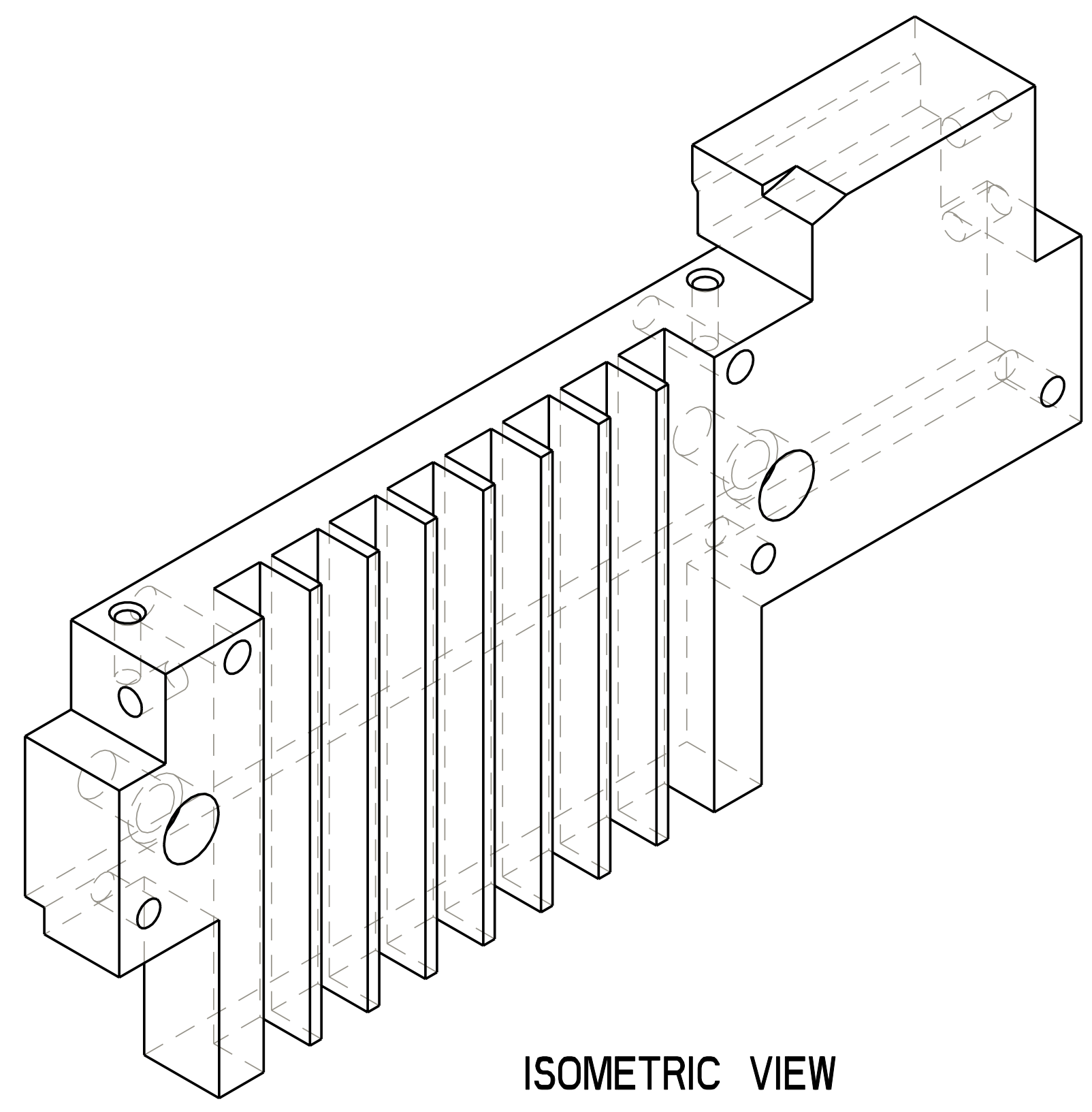


- NOTES:
1. INTERPRET DIMENSIONS AND TOLERANCES PER ANSI Y14.5M
 2. DIMENSIONS ARE IN INCHES
 3. DIMENSIONS APPLY AT ROOM TEMPERATURE. OPERATING TEMP 80 K.
 4. GEOMETRY IS DEFINED IN PRO ENGINEER CAD MODELS/FILES SEI406-134.PRT
 5. DRAWING AND MODELS COMBINED DEFINE FINISHED MACHINED PART.
 6. TOLERANCE X.XXX DIMENSIONS +/- .010



RELEASED FOR FABRICATION / INSTALLATION
 PPPL Drafting:

1 LOWER "A" FILL BLOCK

next assy	1	-1	LOWER "A" FILL BLOCK	G10		
SEI406-010	CAGE CODE	PART OR IDENTIFYING NO	NOMENCLATURE OR DESCRIPTION	MATERIAL	SPECIFICATION	FIND NO
		NEXT ASSEMBLY	PARTS LIST			

NO REPRESENTATION OR WARRANTY, EXPRESSED OR IMPLIED, IS MADE AS TO THE ACCURACY, COMPLETENESS OR USEFULNESS OF THE INFORMATION OR STATEMENTS CONTAINED IN THESE DRAWINGS, OR THAT THE USE OR DISCLOSURE OF ANY INFORMATION, APPARATUS, METHOD OR PROCESS DISCLOSED IN THESE DRAWINGS MAY NOT INFRINGE PRIVATE RIGHTS OF OTHERS. NO LIABILITY IS ASSUMED WITH RESPECT TO THE USE OF, OR FOR DAMAGES RESULTING FROM THE USE OF, ANY INFORMATION, APPARATUS, METHOD OR PROCESS DISCLOSED IN THESE DRAWINGS. DRAWINGS MADE AVAILABLE FOR INFORMATION TO BIDDER ARE NOT TO BE USED FOR OTHER PURPOSES, AND ARE TO BE RETURNED UPON REQUEST OF THE FORWARDING CONTRACTOR.

P THIS DRAWING PRODUCED ON PRO-ENGINEER

SCALE 1:1		DES: PJ FOGARTY 10/11/04	Oak Ridge National Laboratory managed for the DEPARTMENT OF ENERGY under U.S. GOVERNMENT contract DE-AC05-00OR22725 UT-BATTELLE, LLC. Oak Ridge, Tennessee						
TOLERANCES UNLESS OTHERWISE SPECIFIED		DRW: T HARGROVE 10/12/04	UT-BATTELLE NATIONAL COMPACT STELLARATOR EXPERIMENT						
FRACTIONS ±.01		CHK: M COLE 10/14/04							
XX DECIMALS ±.005		DEPT: :	TRC FILL BLOCK LOWER "A"						
XXX DECIMALS ±0.15		PE: D WILLIAMSON 10/14/04							
ANGLES ±0.15°		CR: :	PPPL DRFT J SIEGEL 10/14/04						
BREAK SHARP EDGES 06 MAX		PJ: :							
FINISH .125 UNLESS OTHERWISE SPECIFIED		RD: :	VERSION NO. 15	PLANT X-10	BLDG 5700	FL 3	SHT OF 1	TYPE I	CLASS U
REVISION		PPPL DRFT J SIEGEL 10/14/04	RELEASE LEVEL Fabrication	SEI406-134			REV 0		
REVISION OR ISSUE PURPOSE		PPPL DRFT J SIEGEL 10/14/04							
BY DATE CHK DEPT DATE PE REG DATE DRNL DOE DATE		DRAWING APPROVALS DATE							