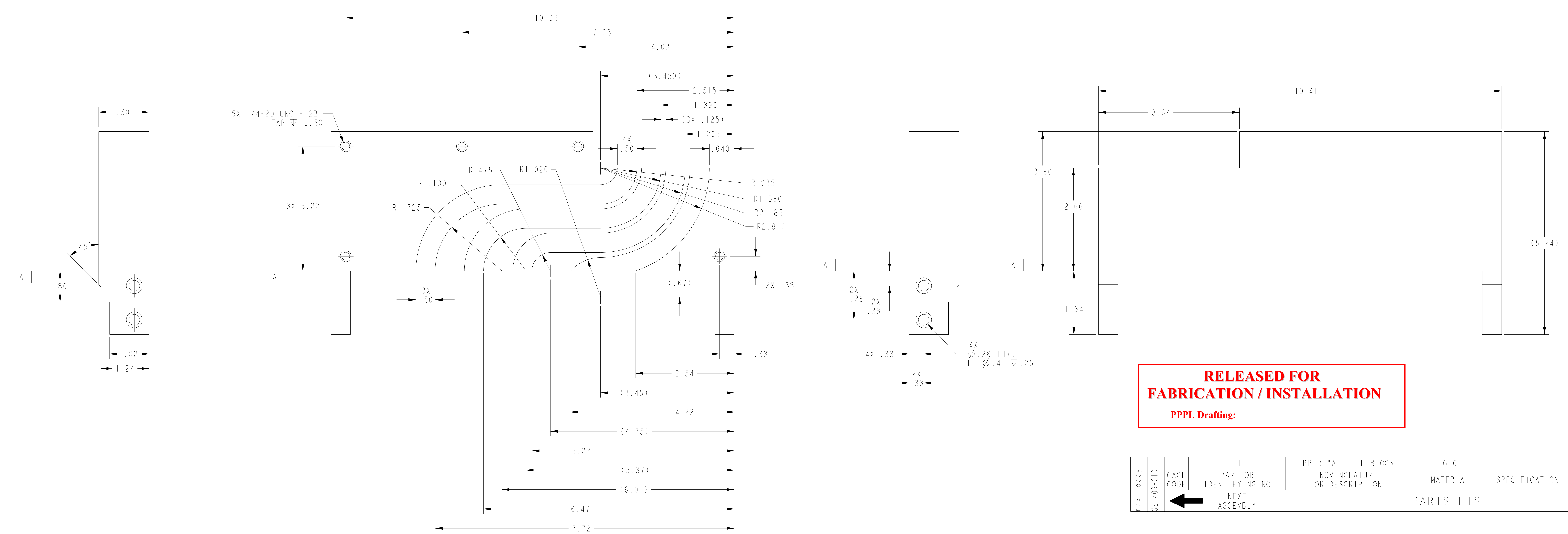
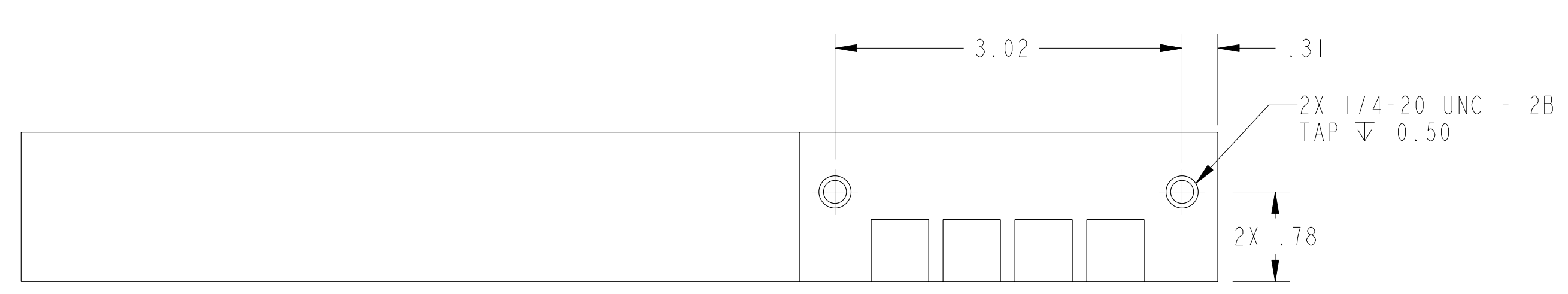
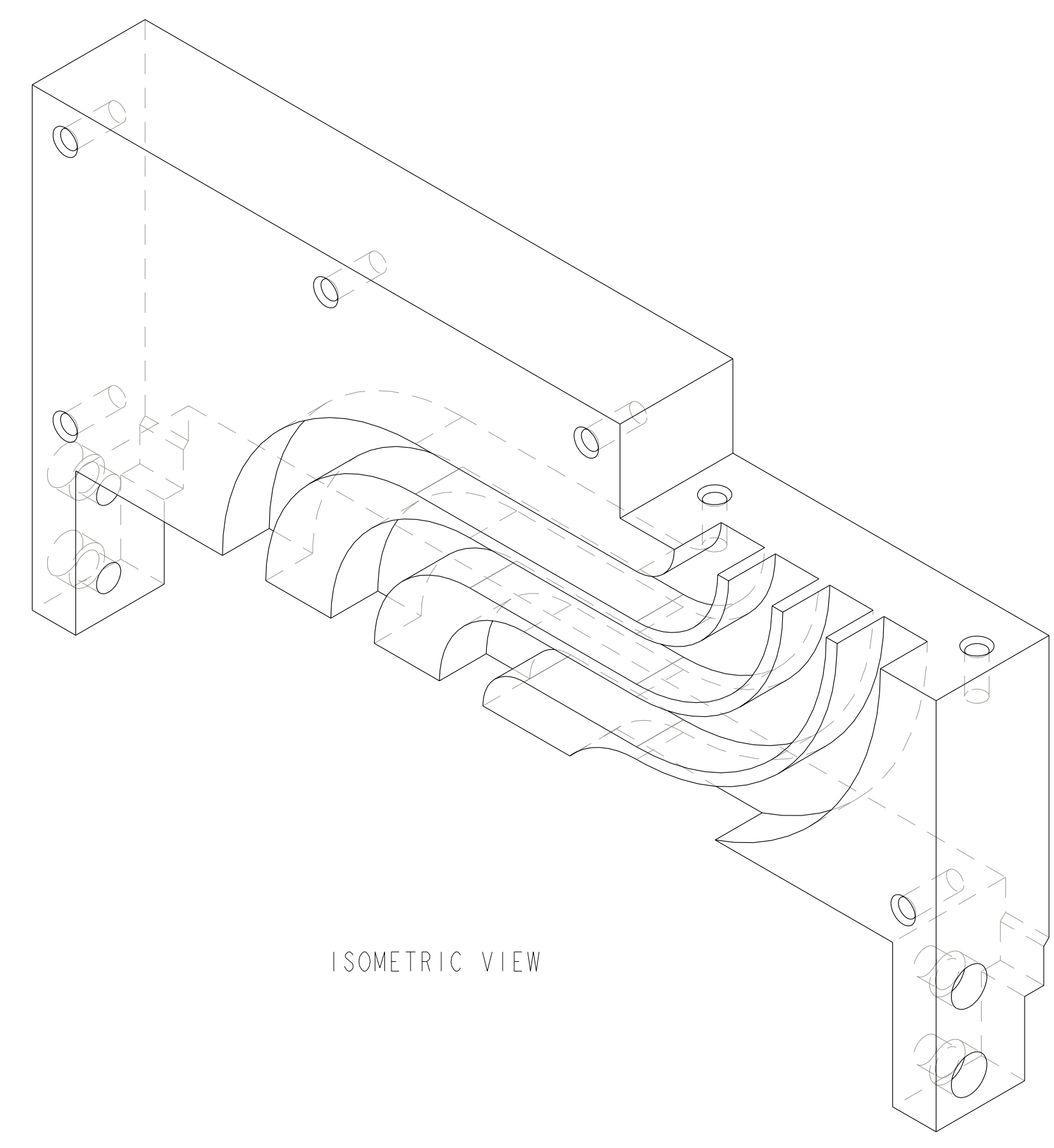


- NOTES:
1. INTERPRET DIMENSIONS AND TOLERANCES PER ANSI Y14.5M
 2. DIMENSIONS ARE IN INCHES
 3. DIMENSIONS APPLY AT ROOM TEMPERATURE. OPERATING TEMP 80 K.
 4. GEOMETRY IS DEFINED IN PRO ENGINEER CAD MODELS/FILES SE1406-136.PRT
 5. DRAWING AND MODELS COMBINED DEFINE FINISHED MACHINED PART.
 6. TOLERANCE X.XXX DIMENSIONS +/- .010



RELEASED FOR FABRICATION / INSTALLATION
 PPPL Drafting:

next assy	1	-1	UPPER "A" FILL BLOCK	G10		
SE1406-010	CAGE CODE	PART OR IDENTIFYING NO	NOMENCLATURE OR DESCRIPTION	MATERIAL	SPECIFICATION	FIND NO
			NEXT ASSEMBLY	PARTS LIST		

① UPPER "A" FILL BLOCK

NO REPRESENTATION OR WARRANTY, EXPRESSED OR IMPLIED, IS MADE AS TO THE ACCURACY, COMPLETENESS OR USEFULNESS OF THE INFORMATION OR STATEMENTS CONTAINED IN THESE DRAWINGS, OR THAT THE USE OR DISCLOSURE OF ANY INFORMATION, APPARATUS, METHOD OR PROCESS DISCLOSED IN THESE DRAWINGS MAY NOT INFRINGE PRIVATE RIGHTS OF OTHERS. NO LIABILITY IS ASSUMED WITH RESPECT TO THE USE OF, OR FOR DAMAGES RESULTING FROM THE USE OF, ANY INFORMATION, APPARATUS, METHOD OR PROCESS DISCLOSED IN THESE DRAWINGS. DRAWINGS MADE AVAILABLE FOR INFORMATION TO BIDDER ARE NOT TO BE USED FOR OTHER PURPOSES, AND ARE TO BE RETURNED UPON REQUEST OF THE FORWARDING CONTRACTOR.

P THIS DRAWING PRODUCED ON PRO-ENGINEER

REV	DESCRIPTION	BY	DATE	CHK	DEPT	DATE	PE	REQ	DATE	ORNL	DOE	DATE

SCALE 1:1	DES: PJ FOGARTY 10-1-04	UT-BATTELLE	Oak Ridge National Laboratory managed for the DEPARTMENT OF ENERGY under U.S. GOVERNMENT contract DE-AC05-00OR22725 UT-BATTELLE, LLC, Oak Ridge, Tennessee
TOLERANCES UNLESS OTHERWISE SPECIFIED	DRW: T HARGROVE 10-12-04	NATIONAL COMPACT STELLARATOR EXPERIMENT	
FRACTIONS : XX DECIMALS ±.01 XXX DECIMALS ±.005 ANGLES ±0°15'	CHK: M COLE 10-14-04 SECT: : DEPT: : PE: D WILLIAMSON 10-14-04 CR: : PJ: : REQ: : PPPL DRFT: J SIEGEL 10-14-04	VERSION NO. 6	PLANT X-10 BLDG 5700 FL 3 SHT 1 TYPE I CLASS S REV U
FINISH :25 UNLESS OTHERWISE SPECIFIED	DRAWING APPROVALS	RELEASE LEVEL Fabrication	SE1406-136

H
G
F
E
D
C
B
A