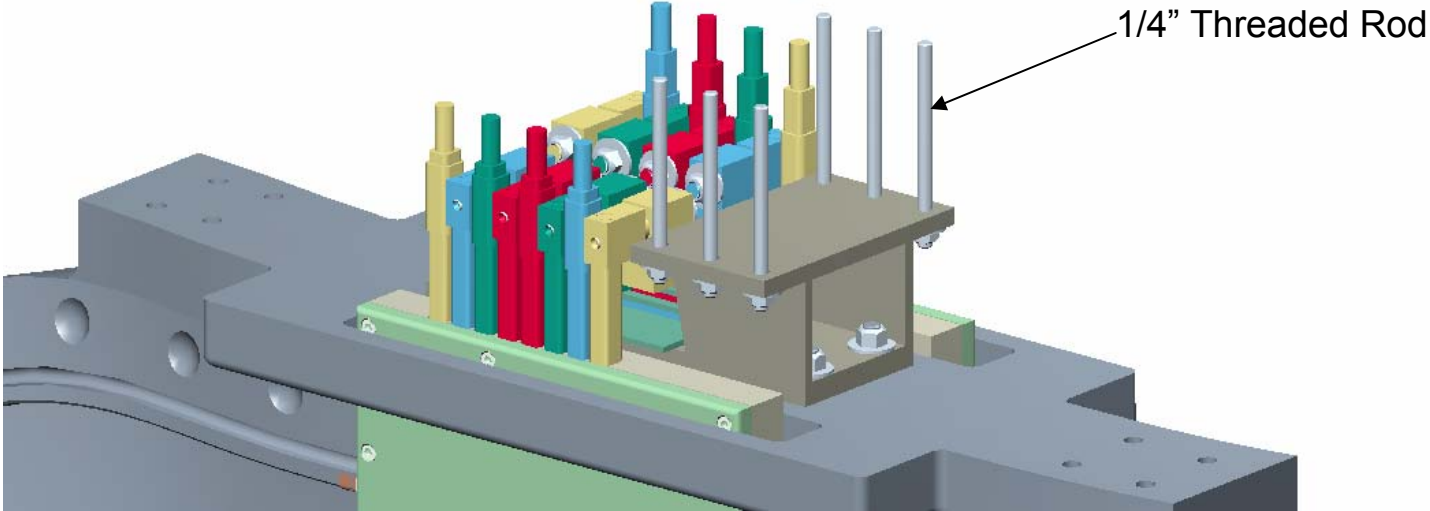
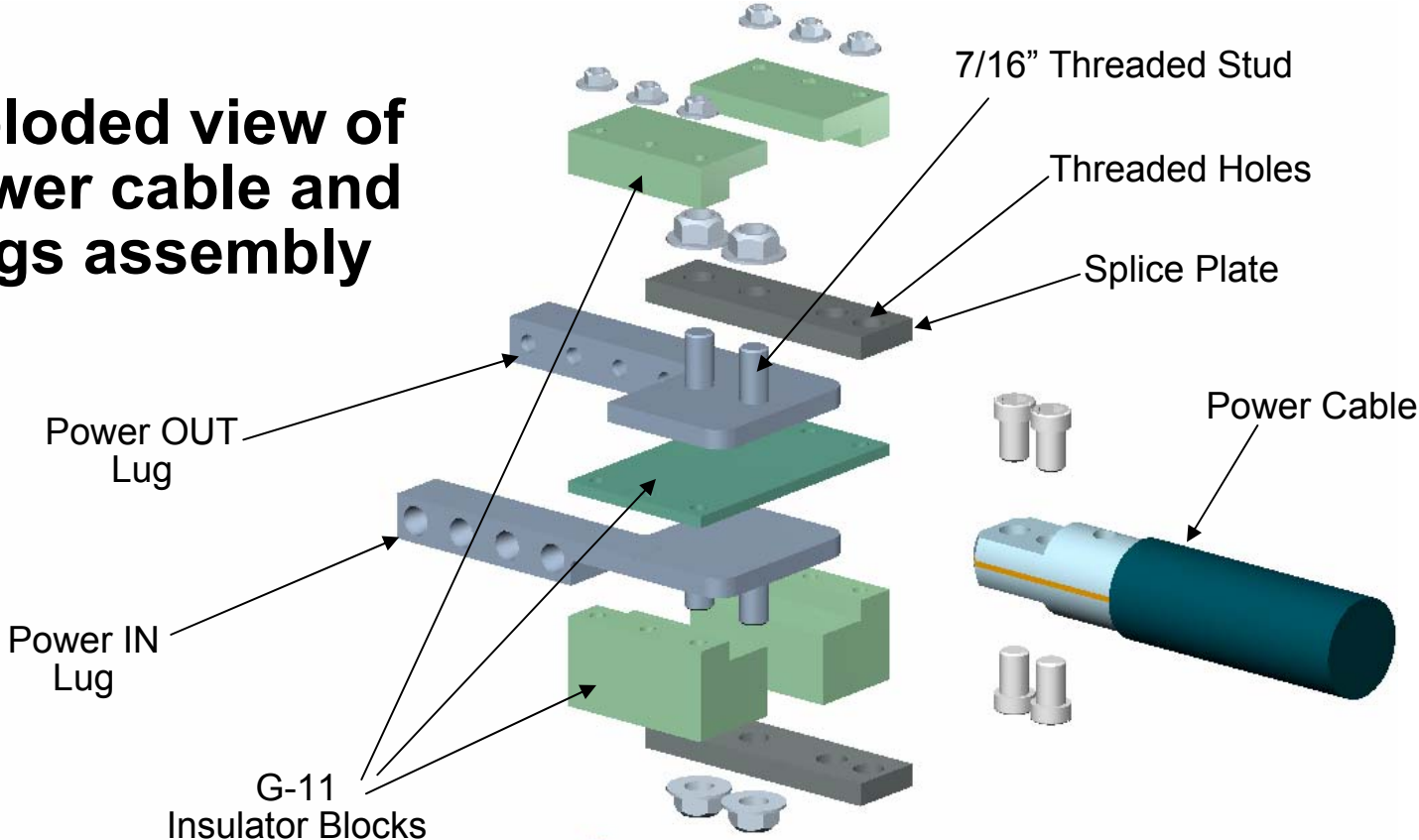
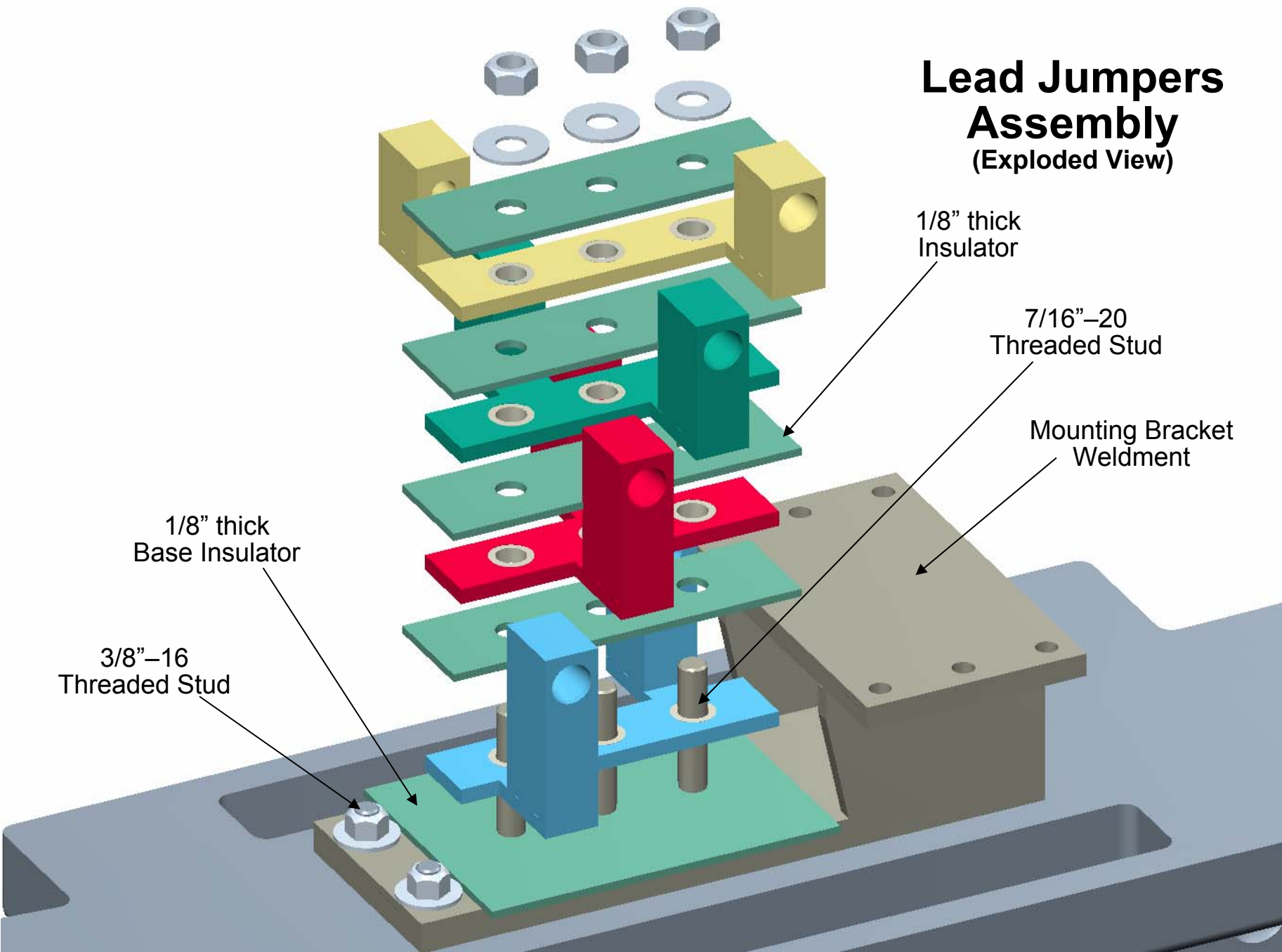


Exploded view of power cable and lugs assembly



Lead Jumpers Assembly (Exploded View)



1/8" thick
Base Insulator

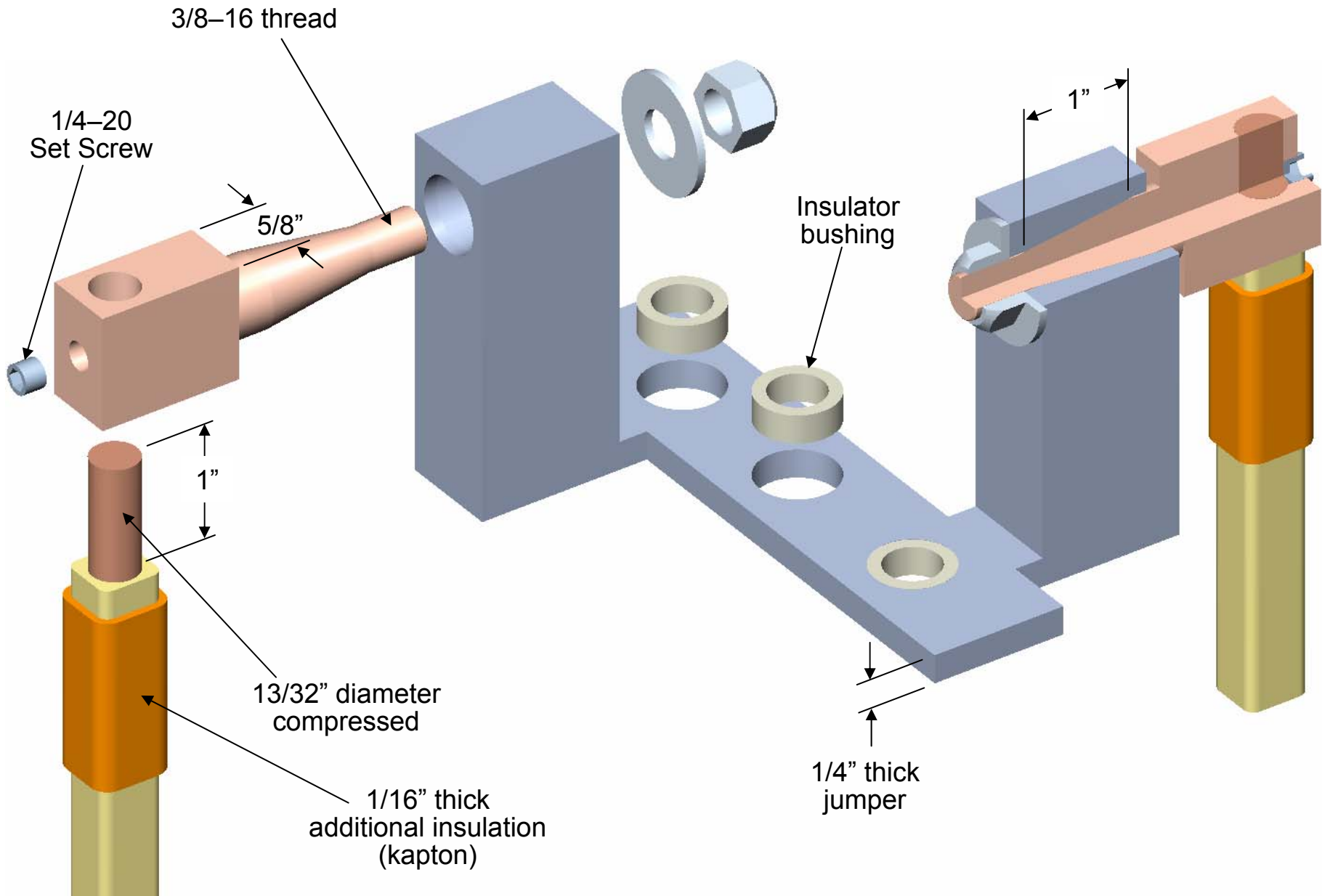
3/8"-16
Threaded Stud

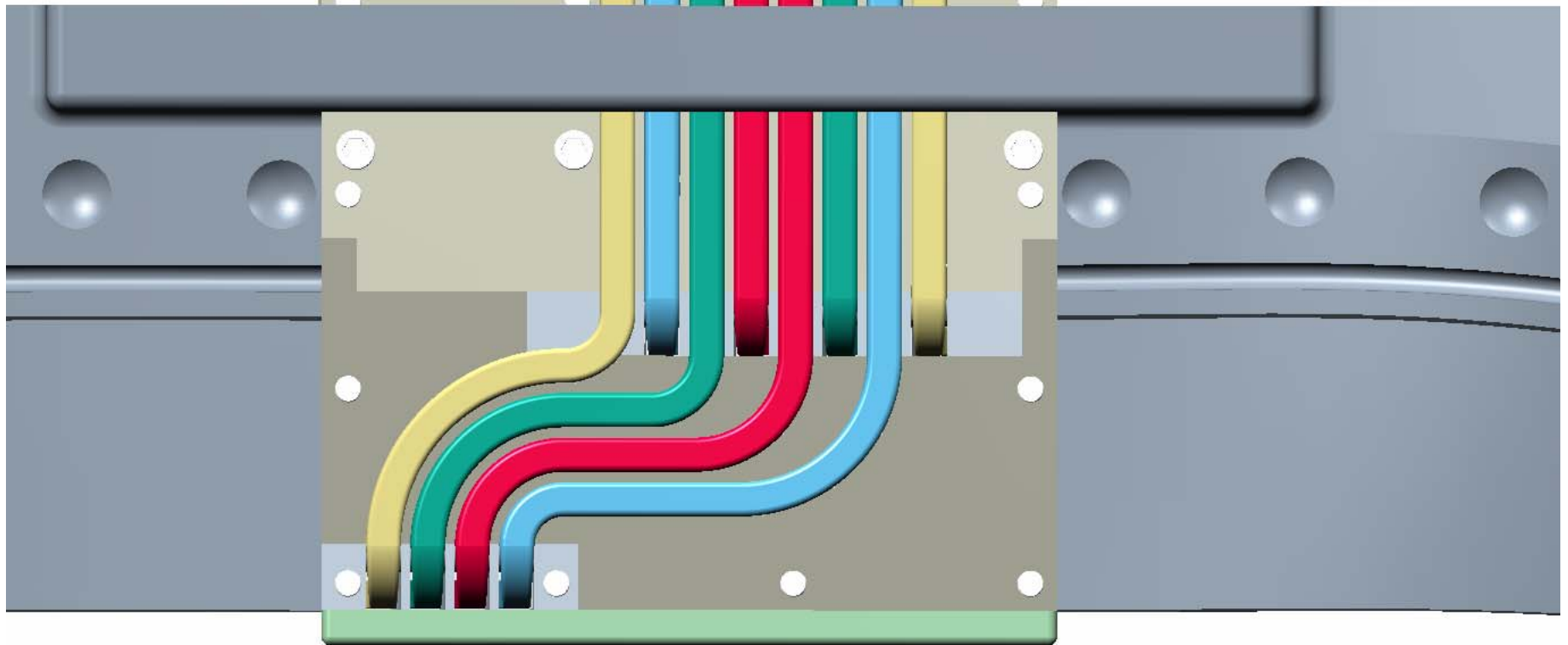
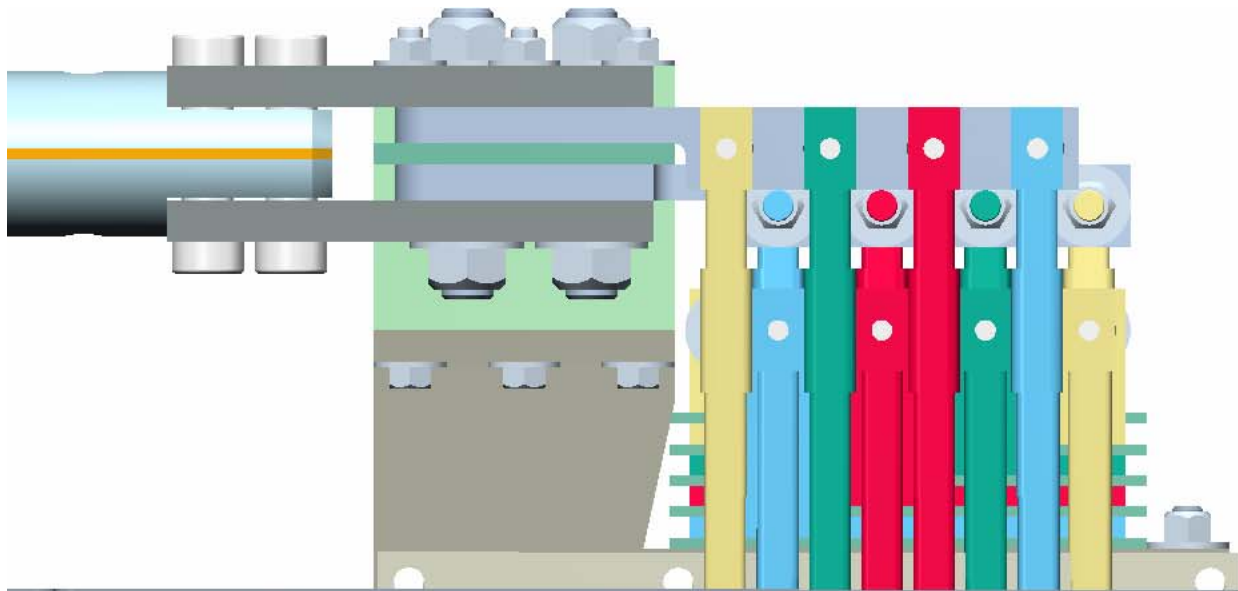
1/8" thick
Insulator

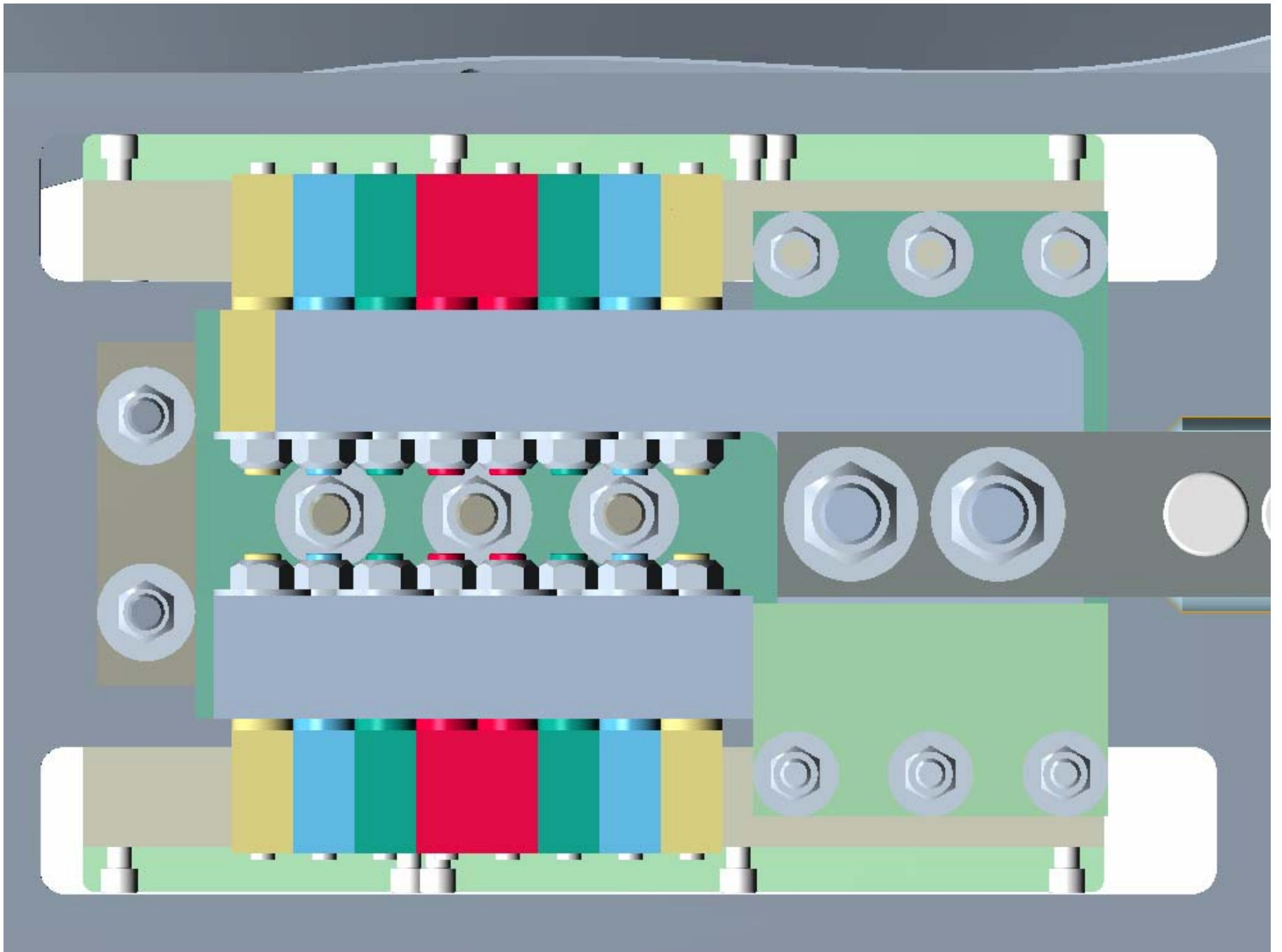
7/16"-20
Threaded Stud

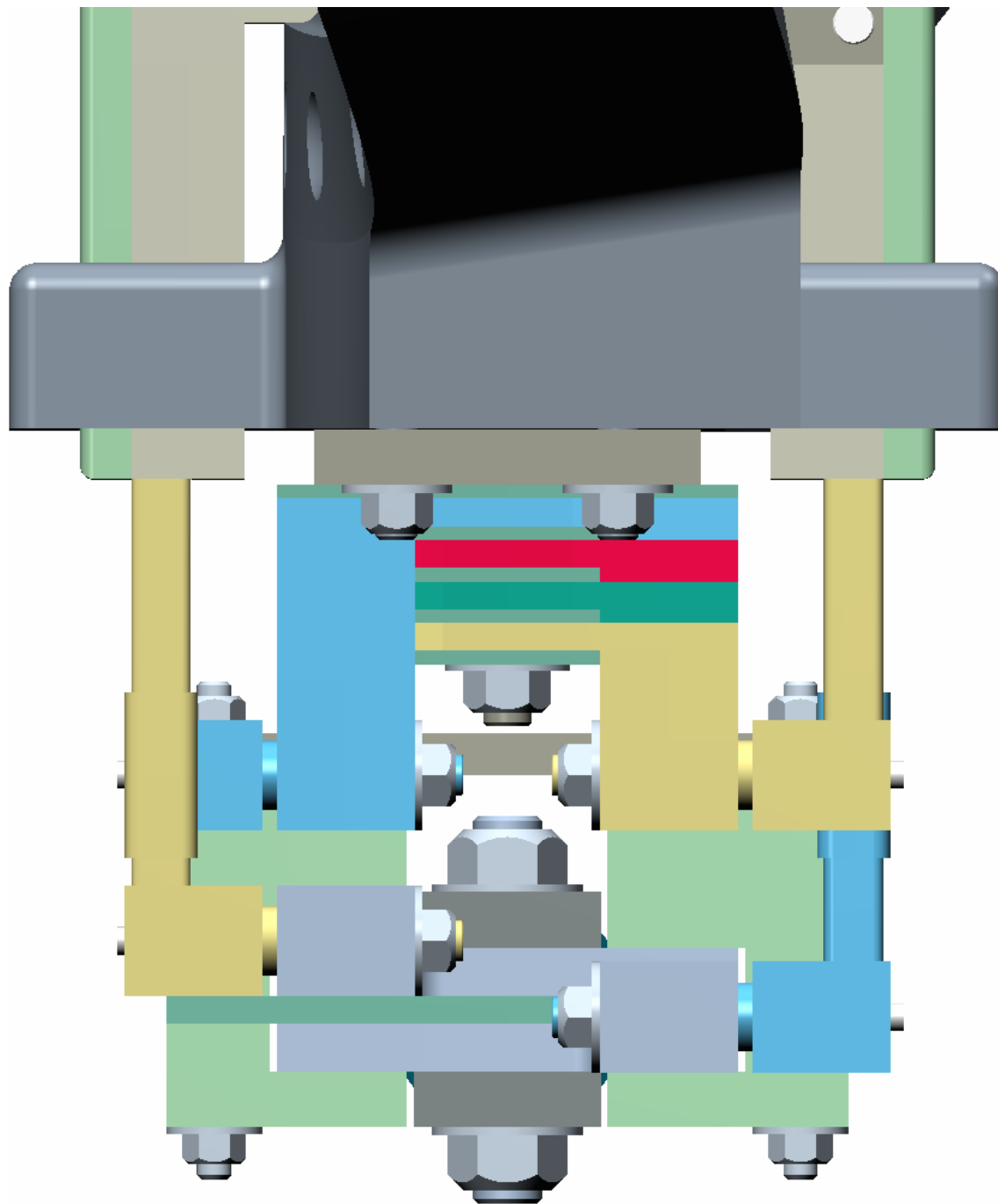
Mounting Bracket
Weldment

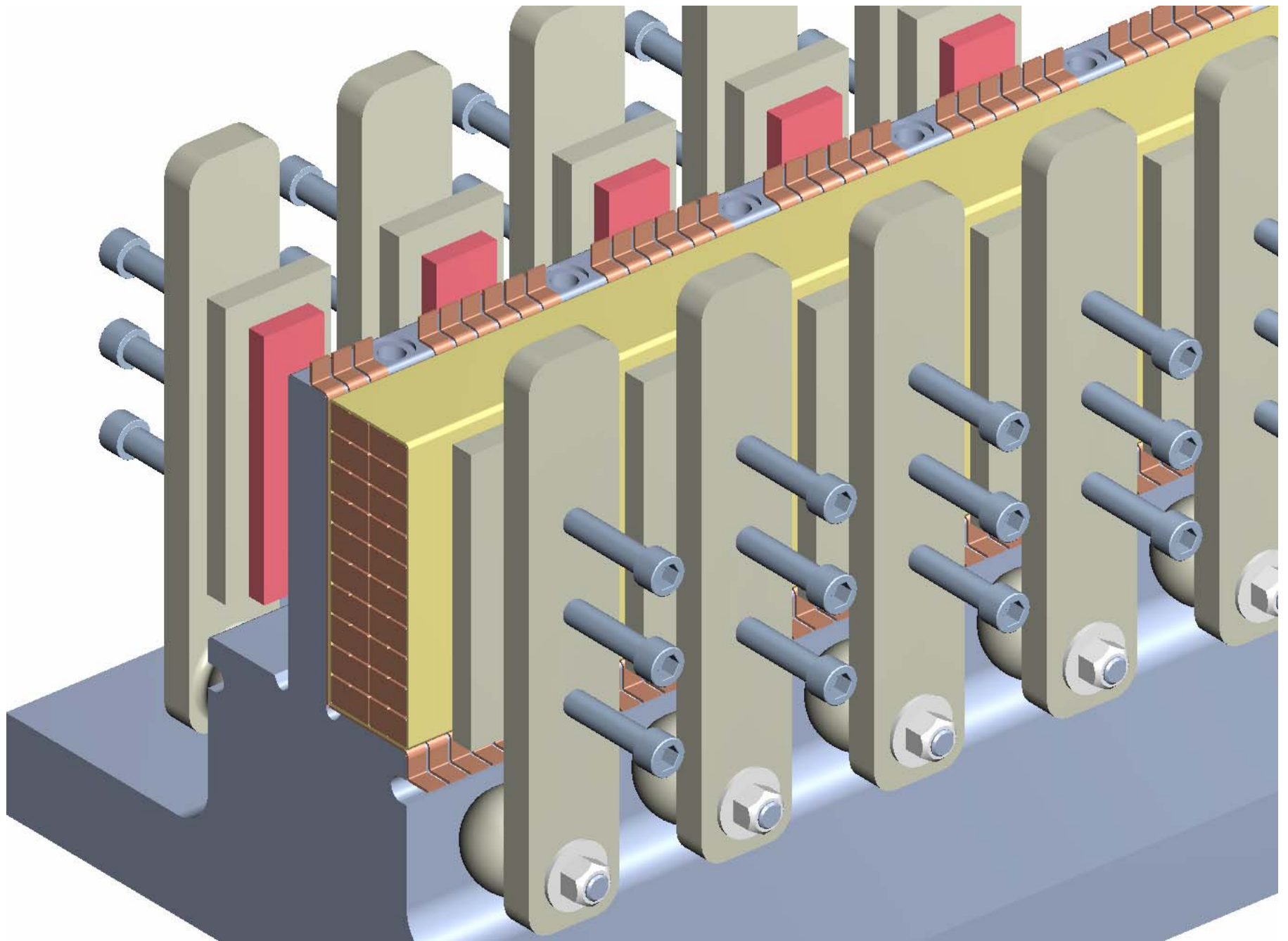
Typical Jumper Connection



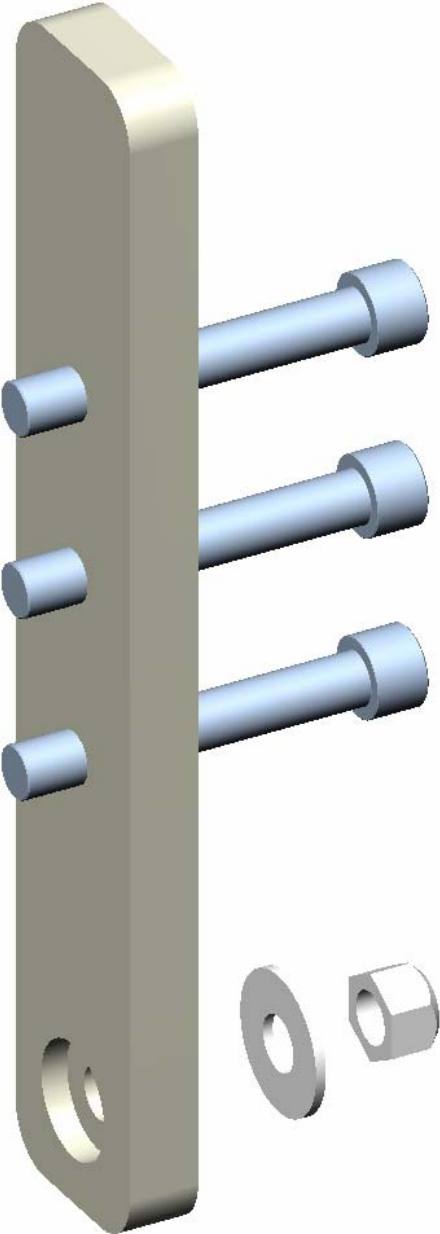
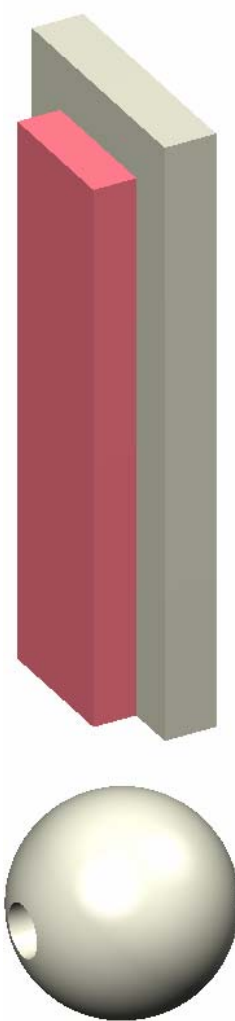
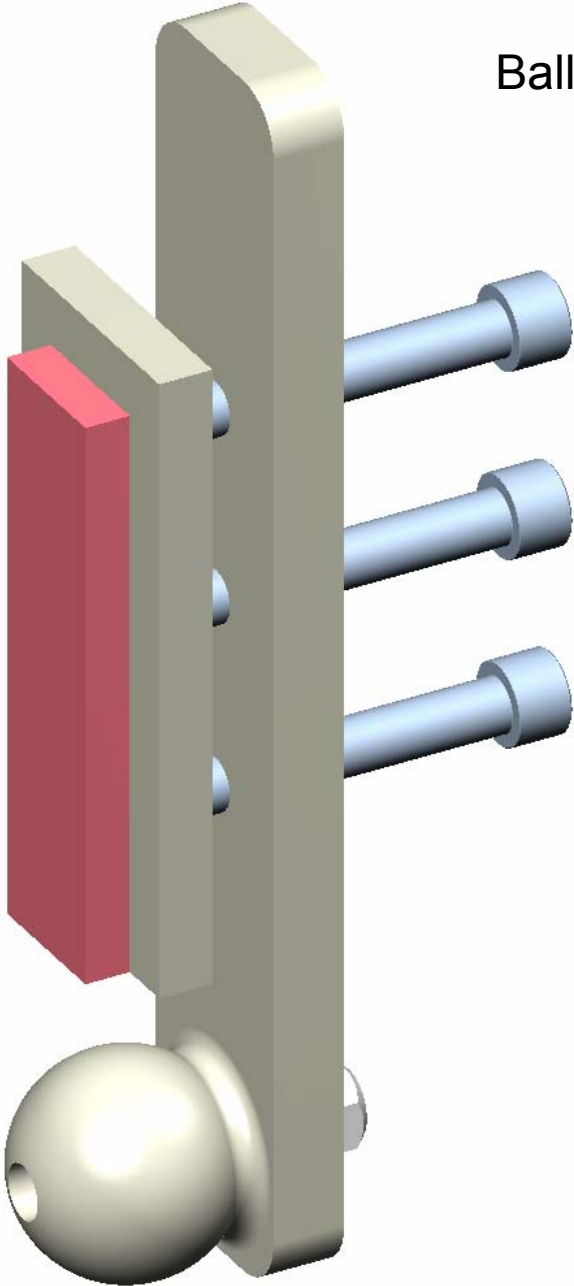


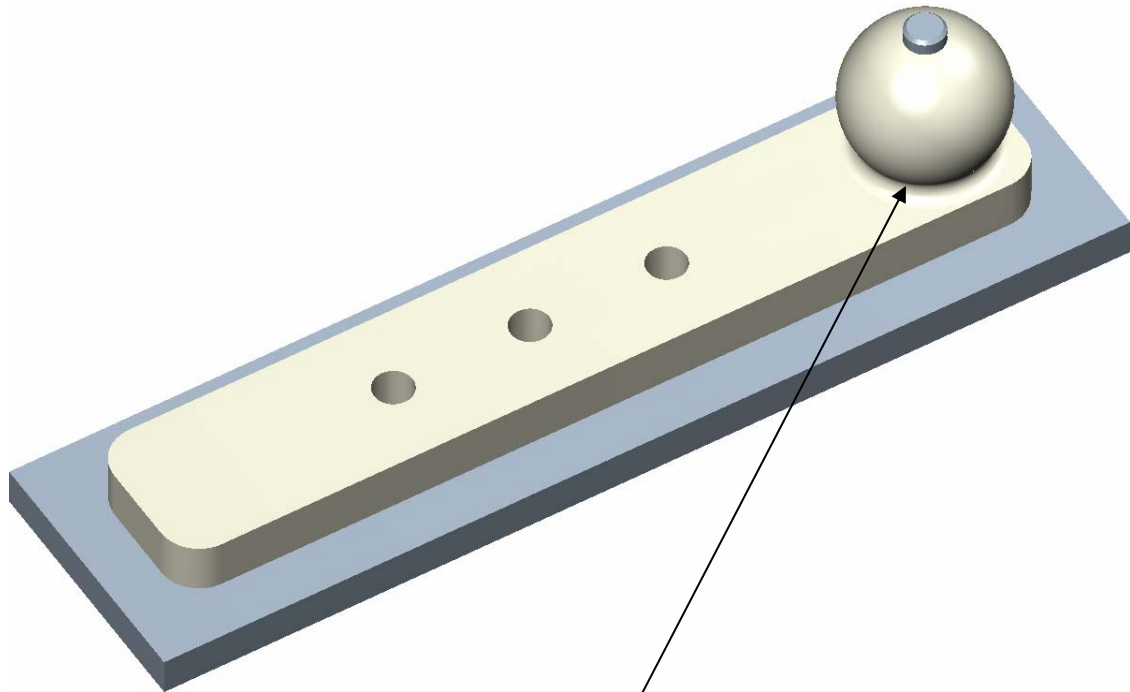




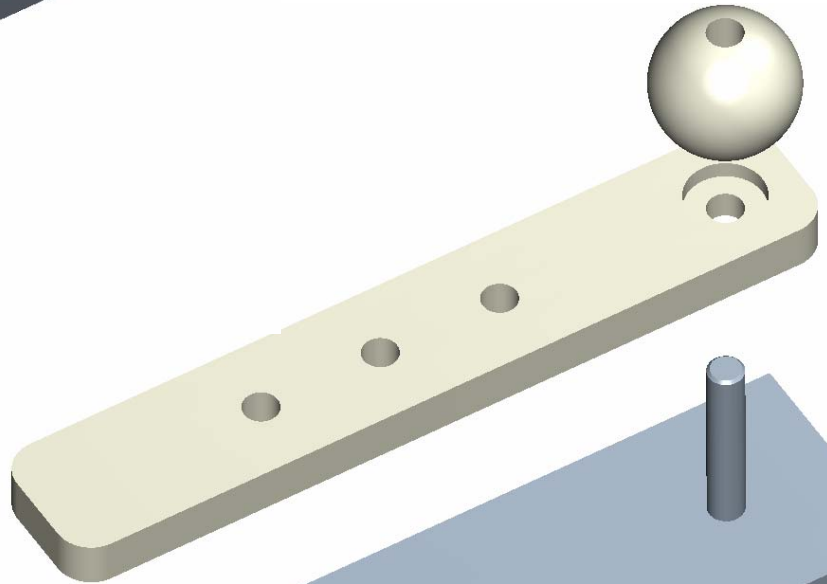


Ball Clamp Assembly

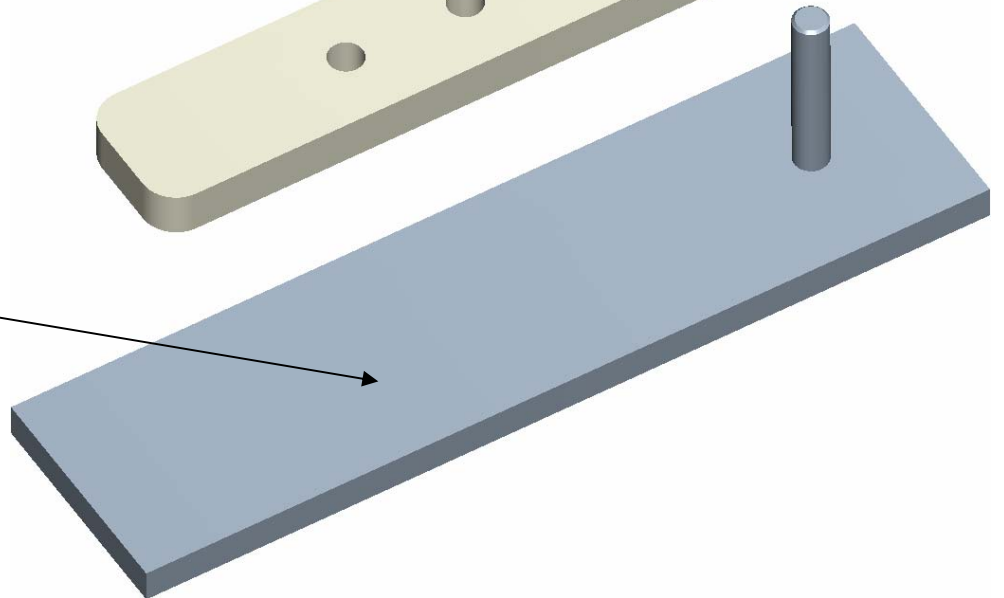




Fillet Weld



Welding Fixture



Option -1

Option -2

