

NCSX Product Specification

Twisted Racetrack Coil Assembly

NCSX-CSPEC-142-04-00
January 4, 2005

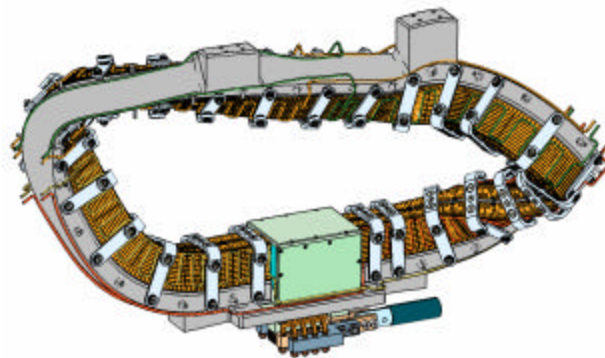
Prepared by: _____
D. Williamson, WBS14

Concurred by: _____
J. Chrzanowski, Coil Windings and Assembly

Concurred by: _____
B. Nelson, NCSX Stellarator Core

Concurred by: _____
J. Malsbury, NCSX QA Manager

Approved by: _____
W. Reiersen, Engineering Manager



-----**Controlled Document**-----
This is a controlled document. Check the NCSX Engineering web for latest revision.

Revision History

Revision No.	Affected Pages	Date
0 (Initial Issue)	All	January 4, 2004

TABLE OF CONTENTS

1 INTRODUCTION AND SCOPE..... 1

 1.1 Introduction..... 1

 1.2 Scope..... 2

2 APPLICABLE DOCUMENTS 2

 2.2 Standards and Specifications 2

 2.2 Drawings 2

3 REQUIREMENTS 3

 3.1 Definition..... 3

 3.2 Characteristics..... 5

 3.2.1 Winding Form..... 5

 3.2.1.1 Material..... 5

 3.2.1.2 Size and Weight 5

 3.2.1.3 Winding Surface 5

 3.2.1.4 Magnetic Permeability 6

 3.2.1.5 Surface finish..... 6

 3.2.1.6 Modifications 6

 3.2.2 Inner Copper Cladding..... 6

 3.2.2.1 Material..... 6

 3.2.2.2 Quantity, Size, and Weight 7

 3.2.2.3 Sliding Fit..... 7

 3.2.2.4 Electrical Insulation 7

 3.2.3 Ground Insulation 7

 3.2.3.1 Material..... 7

 3.2.3.2 Quantity, Size, and Weight 7

 3.2.4 Conductor and Turn Insulation..... 7

 3.2.4.1 Material..... 7

 3.2.4.2 Size and Weight 7

 3.2.4.3 Conductor Length..... 7

 3.2.4.4 Electrical Properties 7

 3.2.5 Supplemental Turn Insulation at Leads 7

 3.2.5.1 Material..... 7

 3.2.5.2 Quantity, Size, and Weight 8

 3.2.6 Winding Pack Shims 8

 3.2.6.1 Material..... 8

 3.2.6.2 Size and Weight 8

 3.2.6.3 Temporary attachment 8

 3.2.6.4 Placement Location..... 8

 3.2.7 Lead Blocks..... 9

 3.2.7.1 Material..... 9

 3.2.7.2 Quantity, Size and Weight 9

 3.2.7.3 Surface Finish..... 9

 3.2.8 Terminal Blocks and Insulators 9

 3.2.8.1 Material..... 9

3.2.8.2	Quantity, Size, and Weight	9
3.2.8.3	Surface Finish	9
3.2.9	Chill Plates	9
3.2.9.1	Material	9
3.2.9.2	Quantity, Size, and Weight	9
3.2.10	Tubing / Fringe	10
3.2.10.1	Material	10
3.2.10.2	Quantity, Size, and Weight	10
3.2.11	VPI Bag Mold	10
3.2.11.1	Material	10
3.2.11.2	Quantity, Size and Weight	10
3.2.12	Clamp Assembly	10
3.2.12.1	Material	10
3.2.12.2	Quantity, Size and Weight	10
3.2.13	Instrumentation	10
3.2.13.1	Strain gages	10
3.2.13.1.1	Material	10
3.2.13.1.2	Quantity, Size, and Weight	10
3.2.13.1.3	Location	10
3.2.13.2	Thermocouples	11
3.2.13.2.1	Material	11
3.2.13.2.2	Quantity, Size, and Weight	11
3.2.13.2.3	Location	11
3.2.13.3	Flux loops	11
3.2.13.3.1	Material	11
3.2.13.3.2	Quantity, Size, and Weight	11
3.2.13.3.3	Location	11
3.2.13.3.4	Termination	11
4	QUALITY ASSURANCE	11
4.1	Inspection and Test Requirements	11
4.2	Material and Equipment Identification Requirements	11
5	DOCUMENTATION	12
5.1	System of Documentation	12

TABLE OF FIGURES

Figure 1-1	- Twisted Racetrack Coil Assembly	1
Figure 3-1	- TRC Winding Pack	5
Figure 3-2	- Tee Dimensions and Tolerances (SE140-084.DRW)	6
Figure 3-3	- Winding Pack Shim Options	8

1 INTRODUCTION AND SCOPE

1.1 Introduction

The National Compact Stellarator Experiment (NCSX) is a quasi-axisymmetric facility that combines the high beta and good confinement features of an advanced tokamak with the low current, disruption-free characteristics of a stellarator. The experiment is based on a three field period plasma configuration with an average major radius of 1.4 m, a minor radius of 0.3 m, and a toroidal magnetic field on axis of up to 2 T. The modular coils are one set in a complex assembly of four coil systems that surround the highly shaped plasma. There are six each of three coil types in the assembly for a total of 18 modular coils. The coils are constructed by winding copper cable onto a cast stainless steel winding form that has been machined to high accuracy, so that the current center of the winding pack is within ± 1.5 mm of its theoretical position. The modular coils operate at a temperature of 80 K and are subjected to rapid heating and stress during a pulse.

The Twisted Racetrack Coil (TRC) is the third test article in the modular coil R&D program, and the first to demonstrate a prototypical coil winding. It will be fabricated in the production winding facility and tested under similar operating conditions as the modular coils. At the conclusion of testing, the TRC will be disassembled for inspection.



Figure 1-1 - Twisted Racetrack Coil Assembly

1.2 Scope

This specification defines the twisted racetrack coil assembly and requirements for its construction and operation.

2 APPLICABLE DOCUMENTS

2.2 Standards and Specifications

ASTM A703/M-01	Specification for Steel Castings
ASTM B152/M-00	Standard Specification for Copper Sheet
ASTM B280-03	Standard Specification for Seamless Copper Tube
NCSX-CSPEC-141-02	TRC Winding Form Product Specification
NCSX-CSPEC-142-03	Modular Coil Conductor Specification
NCSX-MCWFOF-00	Winding Facility Operations Plan
NCSX-MITQA-142-01	Modular Coil MIT/QA Plan
NCSX-PLAN-QAP	NCSX Quality Assurance Plan

2.2 Drawings

SE1406-009.DRW	TRC MODEL TREE
SE1406-090.DRW	TRC WINDING PACK XSEC
SE1406-091.DRW	TRC CLADDING / CHILL PLATE LAYOUT
SE1406-010.DRW	TWISTED RACETRACK COIL ASSEMBLY
SE140-084.DRW	TWISTED RACETRACK WINDING FORM
SE1406-011.DRW	TRC WINDING FORM WELDMENT
SE1406-048.DRW	TRC JUMPER BASE BLOCK
SE1406-049.DRW	TRC JUMPER INSULATOR
SE1406-051.DRW	TRC JUMPER 1
SE1406-052.DRW	TRC JUMPER 2
SE1406-053.DRW	TRC JUMPER 3
SE1406-054.DRW	TRC JUMPER 4
SE1406-055.DRW	TRC TERMINAL LUG OUT
SE1406-059.DRW	TRC TERMINAL LUG IN
SE1406-022.DRW	FILL BLOCK 2
SE1406-023.DRW	FILL BLOCK 3
SE1406-024.DRW	FILL BLOCK 1
SE1406-025.DRW	TRC FILL BLOCK
SE1406-122.DRW	LOWER WINDING BLOCK
SE1406-123.DRW	LOWER WINDING BLOCK MIRROR
SE1406-134.DRW	LOWER GUIDE BLOCK
SE1406-135.DRW	LOWER GUIDE BLOCK MIRROR
SE140-283.DRW	CLADDING SIDE A WEB
SE140-287.DXF	CLADDING SIDE A WEB FLAT PATTERNS

SE140-284.DRW	CLADDING SIDE B FLANGE
SE140-288.DXF	CLADDING SIDE B FLANGE FLAT PATTERNS
SE140-285.DRW	CLADDING SIDE A FLANGE
SE140-289.DXF	CLADDING SIDE A FLANGE FLAT PATTERNS
SE140-286.DRW	CLADDING SIDE B WEB
SE140-290.DXF	CLADDING SIDE B WEB FLAT PATTERNS
SE1406-077.DRW	CABLE CONNECTOR
SE1406-118.DRW	UPPER WINDING BLOCK
SE1406-119.DRW	UPPER WINDING BLOCK MIRROR
SE1406-136.DRW	UPPER GUIDE BLOCK
SE1406-137.DRW	UPPER GUIDE BLOCK MIRROR
SE1406-116.DRW	LEADS SIDE PLATE
SE1406-121.DRW	LEADS SIDE PLATE
SE1406-117.DRW	LEADS TOP PLATE
SE1406-061.DRW	CHILL PLATE SIDE A ASSEMBLY
SE1406-062.DXF	CHILL PLATE SIDE A FLAT PATTERNS
SE1406-063.DRW	CHILL PLATE SIDE B ASSEMBLY
SE1406-064.DXF	CHILL PLATE SIDE B FLAT PATTERNS
SE1406-380.DRW	TUBEFRINGE SIDE A ASSEMBLY
SE1406-390.DRW	TUBEFRINGE SIDE B ASSEMBLY
SE1406-161.DRW	FRINGE SIDE A ASSEMBLY
SE1406-162.DRW	FRINGE SIDE B ASSEMBLY
SE1405-250P.DRW	PROTOTYPE CLAMP ASSEMBLY
SE1405-251P.DRW	CLAMP VERTICAL BAR
SE1405-254P.DRW	CLAMP HORIZONTAL BAR
SE1405-255P.DRW	SET SCREW
SE1405-256P.DRW	SPECIAL RIVET
SE1405-257P.DRW	SPHERICAL WASHER
SE1405-259P.DRW	SPHERICAL WASHER
SE1405-260P.DRW	NUT, PIN DRIVE
SE1405-261P.DRW	SET SCREW
SE1405-262P.DRW	PISTON
SE1405-263P.DRW	SPHERICAL WASHER
SE1405-264P.DRW	SCREW

3 REQUIREMENTS

3.1 Definition

The twisted racetrack coil assembly includes the winding form, conductor and insulation, leads and termination, cooling system, instrumentation, vacuum-pressure epoxy impregnation (VPI) features, and the coil clamps. Figure 2 shows the main subcomponents of the coil assembly:

Winding form – a cast, stainless steel structure with a machined “tee” profile

Cladding – inner layer of copper that cools the winding pack by conduction

Ground insulation – multiple layers of glass cloth surrounding the winding pack

Conductor – stranded copper wire with a compacted, rectangular cross-section

Turn insulation – pre-wrapped layers of glass around each conductor

Shims – additional layers of glass that adjust the center of the winding pack

Lead blocks – insulated supports for conductor entry/exit from winding pack

Terminal blocks – electrical connection to coax power feed

Chill Plates – outer layer of copper, “fringe” connectors, and tubes for cooling

Bag mold – silicone and fiberglass shell that surrounds winding pack

Clamps – support that provides clamping force, preload on winding pack

Instrumentation – strain gages, thermocouples, and voltage taps

Magnetic diagnostics – two wires co-wound on the plasma side of winding pack

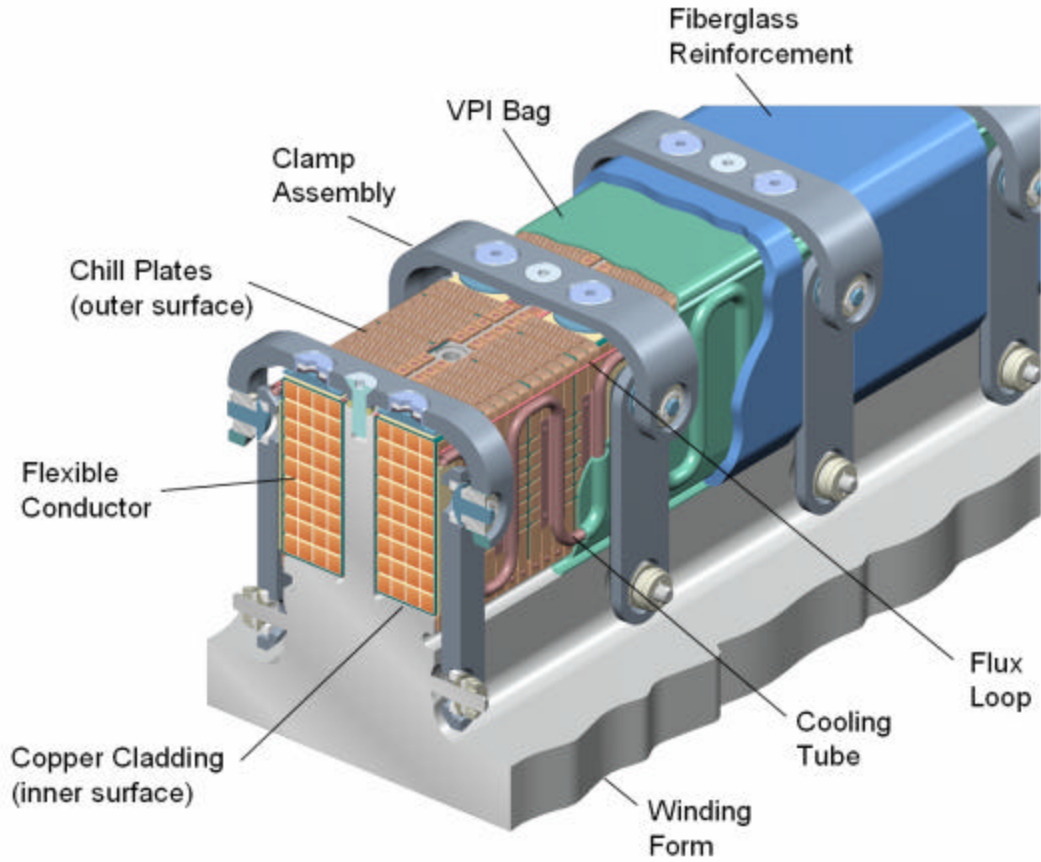


Figure 3-1 - TRC Winding Pack

3.2 Characteristics

Each of the twisted racetrack assembly subcomponents has performance or physical characteristics that are necessary for proper function of the coil and should be verified prior to or during assembly.

3.2.1 Winding Form

3.2.1.1 Material

The winding form material is a cast, stainless steel alloy.

3.2.1.2 Size and Weight

The bounding dimensions of the winding form are 3 x 3 x 5-ft and the weight is approximately 750-lbs.

3.2.1.3 Winding Surface

The dimensions and tolerance of the “tee” section of the winding form are illustrated in Figure 3-2.

3.2.1.4 Magnetic Permeability

The relative magnetic permeability of the winding form shall not exceed 1.02.

3.2.1.5 Surface finish

All winding surfaces shall have a surface finish <125-u in.

3.2.1.6 Modifications

A terminal block and studs shall be attached to the winding form by welding, as specified in drawing SE1406-011.DRW.

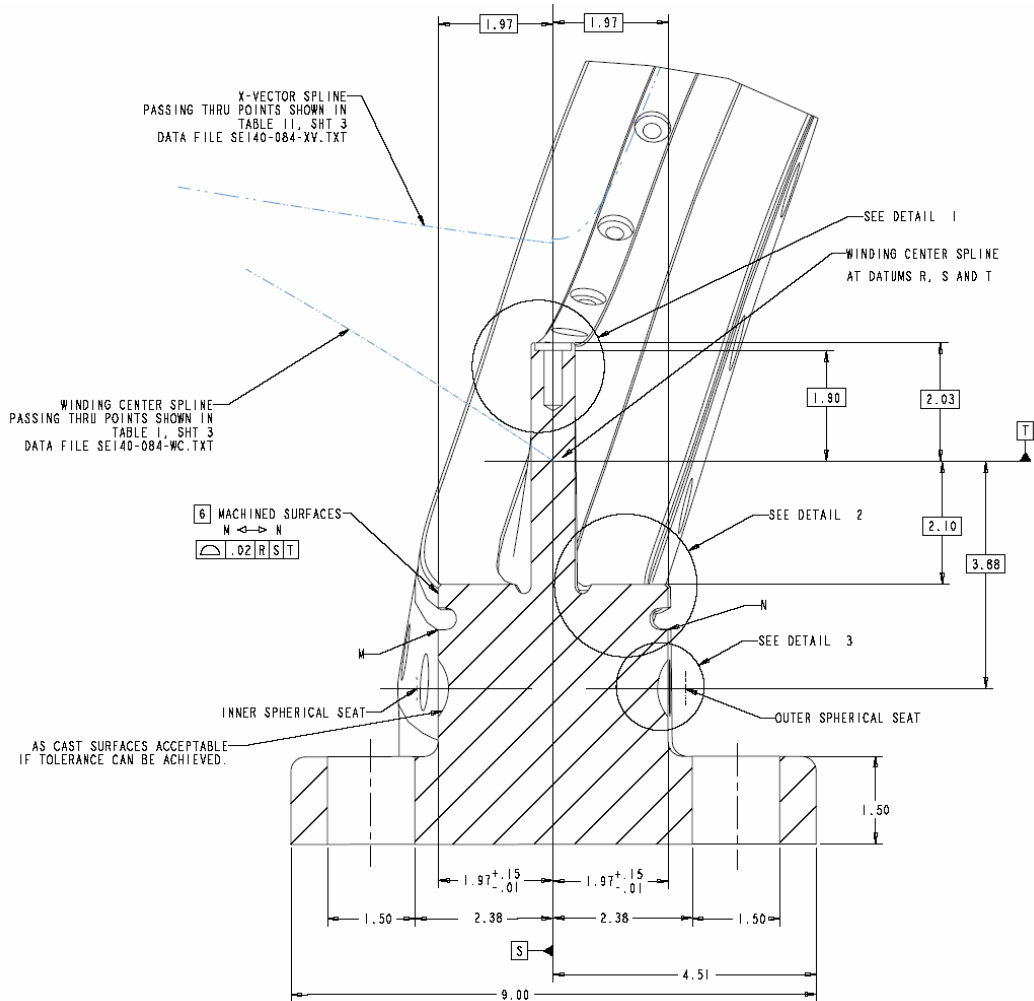


Figure 3-2 - Tee Dimensions and Tolerances (SE140-084.DRW)

3.2.2 Inner Copper Cladding

3.2.2.1 Material

The cladding material is 0.040-in thick copper sheet, UNS No. C10200, with high thermal conductivity and a temper suitable for forming. Annealed condition is acceptable.

3.2.2.2 Quantity, Size, and Weight

There are 400 pieces of cladding, with average dimensions of 1.5 x 4-in. and a total weight of ~30-lbs.

3.2.2.3 Sliding Fit

The cladding shall conform to the winding surface but not be permanently bonded or attached to it. Temporary bonding will be required during the coil winding process.

3.2.2.4 Electrical Insulation

The cladding shall be electrically isolated from the winding form by a half-lapped layer of 0.0035-in Kapton tape.

3.2.3 Ground Insulation

3.2.3.1 Material

The ground insulation is composed of S2 glass and adhesive Kapton.

3.2.3.2 Quantity, Size, and Weight

The total thickness of 0.0445-in is composed of three layers: 1) a butt-lapped layer of 0.007-in S2 glass, 2) a half-lapped layer consisting of 2-in wide x 0.007-in S2 glass and 1.5-in wide x 0.0065-in adhesive Kapton tape, and 3) a butt-lapped layer of the same composite

3.2.4 Conductor and Turn Insulation

3.2.4.1 Material

The conductor material is 34-AWG CDA-101 copper wire, and the turn insulation is S-2 glass cloth with S920 Silane finish.

3.2.4.2 Size and Weight

The nominal size of the conductor with insulation is .374 x .415-in, and the weight is approximately 410-lbs per 1000-ft.

3.2.4.3 Conductor Length

The total length of conductor is ~900-ft.

3.2.4.4 Electrical Properties

The resistance of the conductor shall be less than 0.089- Ω per 1000-ft when measured at room temperature.

3.2.5 Supplemental Turn Insulation at Leads

3.2.5.1 Material

S2 glass and interleaved Kapton with adhesive backing.

3.2.5.2 Quantity, Size, and Weight

The total thickness of 0.041-in is composed of two half-lapped layers consisting of 1-in wide x 0.007-in S2 glass and 0.75-in wide x 0.0065-in adhesive Kapton tape.

3.2.6 Winding Pack Shims

3.2.6.1 Material

The shim material is S2 glass cloth and or NEMA Grade G11CR spacers with adhesive backing.

3.2.6.2 Size and Weight

Shims are cut from ~1-in wide x 0.035-in thick glass tape

3.2.6.3 Temporary attachment

Shims are attached via adhesive backing.

3.2.6.4 Placement Location

Shims shall be applied between layers as shown in Figure 3-3. Actual arrangement to be determined after conductor winding trials.

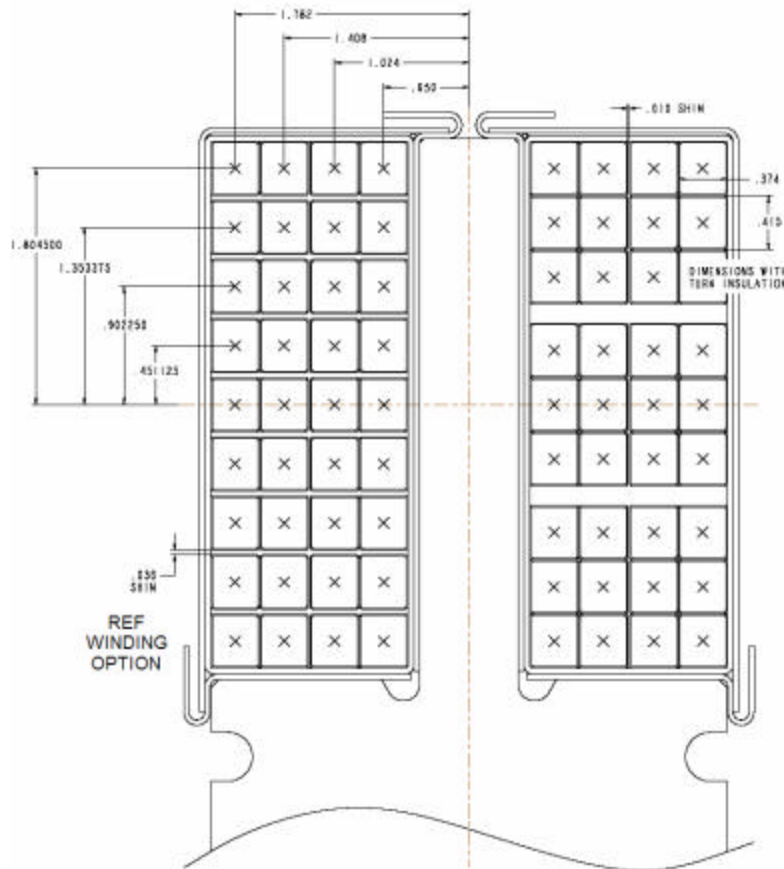


Figure 3-3 - Winding Pack Shim Options

3.2.7 Lead Blocks

3.2.7.1 Material

The lead blocks are constructed of an insulating material such as NEMA grade G11CR epoxy laminate.

3.2.7.2 Quantity, Size and Weight

There are four blocks per side, the largest of which is 1.5 x 5 x 10-in in size. The total weight of the lead blocks is ~10-lbs.

3.2.7.3 Surface Finish

The lead blocks shall be free of burrs and sharp edges that can damage the conductor. All surfaces unless machined shall be sanded to remove any high gloss surface, to promote bonding of the epoxy to the lead blocks.

3.2.8 Terminal Blocks and Insulators

3.2.8.1 Material

The terminal material is copper, UNS No. C10200, with interleaved insulation composed of NEMA Grade G11CR laminate.

3.2.8.2 Quantity, Size, and Weight

There are four jumpers per coil, with average dimensions of 1.5 x 4.5 x 5.5-in and a weight of ~0.5-lb each.

3.2.8.3 Surface Finish

The terminal blocks and insulators shall be free of burrs and sharp edges that can damage the conductor.

3.2.9 Chill Plates

3.2.9.1 Material

The cladding material is 0.040-in thick copper sheet, UNS No. C10200, with high thermal conductivity and a temper suitable for forming. Dead soft is acceptable.

3.2.9.2 Quantity, Size, and Weight

There are 200 chill plate parts, with average dimensions of 1.5 x 4 x 4-in. and a total weight of ~30-lbs.

3.2.10 Tubing / Fringe

3.2.10.1 Material

The tubing/fringe material is 0.040-in thick copper sheet, UNS No. C10200, and 0.25-in dia x 0.030-in wall tubing, with high thermal conductivity and a temper suitable for forming. Annealed condition is acceptable.

3.2.10.2 Quantity, Size, and Weight

There are 8 tube lengths and ~50 fringe parts total

3.2.11 VPI Bag Mold

3.2.11.1 Material

The bag mold is composed of self-fusing gray silicone tape, 2-part RTV-11 (white), Nomex felt (Stock No. NX08-6), and Hysol resin/hardener (Part 3561/2039).

3.2.11.2 Quantity, Size and Weight

[2] layers of silicone tape/ painted with RTV-11/ overwrapped with [2] layers of Nomex felt filled with Hysol epoxy formulation.

3.2.12 Clamp Assembly

3.2.12.1 Material

Stainless steel

3.2.12.2 Quantity, Size and Weight

There are 25 permanent clamps in the coil assembly.

3.2.13 Instrumentation

3.2.13.1 Strain gages

3.2.13.1.1 Material

Fiber optic strain gage

3.2.13.1.2 Quantity, Size, and Weight

Minimum of 8 strain gages

3.2.13.1.3 Location

Three each at each end of the coil, located at the tip of the tee web and the inside/outside surface of the tee base. Two additional strain gages to be located near and opposite the coil leads.

3.2.13.2 Thermocouples

3.2.13.2.1 Material

Type E Chromel/Constantan, 0.010-in diameter.

3.2.13.2.2 Quantity, Size, and Weight

Minimum of six thermocouples.

3.2.13.2.3 Location

Within a coil plane, opposite the leads region, thermocouples shall be located in the middle of each winding pack and spaced vertically between the layers.

3.2.13.3 Flux loops

3.2.13.3.1 Material

Two different cables are planned. First is copper coax in a braided stainless steel jacket, second is mineral insulated wire.

3.2.13.3.2 Quantity, Size, and Weight

Diameter is 0.070-in, length is approx 12-ft.

3.2.13.3.3 Location

Wires shall be located at the outer corner, plasma side of each winding pack.

3.2.13.3.4 Termination

Wires shall be routed along the lead block to the base of the winding form.

4 QUALITY ASSURANCE

4.1 Inspection and Test Requirements

Inspections and tests shall be performed in accordance with written / approved procedures referencing criteria for acceptance for rejection. Critical measurements shall include 1) measuring the machined winding form prior to start of winding activities, and 2) measuring the conductor layers during and after winding activities.

Inspections and tests shall be performed using properly calibrated measuring and test equipment. All critical calibration standards shall be traceable to the National Institute for Standards and Technology (NIST) and shall not be used for shop inspections, but instead be protected against damage or degradation.

4.2 Material and Equipment Identification Requirements

Material and equipment identification shall be maintained throughout the program and be traceable to records.

5 DOCUMENTATION

5.1 System of Documentation

During coil assembly, the team shall maintain a system of documentation whereby objective evidence of materials used in construction and the functional compliance of the coil can be verified. Such documentation shall include process travelers and any certification, inspection, examination, test, and discrepancy reports that are required.