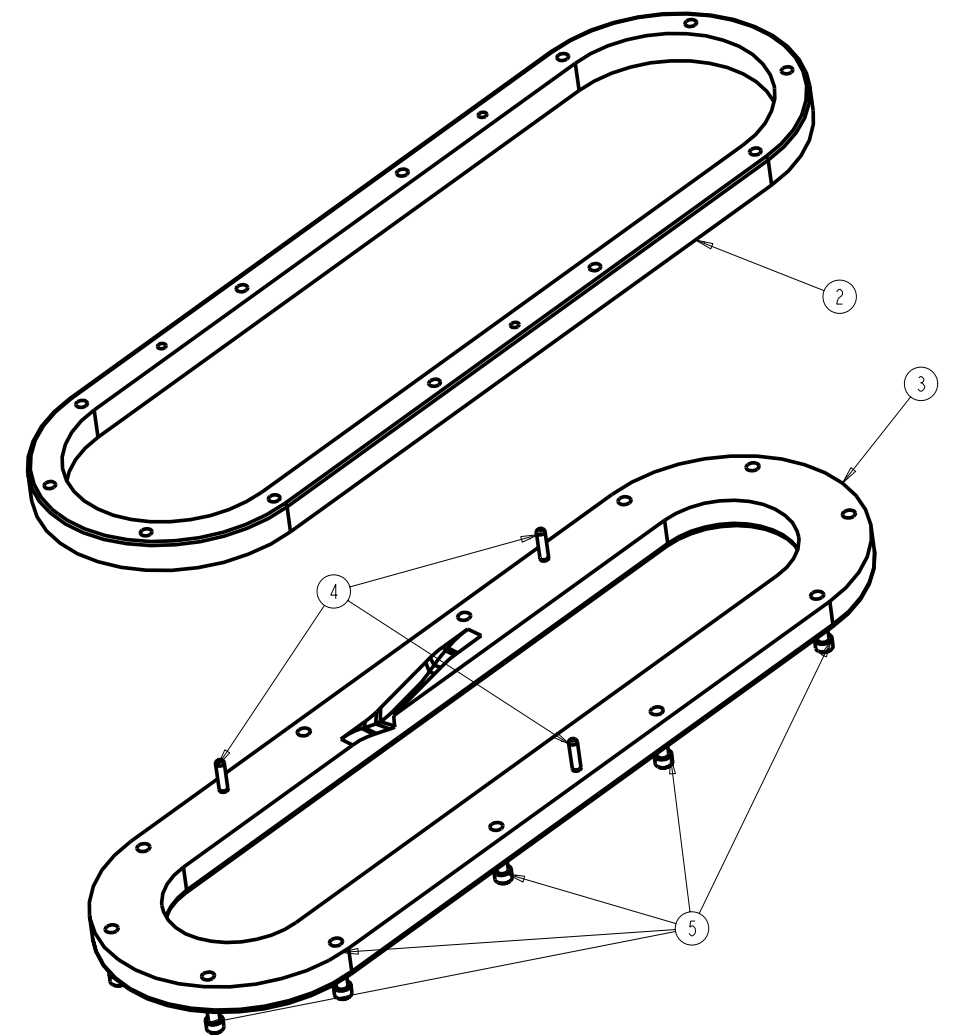
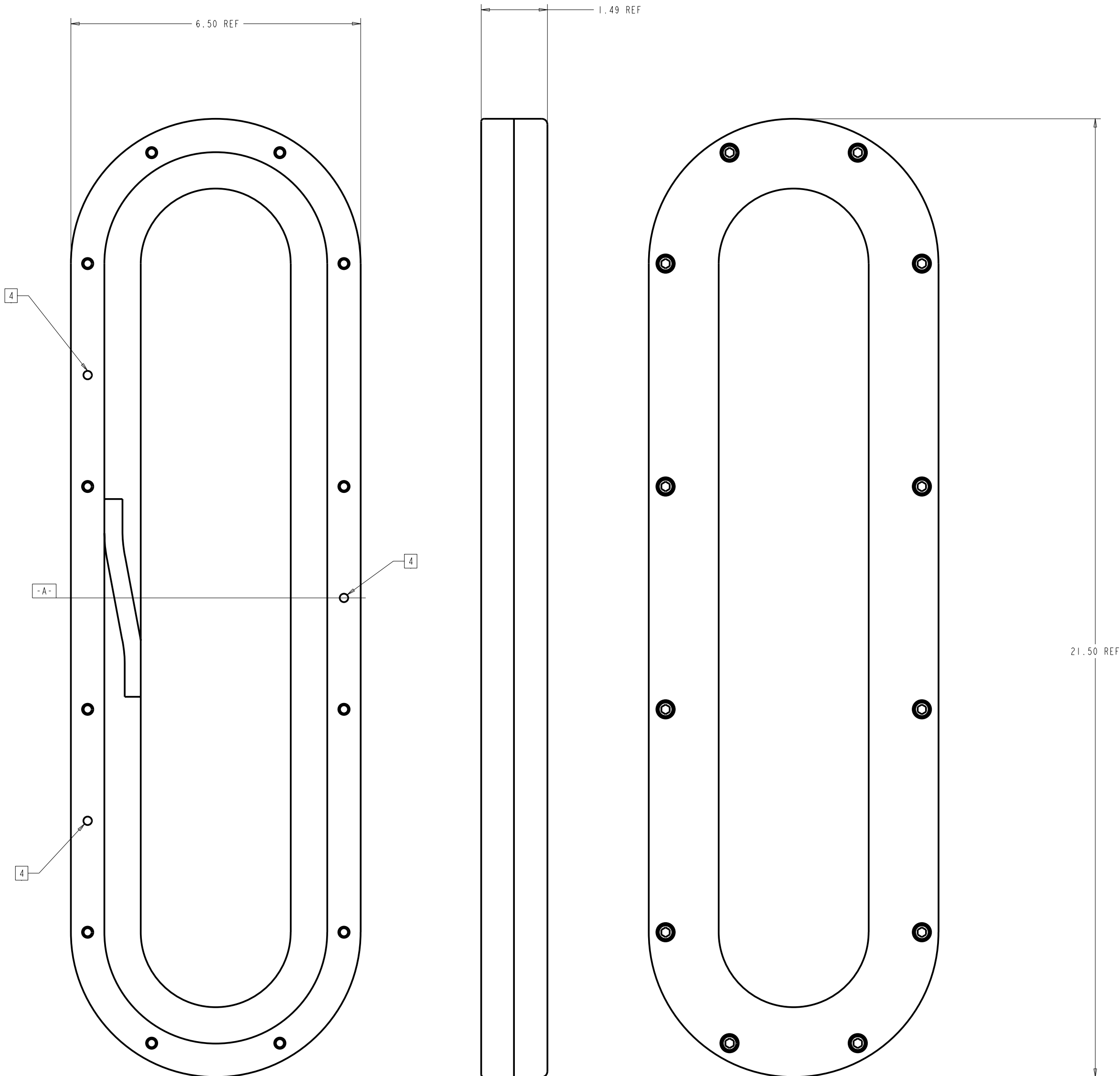


- NOTES:
 1. INTERPRET DIMENSIONS AND TOLERANCES PER ANSI Y14.5M
 2. DIMENSIONS ARE IN INCHES.
 3. REMOVE ALL DIRT, GREASE AND OIL. VISUALLY INSPECT AFTER CLEANING.
 4. MATCH REAM FOR DOWEL PIN (ITEM 4) AT ASSEMBLY. SEE DRAWING SE1405-101 & SE1405-102 FOR DIMENSIONS.



SCALE 0.500

SCALE 1.000 ①

FOR COMMENT ONLY

REV	DESCRIPTION	BY	DATE	CHK	DEPT	DATE	PE	REQ	DATE	ORNL	DOE	DATE
12												
3												
1	SE1405-101											
1	SE1405-102											
1	SE1405-100											

CAGE CODE	PART OR IDENTIFYING NO	NOMENCLATURE OR DESCRIPTION	MATERIAL	SPECIFICATION	FIND NO
		SHCS 1/4-20 UNC x 1.5 LG.	SSTL.	SILVER PLATED	5
		DOWEL	SSTL.	Ø.187 x .75 LG	4
		BASEPLATE	SSTL.	316 L	3
		SIDEPLATE	SSTL.	316 L	2
		WINDING FORM	AS NOTED	AS NOTED	1

PARTS LIST

SCALE	XX	DES	P. J. FOGARTY	1-20-04
TOLERANCES UNLESS OTHERWISE SPECIFIED		DRW	G. FORTIER	1-20-04
FRACTIONS		SECT		
XX DECIMALS		DEPT		
XXX DECIMALS	±.01	PE		
ANGLES	±.005	CB		
DRILL CHAM ENDS OF DR	±0°15'	P2		
FINISH	UNLESS OTHERWISE SPECIFIED	REQ		
		PPPL OPT		
		DRAWING APPROVALS		DATE

UT-BATTELLE Oak Ridge National Laboratory
 managed for the Department of Energy under
 contract number DE-AC05-84OR21400
 U.S. GOVERNMENT CONTRACT NO. AC05-84OR21400
 UT-BATTELLE, LLC, Oak Ridge, Tennessee

NATIONAL COMPACT STELLARATOR EXPERIMENT

BASEPLATE

VERSION NO.	PLANT	BLOG	FL	SMT	OF	TYPE	CLASS
001	ORNL	5700	3	1	1	D	U

RELEASE LEVEL SE1405-100

REV 0

NO REPRESENTATION OR WARRANTY, EXPRESSED OR IMPLIED, IS MADE AS TO THE ACCURACY, COMPLETENESS OR USEFULNESS OF THE INFORMATION OR STATEMENTS CONTAINED IN THESE DRAWINGS, OR THE USE OR DISCLOSURE OF ANY INFORMATION, APPARATUS, METHOD OR PROCESS DISCLOSED IN THESE DRAWINGS. NO LIABILITY IS ASSUMED WITH RESPECT TO THE USE OF, OR FOR DAMAGES RESULTING FROM THE USE OF, ANY INFORMATION, APPARATUS, METHOD OR PROCESS DISCLOSED IN THESE DRAWINGS. DRAWINGS MADE AVAILABLE FOR INFORMATION TO OTHERS ARE NOT TO BE USED FOR OTHER PURPOSES, AND ARE TO BE RETURNED UPON REQUEST OF THE FORMING CONTRACTOR.

P THIS DRAWING PRODUCED ON PRO-ENGINEER

SE1405-100