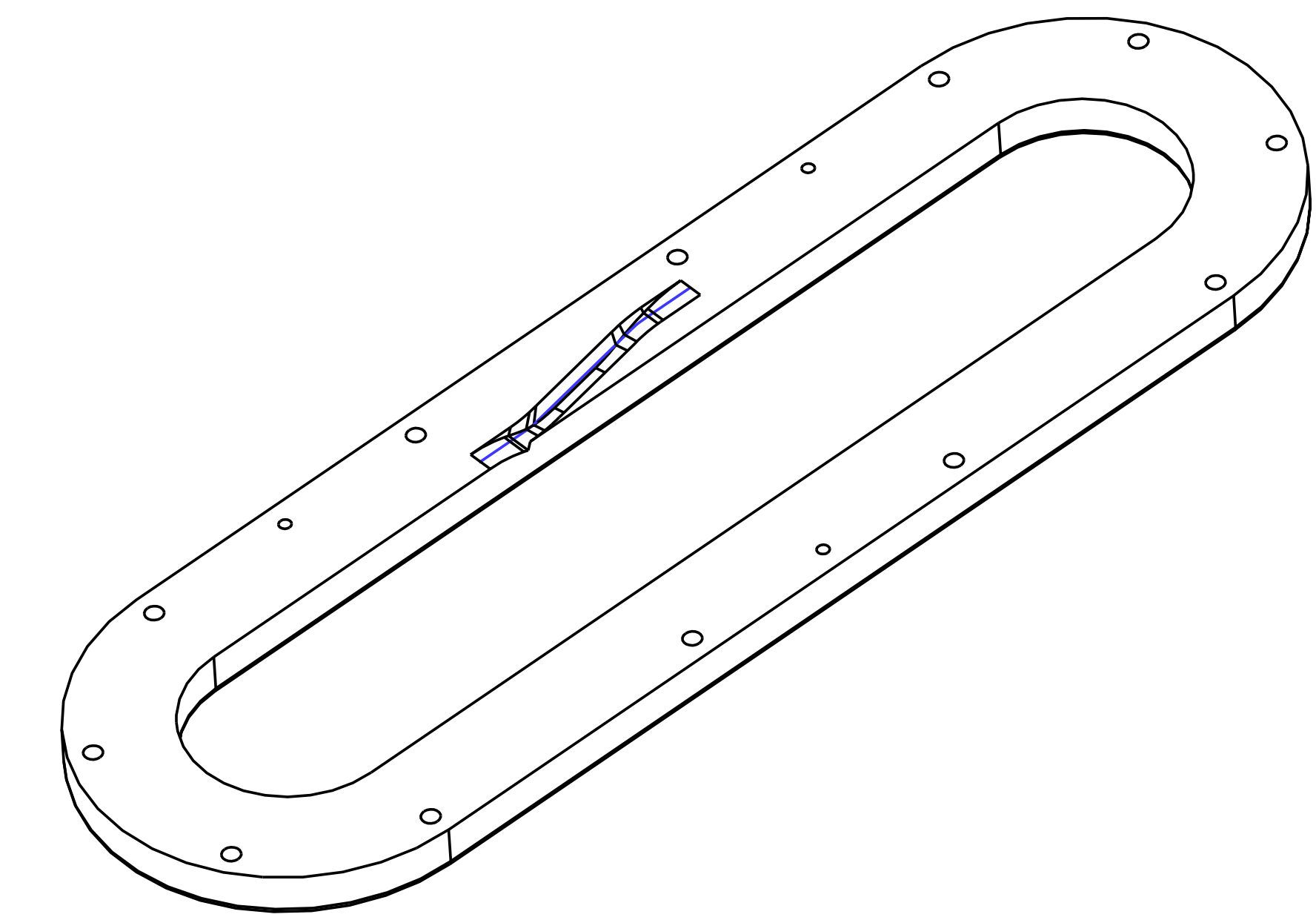
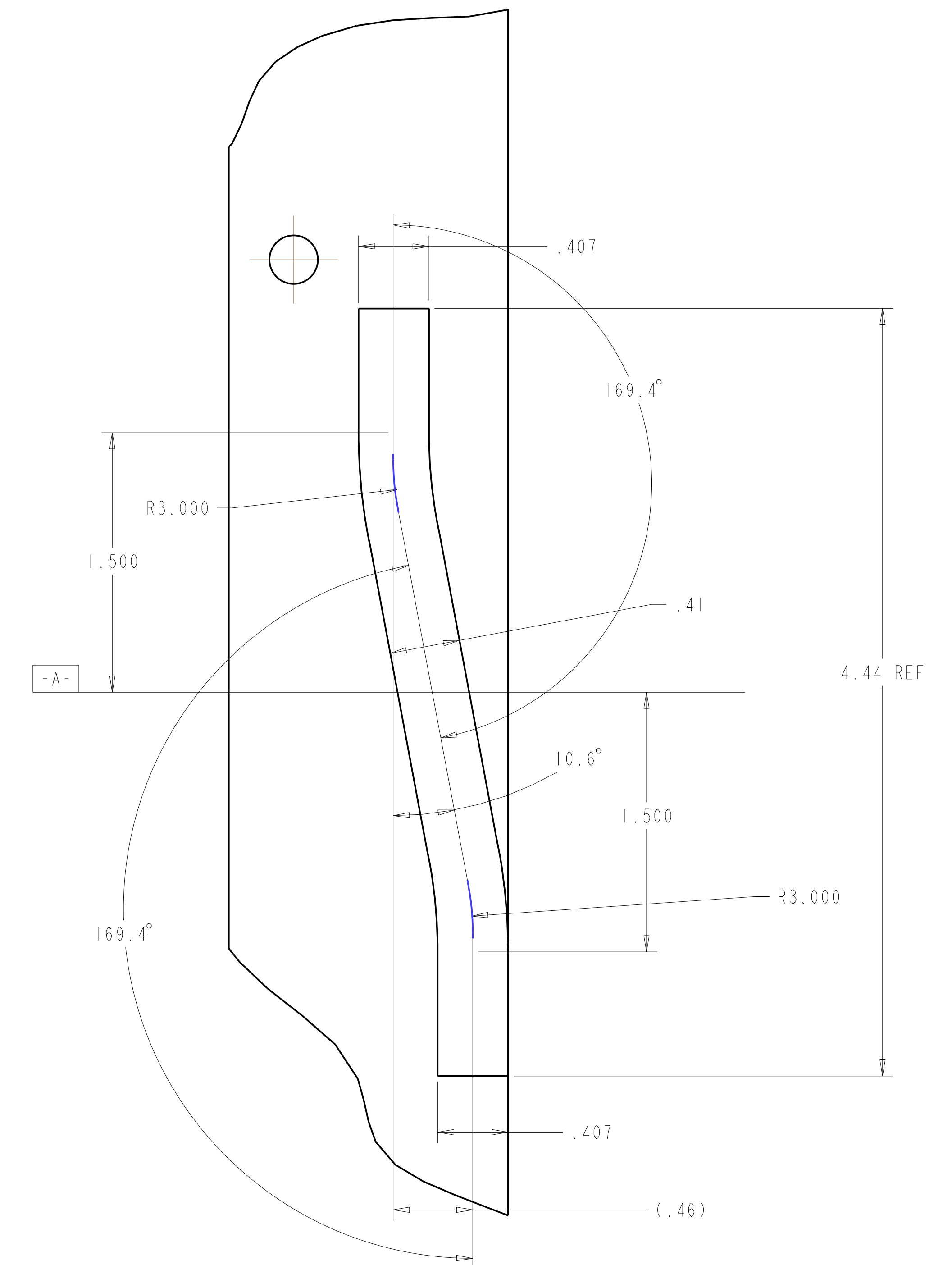


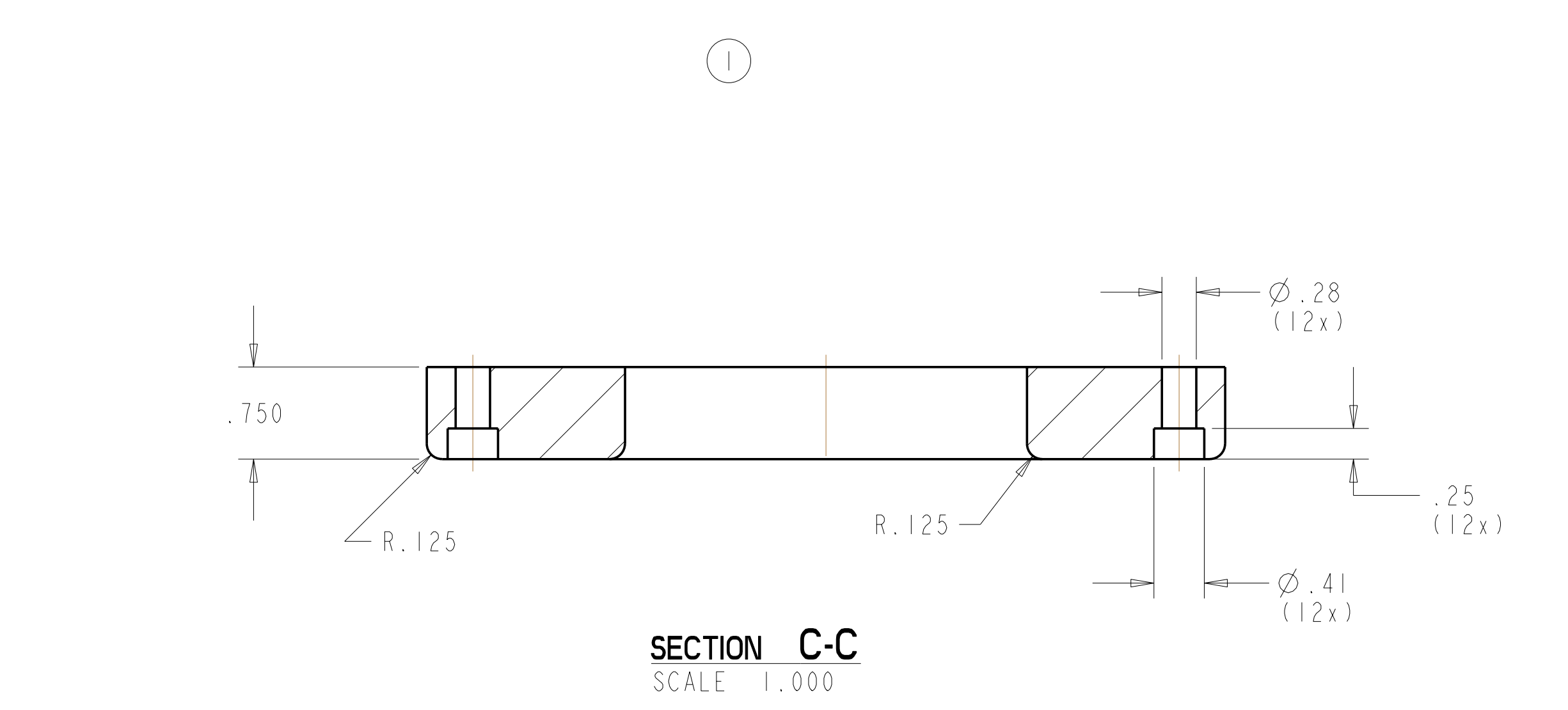
NOTES:
 1. INTERPRET DIMENSIONS AND TOLERANCES PER ANSI Y14.5M
 2. DIMENSIONS ARE IN INCHES.
 3. REMOVE ALL DIRT, GREASE AND OIL. VISUALLY INSPECT AFTER CLEANING.
 4. MATCH REAM AT ASSEMBLY. SEE DRAWING SE1405-100



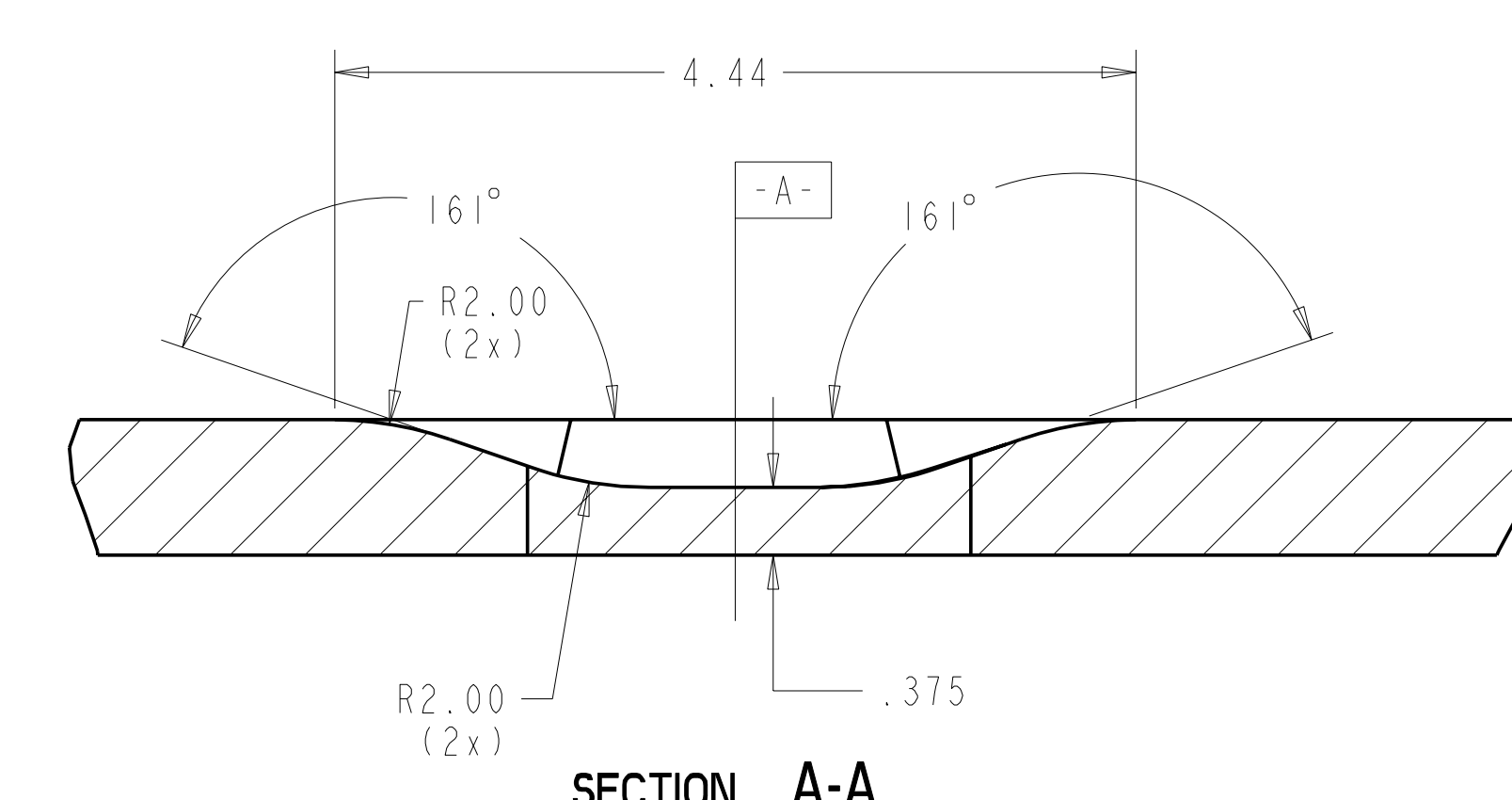
ISOMETRIC VIEW
 SCALE 0.500



DETAIL D
 SCALE 2.000



SECTION C-C
 SCALE 1.000



SECTION A-A

FOR COMMENT ONLY

CAGE CODE	PART OR IDENTIFYING NO	NOMENCLATURE OR DESCRIPTION	MATERIAL	SSTL.	316 L	1
SE1405-101	BASEPLATE	SS316L	316 L			

SCALE	DESIGNER	DATE	DRW	DATE
XX	P. J. FOGARTY	1-20-04	G. FORTIER	1-20-04

REV	DESCRIPTION	BY	DATE	CHK	DEPT	DATE	PE	REQ	DATE	ORNL	DOE	DATE

VERSION NO.	PLANT	BLDG	FL	SHT OF	TYPE	CLASS

RELEASE LEVEL	REV
WIP	0

NO REPRESENTATION OR WARRANTY, EXPRESSED OR IMPLIED, IS MADE AS TO THE ACCURACY, COMPLETENESS OR USEFULNESS OF THE INFORMATION OR STATEMENTS CONTAINED IN THESE DRAWINGS, OR THAT THE USE OR DISCLOSURE OF ANY INFORMATION, APPARATUS, METHOD OR PROCESS DISCLOSED IN THESE DRAWINGS MAY NOT INFRINGE PRIVATE RIGHTS OF OTHERS. NO LIABILITY IS ASSUMED WITH RESPECT TO THE USE OF, OR FOR DAMAGES RESULTING FROM THE USE OF, ANY INFORMATION, APPARATUS, METHOD OR PROCESS DISCLOSED IN THESE DRAWINGS. DRAWINGS MADE AVAILABLE FOR INFORMATION TO BIDDER ARE NOT TO BE USED FOR OTHER PURPOSES, AND ARE TO BE RETURNED UPON REQUEST OF THE FORWARDING CONTRACTOR.

P THIS DRAWING PRODUCED ON PRO-ENGINEER

H
G
F
E
D
C
B
A

SE1405-101