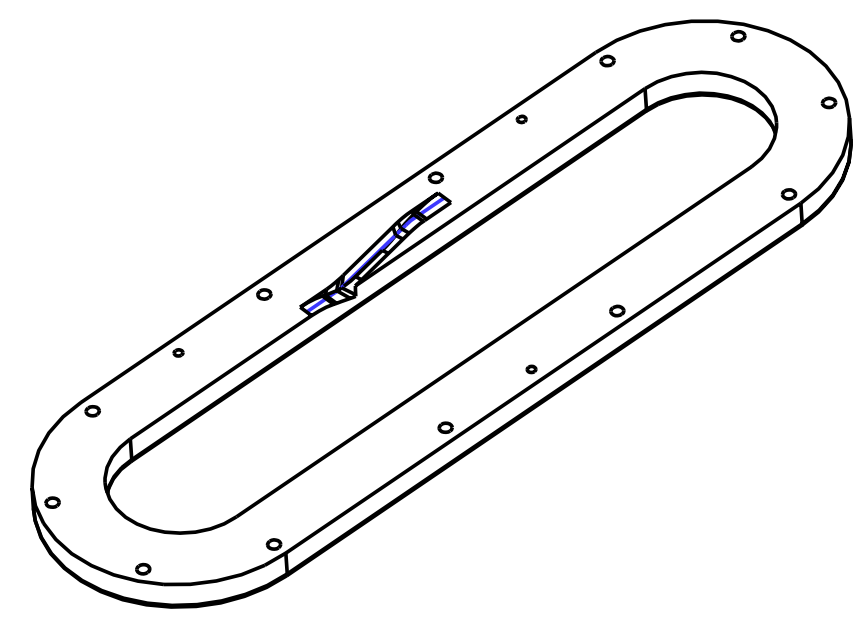
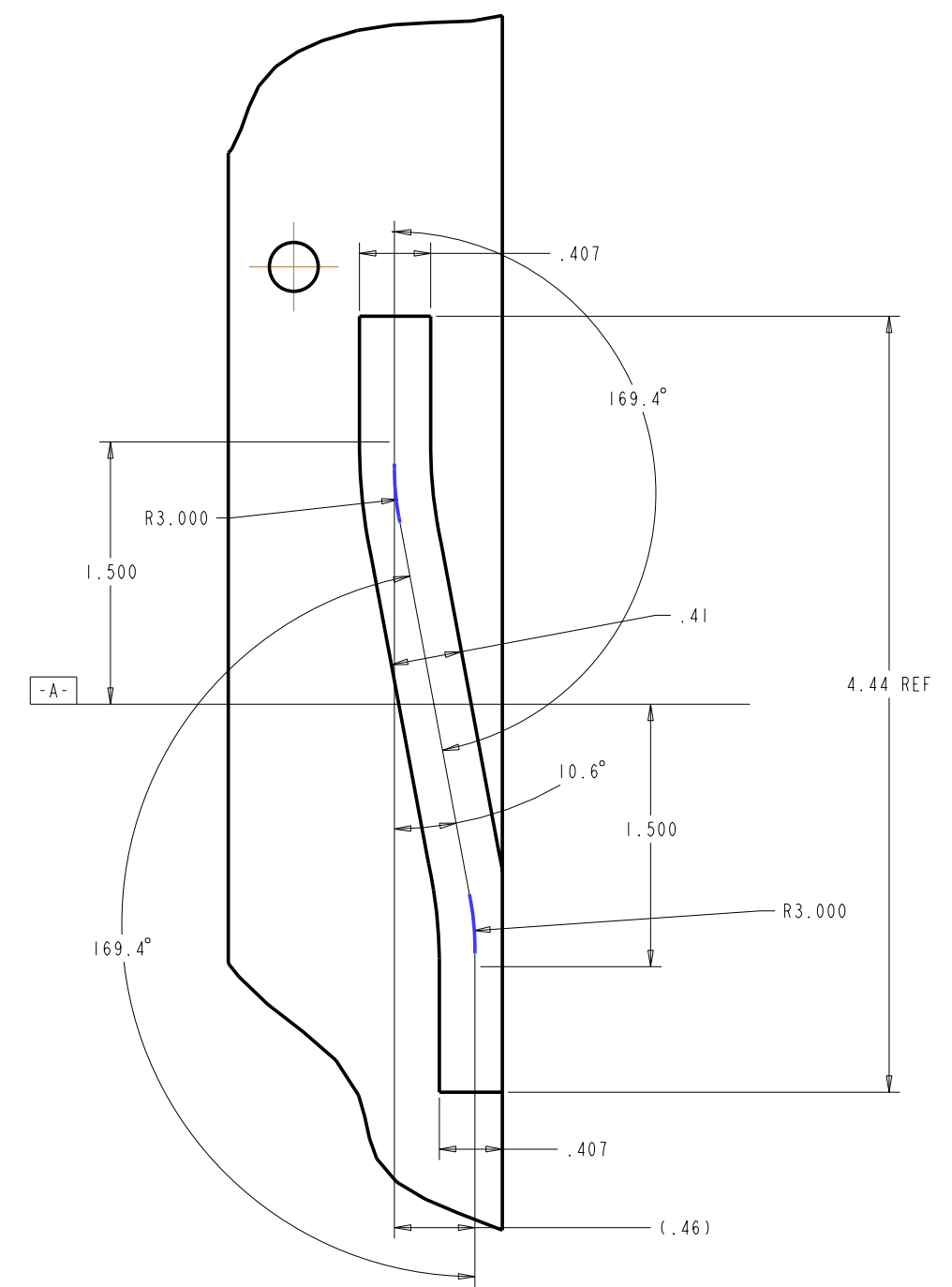


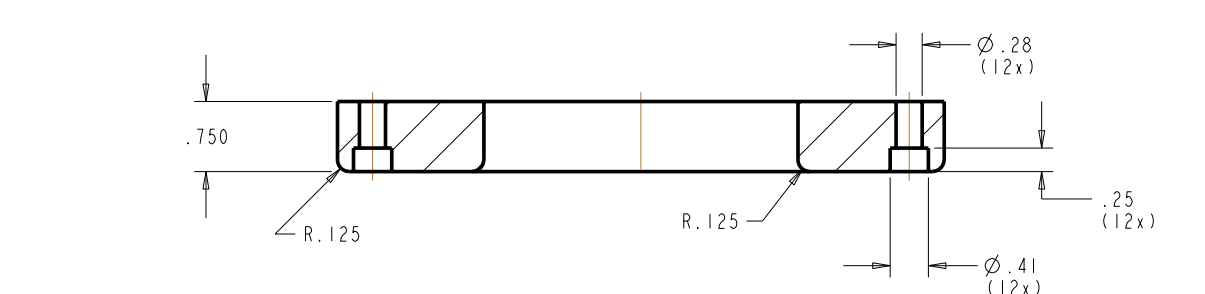
- NOTES:  
 1. INTERPRET DIMENSIONS AND TOLERANCES PER ANSI Y14.5M  
 2. DIMENSIONS ARE IN INCHES.  
 3. REMOVE ALL DIRT, GREASE AND OIL. VISUALLY INSPECT AFTER CLEANING.  
 4. MATCH REAM AT ASSEMBLY. SEE DRAWING SE1405-100



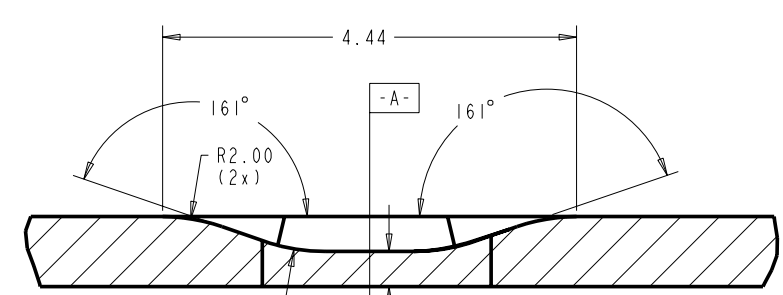
ISOMETRIC VIEW  
SCALE 0.500



DETAIL D  
SCALE 2.000



SECTION C-C  
SCALE 1.000



SECTION A-A

FOR COMMENT ONLY

CAGE CODE	PART OR IDENTIFYING NO	NOMENCLATURE OR DESCRIPTION	MATERIAL	SPECIFICATION	FIND NO
SE1405-101	BASEPLATE	SSTL.	316 L		

SCALE	DESIGNER	DATE
XX	P. J. FOGARTY	1-20-04
	G. FORTIER	1-20-04

REV	DESCRIPTION	BY	DATE	CHK	DEPT	DATE	PE	REQ	DATE	ORNL	DOE	DATE

VERSION NO.	PLANT	BLOG	FL	SMT	OF	TYPE	CLASS
000	ORNL	5700	3	1	1	D	U

RELEASE LEVEL	WIP
SE1405-101	0

NO REPRESENTATION OR WARRANTY, EXPRESSED OR IMPLIED, IS MADE AS TO THE ACCURACY, COMPLETENESS OR USEFULNESS OF THE INFORMATION OR STATEMENTS CONTAINED IN THESE DRAWINGS, OR THE USE OR DISCLOSURE OF ANY INFORMATION, APPARATUS, METHOD OR PROCESS DISCLOSED IN THESE DRAWINGS. NO LIABILITY IS ASSUMED WITH RESPECT TO THE USE OF, OR FOR DAMAGES RESULTING FROM THE USE OF, ANY INFORMATION, APPARATUS, METHOD OR PROCESS DISCLOSED IN THESE DRAWINGS. DRAWINGS MADE AVAILABLE FOR INFORMATION TO OTHERS ARE NOT TO BE USED FOR OTHER PURPOSES, AND ARE TO BE RETURNED UPON REQUEST OF THE FORMING CONTRACTOR.

**P** THIS DRAWING PRODUCED ON PRO-ENGINEER

SE1405-101