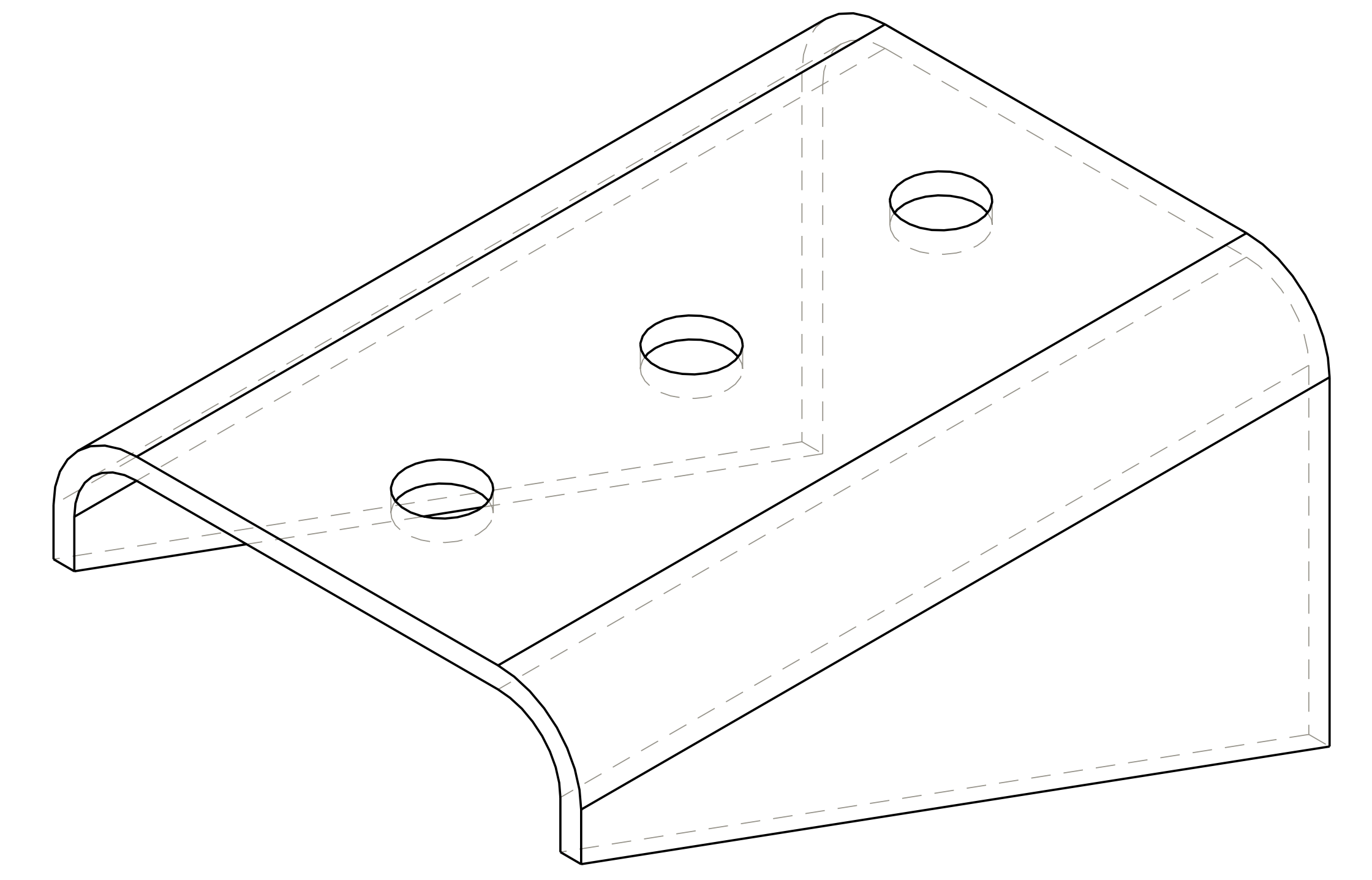
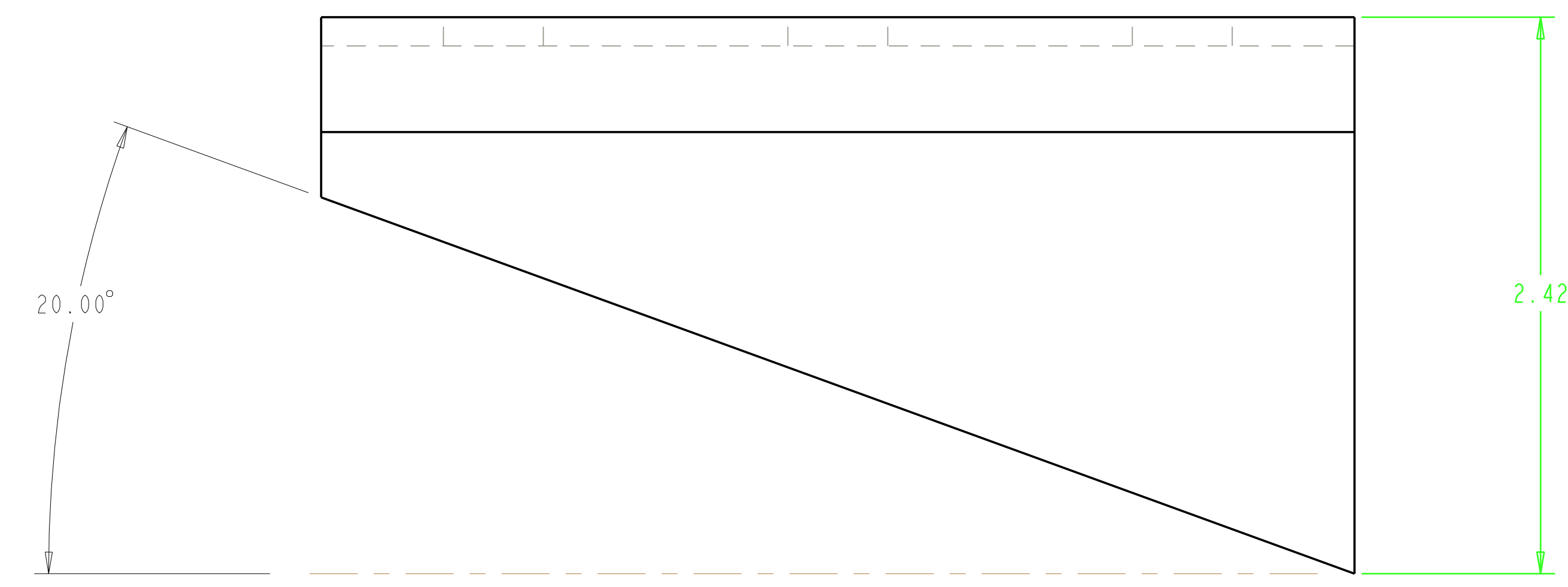
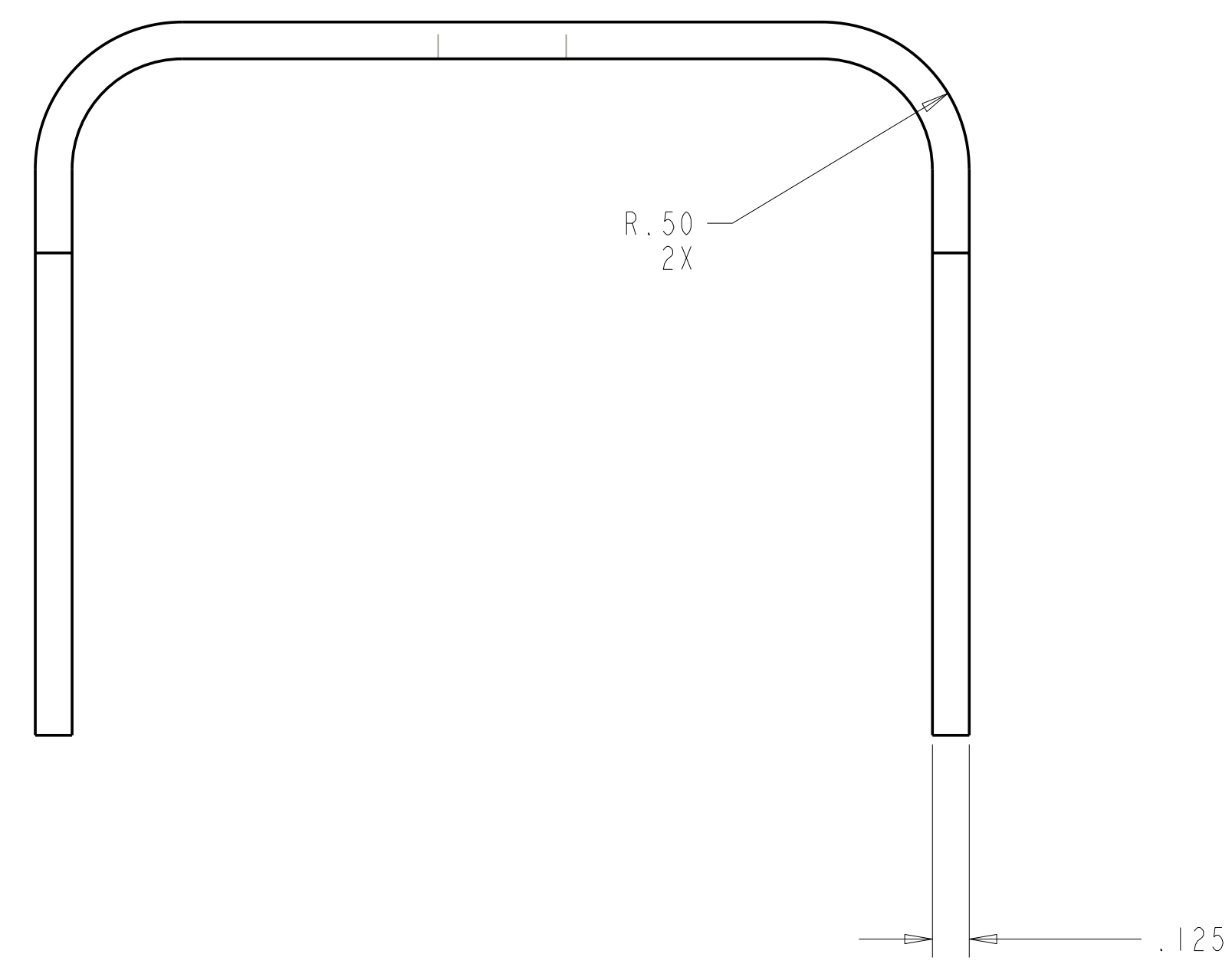


- NOTES:
1. INTERPRET DIMENSIONS AND TOLERANCES PER ANSI Y14.5M
 2. DIMENSIONS ARE IN INCHES
 3. DIMENSIONS APPLY AT ROOM TEMPERATURE. OPERATING TEMP 80 K.
 4. GEOMETRY IS DEFINED IN PRO ENGINEER CAD MODELS/FILES SEI406.027.PRT
 5. DRAWING AND MODELS COMBINED DEFINE FINISHED MACHINED PART.



ISOMETRIC VIEW

next assy	SEI405-040	SEI406-027	MOUNTING BRACKET	SS304		
	CAGE CODE	PART OR IDENTIFYING NO	NOMENCLATURE OR DESCRIPTION	MATERIAL	SPECIFICATION	FIND NO
		NEXT ASSEMBLY	PARTS LIST			

<p>NO REPRESENTATION OR WARRANTY, EXPRESSED OR IMPLIED, IS MADE AS TO THE ACCURACY, COMPLETENESS OR USEFULNESS OF THE INFORMATION OR STATEMENTS CONTAINED IN THESE DRAWINGS, OR THAT THE USE OR DISCLOSURE OF ANY INFORMATION, APPARATUS, METHOD OR PROCESS DISCLOSED IN THESE DRAWINGS MAY NOT INFRINGE PRIVATE RIGHTS OF OTHERS. NO LIABILITY IS ASSUMED WITH RESPECT TO THE USE OF, OR FOR DAMAGES RESULTING FROM THE USE OF, ANY INFORMATION, APPARATUS, METHOD OR PROCESS DISCLOSED IN THESE DRAWINGS. DRAWINGS MADE AVAILABLE FOR INFORMATION TO BIDDER ARE NOT TO BE USED FOR OTHER PURPOSES, AND ARE TO BE RETURNED UPON REQUEST OF THE FORWARDING CONTRACTOR.</p>										<p>P THIS DRAWING PRODUCED ON PRO-ENGINEER</p>									
<p>SCALE NOTED</p> <p>TOLERANCES UNLESS OTHERWISE SPECIFIED</p> <p>FRACTIONS ± .01</p> <p>XX DECIMALS ± .005</p> <p>XXX DECIMALS ± .0015</p> <p>ANGLES ± 0'15"</p> <p>BREAK SHARP EDGES .06 MAX</p> <p>FINISH .125 UNLESS OTHERWISE SPECIFIED</p>										<p>DES: D WILLIAMSON 5-3-04</p> <p>DRW: G LOVETT 5-3-04</p> <p>CHK: : :</p> <p>SECT: : :</p> <p>DEPT: : :</p> <p>PE: : :</p> <p>CR: : :</p> <p>PJ: : :</p> <p>RED: : :</p> <p>PPPL DRFT: : :</p> <p>VERSION NO. : X-10</p> <p>PLANT : 5700</p> <p>BLDG : 3</p> <p>FL : 1</p> <p>SHT OF : 1</p> <p>TYPE : S</p> <p>CLASS : U</p> <p>RELEASE LEVEL : WIP</p> <p>DRAWING APPROVALS : DATE</p>									
<p>UT-BATTELLE</p> <p>NATIONAL COMPACT STELLARATOR EXPERIMENT</p> <p>BLOCK MOUNTING BRACKET</p>										<p>Oak Ridge National Laboratory managed for the DEPARTMENT OF ENERGY under U.S. GOVERNMENT contract DE-AC05-00OR22725 UT-BATTELLE, LLC. Oak Ridge, Tennessee</p>									
REV	DESCRIPTION	BY	DATE	CHK	DEPT	DATE	PE	REQ	DATE	ORNL	DOE	DATE							
REVISION OR ISSUE PURPOSE										REVISION APPROVAL									

H
G
F
E
D
C
B
A

H
G
F
E
D
C
B
A

SEI406-027