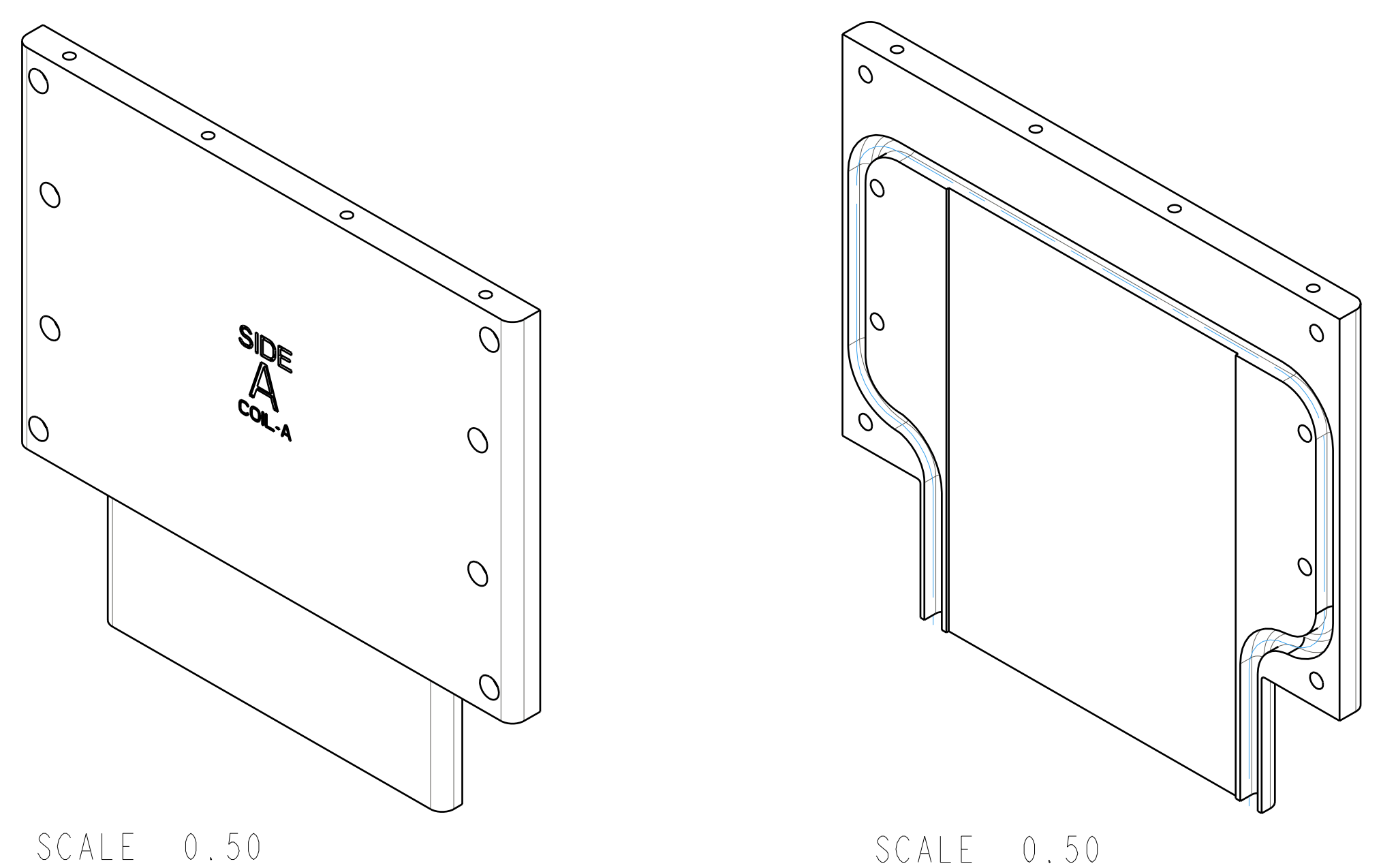
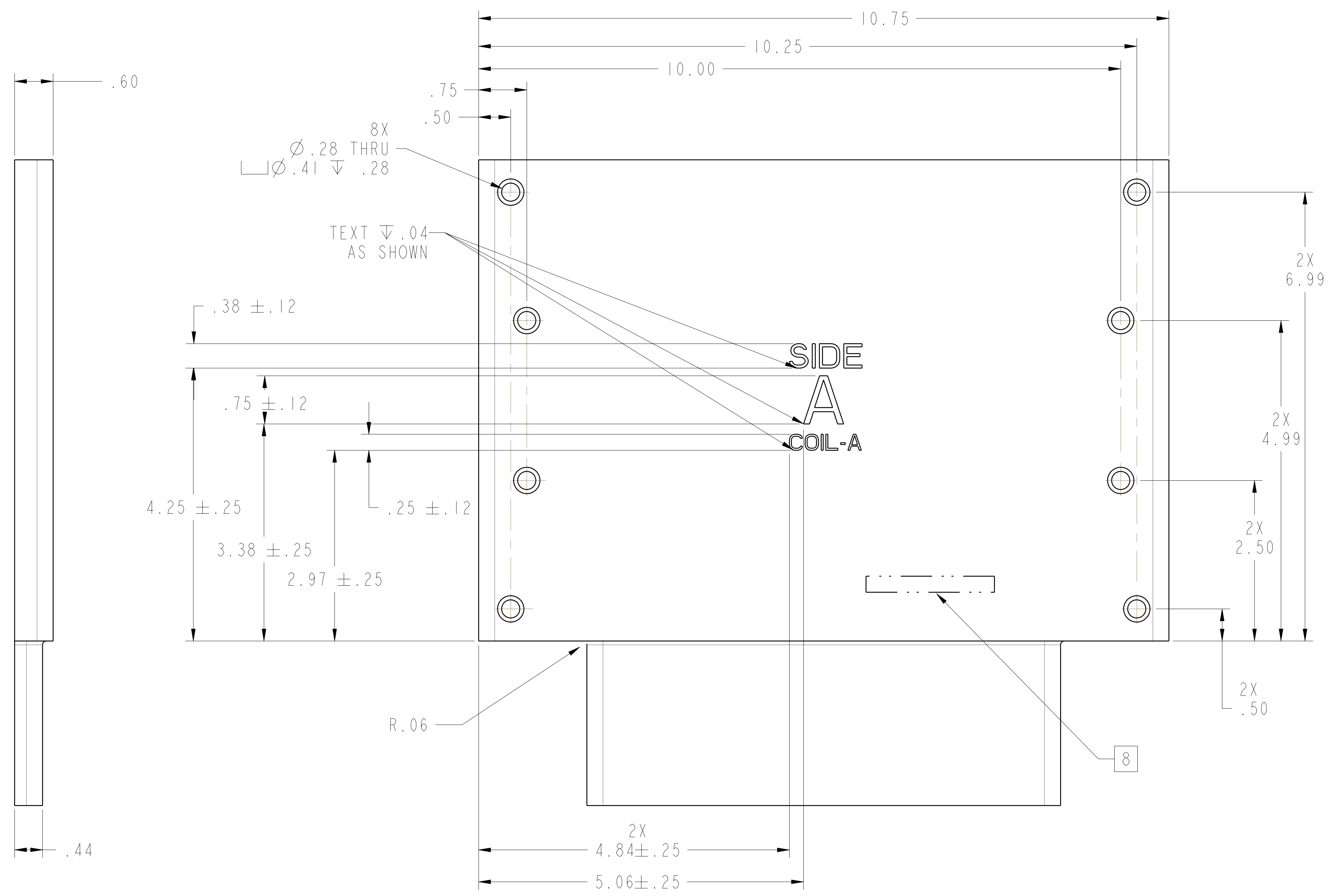
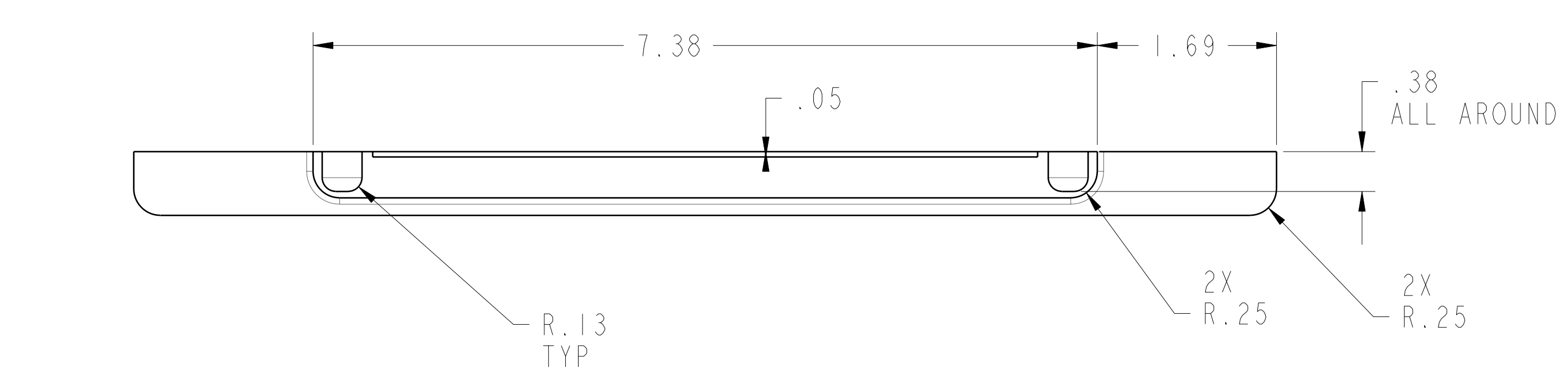
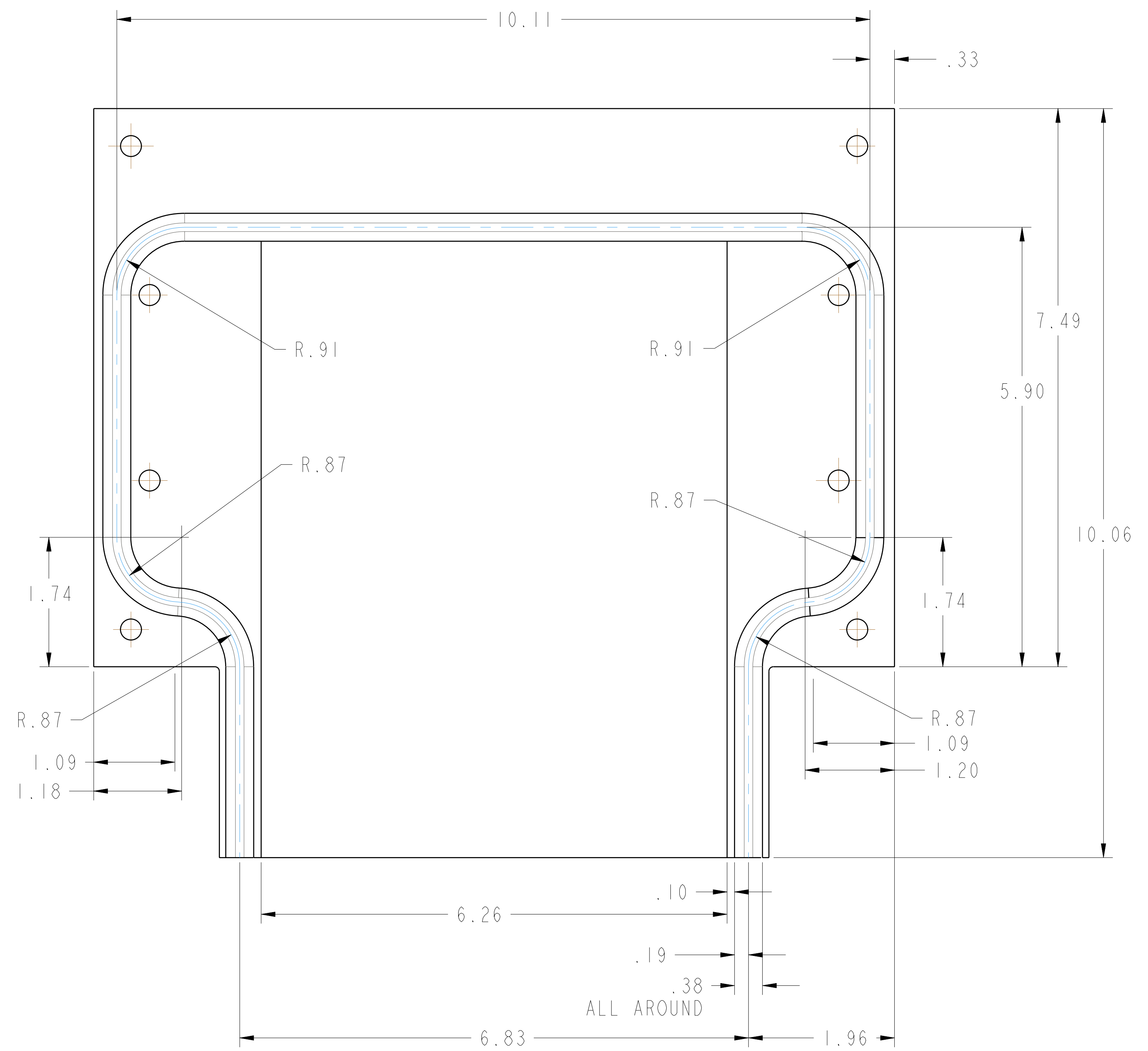
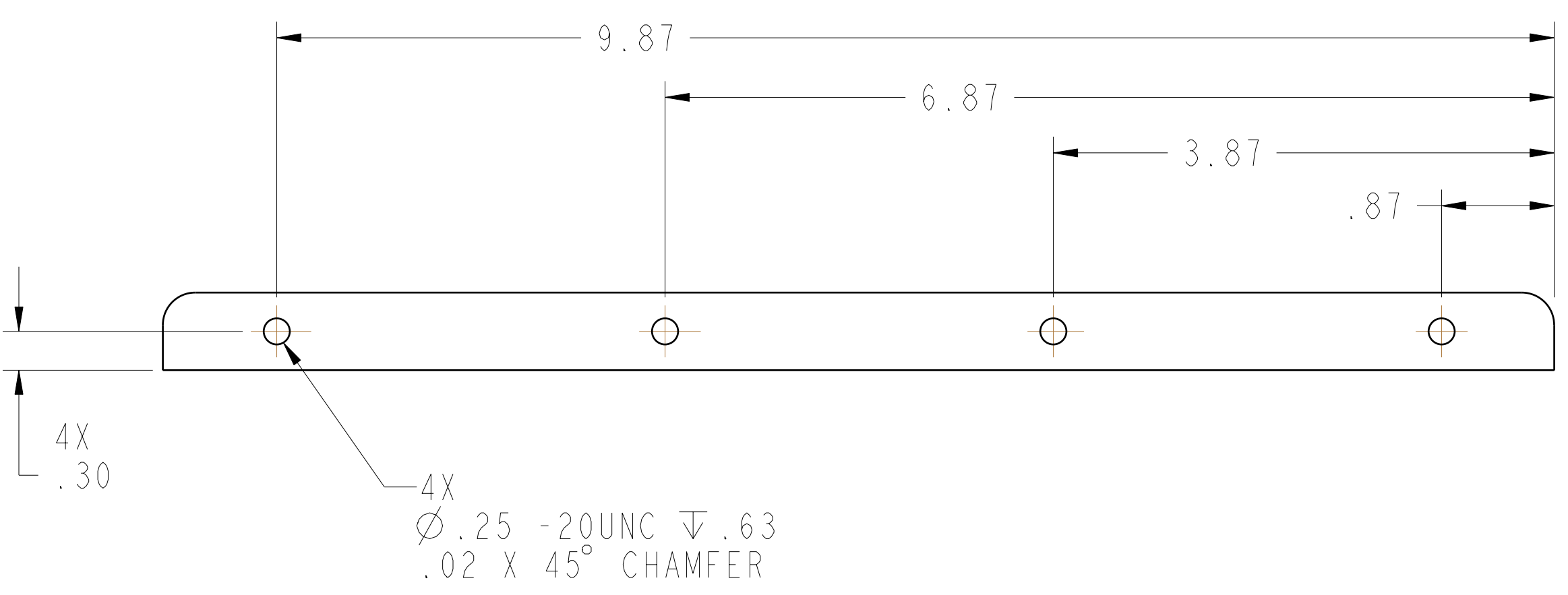


- NOTES:
 1. DRAWING PREPARED IN ACCORDANCE WITH ASME Y14.100-2000.
 2. INTERPRET DIMENSIONS AND TOLERANCES PER ANSI Y14.5M
 3. DIMENSIONS ARE IN INCHES
 4. DIMENSIONS APPLY AT ROOM TEMPERATURE. OPERATING TEMP 80 K.
 5. GEOMETRY IS DEFINED IN PRO ENGINEER CAD MODELS/FILES SEI42A-220.PRT
 6. DRAWING AND MODELS COMBINED DEFINE FINISHED MACHINED PART.
 7. IN THE EVENT OF A DISCREPANCY BETWEEN THE CAD MODEL AND DRAWING, THE CAD MODEL SHALL TAKE PRECEDENCE.

8. MARK DRAWING NUMBER AND REVISION WITH 1/4 INCH HIGH LETTERS IN THE AREA SHOWN.



ISOMETRIC VIEWS

1
 SCALE 1.00
 WEIGHT = 3.9 LBS

RELEASED FOR FABRICATION / INSTALLATION
 PPPL Drafting:

next assy	AR	-1	SIDE "A" SIDE PLATE	NEMA GRADE G11CR	I
CAGE CODE	PART OR IDENTIFYING NO	NOMENCLATURE OR DESCRIPTION	MATERIAL	SPECIFICATION	FIND NO
SEI42A-100		NEXT ASSEMBLY		PARTS LIST	

SCALE NOTED	DES	02/06	UT-BATTELLE									
TOLERANCES UNLESS OTHERWISE SPECIFIED	DRW	G LOVETT	Oak Ridge National Laboratory managed for the DEPARTMENT OF ENERGY under U.S. GOVERNMENT contract DE-AC05-00OR22725 UT-BATTELLE, LLC, Oak Ridge, Tennessee									
FRACTIONS	CHK	M COLE	NATIONAL COMPACT STELLARATOR EXPERIMENT									
XX DECIMALS ±.01	PE	D WILLIAMSON	MODULAR COIL TYPE-A									
XXX DECIMALS ±.005	CR		SIDE-A SIDE PLATE									
ANGLES ±0°15'	PJ		DETAIL									
BREAK SHARP EDGES .06 MAX	REG		PPPL DRFT	J SIEGLE	02/06	VERSION NO.	PLANT	BLDG	FL	SHT OF	TYPE	CLASS
FINISH .125 UNLESS OTHERWISE SPECIFIED						13	X-10	5700	3	1	S	U
												REV
												0

NO REPRESENTATION OR WARRANTY, EXPRESSED OR IMPLIED, IS MADE AS TO THE ACCURACY, COMPLETENESS OR USEFULNESS OF THE INFORMATION OR STATEMENTS CONTAINED IN THESE DRAWINGS, OR THAT THE USE OR DISCLOSURE OF ANY INFORMATION, APPARATUS, METHOD OR PROCESS DISCLOSED IN THESE DRAWINGS MAY NOT INFRINGE PRIVATE RIGHTS OF OTHERS. NO LIABILITY IS ASSUMED WITH RESPECT TO THE USE OF, OR FOR DAMAGES RESULTING FROM THE USE OF, ANY INFORMATION, APPARATUS, METHOD OR PROCESS DISCLOSED IN THESE DRAWINGS. DRAWINGS MADE AVAILABLE FOR INFORMATION TO BIDDER ARE NOT TO BE USED FOR OTHER PURPOSES, AND ARE TO BE RETURNED UPON REQUEST OF THE FORWARDING CONTRACTOR.

P THIS DRAWING PRODUCED ON PRO-ENGINEER

REV	DESCRIPTION	BY	DATE	CHK	DEPT	DATE	PE	REG	DATE	ORNL	DOE	DATE
	REVISION OR ISSUE PURPOSE											

H
G
F
E
D
C
B
A