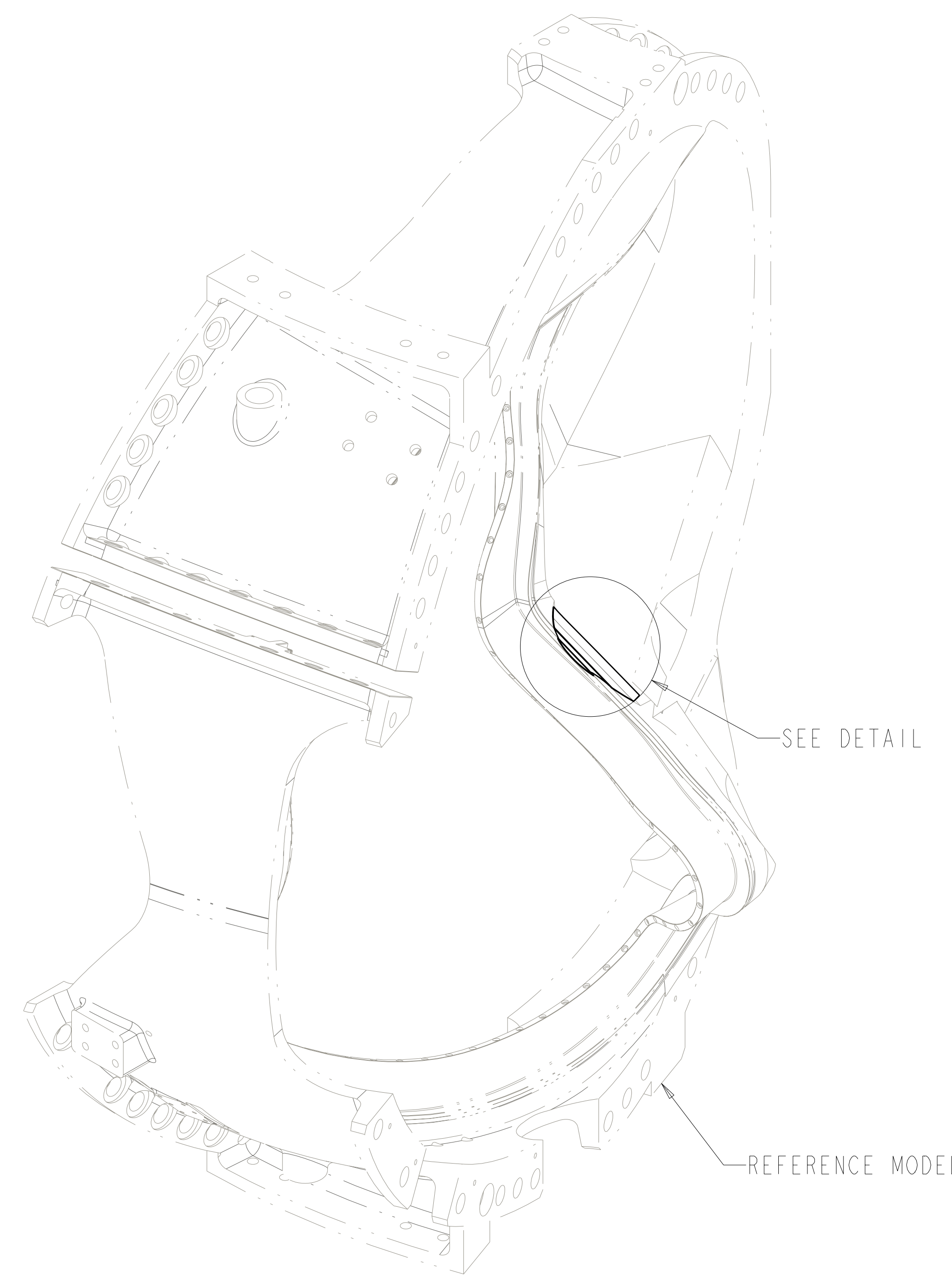
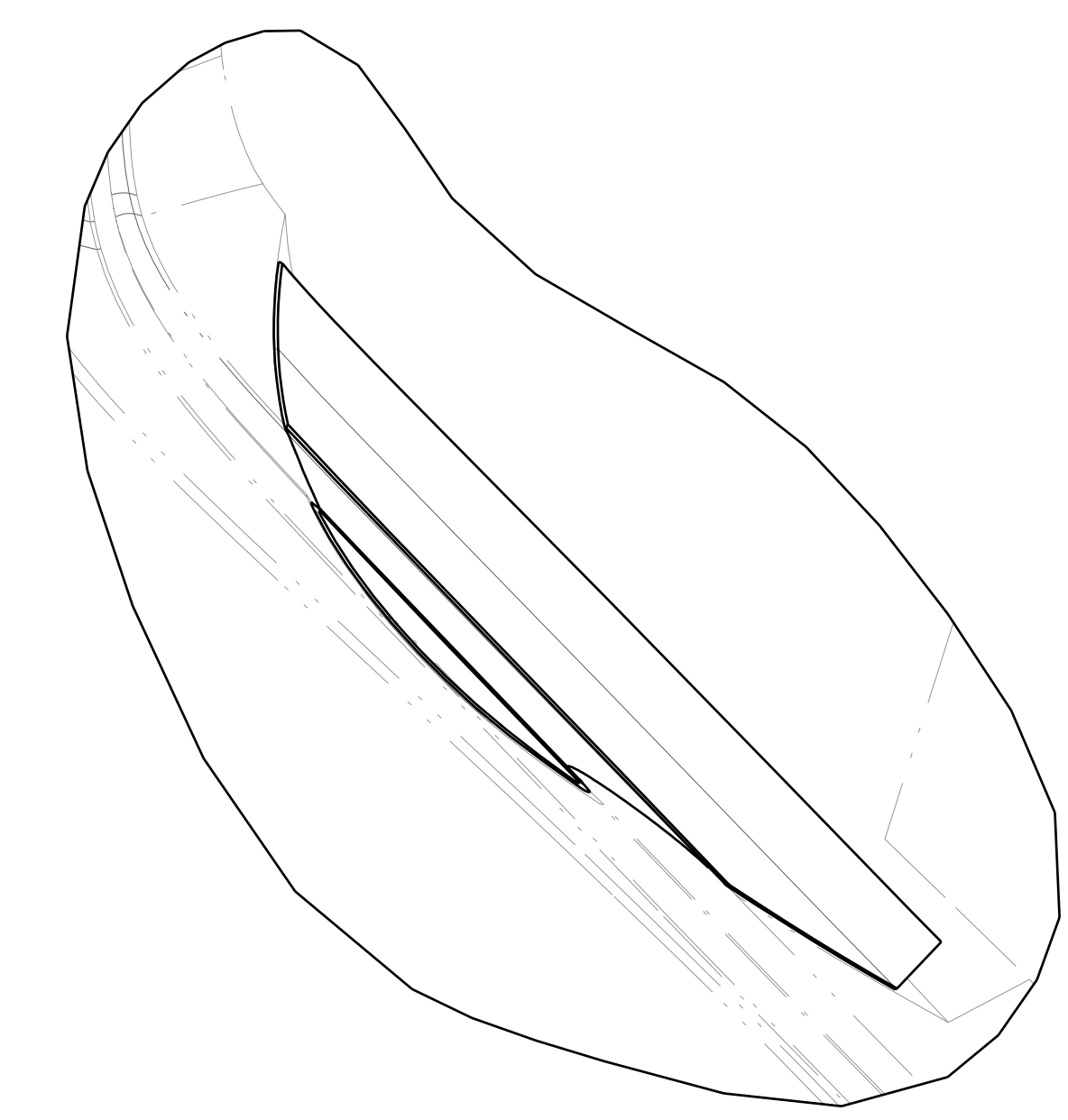


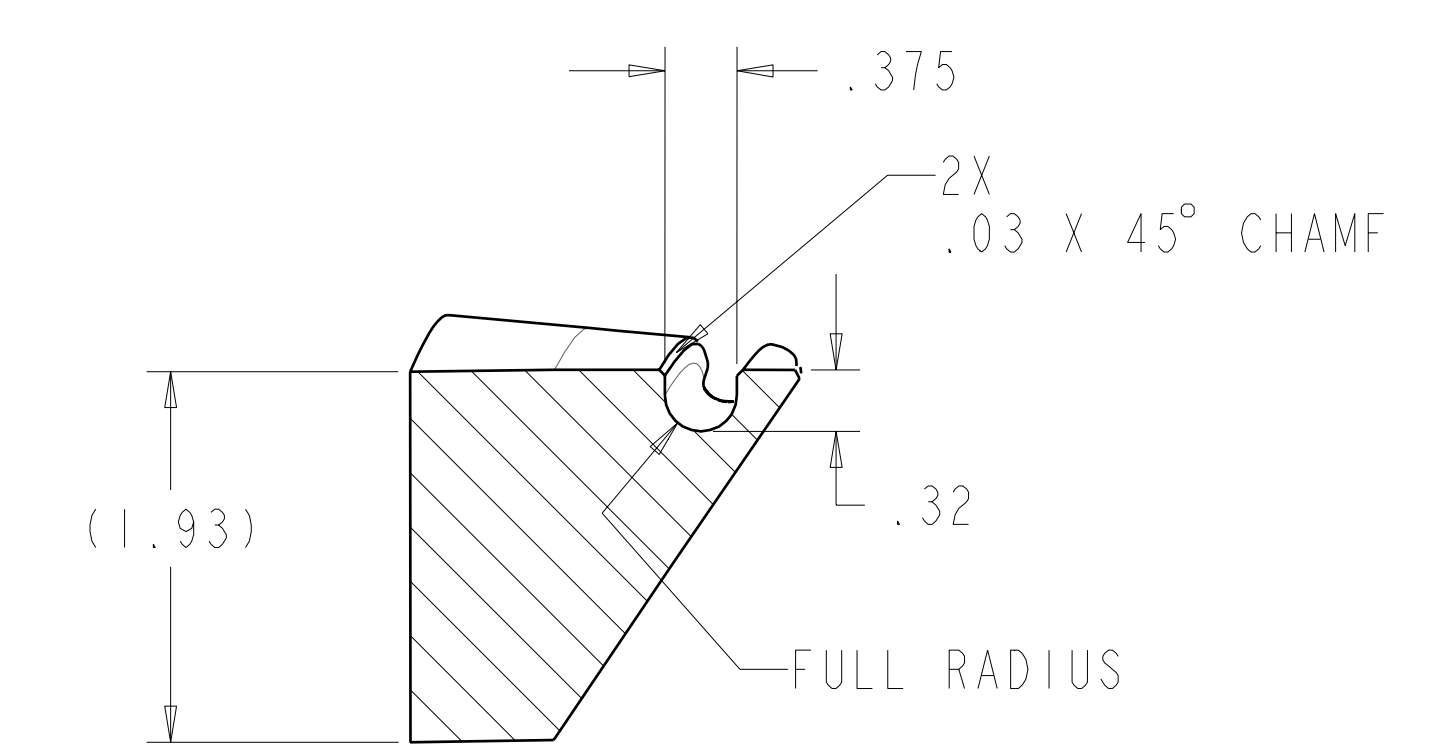
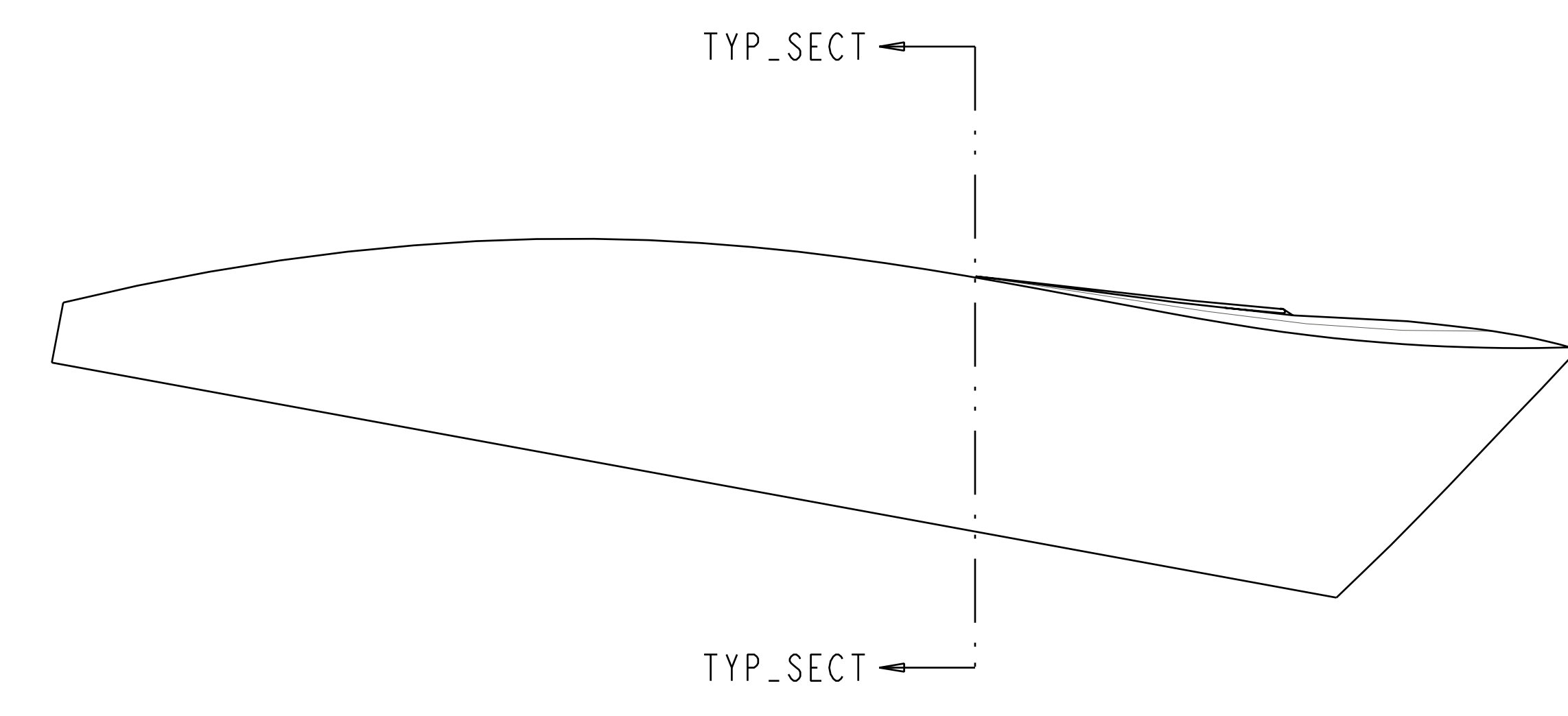
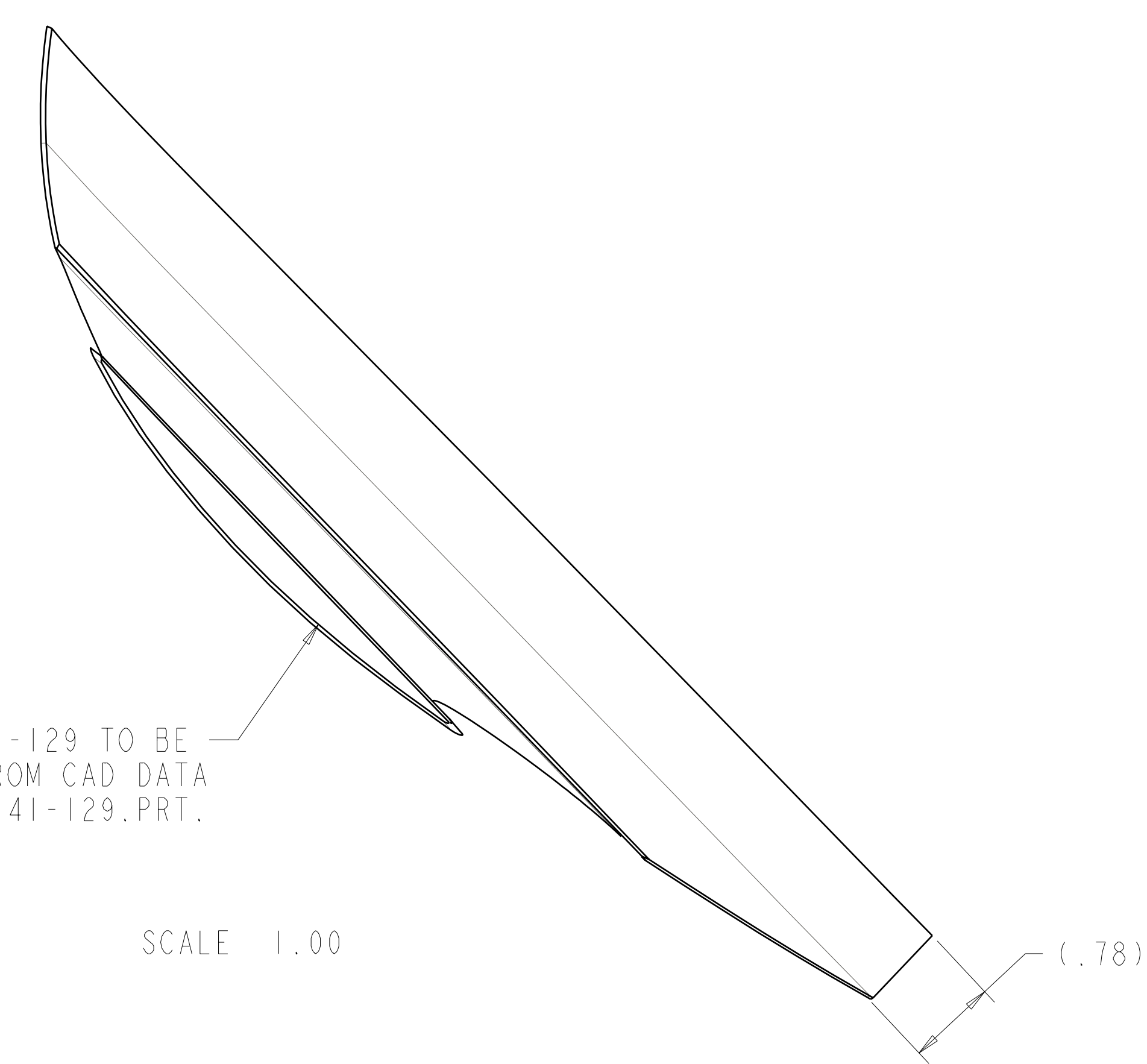
- NOTES:
1. DRAWING PREPARED IN ACCORDANCE WITH ASME Y14.100-2004.
 2. INTERPRET DIMENSIONS AND TOLERANCES PER ANSI Y14.5M-1994.
 3. DIMENSIONS ARE IN INCHES.
 4. GEOMETRY IS DEFINED IN PRO/ENGINEER MODEL SEI141-129.PRT.
 5. UNLESS OTHERWISE SPECIFIED, ALL MACHINED SURFACES SHALL HAVE A PROFILE TOLERANCE ± 0.01 IN.
 6. BREAK SHARP EDGES .06 MAX



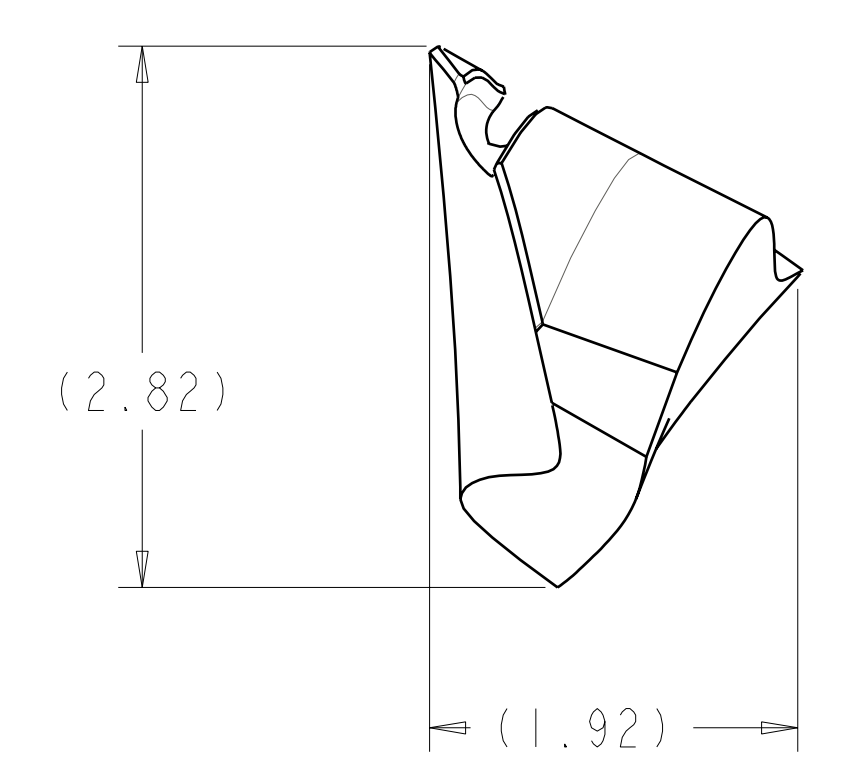
SCALE 0.13



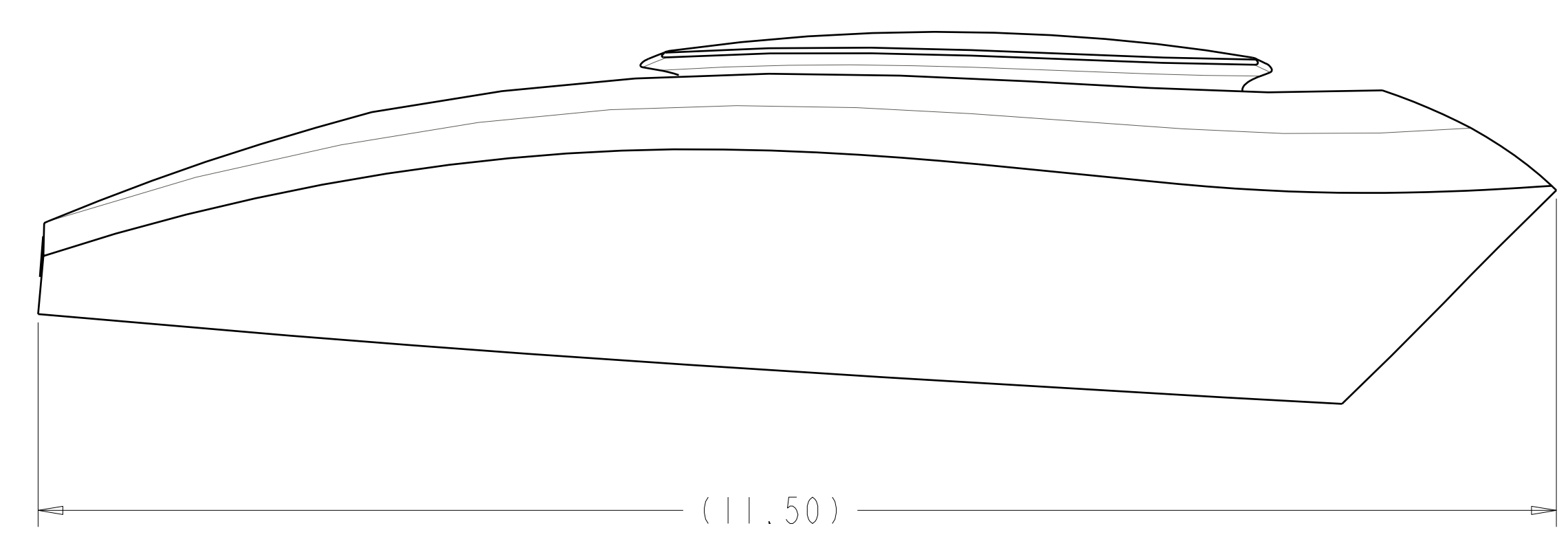
PART SEI141-129 TO BE
CONSTRUCTED FROM CAD DATA
PROVIDED IN FILE SEI141-129.PRT.



TYP SECTION
SCALE 1.00



SCALE 1.00



1

WEIGHT = 5.1 LBS

**RELEASED FOR
FABRICATION / INSTALLATION**

PPPL Drafting:

CAGE CODE	PART OR IDENTIFYING NO	FILLER PIECE NOMENCLATURE OR DESCRIPTION	UNS S31600 MATERIAL	SPECIFICATION	FIND NO
SEI141-129					

← NEXT ASSEMBLY

PARTS LIST

NO REPRESENTATION OR WARRANTY, EXPRESSED OR IMPLIED, IS MADE AS TO THE ACCURACY, COMPLETENESS OR USEFULNESS OF THE INFORMATION OR STATEMENTS CONTAINED IN THESE DRAWINGS, OR THAT THE USE OR DISCLOSURE OF ANY INFORMATION, APPARATUS, METHOD OR PROCESS DISCLOSED IN THESE DRAWINGS MAY NOT INFRINGE PRIVATE RIGHTS OF OTHERS. NO LIABILITY IS ASSUMED WITH RESPECT TO THE USE OF, OR FOR DAMAGES RESULTING FROM THE USE OF, ANY INFORMATION, APPARATUS, METHOD OR PROCESS DISCLOSED IN THESE DRAWINGS. DRAWINGS MADE AVAILABLE FOR INFORMATION TO BIDDER ARE NOT TO BE USED FOR OTHER PURPOSES, AND ARE TO BE RETURNED UPON REQUEST OF THE FORWARDING CONTRACTOR.

P THIS DRAWING PRODUCED ON PRO-ENGINEER

REV	DESCRIPTION	BY	DATE	CHK	DEPT	DATE	PE	REQ	DATE	ORNL	DOE	DATE

SCALE NOTED	DES: D WILLIAMSON 3/06
TOLERANCES UNLESS OTHERWISE SPECIFIED	DRW: G LOVETT 3/06
FRACTIONS	CHK: MIKE COLE 3/06
XX DECIMALS ±.01	SECT: :
XXX DECIMALS ±.005	DEPT: :
ANGLES ±0°15'	PE: D WILLIAMSON 3/06
BREAK SHARP EDGES .06 MAX	CR: :
FINISH .125 UNLESS OTHERWISE SPECIFIED	PJ: :
	RD: :
	PPPL DRFT: J STEGEL 3/06
	DATE: :
	DRAWING APPROVALS: DATE: :

UT-BATTELLE		Oak Ridge National Laboratory managed for the DEPARTMENT OF ENERGY under U.S. GOVERNMENT contract DE-AC05-00OR22725 UT-BATTELLE, LLC, Oak Ridge, Tennessee	
NATIONAL COMPACT STELLARATOR EXPERIMENT			
MODULAR COIL TYPE-A VPI GROOVE FILLER PIECE			
VERSION NO. 5	PLANT X-10	BLDG 5700	FL 3
RELEASE LEVEL Fabrication	SEI141-129	REV 0	