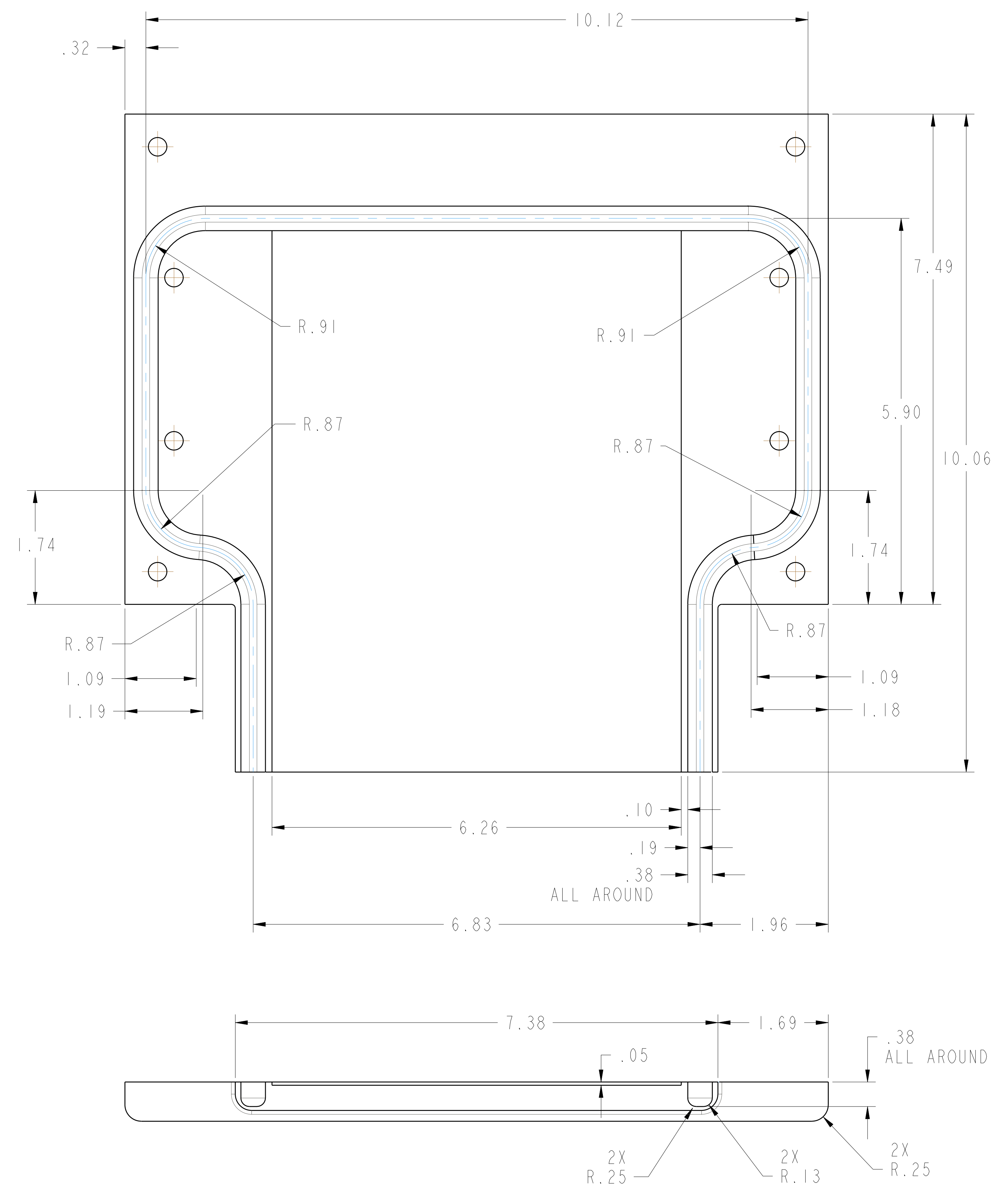
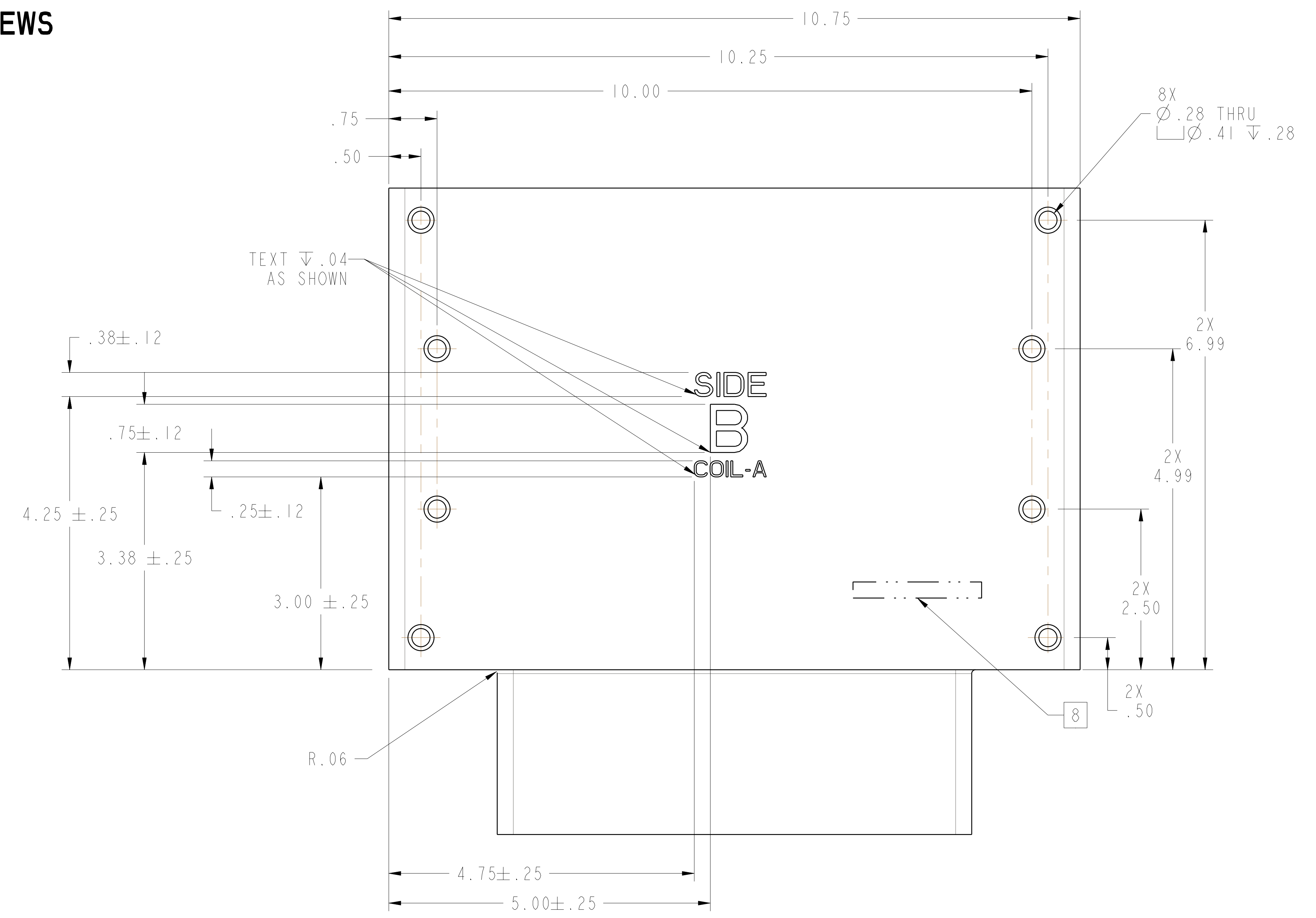
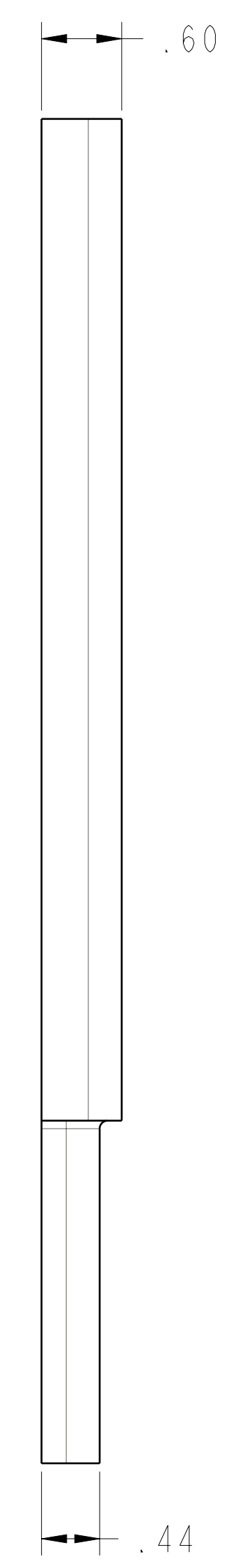


- NOTES:
 1. DRAWING PREPARED IN ACCORDANCE WITH ASME Y14.100-2000.
 2. INTERPRET DIMENSIONS AND TOLERANCES PER ANSI Y14.5M
 3. DIMENSIONS ARE IN INCHES
 4. DIMENSIONS APPLY AT ROOM TEMPERATURE. OPERATING TEMP 80 K.
 5. GEOMETRY IS DEFINED IN PRO ENGINEER CAD MODELS/FILES SEI42A-134.PRT
 6. DRAWING AND MODELS COMBINED DEFINE FINISHED MACHINED PART.
 7. IN THE EVENT OF A DISCREPANCY BETWEEN THE CAD MODEL AND DRAWING, THE CAD MODEL SHALL TAKE PRECEDENCE.
 8. MARK DRAWING NUMBER AND REVISION WITH 1/4 INCH HIGH LETTERS IN THE AREA SHOWN.

ISOMETRIC VIEWS



1
 SCALE 1.00
 WEIGHT = 3.9 LBS

RELEASED FOR FABRICATION / INSTALLATION
 PPPL Drafting:

next assy	AR	-1	SIDE "B" SIDE PLATE	NEMA GRADE G11CR	I
SEI42A-100	CAGE CODE	PART OR IDENTIFYING NO	NOMENCLATURE OR DESCRIPTION	MATERIAL	SPECIFICATION
		NEXT ASSEMBLY	PARTS LIST		FIND NO

NO REPRESENTATION OR WARRANTY, EXPRESSED OR IMPLIED, IS MADE AS TO THE ACCURACY, COMPLETENESS OR USEFULNESS OF THE INFORMATION OR STATEMENTS CONTAINED IN THESE DRAWINGS, OR THAT THE USE OR DISCLOSURE OF ANY INFORMATION, APPARATUS, METHOD OR PROCESS DISCLOSED IN THESE DRAWINGS MAY NOT INFRINGE PRIVATE RIGHTS OF OTHERS. NO LIABILITY IS ASSUMED WITH RESPECT TO THE USE OF, OR FOR DAMAGES RESULTING FROM THE USE OF, ANY INFORMATION, APPARATUS, METHOD OR PROCESS DISCLOSED IN THESE DRAWINGS. DRAWINGS MADE AVAILABLE FOR INFORMATION TO BIDDER ARE NOT TO BE USED FOR OTHER PURPOSES, AND ARE TO BE RETURNED UPON REQUEST OF THE FORWARDING CONTRACTOR.

P THIS DRAWING PRODUCED ON PRO-ENGINEER

REV	DESCRIPTION	BY	DATE	CHK	DEPT	DATE	PE	REQ	DATE	ORNL	DOE	DATE
	REVISION OR ISSUE PURPOSE											

SCALE NOTED	DES: P FOGARTY 02/06	UT-BATTELLE Oak Ridge National Laboratory managed for the DEPARTMENT OF ENERGY under U.S. GOVERNMENT contract DE-AC05-00OR22725 UT-BATTELLE, LLC. Oak Ridge, Tennessee PRODUCT NAME NATIONAL COMPACT STELLARATOR EXPERIMENT MODULAR COIL TYPE-A SIDE-B SIDE PLATE DETAIL	VERSION NO.	PLANT	BLDG	FL	SHT OF	TYPE	CLASS	
TOLERANCES UNLESS OTHERWISE SPECIFIED	DRW: G LOVETT 02/06		12	X-10	5700	3	1	S	U	REV 0
FRACTIONS	CHK: M COLE 03/06		RELEASE LEVEL	Fabrication						
XX DECIMALS ±.01	SECT:									
XXX DECIMALS ±.005	DEPT:									
ANGLES ±0°15'	PE: D WILLIAMSON 02/06									
BREAK SHARP EDGES .06 MAX	CR:									
FINISH .125 UNLESS OTHERWISE SPECIFIED	PJ:									
	REG:									
	PPPL DRFT: J SIEGLE 03/06	DRAWING APPROVALS								
		DATE								