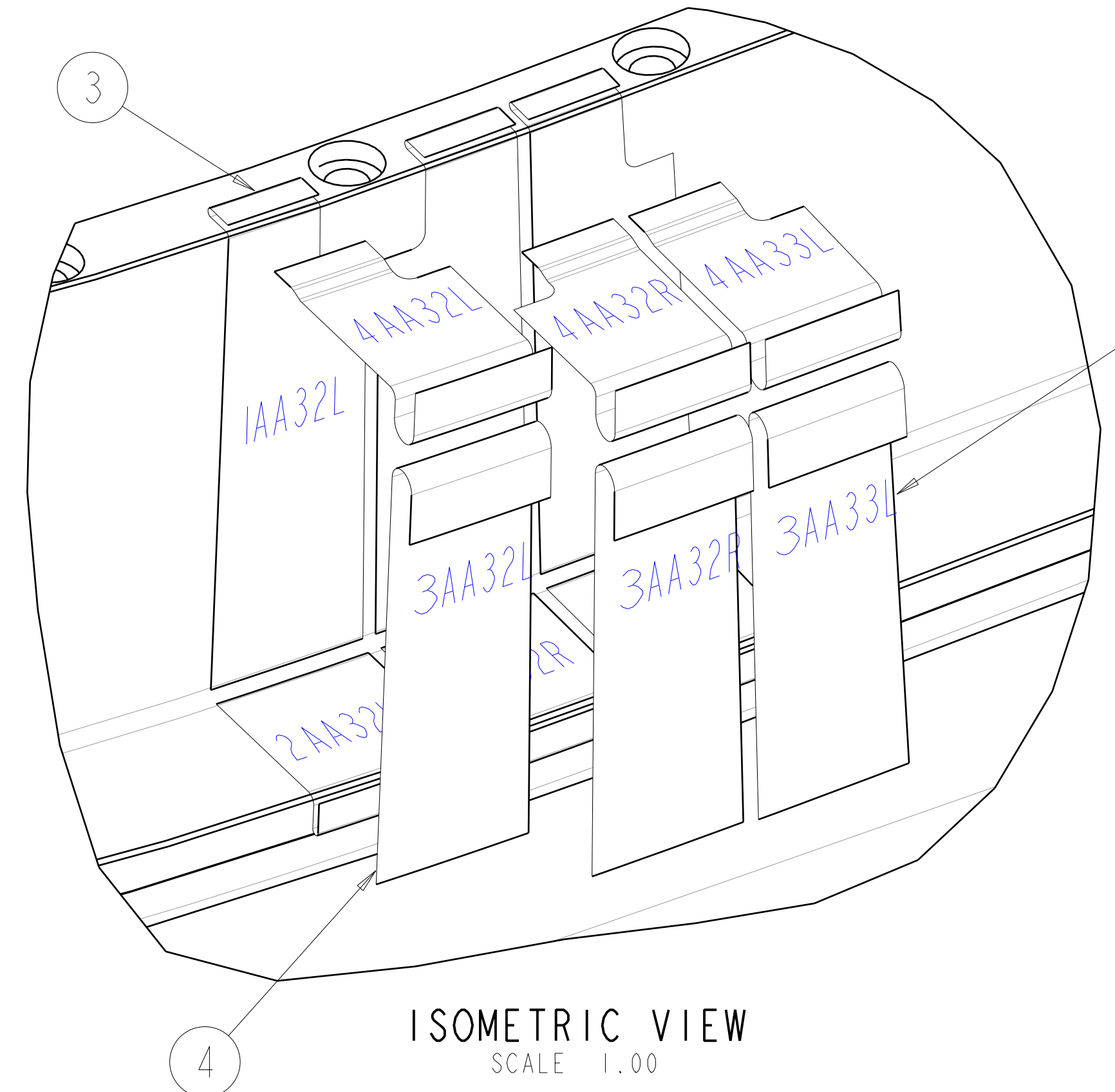
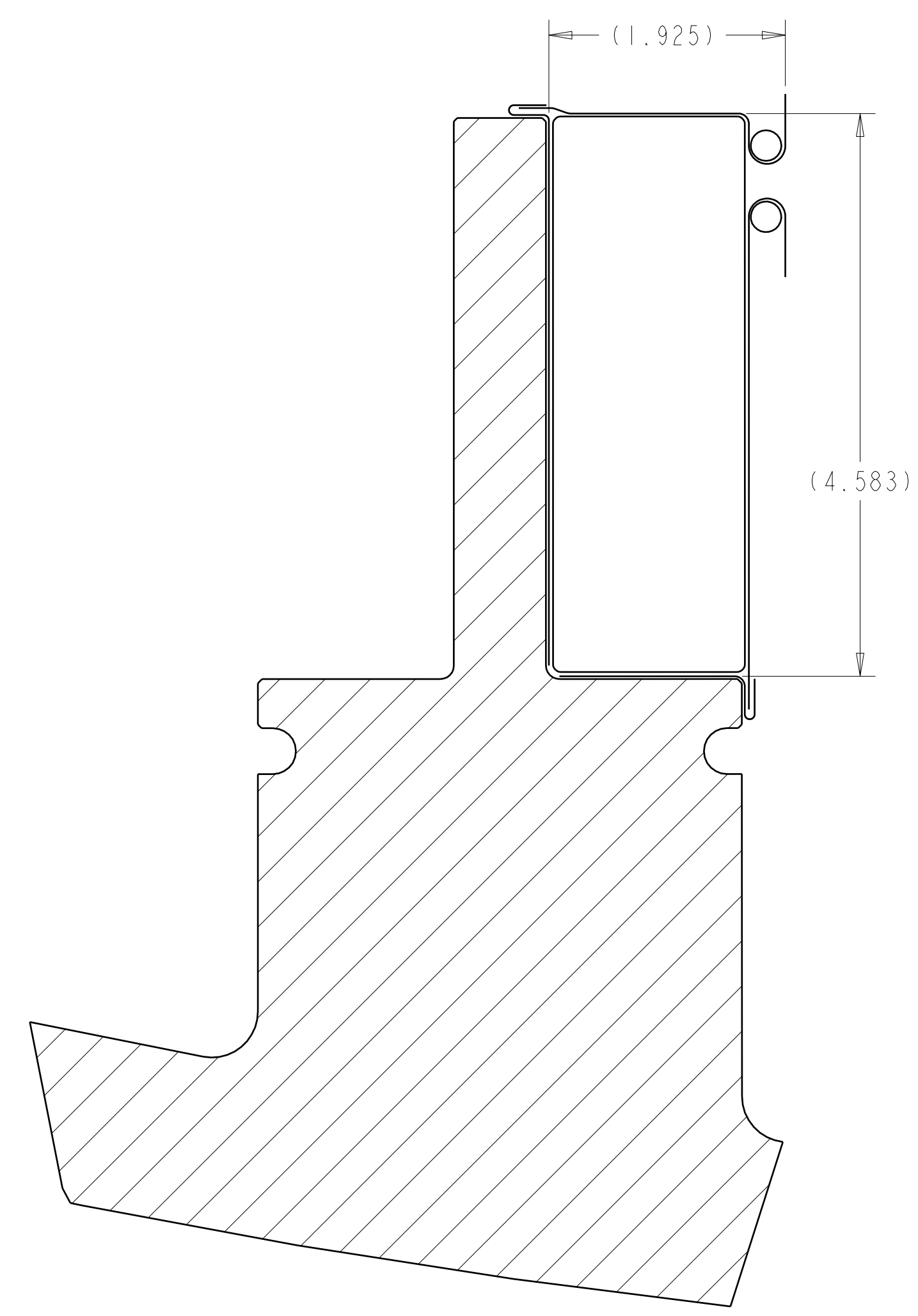
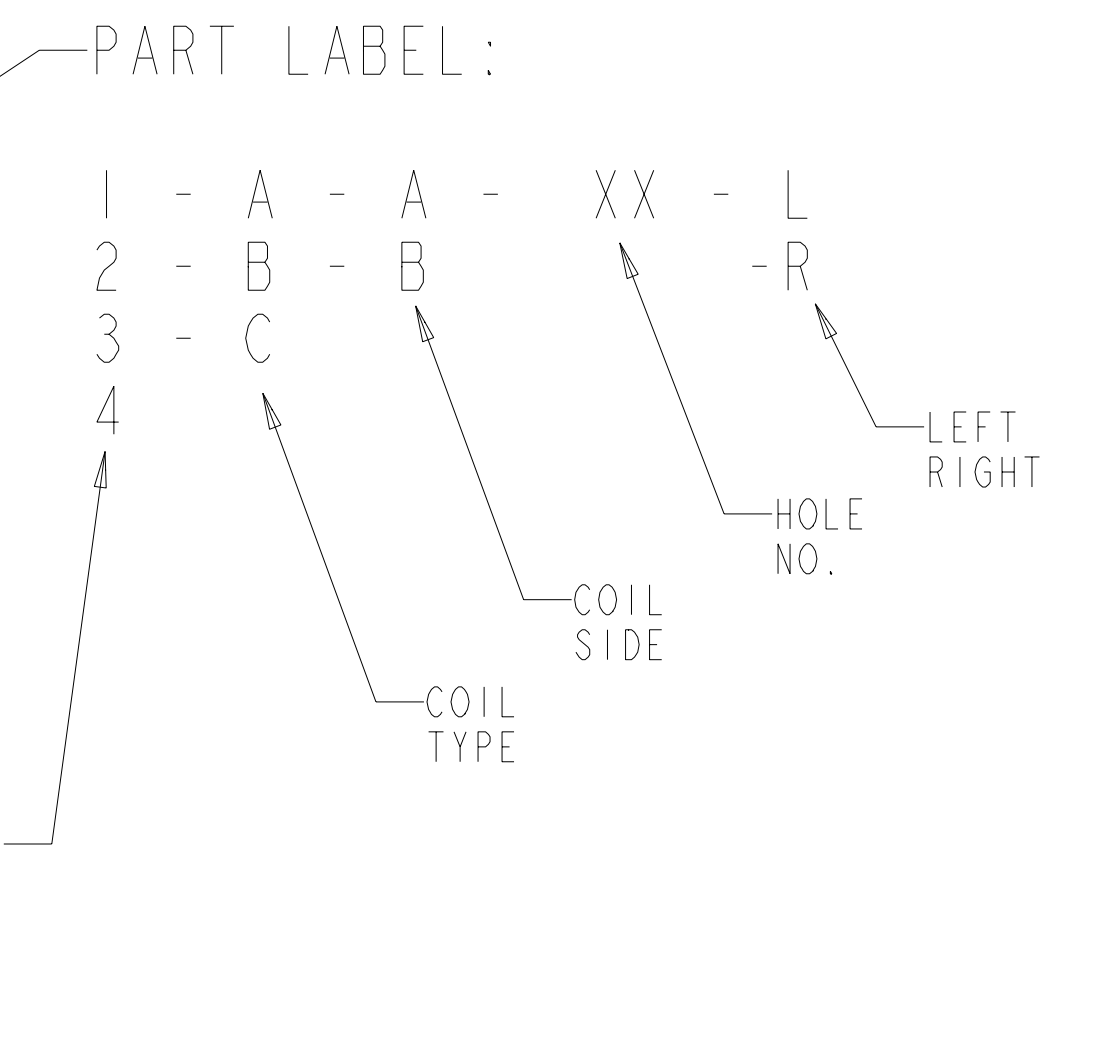


1 TYPE-A SIDE-B ASM
 SCALE 0.25

- NOTES:
1. DRAWING PREPARED IN ACCORDANCE WITH ASME Y14.100-2000.
 2. INTERPRET DIMENSIONS AND TOLERANCES PER ASME Y14.5M-1994.
 3. DIMENSIONS ARE IN INCHES.
 4. DRAWING DEPICTS FLAT PATTERN OF FORMED PARTS DEFINED BY PRO/E MODELS SE142A-245.PRT AND SE142A-247.PRT.
 5. PROFILE TOLERANCE OF FLAT PATTERN IS +/- .010 IN.
 6. THICKNESS IS 0.040 +/- .006 IN. PER ASTM B248.
 7. REMOVE ALL BURRS AND SHARP EDGES.
 8. IDENTIFY PARTS WITH LABEL SHOWN BY ETCHING OR PERMANENT MARKER.



ISOMETRIC VIEW
 SCALE 1.00



TYPICAL SECTION
 SCALE 1.00

Rev 0-a: RFD-14-021 authorized substitution of chiller plate material to UNS C11000 ETP copper in a dead soft temper. Applicable to all Type A and B Castings

RELEASED FOR FABRICATION / INSTALLATION
 PPPL Drafting:

REV	DESCRIPTION	BY	DATE	CHK	DEPT	DATE	PE	REQ	DATE	ORNL	DOE	DATE
378	SE142A-247											
386	SE142A-245											
I	SE141-114-SIM											
AR	X	-I										
SE140-101												

CAGE CODE	PART OR IDENTIFYING NO	NOMENCLATURE OR DESCRIPTION	MATERIAL / SPECIFICATION	FIND NO

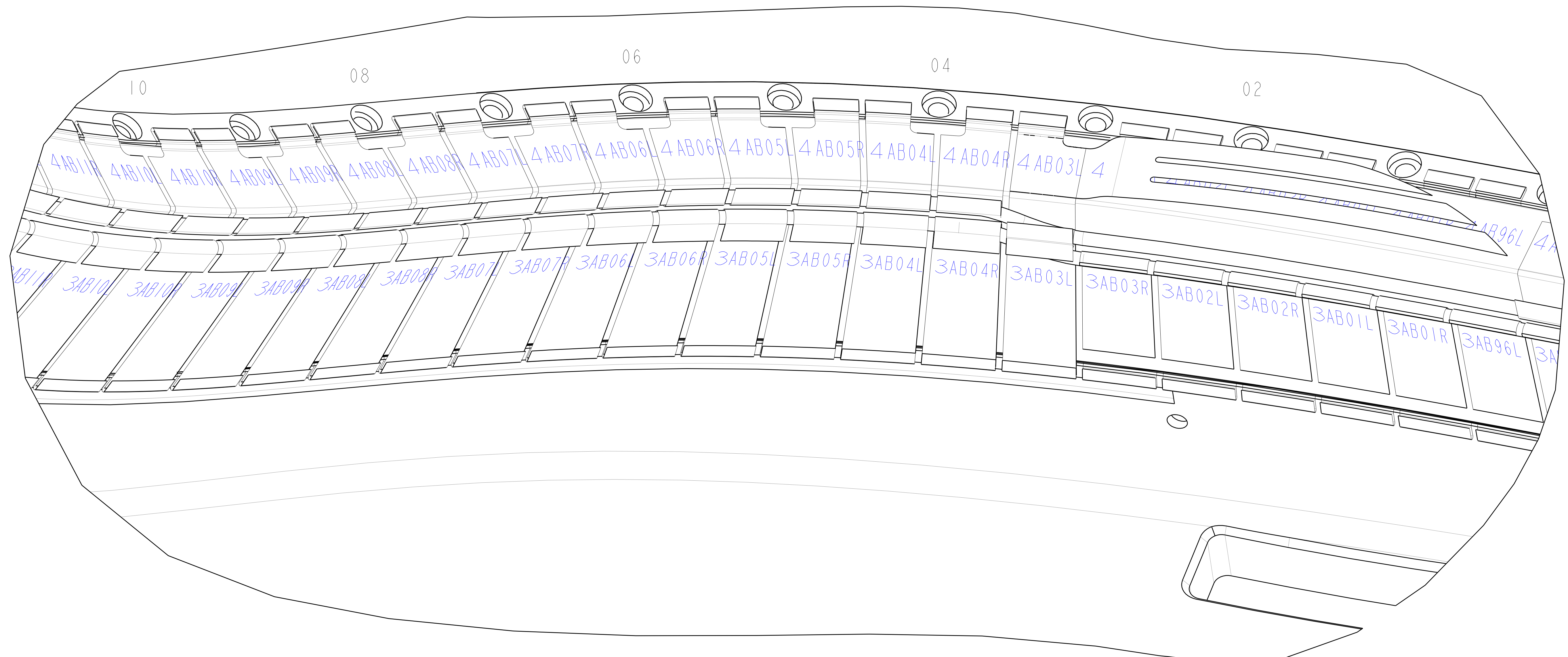
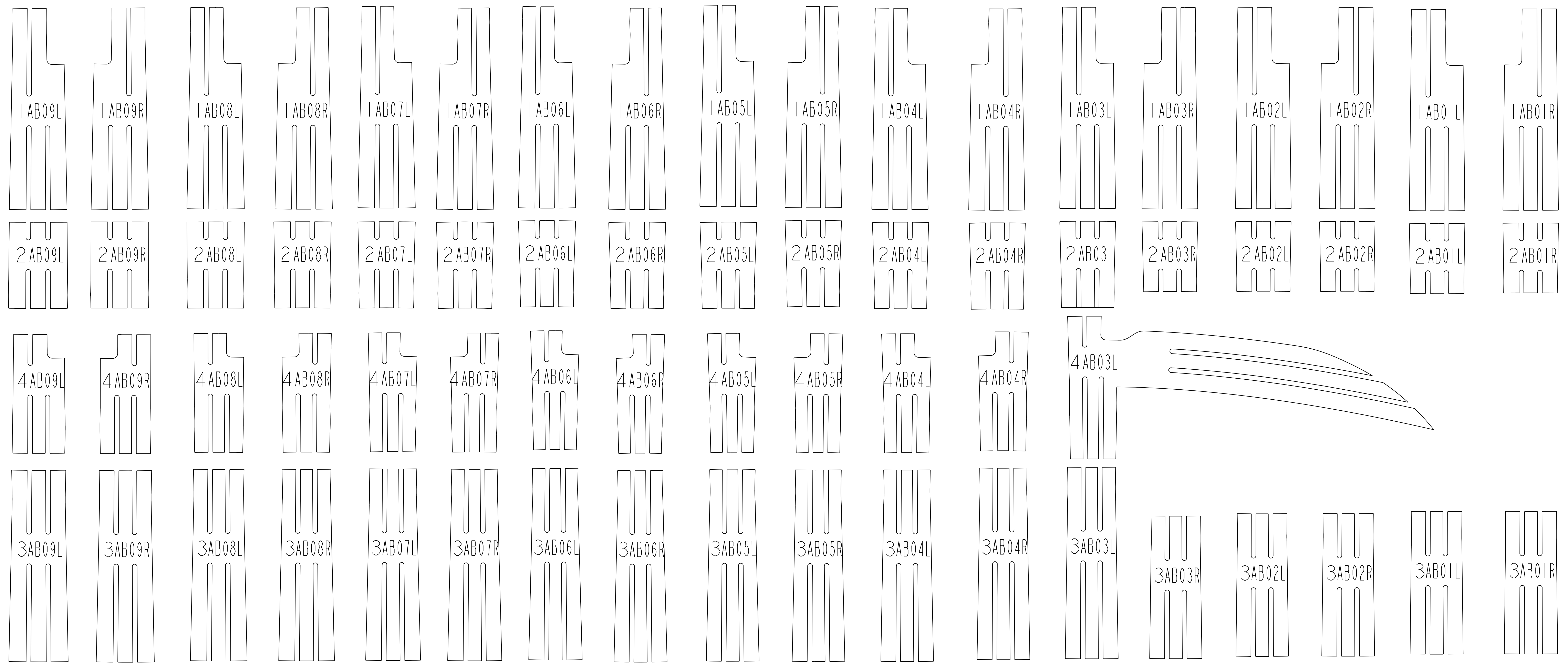
← NEXT ASSEMBLY

NO REPRESENTATION OR WARRANTY, EXPRESSED OR IMPLIED, IS MADE AS TO THE ACCURACY, COMPLETENESS OR USEFULNESS OF THE INFORMATION OR STATEMENTS CONTAINED IN THESE DRAWINGS, OR THAT THE USE OR DISCLOSURE OF ANY INFORMATION, APPARATUS, METHOD OR PROCESS DISCLOSED IN THESE DRAWINGS MAY NOT INFRINGE PRIVATE RIGHTS OF OTHERS. NO LIABILITY IS ASSUMED WITH RESPECT TO THE USE OF, OR FOR DAMAGES RESULTING FROM THE USE OF, ANY INFORMATION, APPARATUS, METHOD OR PROCESS DISCLOSED IN THESE DRAWINGS. DRAWINGS MADE AVAILABLE FOR INFORMATION TO BIDDER ARE NOT TO BE USED FOR OTHER PURPOSES, AND ARE TO BE RETURNED UPON REQUEST OF THE FORWARDING CONTRACTOR.

P THIS DRAWING PRODUCED ON PRO-ENGINEER

SCALE NOTED	DES. T. HARGROVE 3/06	UT-BATTELLE Oak Ridge National Laboratory managed for the DEPARTMENT OF ENERGY under U.S. GOVERNMENT contract DE-AC05-00OR22725 UT-BATTELLE, LLC, Oak Ridge, Tennessee
TOLERANCES UNLESS OTHERWISE SPECIFIED	DRW D. WILLIAMSON 3/06	
FRACTIONS	CHK M. COLE 3/06	NATIONAL COMPACT STELLARATOR EXPERIMENT MODULAR COIL TYPE-A SIDE-B CLADDING AND CHILL PLATES FLAT PATTERN LAYOUT
XX DECIMALS ±.01	DEPT :	
XXX DECIMALS ±.005	PE D. WILLIAMSON 3/06	VERSION NO. 8
ANGLES ±0°15'	CR :	PLANT X-10
BREAK SHARP EDGES .06 MAX	PJ :	BLDG 5700
FINISH .125 UNLESS OTHERWISE SPECIFIED	RED :	FL 3
	PPPL DRFT J. SIEGEL 3/06	SHT 1
		TYPE 12
		CLASS S
		U
		REV 0
		RELEASE LEVEL Fabrication
		SE142A-242

H
G
F
E
D
C
B
A

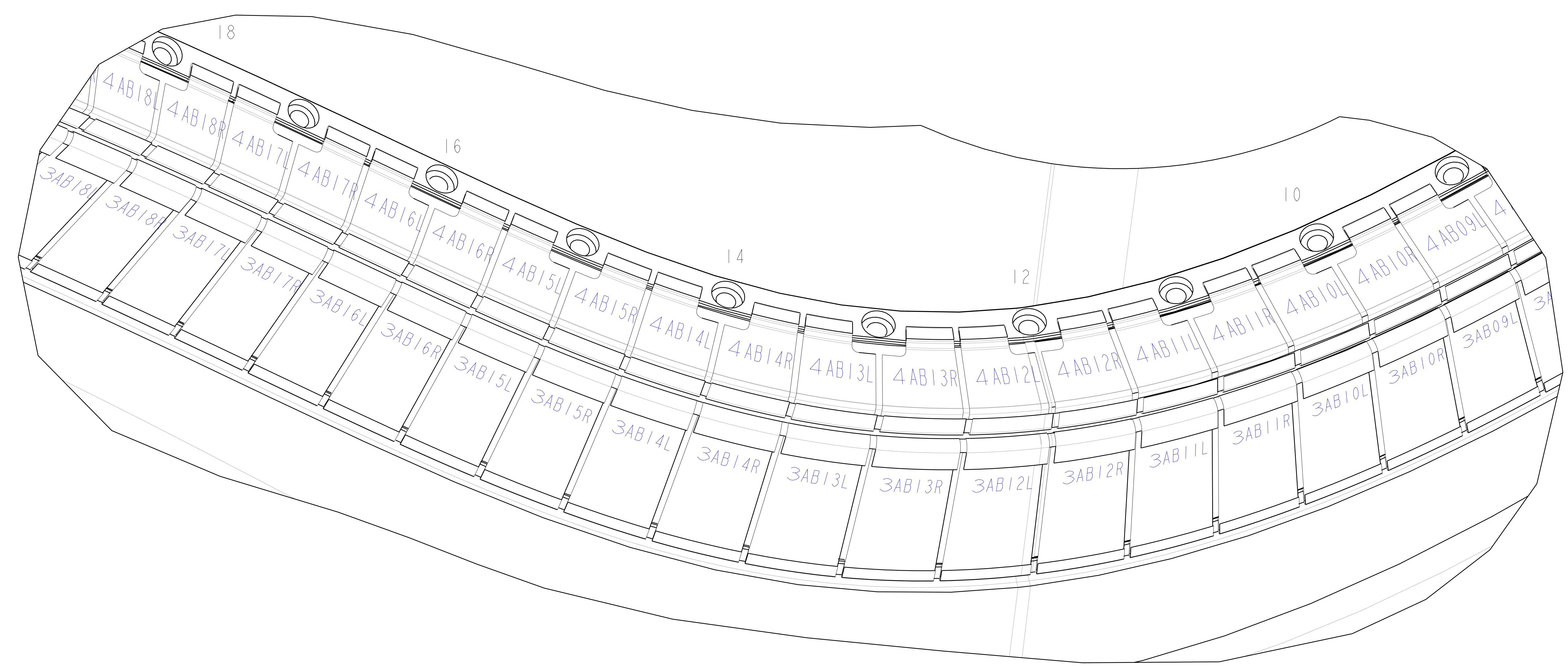
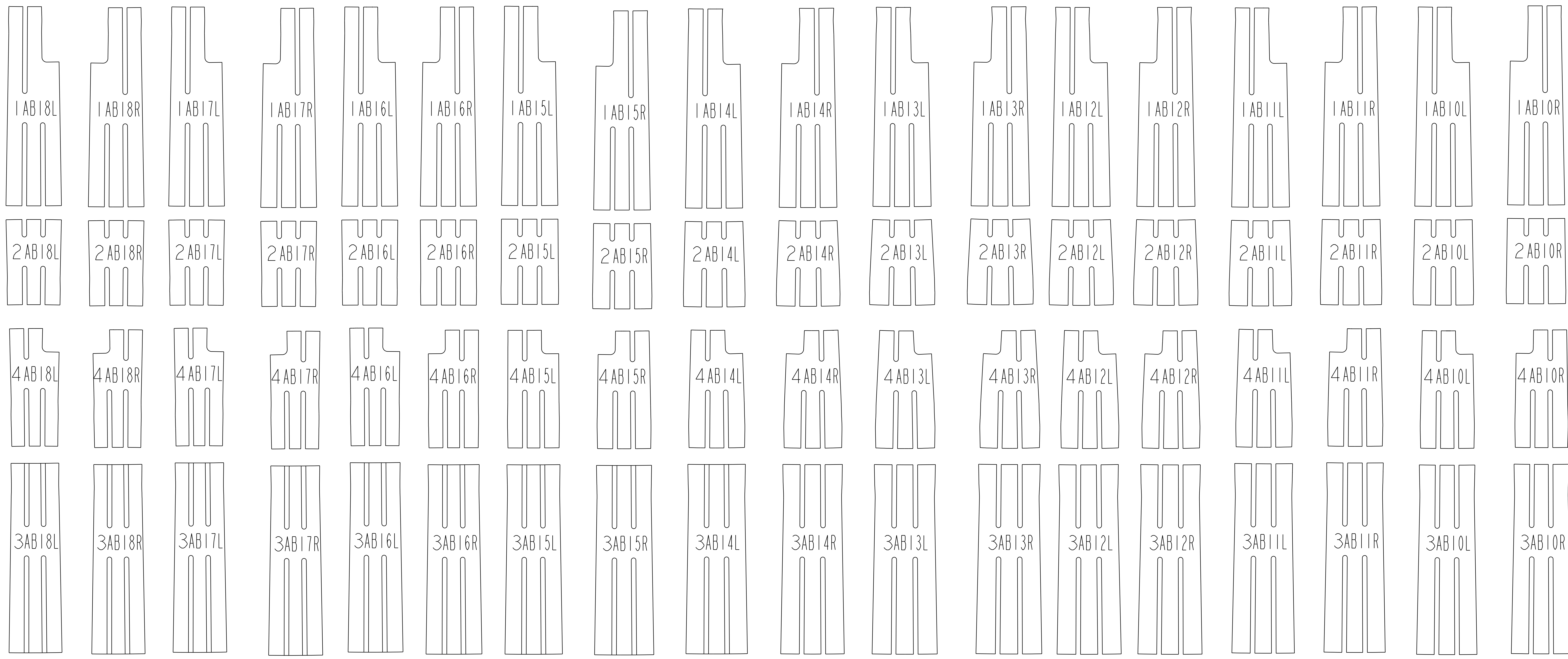


PICTORIAL VIEW
SCALE 1.00

**RELEASED FOR
FABRICATION / INSTALLATION**
PPPL Drafting:

Oak Ridge National Laboratory managed for the DEPARTMENT OF ENERGY under U.S. GOVERNMENT contract DE-AC05-00OR22725 UT-BATTELLE, LLC, Oak Ridge, Tennessee PROJECT NAME:							
NATIONAL COMPACT STELLARATOR EXPERIMENT MODULAR COIL TYPE-A SIDE-B CLADDING AND CHILL PLATES FLAT PATTERN LAYOUT							
VERSION NO.	PLANT	BLDG	FL	SHT OF	TYPE	CLASS	
8	X-10	5700	3	2	12	S	U
RELEASE LEVEL		SE142A-242		REV		0	
Fabrication							

SE142A-242

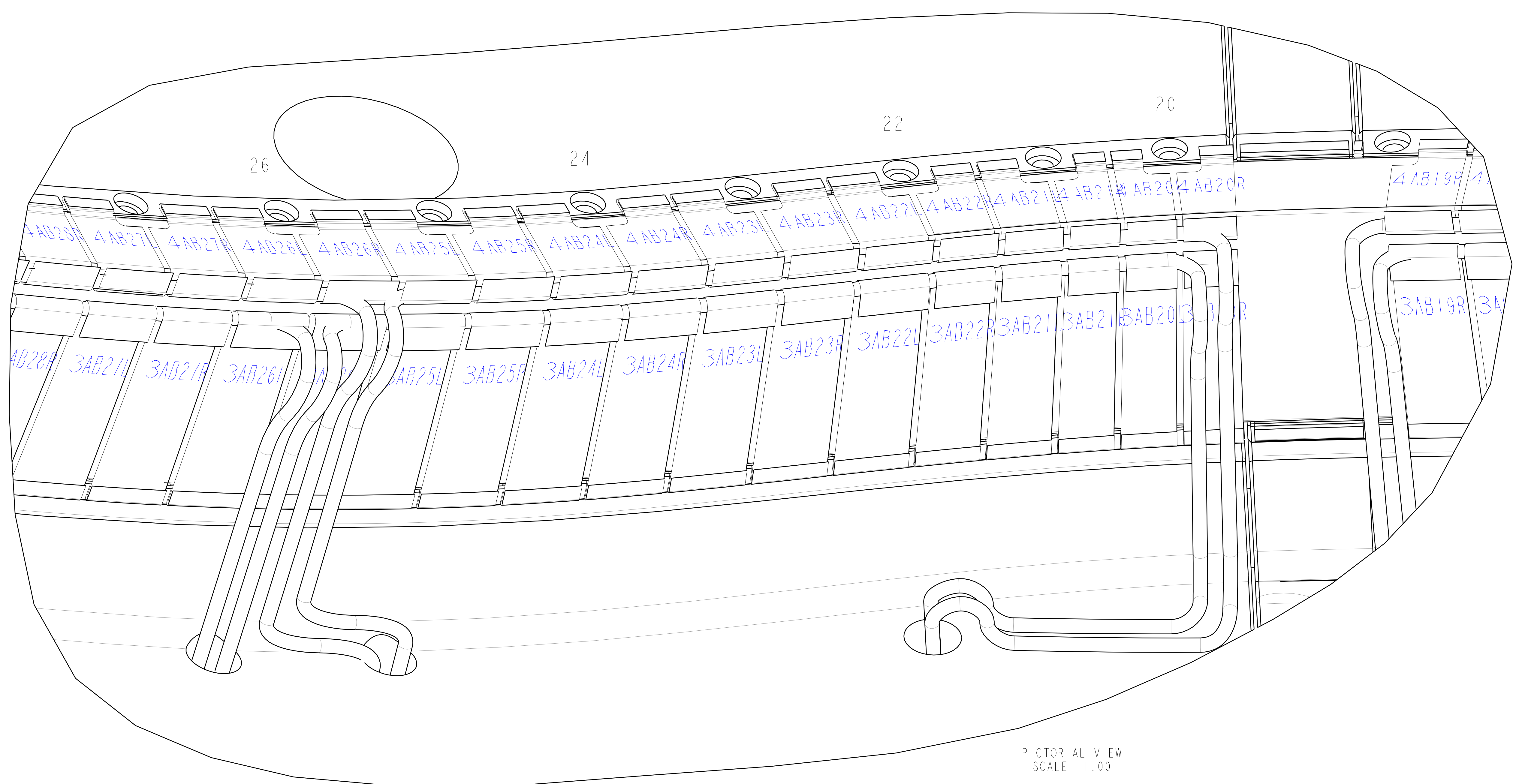
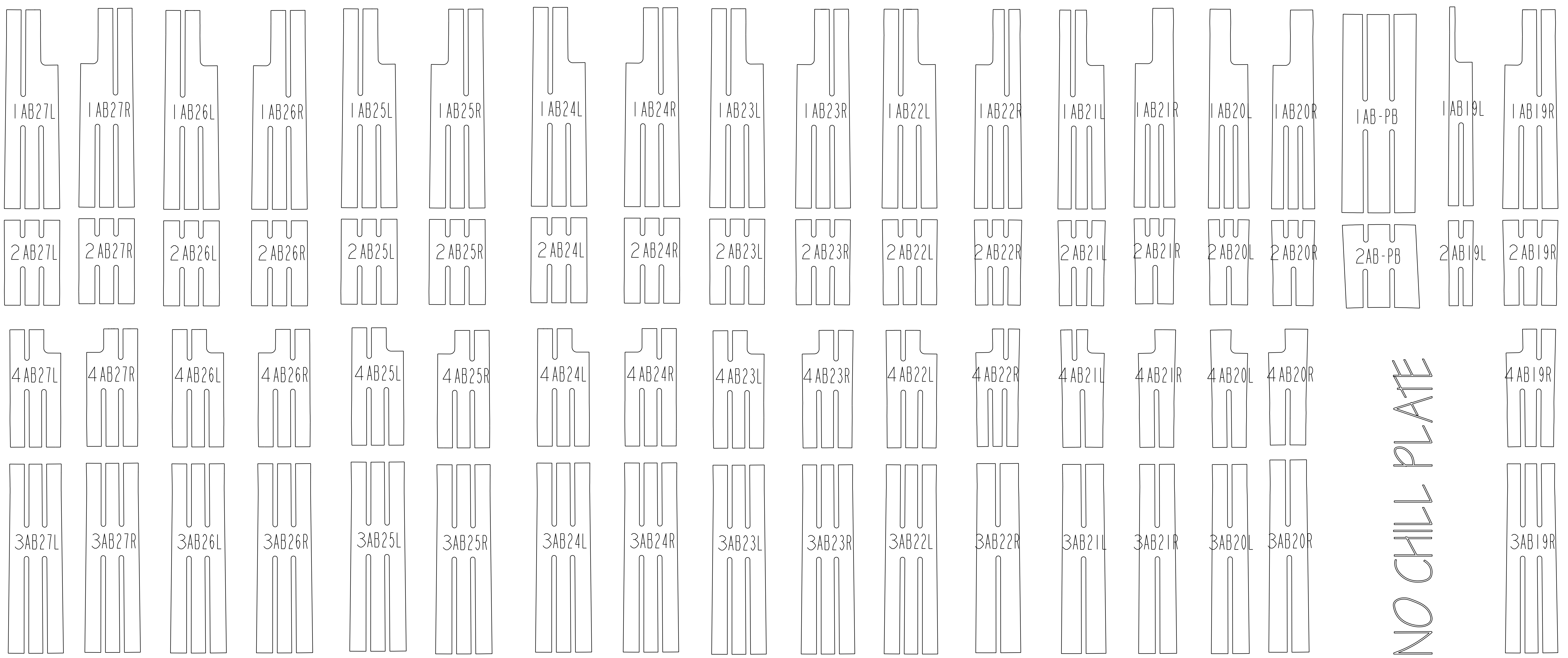


PICTORIAL VIEW
 SCALE 1.00

**RELEASED FOR
 FABRICATION / INSTALLATION**
 PPPL Drafting:

Oak Ridge National Laboratory managed for the DEPARTMENT OF ENERGY under U.S. GOVERNMENT contract DE-AC05-00OR22725 UT-BATTELLE, LLC, Oak Ridge, Tennessee						
UT-BATTELLE						
NATIONAL COMPACT STELLARATOR EXPERIMENT MODULAR COIL TYPE-A SIDE-B CLADDING AND CHILL PLATES FLAT PATTERN LAYOUT						
VERSION NO.	PLANT	BLDG	FL	SHT	TYPE	CLASS
8	X-10	5700	3	3	12 S	U
RELEASE LEVEL		REV				
Fabrication		SE142A-242 0				

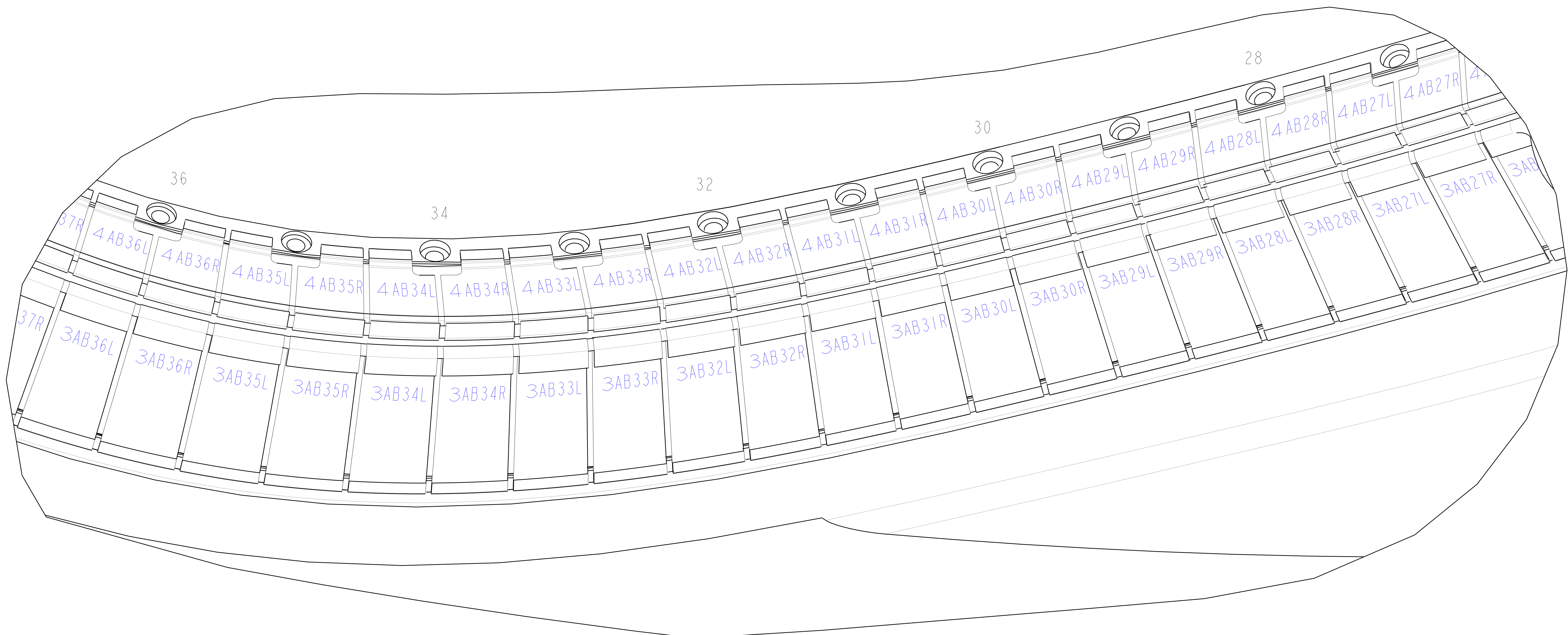
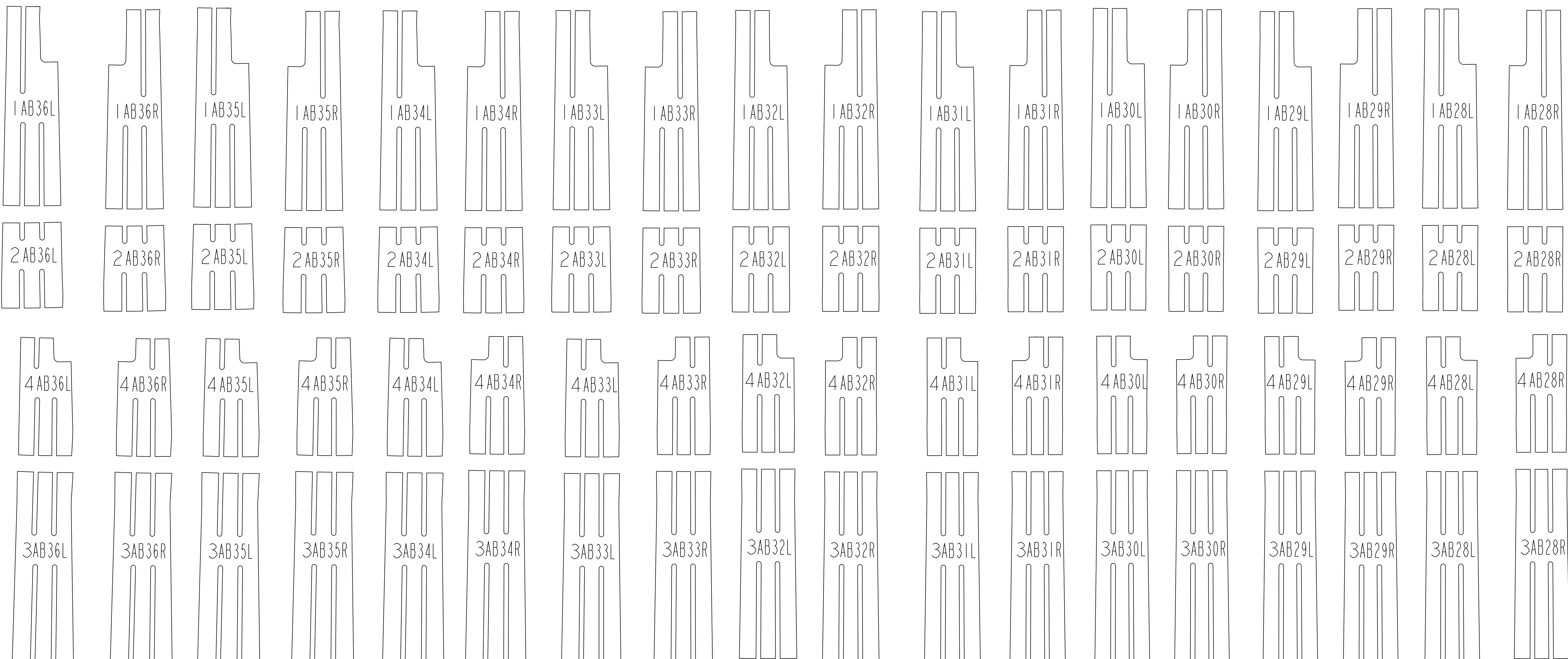
SE142A-242



**RELEASED FOR
 FABRICATION / INSTALLATION**
 PPPL Drafting:

Oak Ridge National Laboratory managed for the DEPARTMENT OF ENERGY under U.S. GOVERNMENT contract DE-AC05-00OR22725 UT-BATTELLE, LLC, Oak Ridge, Tennessee							
UT-BATTELLE PROJECT NAME NATIONAL COMPACT STELLARATOR EXPERIMENT MODULAR COIL TYPE-A SIDE-B CLADDING AND CHILL PLATES FLAT PATTERN LAYOUT							
VERSION NO.	PLANT	BLDG	FL	SHT OF	TYPE	CLASS	
8	X-10	5700	3	4	12	S	U
RELEASE LEVEL							
Fabrication		SE142A-242					
						REV	0

SE142A-242



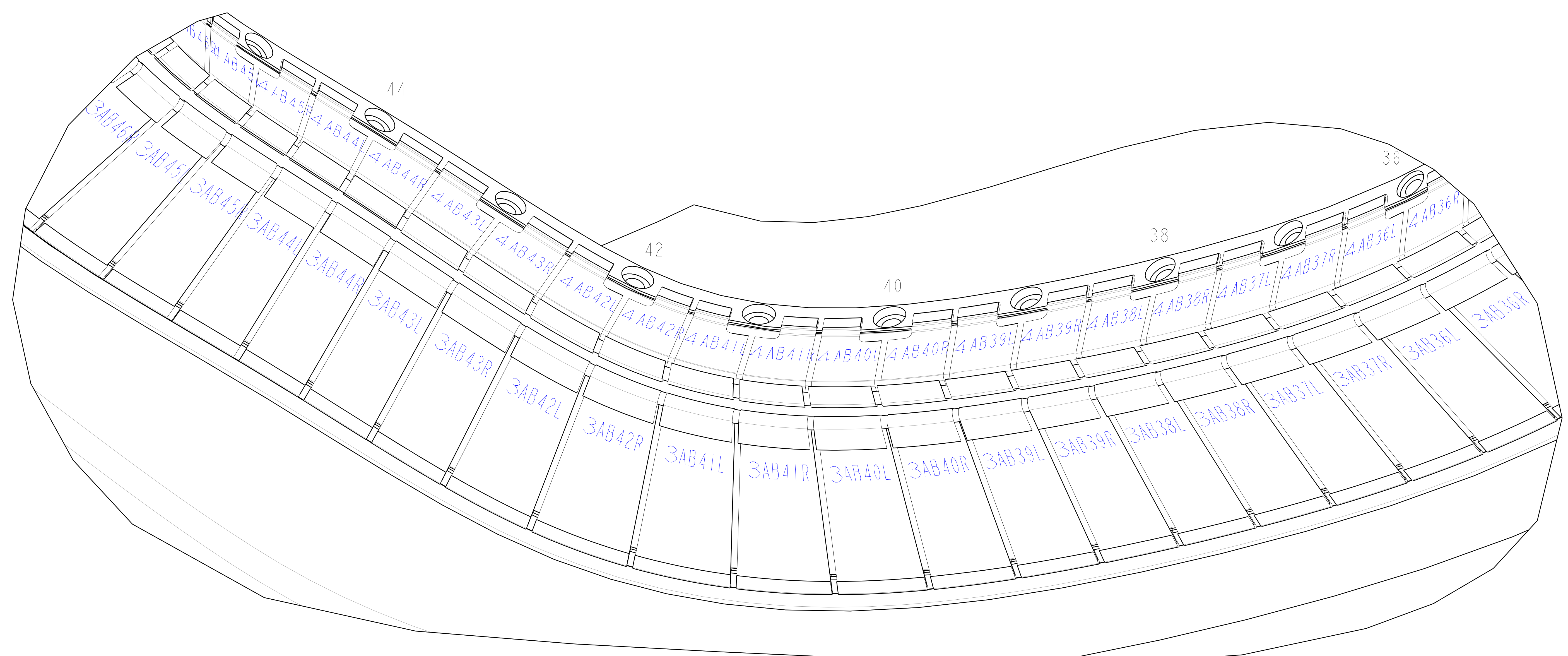
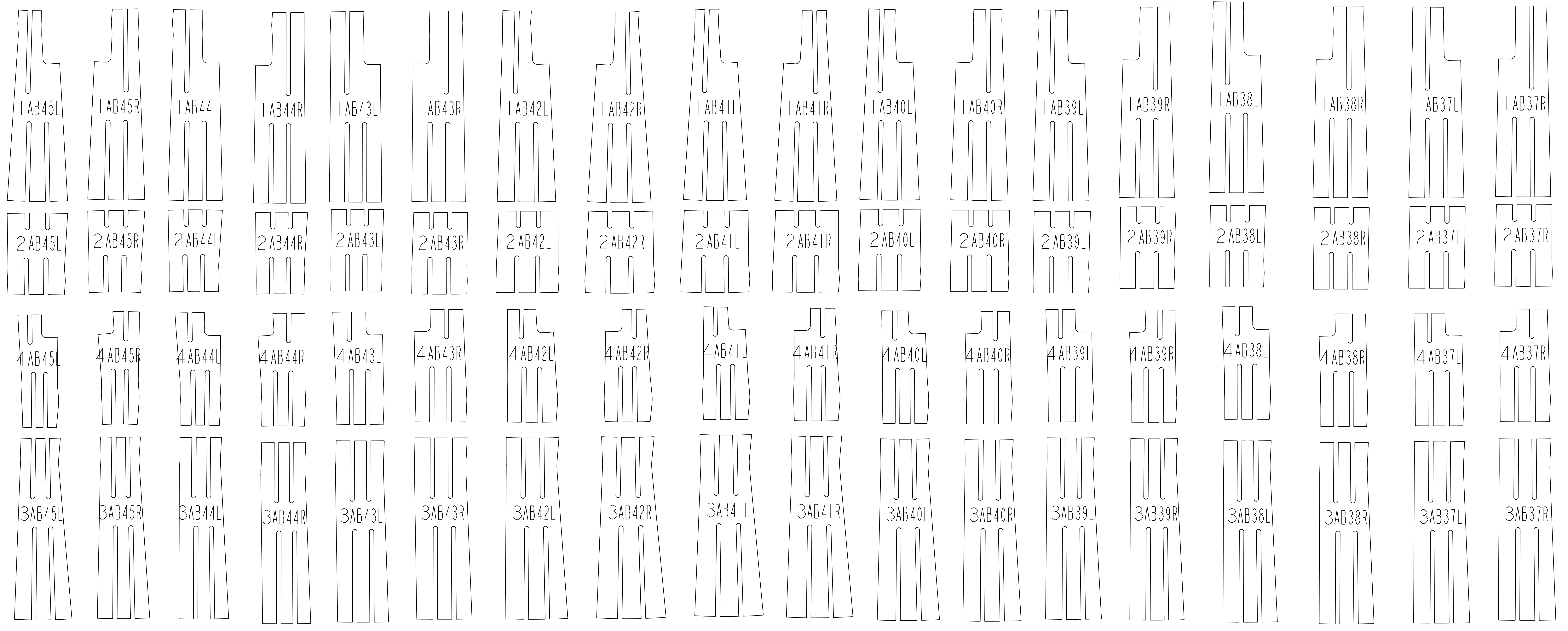
**RELEASED FOR
 FABRICATION / INSTALLATION**
 PPPL Drafting:

PICTORIAL VIEW
 SCALE 1.00

Oak Ridge National Laboratory managed for the DEPARTMENT OF ENERGY under U.S. GOVERNMENT contract DE-AC05-00OR22725 UT-BATTELLE, LLC, Oak Ridge, Tennessee						
UT-BATTELLE						
NATIONAL COMPACT STELLARATOR EXPERIMENT						
MODULAR COIL TYPE-A SIDE-B CLADDING AND CHILL PLATES FLAT PATTERN LAYOUT						
VERSION NO.	PLANT	BLDG	FL	SHT	OF	TYPE
8	X-10	5700	3	5	12	S
RELEASE LEVEL		SE142A-242		REV		U
Fabrication						0

H
G
F
E
D
C
B
A

SE142A-242



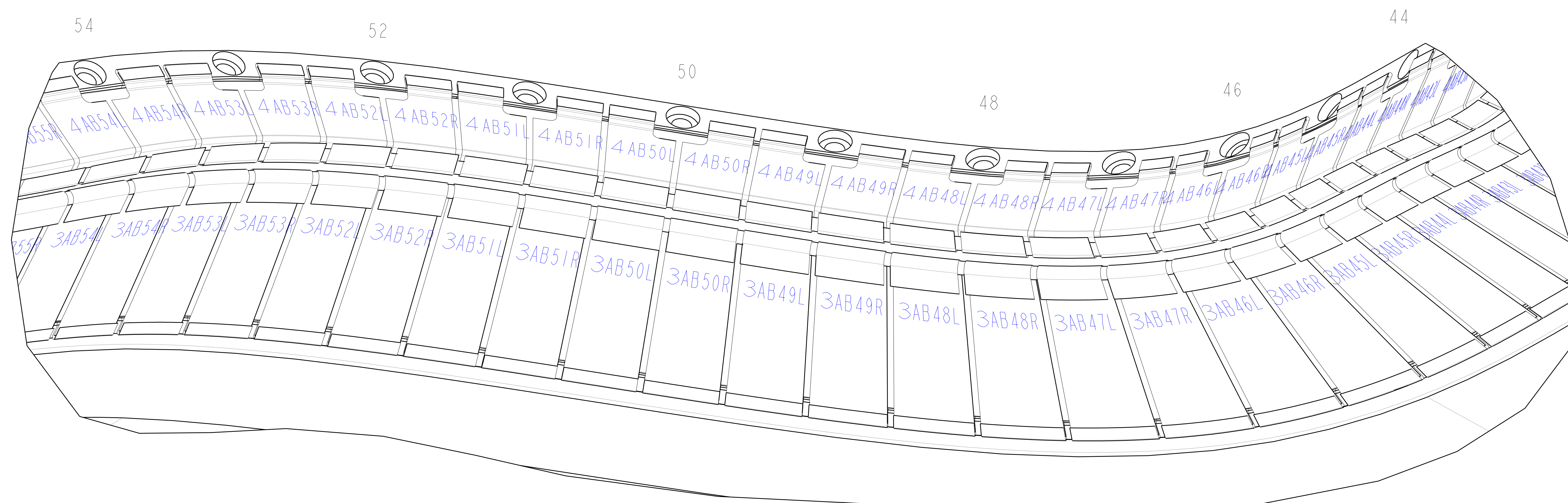
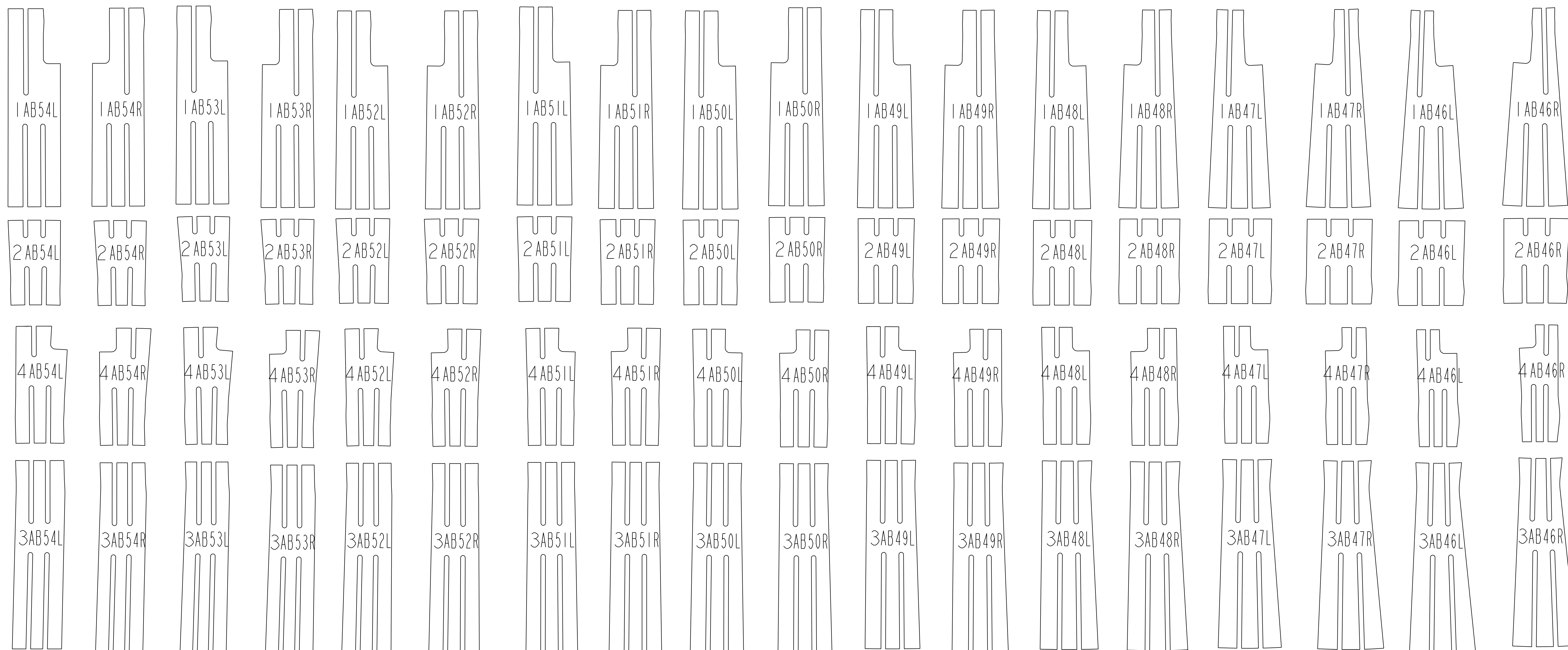
PICTORIAL VIEW SCALE 1.00

**RELEASED FOR
FABRICATION / INSTALLATION**
PPPL Drafting:

Oak Ridge National Laboratory managed for the DEPARTMENT OF ENERGY under U.S. GOVERNMENT contract DE-AC05-00OR22725 UT-BATTELLE, LLC, Oak Ridge, Tennessee							
UT-BATTELLE							
PROJECT NAME NATIONAL COMPACT STELLARATOR EXPERIMENT							
MODULAR COIL TYPE-A SIDE-B CLADDING AND CHILL PLATES FLAT PATTERN LAYOUT							
VERSION NO.	PLANT	BLDG	FL	SHT OF	TYPE	CLASS	
8	X-10	5700	3	6	12	S	U
RELEASE LEVEL							
Fabrication		SEI42A-242					
							REV 0

SEI42A-242

A



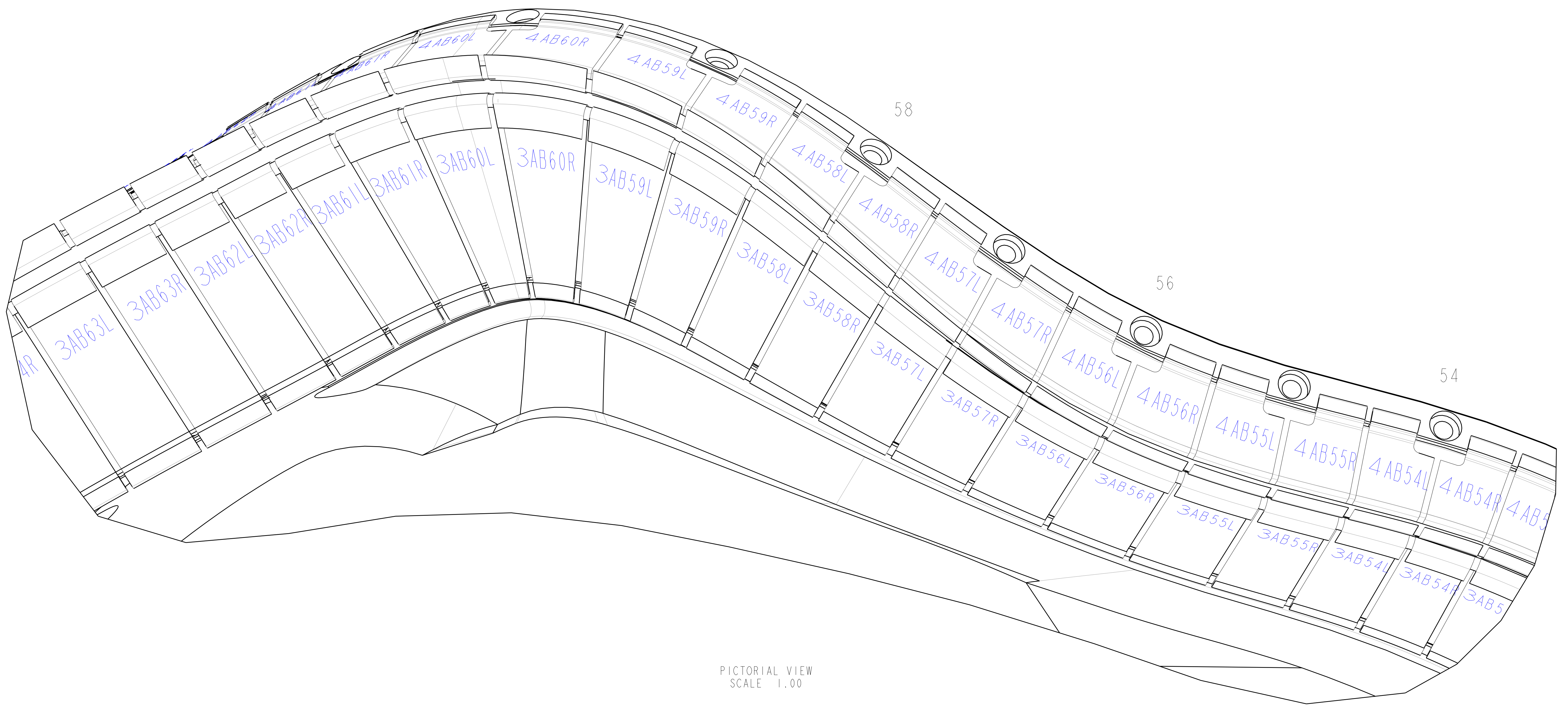
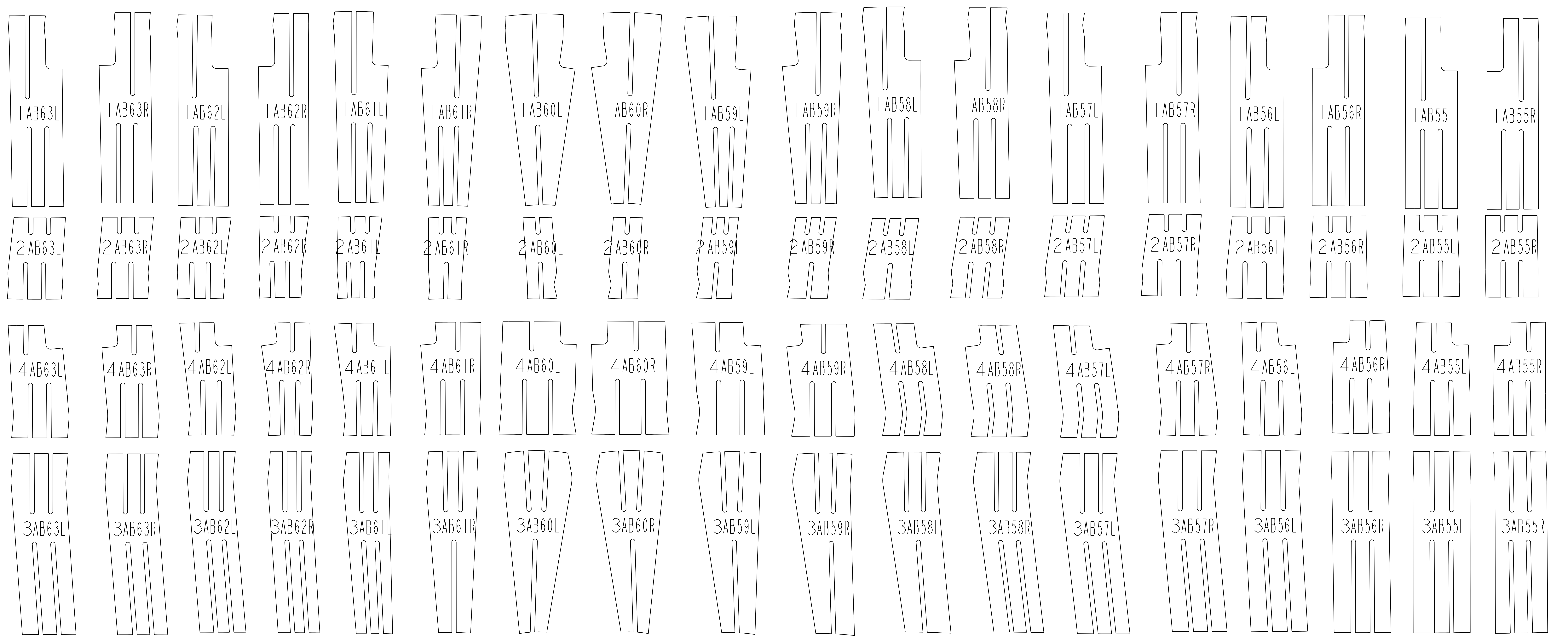
PICTORIAL VIEW
SCALE 1.00

**RELEASED FOR
FABRICATION / INSTALLATION**

PPPL Drafting:

Oak Ridge National Laboratory managed for the DEPARTMENT OF ENERGY under U.S. GOVERNMENT contract DE-AC05-00OR22725 UT-BATTELLE, LLC, Oak Ridge, Tennessee						
NATIONAL COMPACT STELLARATOR EXPERIMENT MODULAR COIL TYPE-A SIDE-B CLADDING AND CHILL PLATES FLAT PATTERN LAYOUT						
VERSION NO.	PLANT	BLDG	FL	SHT OF	TYPE	CLASS
8	X-10	5700	3	7	12	S
RELEASE LEVEL		SE142A-242				REV
Fabrication						0

SE142A-242



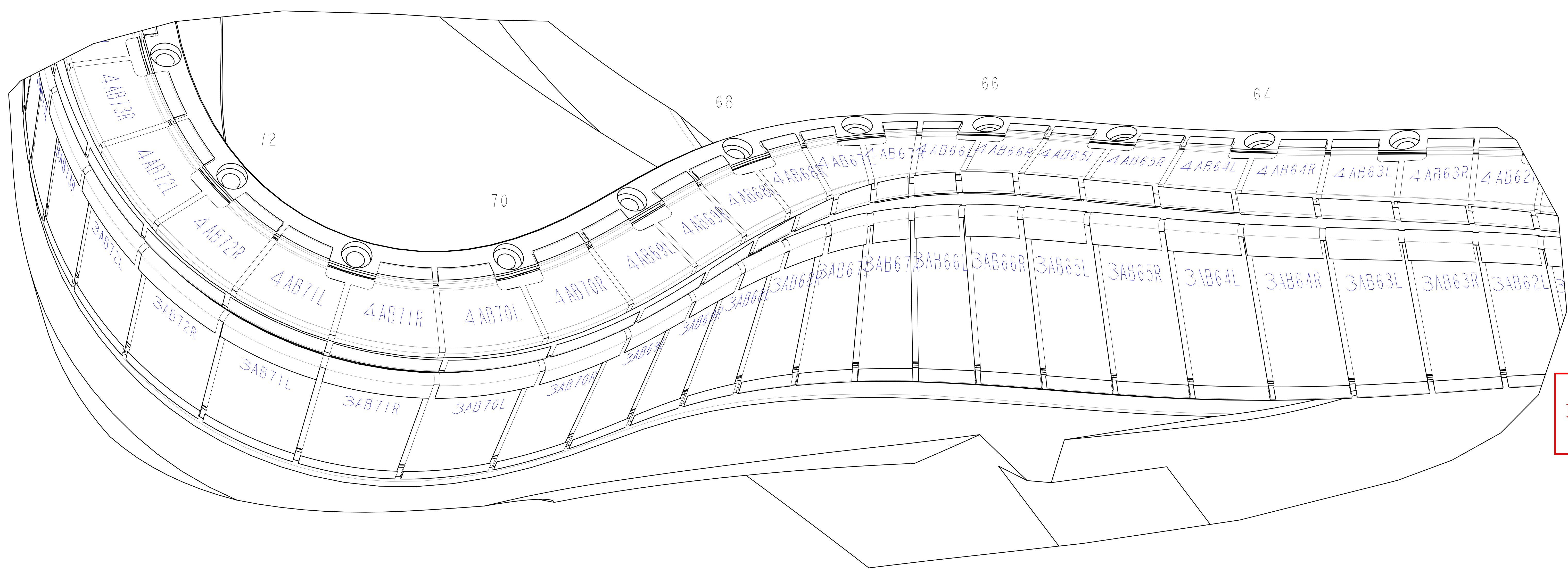
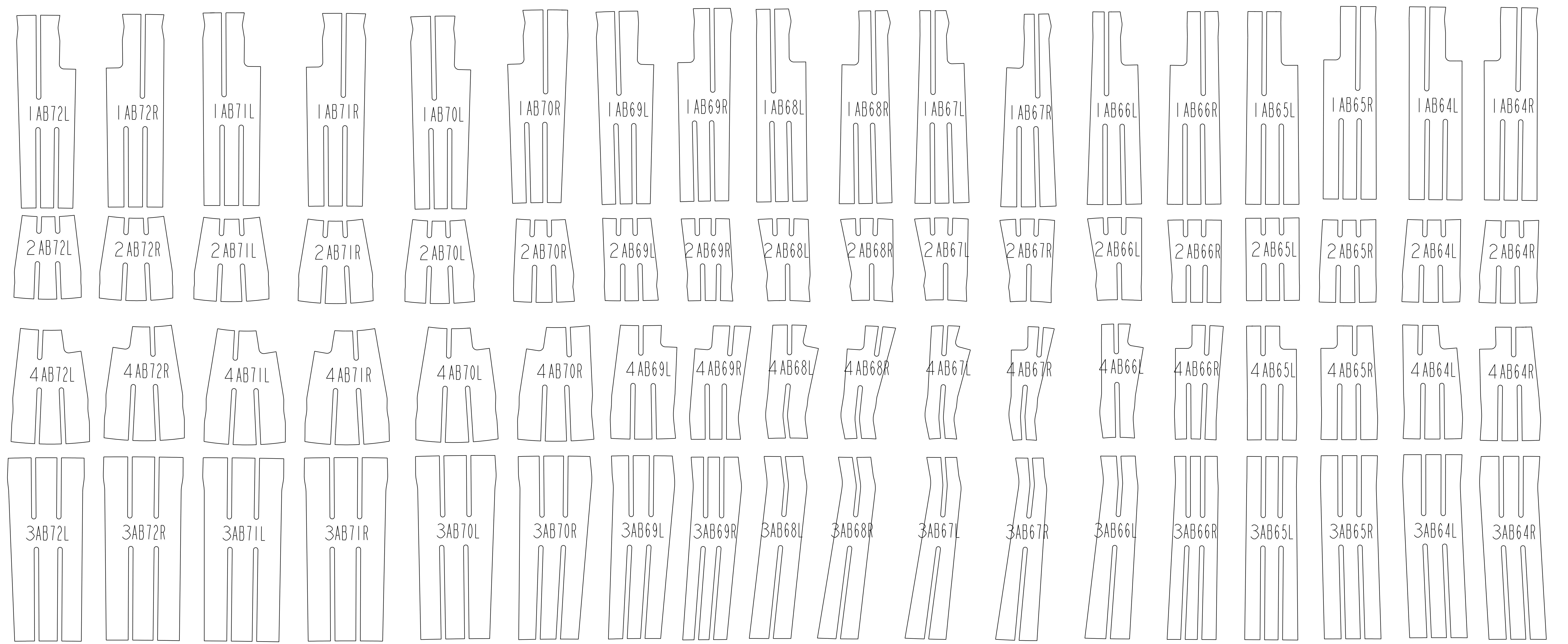
PICTORIAL VIEW
 SCALE 1.00

**RELEASED FOR
 FABRICATION / INSTALLATION**
 PPPL Drafting:

Oak Ridge National Laboratory managed for the DEPARTMENT OF ENERGY under U.S. GOVERNMENT contract DE-AC05-00OR22725 UT-BATTELLE, LLC, Oak Ridge, Tennessee							
UT-BATTELLE							
NATIONAL COMPACT STELLARATOR EXPERIMENT MODULAR COIL TYPE-A SIDE-B CLADDING AND CHILL PLATES FLAT PATTERN LAYOUT							
VERSION NO.	PLANT	BLDG	FL	SHT	OF	TYPE	CLASS
8	X-10	5700	3	8	12	S	U
RELEASE LEVEL		SE142A-242					
Fabrication							

H
G
F
E
D
C
B
A

SE142A-242

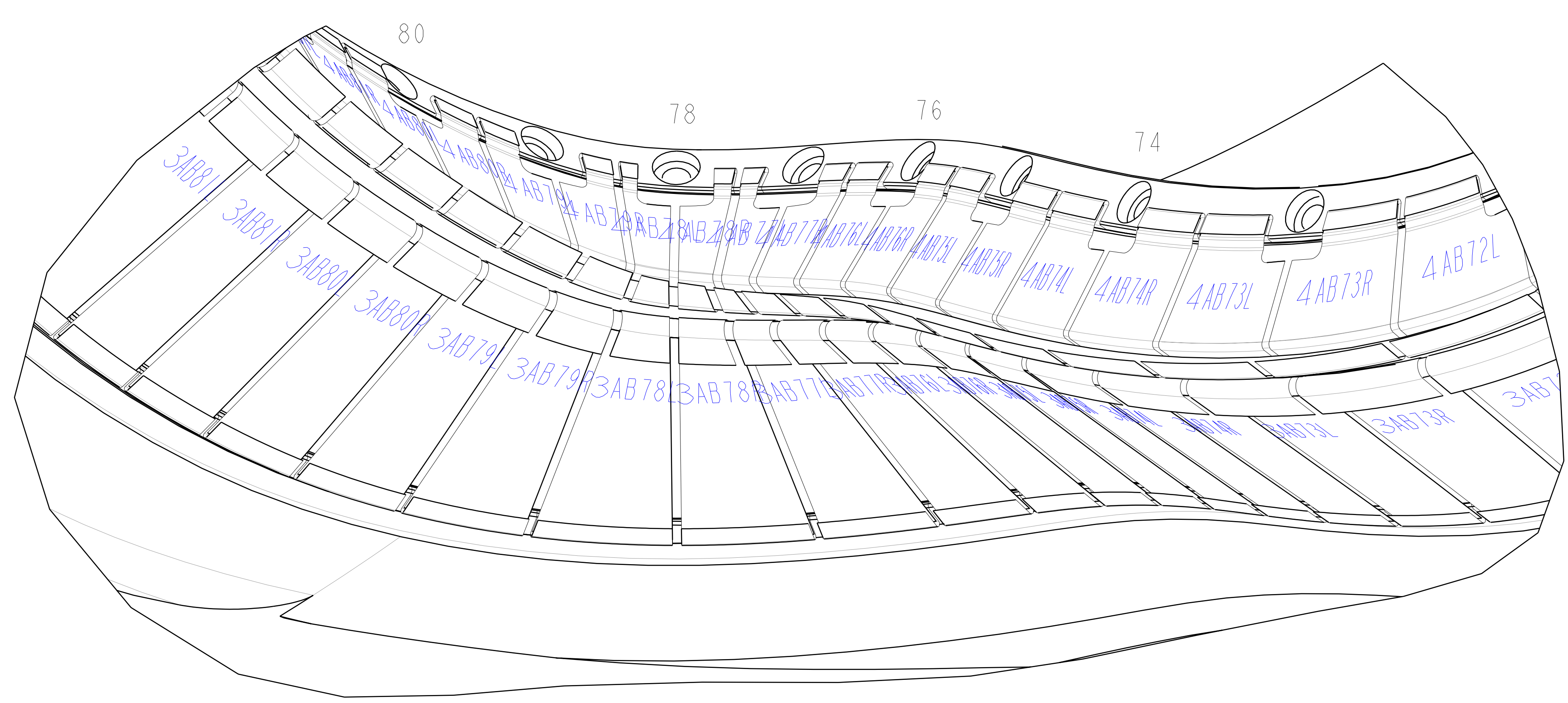
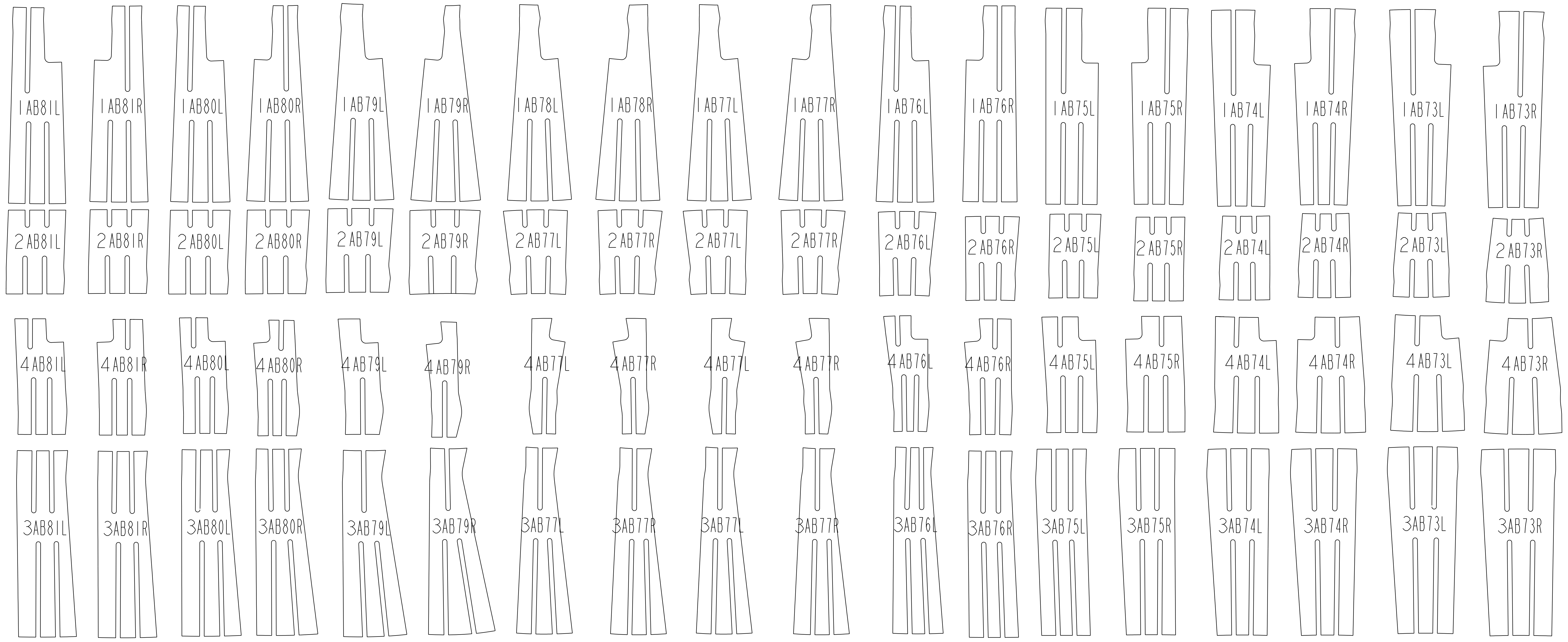


**RELEASED FOR
FABRICATION / INSTALLATION**
PPPL Drafting:

SCALE 1,000

Oak Ridge National Laboratory managed for the DEPARTMENT OF ENERGY under U.S. GOVERNMENT contract DE-AC05-00OR22725 UT-BATTELLE, LLC, Oak Ridge, Tennessee						
UT-BATTELLE						
NATIONAL COMPACT STELLARATOR EXPERIMENT MODULAR COIL TYPE-A SIDE-B CLADDING AND CHILL PLATES FLAT PATTERN LAYOUT						
VERSION NO.	PLANT	BLDG	FL	SHT OF	TYPE	CLASS
8	X-10	5700	3	9	12	S
RELEASE LEVEL		SE142A-242		REV		U
Fabrication						0

SE142A-242

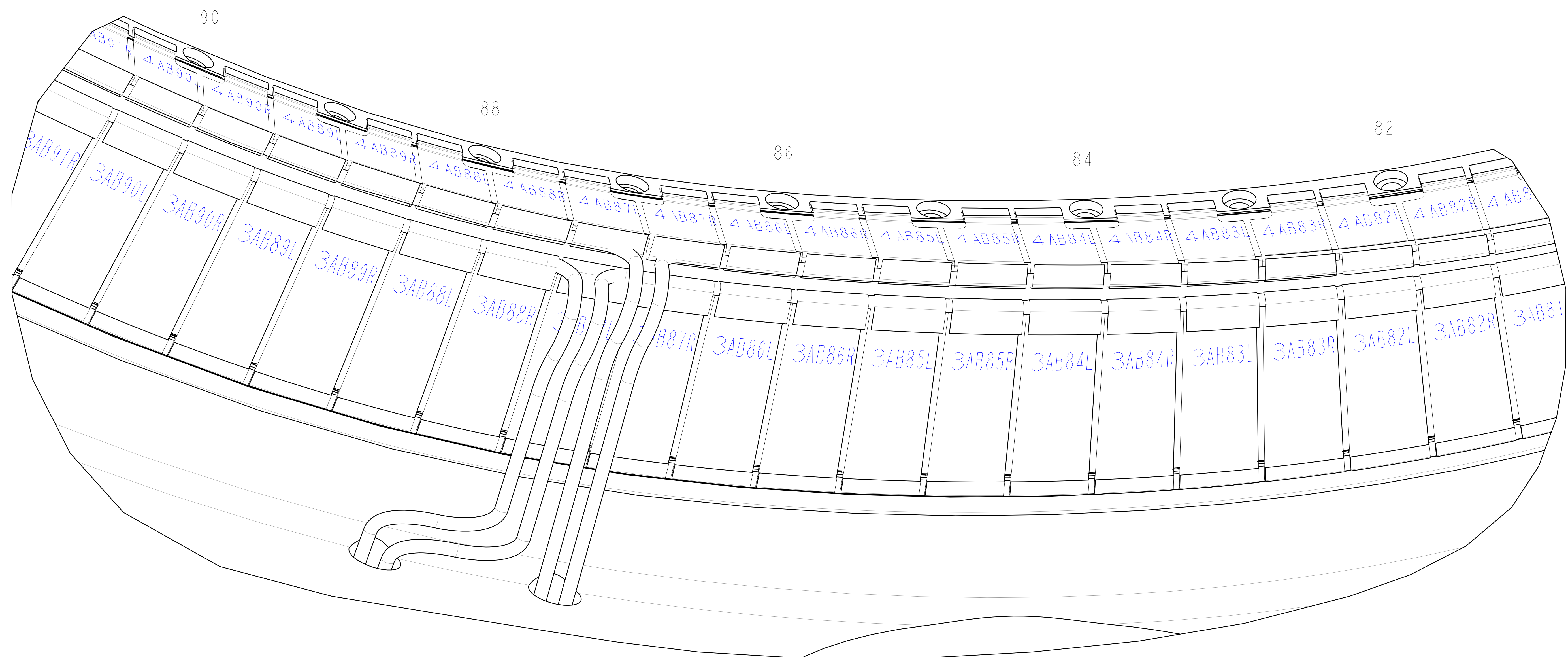
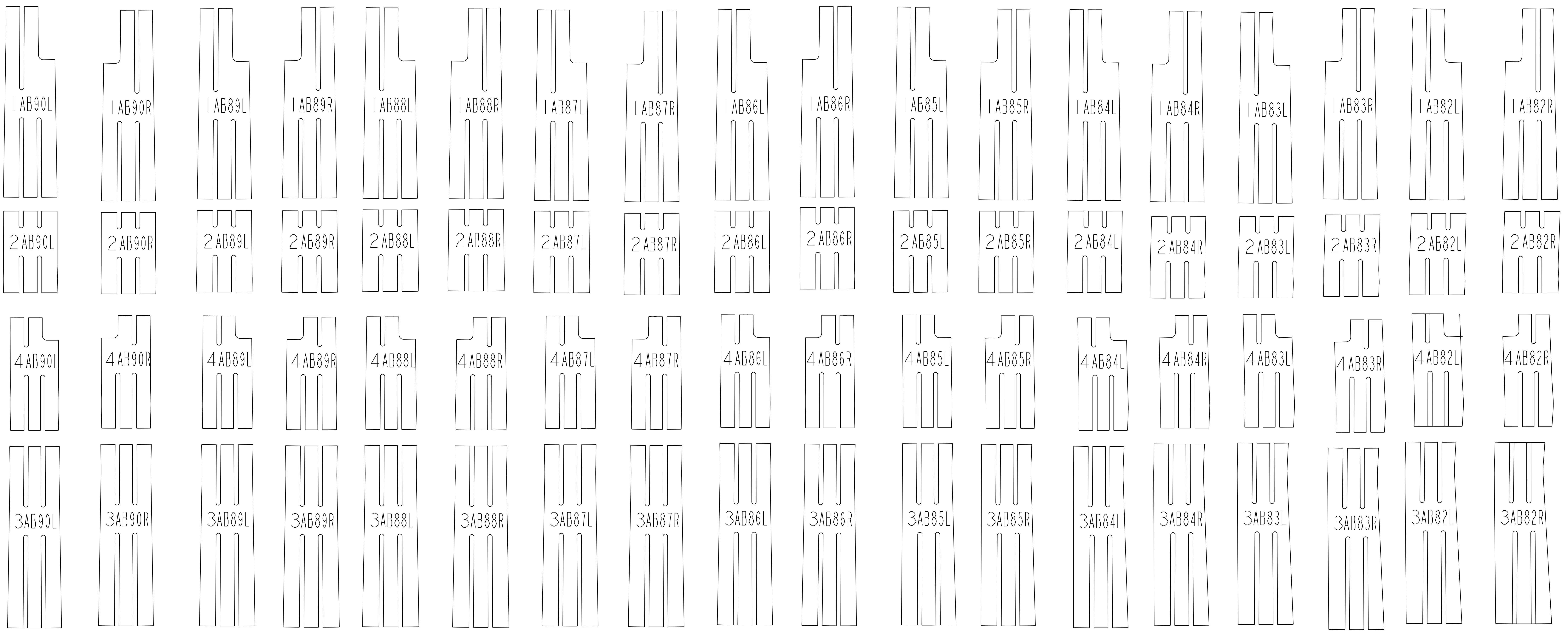


SCALE 1.000

**RELEASED FOR
 FABRICATION / INSTALLATION**
 PPPL Drafting:

Oak Ridge National Laboratory managed for the DEPARTMENT OF ENERGY under U.S. GOVERNMENT contract DE-AC05-00OR22725 UT-BATTELLE, LLC, Oak Ridge, Tennessee						
UT-BATTELLE						
NATIONAL COMPACT STELLARATOR EXPERIMENT MODULAR COIL TYPE-A SIDE-B CLADDING AND CHILL PLATES FLAT PATTERN LAYOUT						
VERSION NO.	PLANT	BLDG	FL	SHT OF	TYPE	CLASS
8	X-10	5700	3	10	12 S	U
RELEASE LEVEL		SE142A-242		REV		0
Fabrication						

SE142A-242

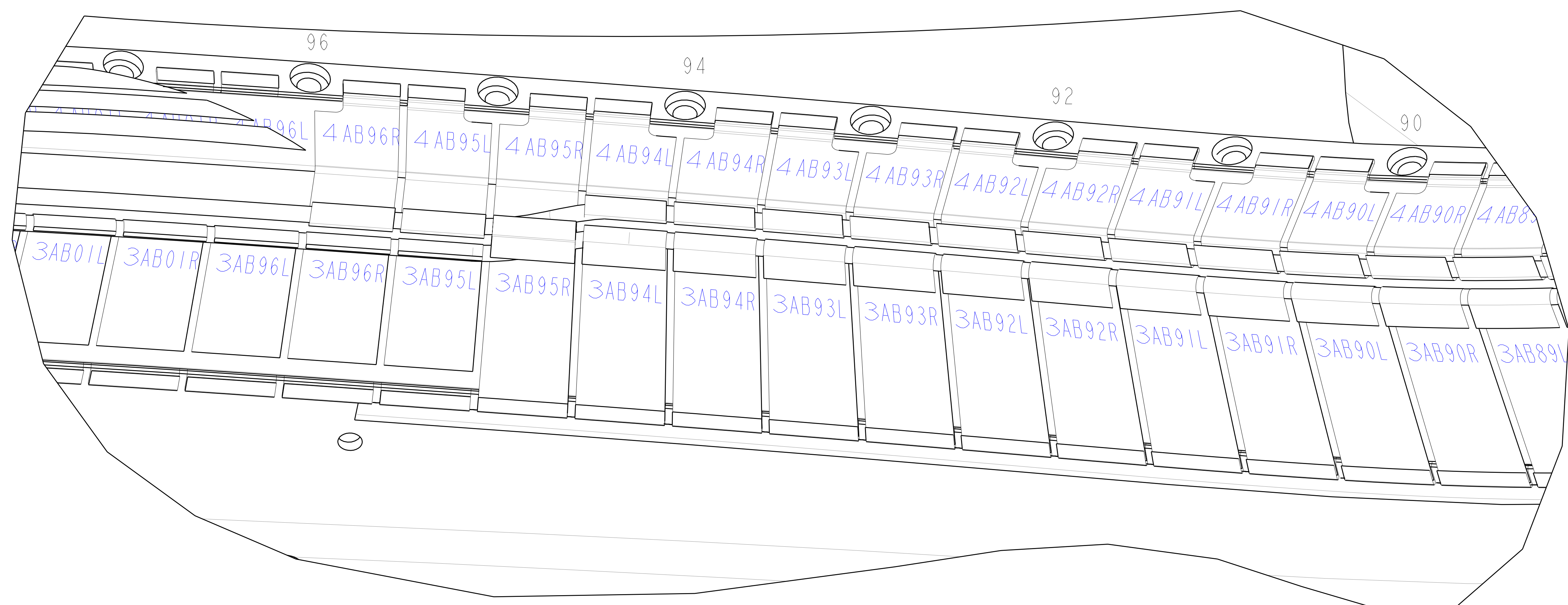
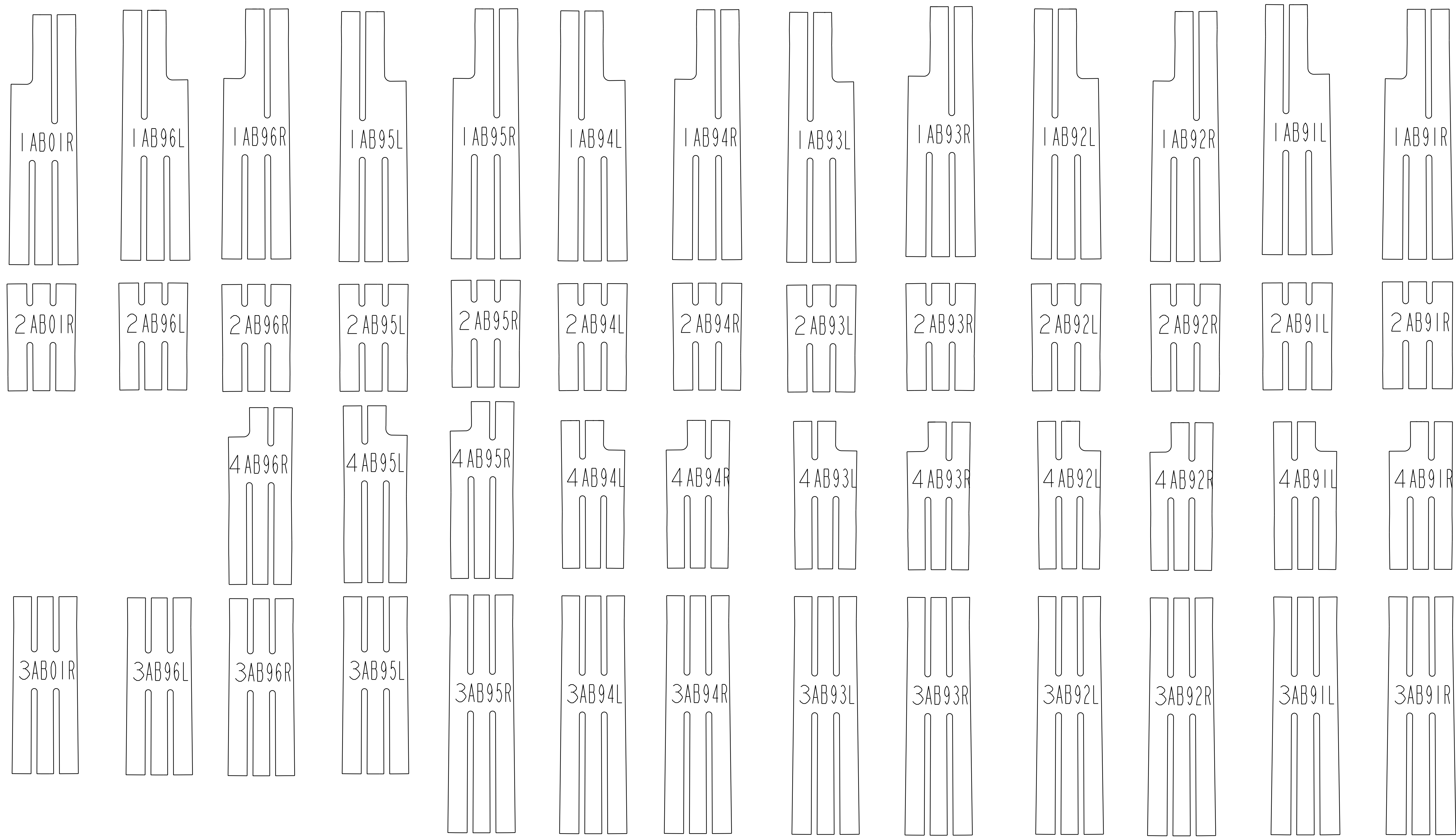


PICTORIAL VIEW
 SCALE 1.00

**RELEASED FOR
 FABRICATION / INSTALLATION**
 PPPL Drafting:

Oak Ridge National Laboratory managed for the DEPARTMENT OF ENERGY under U.S. GOVERNMENT contract DE-AC05-00OR22725 UT-BATTELLE, LLC, Oak Ridge, Tennessee							
UT-BATTELLE NATIONAL COMPACT STELLARATOR EXPERIMENT MODULAR COIL TYPE-A SIDE-B CLADDING AND CHILL PLATES FLAT PATTERN LAYOUT							
VERSION NO.	PLANT	BLDG	FL	SHT	OF	TYPE	CLASS
8	X-10	5700	3	11	12	S	U
RELEASE LEVEL		SE142A-242					
Fabrication		0					

SE142A-242



PICTORIAL VIEW
 SCALE 1.00

**RELEASED FOR
 FABRICATION / INSTALLATION**
 PPPL Drafting:

Oak Ridge National Laboratory <small>managed for the DEPARTMENT OF ENERGY under U.S. GOVERNMENT contract DE-AC05-00OR22725 UT-BATTELLE, LLC, Oak Ridge, Tennessee</small>						
UT-BATTELLE						
NATIONAL COMPACT STELLARATOR EXPERIMENT						
MODULAR COIL TYPE-A SIDE-B CLADDING AND CHILL PLATES FLAT PATTERN LAYOUT						
VERSION NO. 8	PLANT X-10	BLDG 5700	FL 3	SHT OF 12	TYPE 12 S	CLASS U
RELEASE LEVEL Fabrication		SE142A-242			REV 0	

SE142A-242