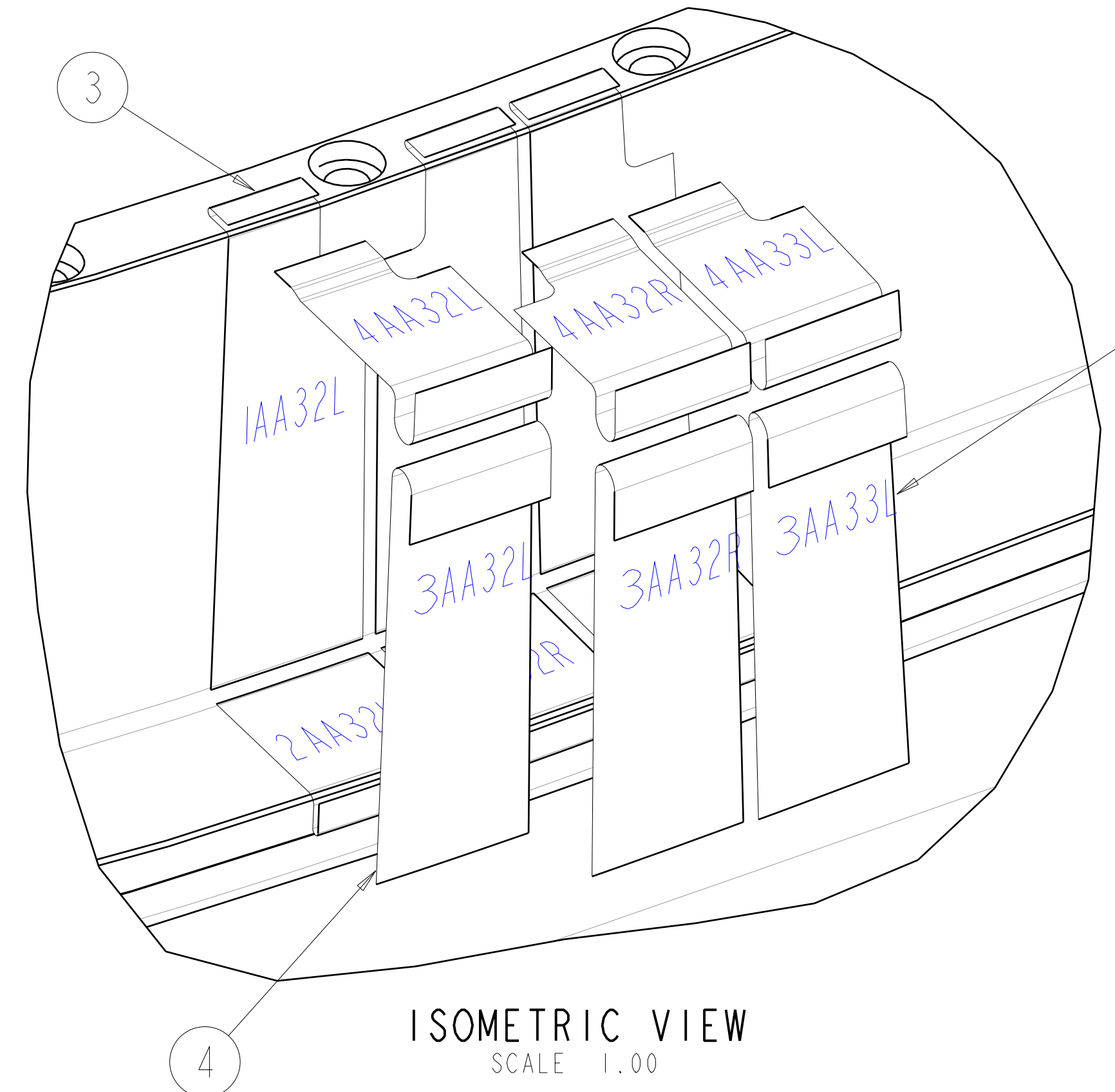
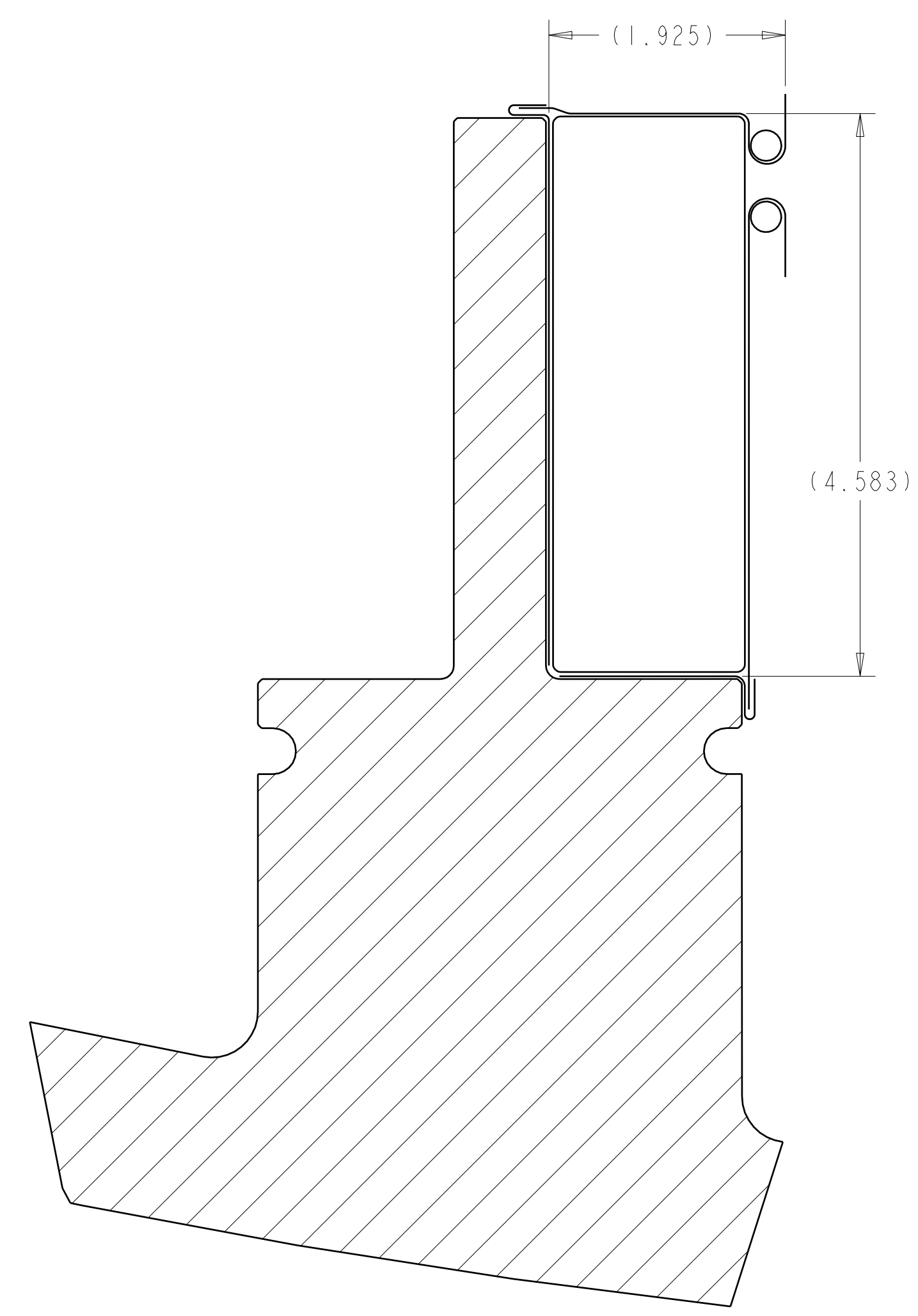
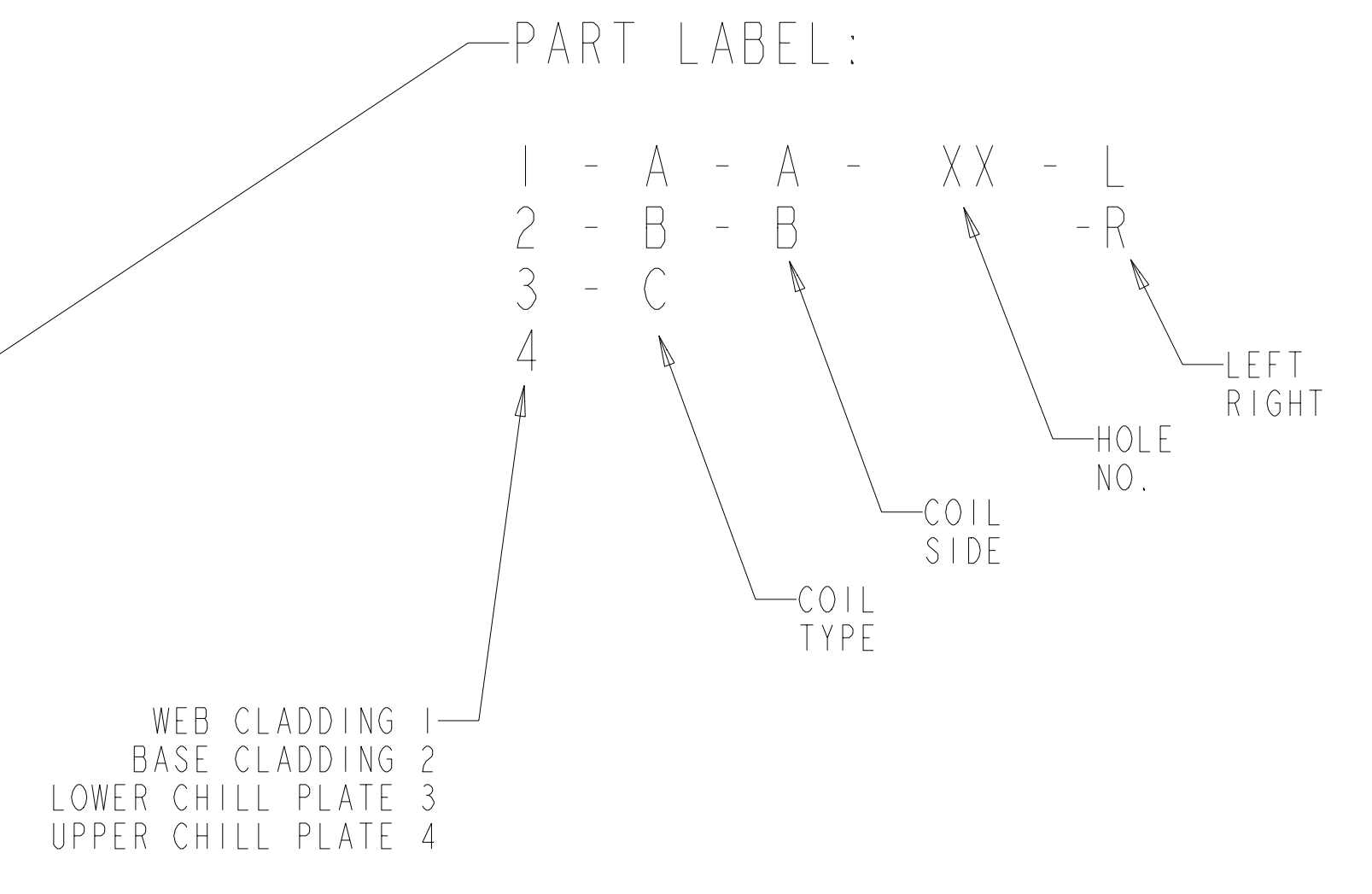


1 TYPE-A SIDE-B ASM
 SCALE 0.25

- NOTES:
1. DRAWING PREPARED IN ACCORDANCE WITH ASME Y14.100-2000.
 2. INTERPRET DIMENSIONS AND TOLERANCES PER ASME Y14.5M-1994.
 3. DIMENSIONS ARE IN INCHES.
 4. DRAWING DEPICTS FLAT PATTERN OF FORMED PARTS DEFINED BY PRO/E MODELS SE142A-245.PRT AND SE142A-247.PRT.
 5. PROFILE TOLERANCE OF FLAT PATTERN IS +/- .010 IN.
 6. THICKNESS IS 0.040 +/- .006 IN. PER ASTM B248.
 7. REMOVE ALL BURRS AND SHARP EDGES.
 8. IDENTIFY PARTS WITH LABEL SHOWN BY ETCHING OR PERMANENT MARKER.



ISOMETRIC VIEW
 SCALE 1.00



TYPICAL SECTION
 SCALE 1.00

**RELEASED FOR
 FABRICATION / INSTALLATION**
 PPPL Drafting:

REV	CAGE CODE	PART OR IDENTIFYING NO	NOMENCLATURE OR DESCRIPTION	MATERIAL / SPECIFICATION	FIND NO
378		SE142A-247	CHILL PLATES	COPPER, ANNEALED UNS C10100, C10200	4
386		SE142A-245	CLADDING	COPPER, ANNEALED UNS C10100, C10200	3
I		SE141-114-SIM	TYPE-A MODULAR COIL WINDING FORM		2
AR X		-I	TYPE-A SIDE-B CLADDING AND CHILL PLATES		1
SE140-101					

← NEXT ASSEMBLY

← PARTS LIST

NO REPRESENTATION OR WARRANTY, EXPRESSED OR IMPLIED, IS MADE AS TO THE ACCURACY, COMPLETENESS OR USEFULNESS OF THE INFORMATION OR STATEMENTS CONTAINED IN THESE DRAWINGS, OR THAT THE USE OR DISCLOSURE OF ANY INFORMATION, APPARATUS, METHOD OR PROCESS DISCLOSED IN THESE DRAWINGS MAY NOT INFRINGE PRIVATE RIGHTS OF OTHERS. NO LIABILITY IS ASSUMED WITH RESPECT TO THE USE OF, OR FOR DAMAGES RESULTING FROM THE USE OF, ANY INFORMATION, APPARATUS, METHOD OR PROCESS DISCLOSED IN THESE DRAWINGS. DRAWINGS MADE AVAILABLE FOR INFORMATION TO BIDDER ARE NOT TO BE USED FOR OTHER PURPOSES, AND ARE TO BE RETURNED UPON REQUEST OF THE FORWARDING CONTRACTOR.

P THIS DRAWING PRODUCED ON PRO-ENGINEER

REV	DESCRIPTION	BY	DATE	CHK	DEPT	DATE	PE	REQ	DATE	ORNL	DOE	DATE

SCALE NOTED

TOLERANCES UNLESS OTHERWISE SPECIFIED

FRACTIONS ± .01
 XX DECIMALS ± .005
 XXX DECIMALS ± .0015
 ANGLES ± 0'15"
 BREAK SHARP EDGES .06 MAX
 FINISH .125 UNLESS OTHERWISE SPECIFIED

DES. T. HARGROVE	3/06
DRW. D. WILLIAMSON	3/06
CHK. M. COLE	3/06
SECT. :	
DEPT. :	
PE. D. WILLIAMSON	3/06
CR. :	
PJ. :	
RED. :	
PPPL DRFT J. SIEGEL	3/06

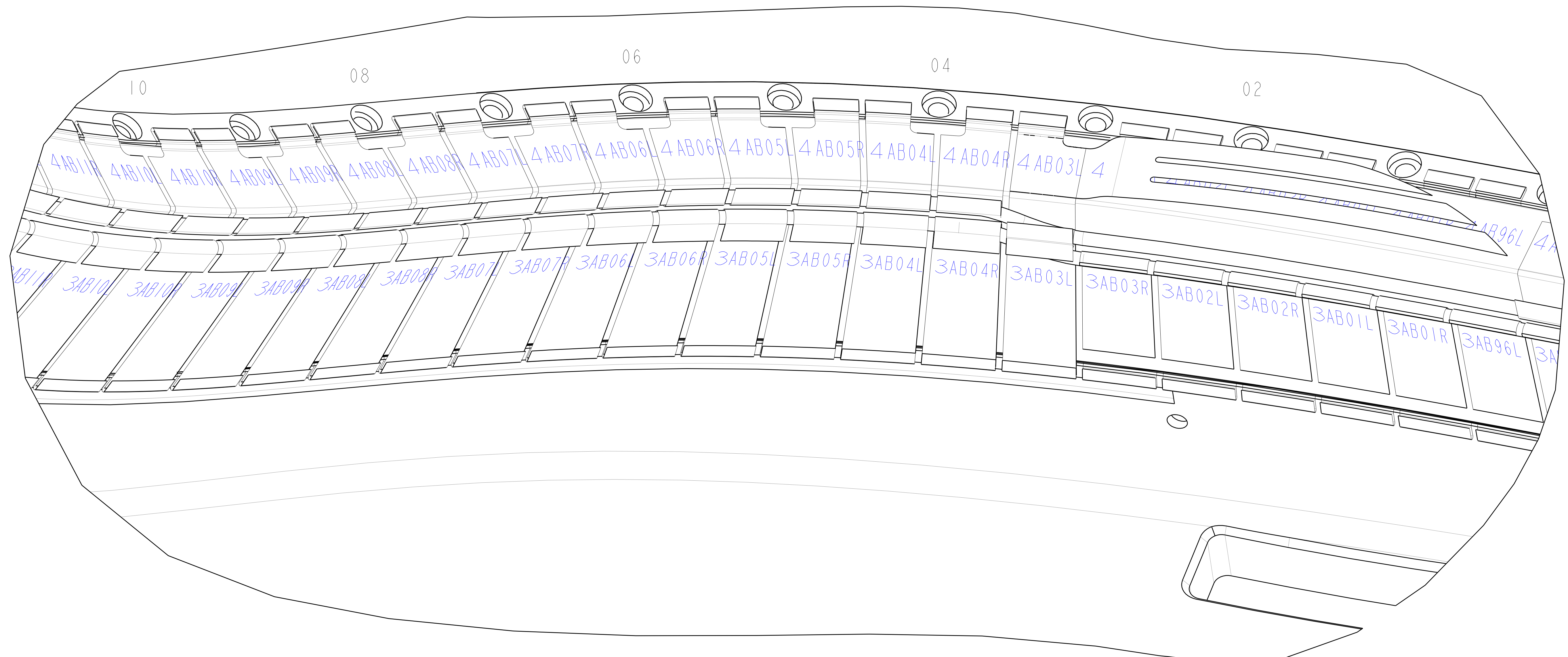
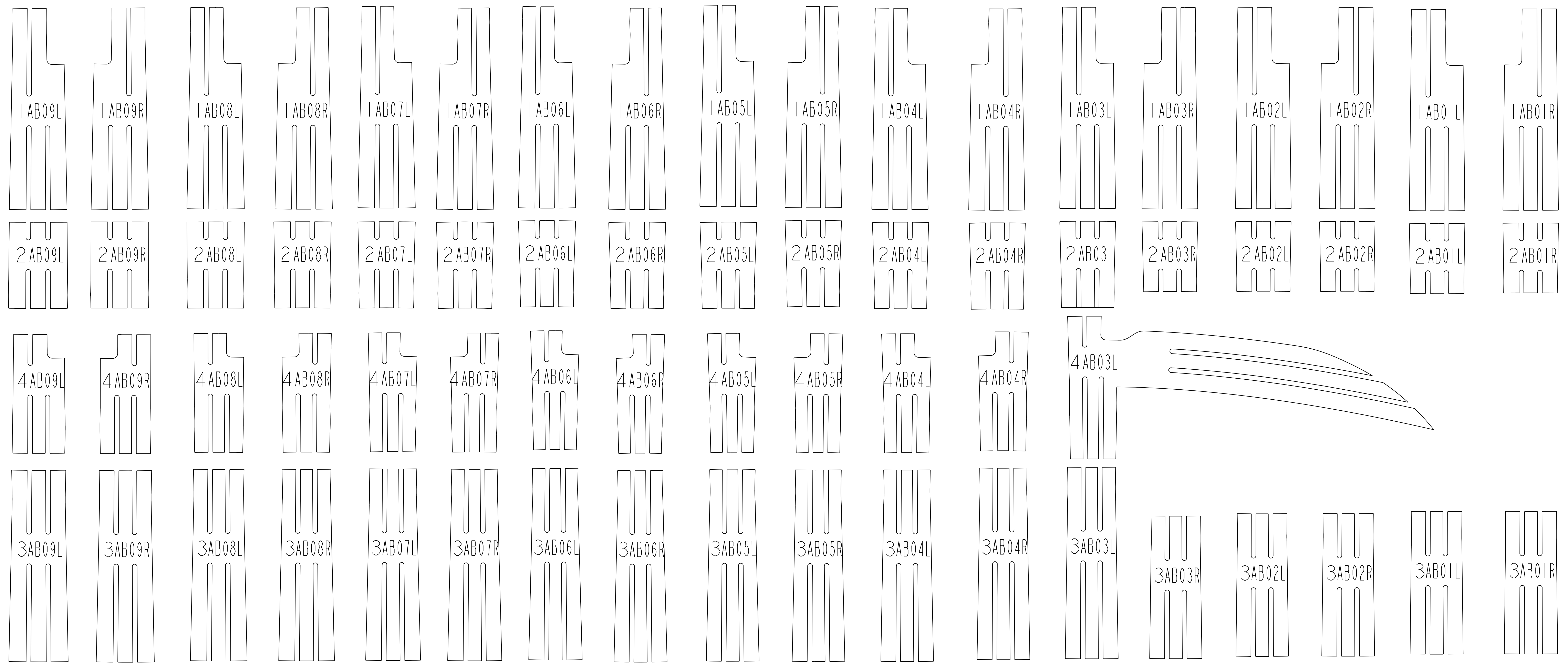
Oak Ridge National Laboratory managed for the DEPARTMENT OF ENERGY under U.S. GOVERNMENT contract DE-AC05-00OR22725 UT-BATTELLE, LLC, Oak Ridge, Tennessee

UT-BATTELLE

NATIONAL COMPACT STELLARATOR EXPERIMENT

MODULAR COIL TYPE-A
 SIDE-B CLADDING AND CHILL PLATES
 FLAT PATTERN LAYOUT

VERSION NO.	PLANT	BLDG	FL	SHT	OF	TYPE	CLASS
8	X-10	5700	3	1	12	S	U
RELEASE LEVEL	Fabrication						REV
	SE142A-242						0

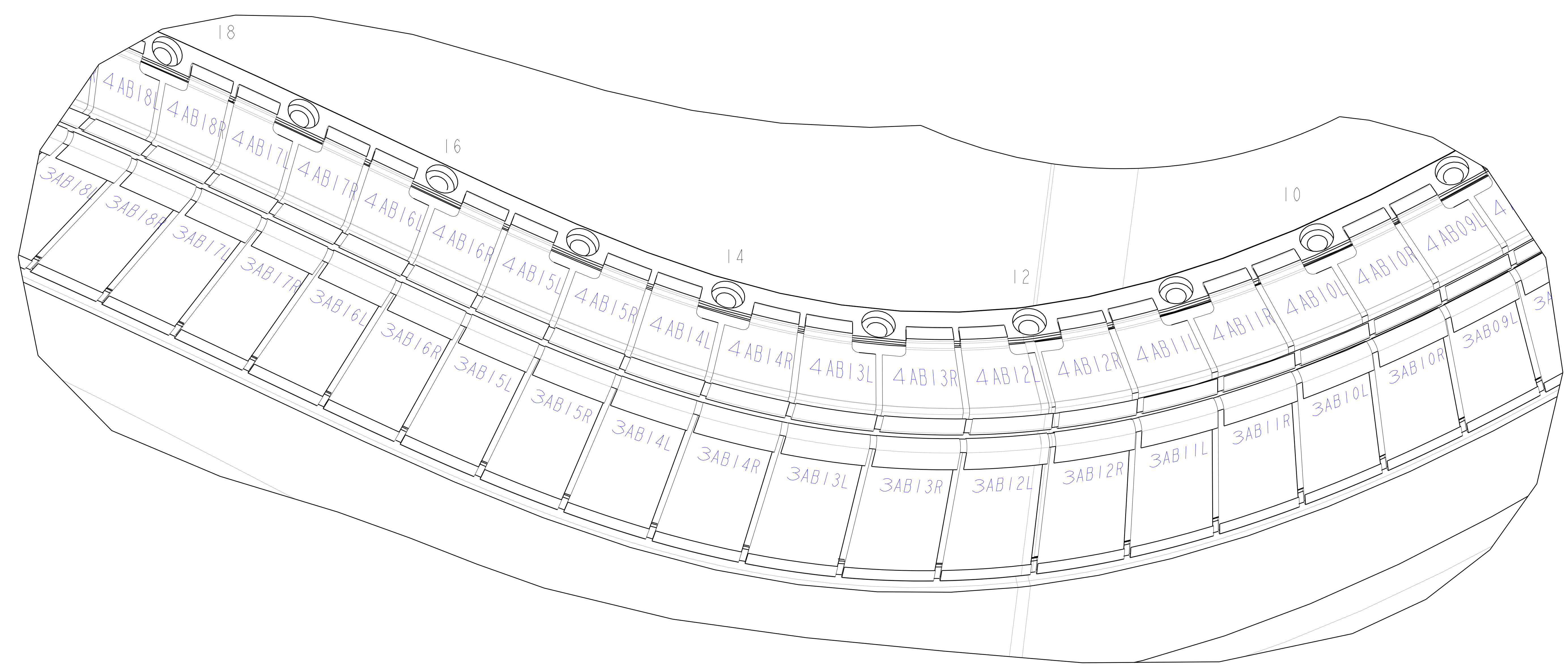
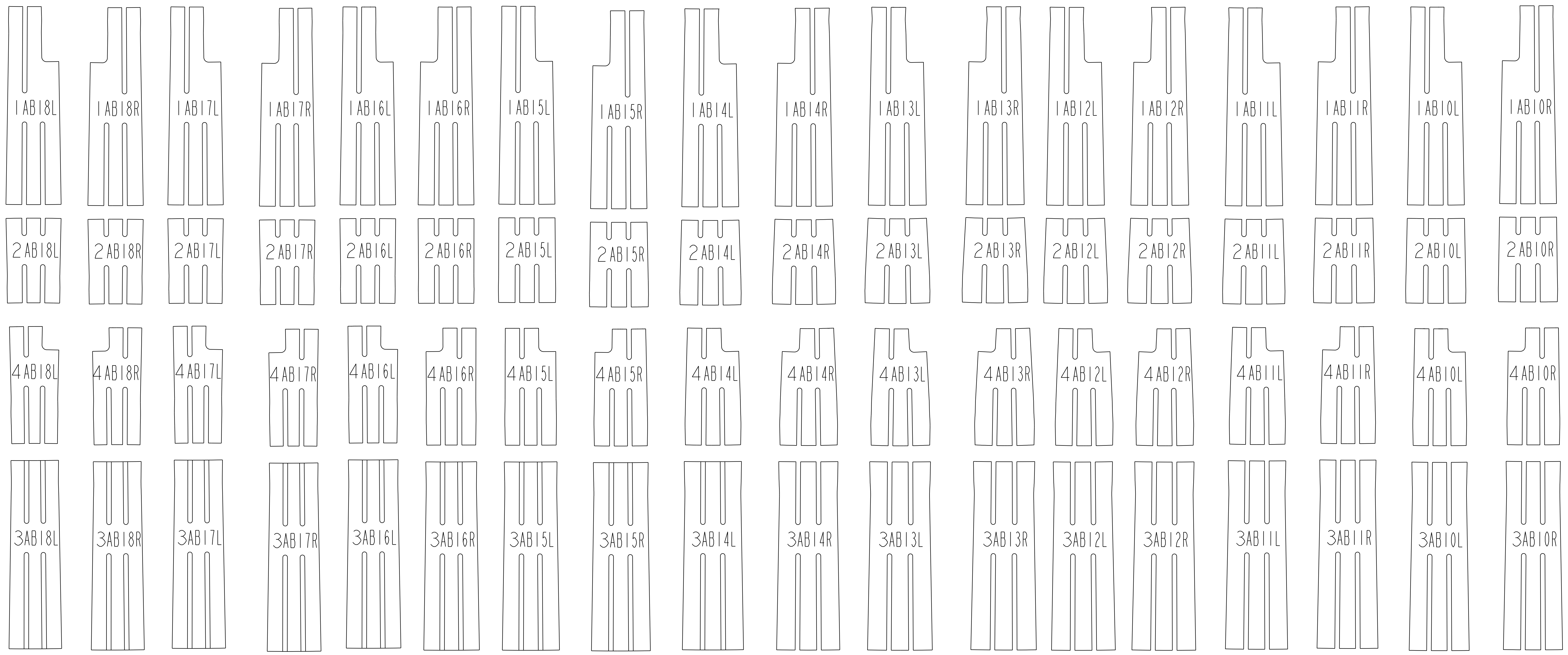


PICTORIAL VIEW
SCALE 1.00

**RELEASED FOR
FABRICATION / INSTALLATION**
PPPL Drafting:

Oak Ridge National Laboratory managed for the DEPARTMENT OF ENERGY under U.S. GOVERNMENT contract DE-AC05-00OR22725 UT-BATTELLE, LLC, Oak Ridge, Tennessee							
UT-BATTELLE NATIONAL COMPACT STELLARATOR EXPERIMENT MODULAR COIL TYPE-A SIDE-B CLADDING AND CHILL PLATES FLAT PATTERN LAYOUT							
VERSION NO.	PLANT	BLDG	FL	SHT OF	TYPE	CLASS	
8	X-10	5700	3	2	12	S	U
RELEASE LEVEL		SE142A-242					
Fabrication							
							REV 0

SE142A-242



PICTORIAL VIEW SCALE 1.00

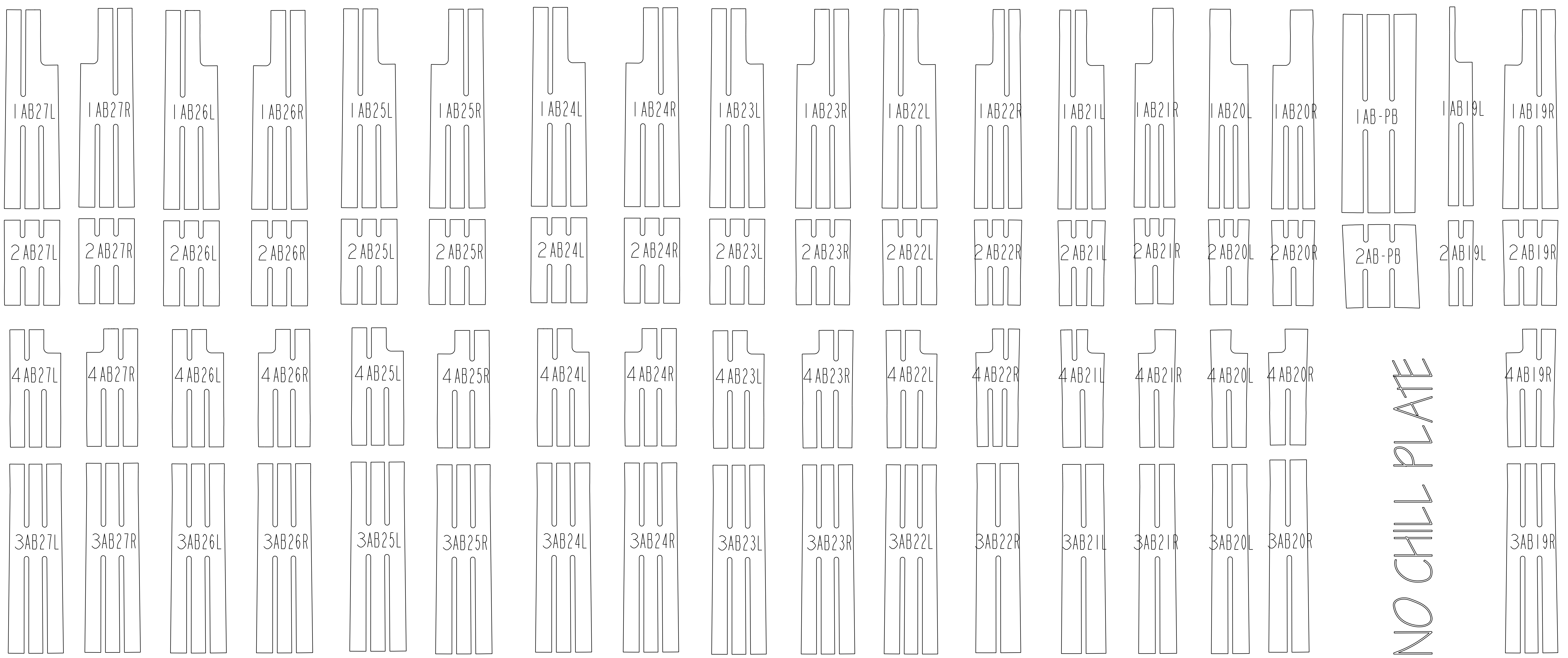
**RELEASED FOR
FABRICATION / INSTALLATION**

PPPL Drafting:

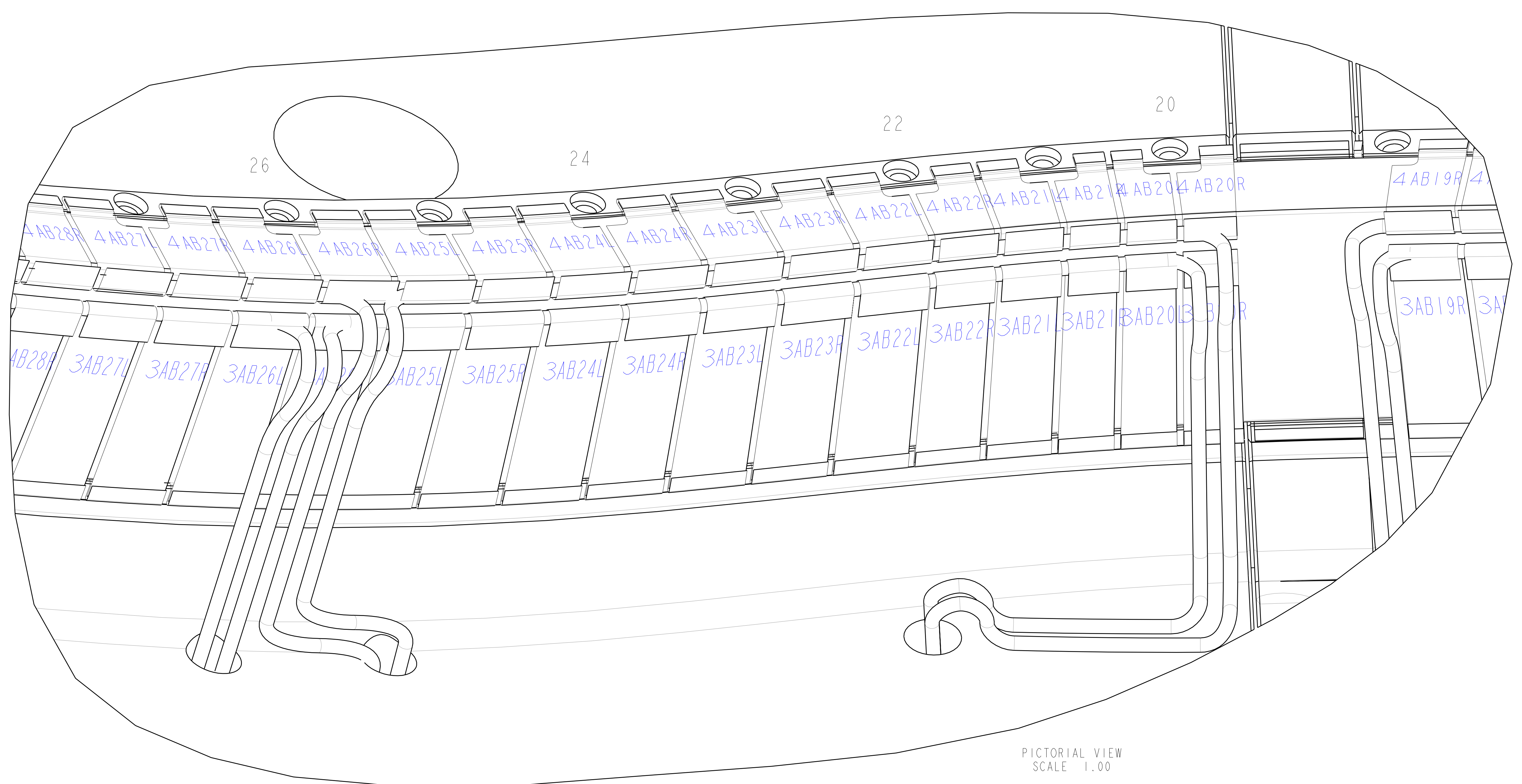
Oak Ridge National Laboratory managed for the DEPARTMENT OF ENERGY under U.S. GOVERNMENT contract DE-AC05-00OR22725 UT-BATTELLE, LLC, Oak Ridge, Tennessee							
UT-BATTELLE NATIONAL COMPACT STELLARATOR EXPERIMENT MODULAR COIL TYPE-A SIDE-B CLADDING AND CHILL PLATES FLAT PATTERN LAYOUT							
VERSION NO.	PLANT	BLDG	FL	SHT	OF	TYPE	CLASS
8	X-10	5700	3	3	12	S	U
RELEASE LEVEL		REV					
Fabrication		SE142A-242 0					

SE142A-242

A



NO CHILL PLATE

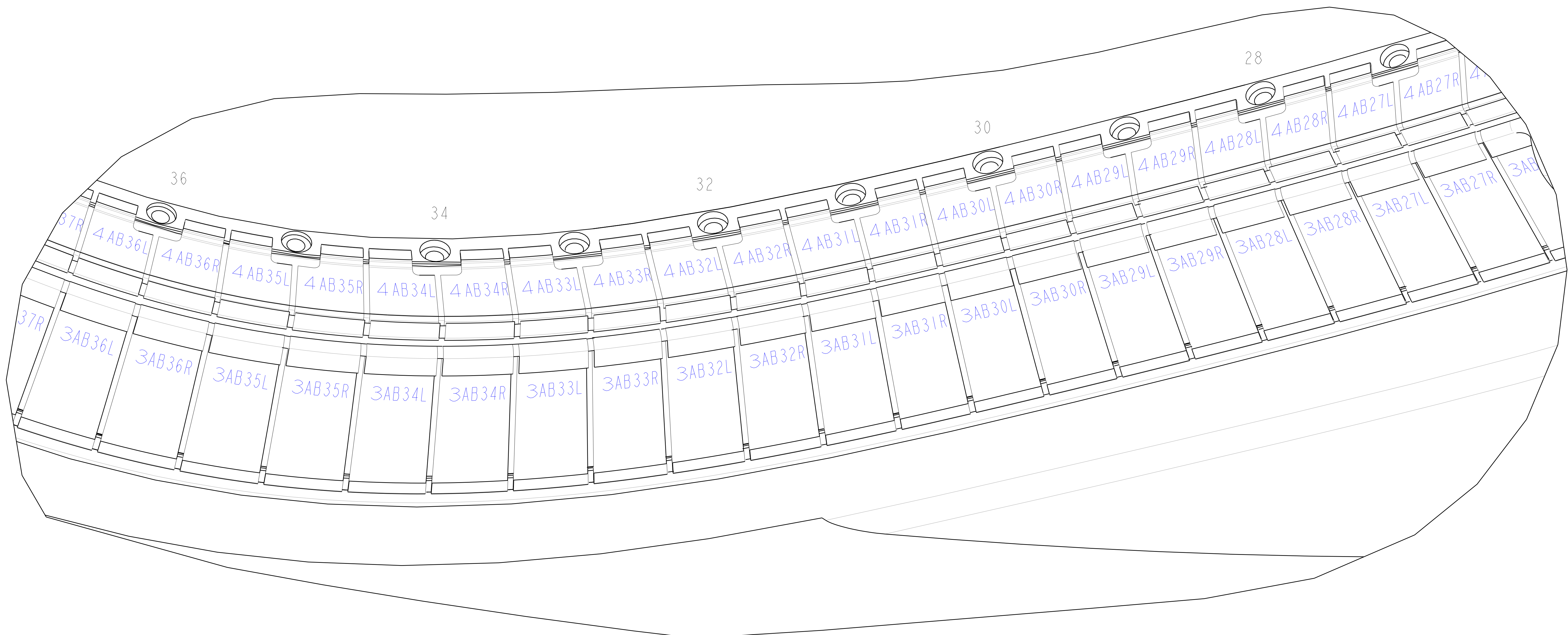
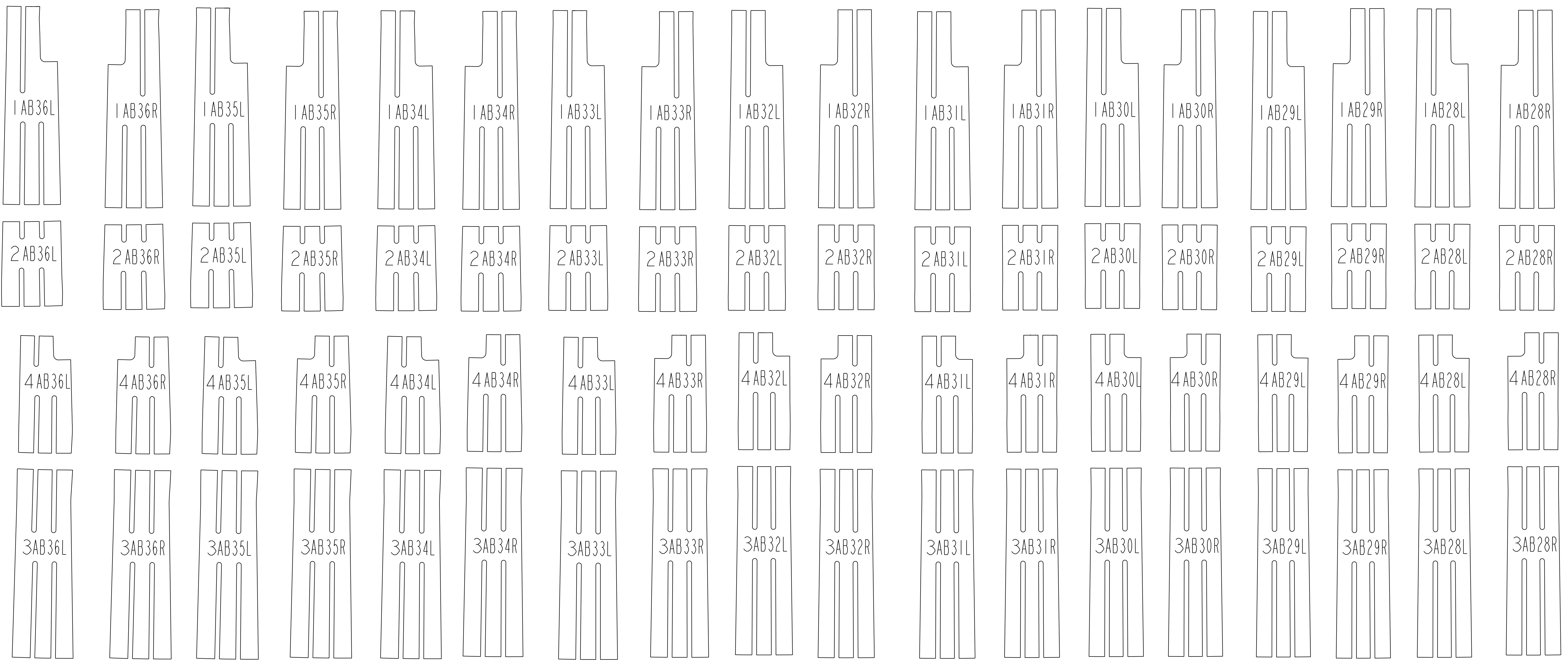


PICTORIAL VIEW
 SCALE 1.00

**RELEASED FOR
 FABRICATION / INSTALLATION**
 PPPL Drafting:

Oak Ridge National Laboratory managed for the DEPARTMENT OF ENERGY under U.S. GOVERNMENT contract DE-AC05-00OR22725 UT-BATTELLE, LLC, Oak Ridge, Tennessee PROJECT NAME:							
NATIONAL COMPACT STELLARATOR EXPERIMENT MODULAR COIL TYPE-A SIDE-B CLADDING AND CHILL PLATES FLAT PATTERN LAYOUT							
VERSION NO.	PLANT	BLDG	FL	SHT OF	TYPE	CLASS	
8	X-10	5700	3	4	12	S	U
RELEASE LEVEL		SE142A-242					
Fabrication		0					

SE142A-242



PICTORIAL VIEW SCALE 1.00

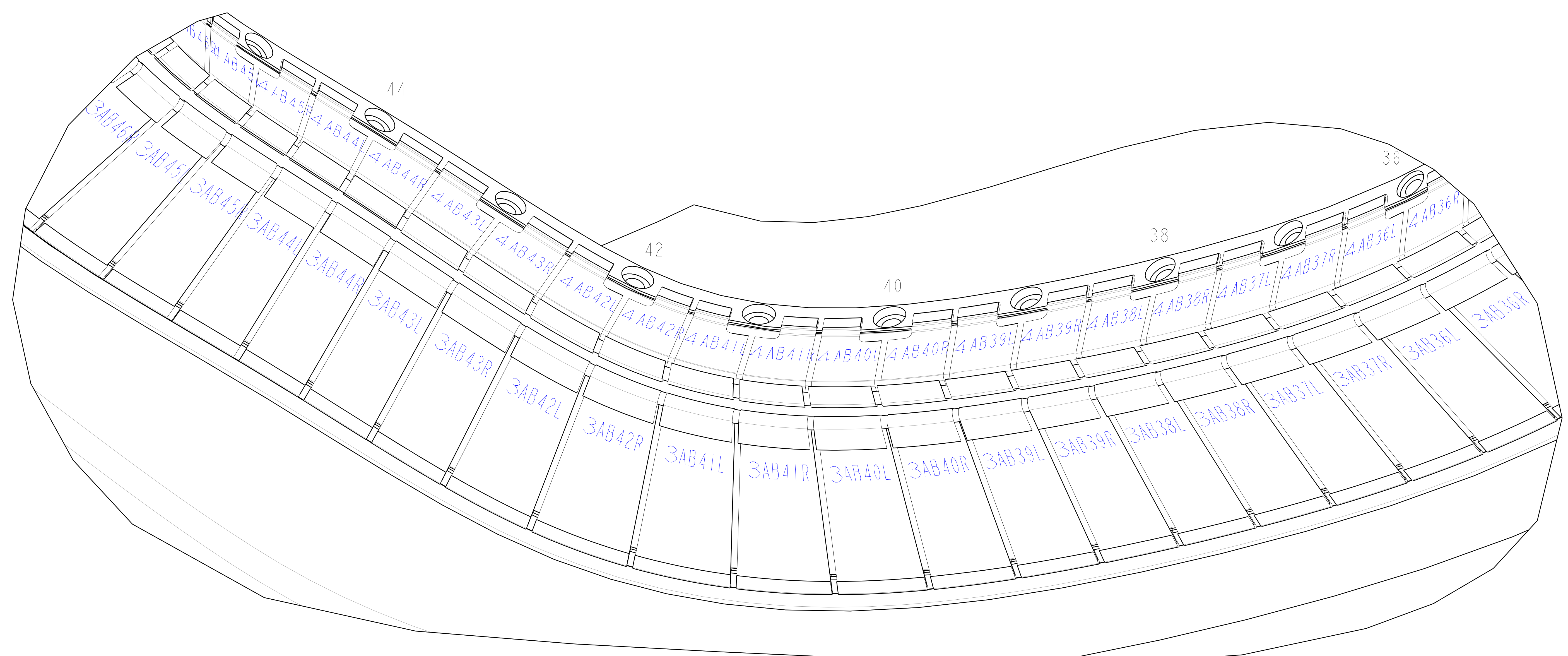
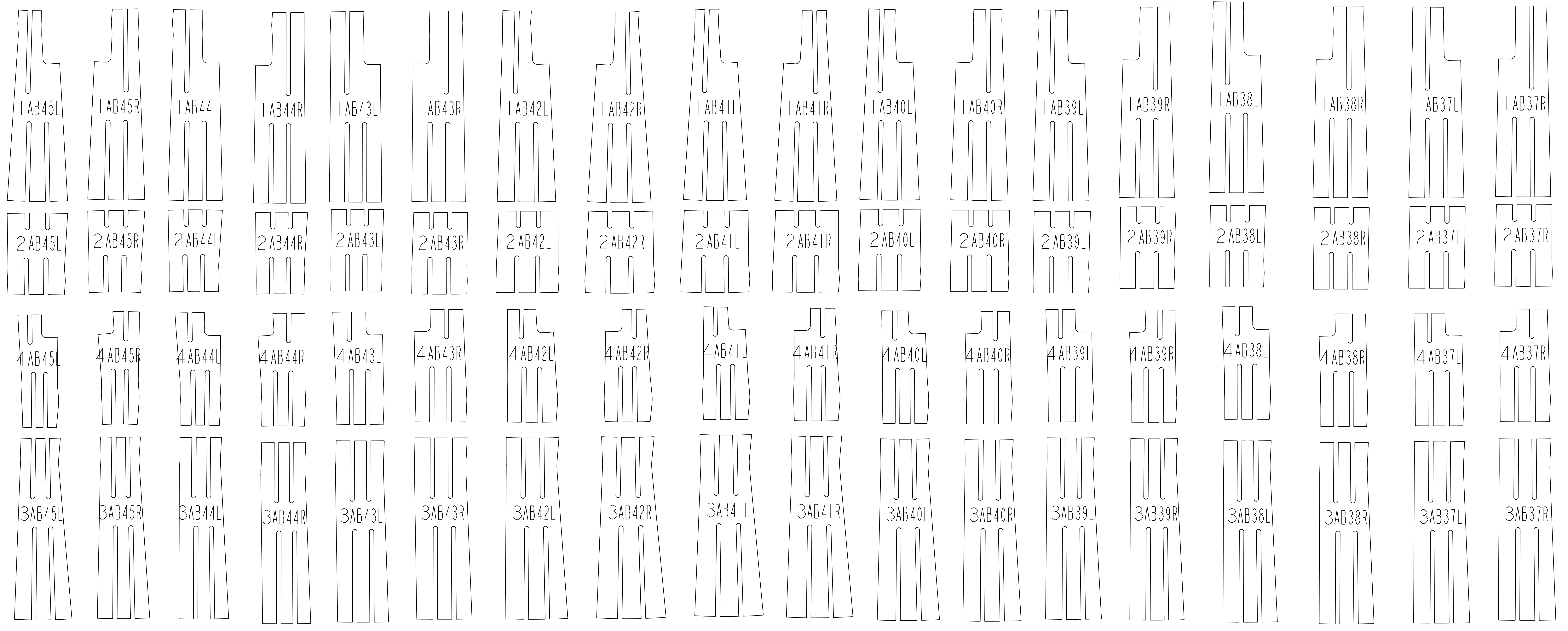
**RELEASED FOR
FABRICATION / INSTALLATION**

PPPL Drafting:

UT-BATTELLE		Oak Ridge National Laboratory managed for the DEPARTMENT OF ENERGY under U.S. GOVERNMENT contract DE-AC05-00OR22725 UT-BATTELLE, LLC, Oak Ridge, Tennessee					
NATIONAL COMPACT STELLARATOR EXPERIMENT							
MODULAR COIL TYPE-A SIDE-B CLADDING AND CHILL PLATES FLAT PATTERN LAYOUT							
VERSION NO. 8	PLANT X-10	BLDG 5700	FL 3	SHT OF 5	TYPE 12 S	CLASS U	
RELEASE LEVEL Fabrication		SE142A-242				REV 0	

SE142A-242

A

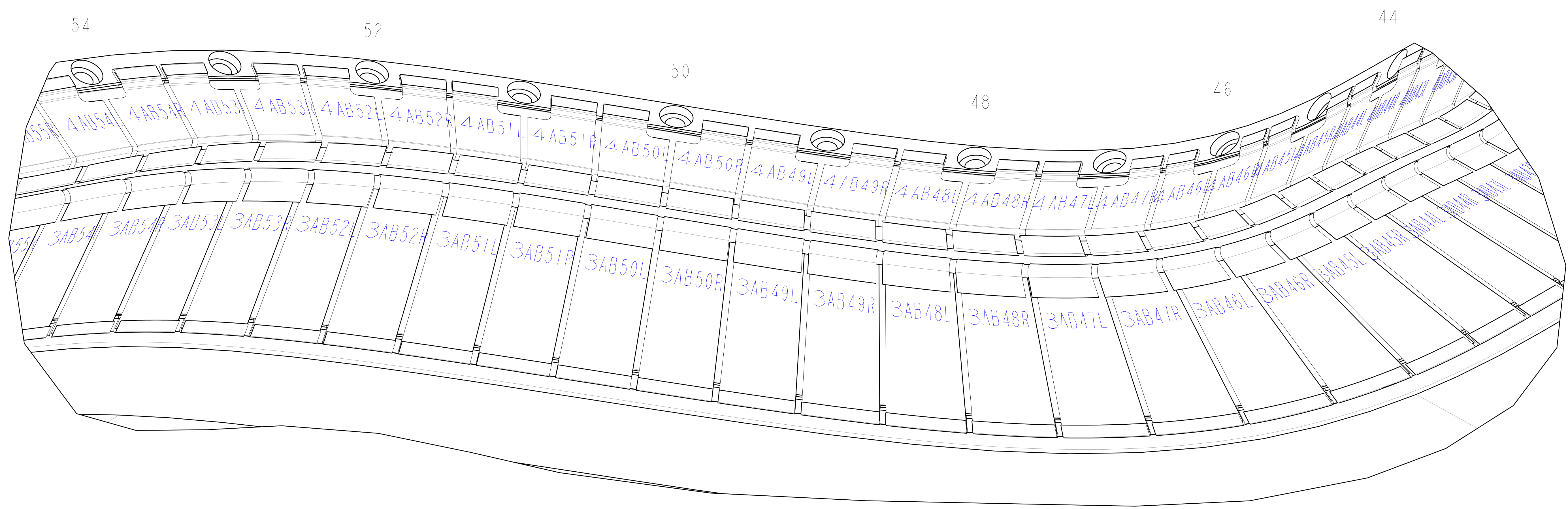
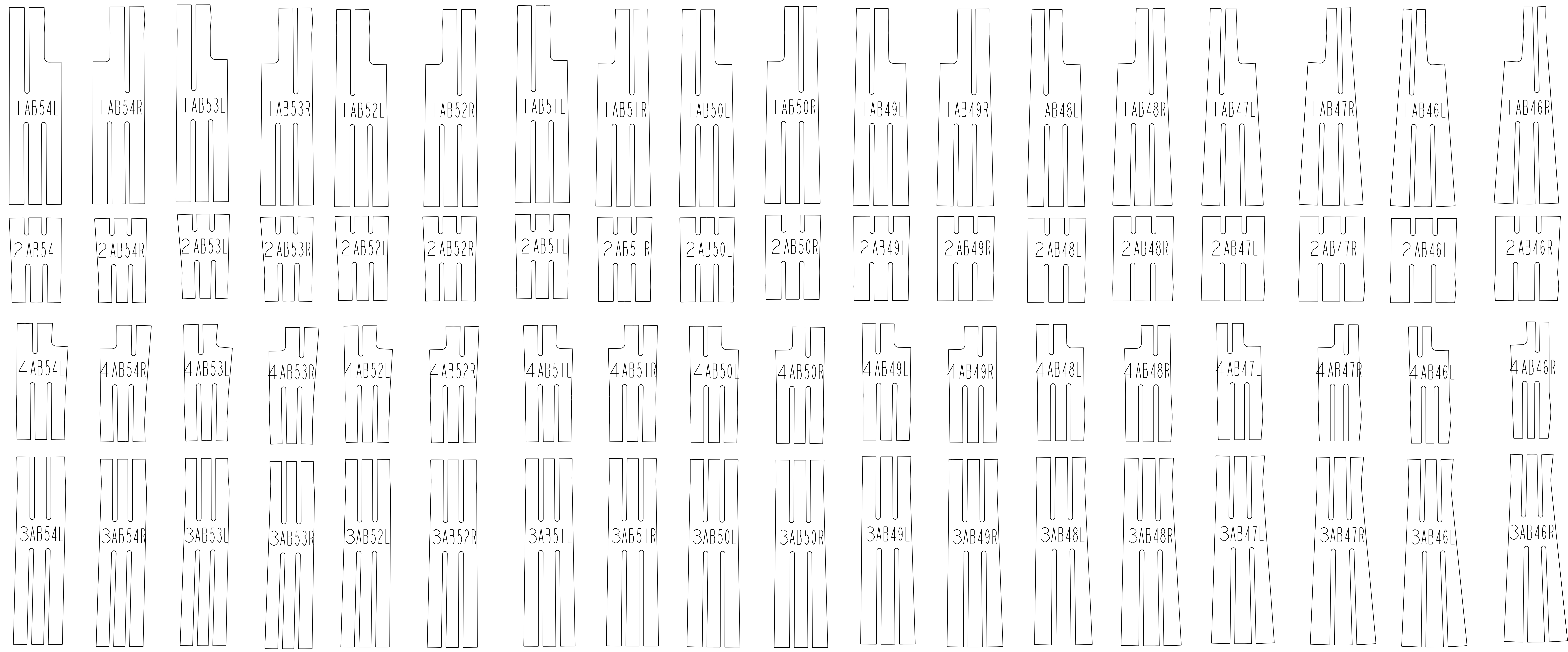


PICTORIAL VIEW
SCALE 1.00

**RELEASED FOR
FABRICATION / INSTALLATION**
PPPL Drafting:

UT-BATTELLE <small>Oak Ridge National Laboratory managed for the DEPARTMENT OF ENERGY under U.S. GOVERNMENT contract DE-AC05-00OR22725 UT-BATTELLE, LLC. Oak Ridge, Tennessee</small>							
NATIONAL COMPACT STELLARATOR EXPERIMENT MODULAR COIL TYPE-A SIDE-B CLADDING AND CHILL PLATES FLAT PATTERN LAYOUT							
VERSION NO.	PLANT	BLDG	FL	SHT OF	TYPE	CLASS	
8	X-10	5700	3	6	12	S	U
RELEASE LEVEL							
Fabrication		SE142A-242					
							REV 0

SE142A-242

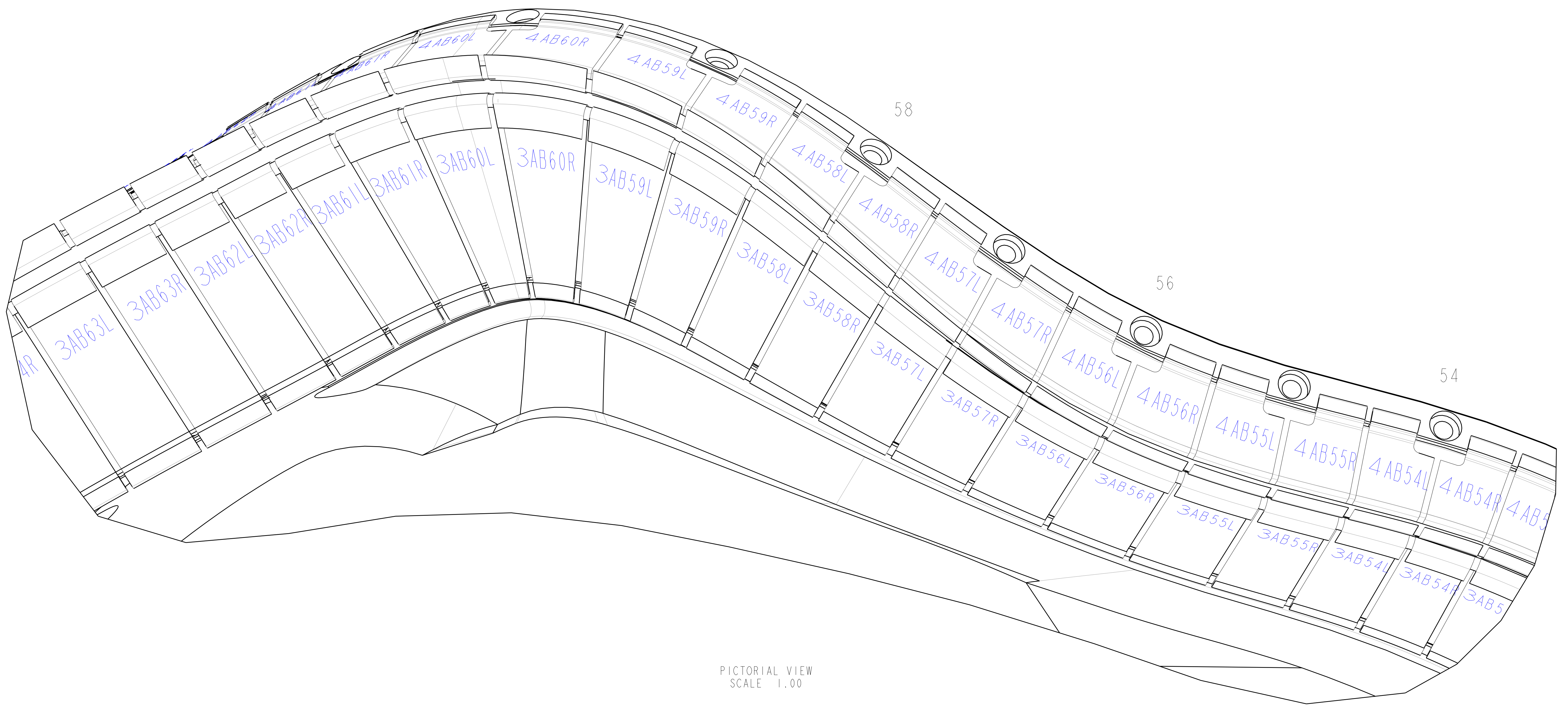
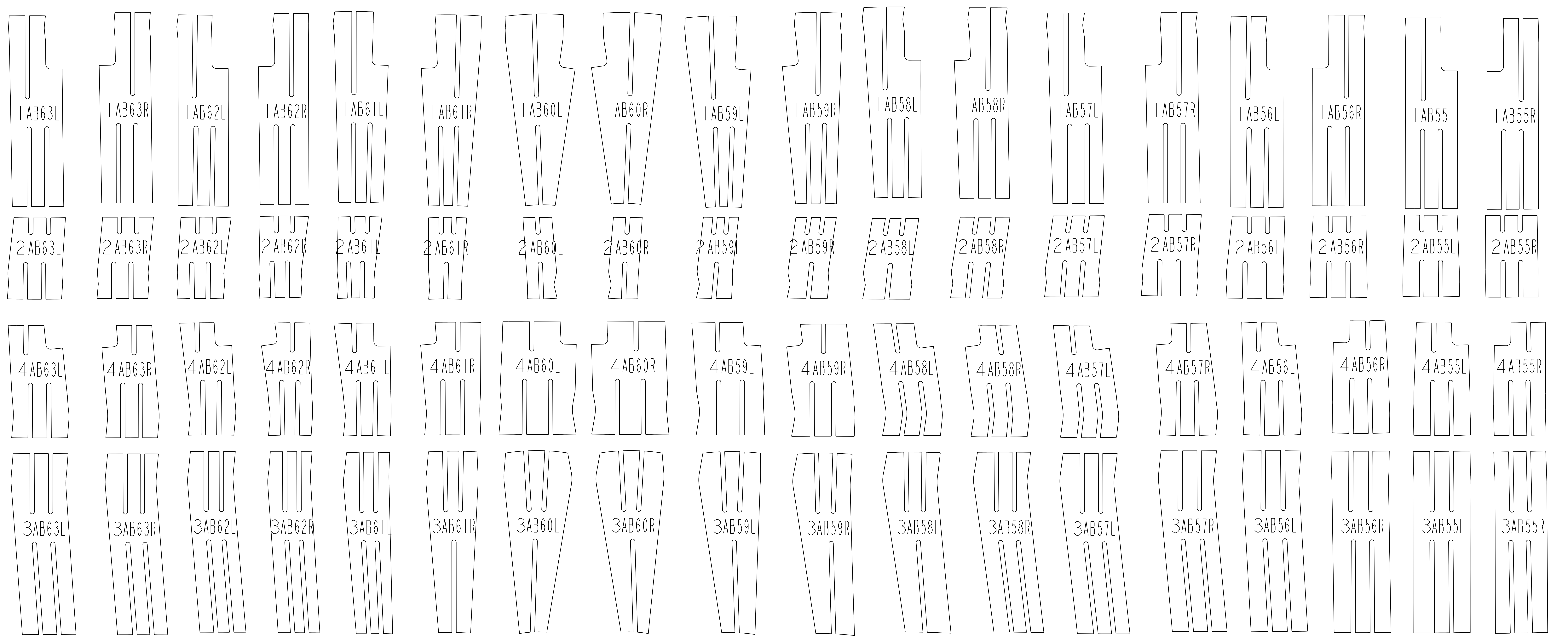


PICTORIAL VIEW
 SCALE 1.00

**RELEASED FOR
 FABRICATION / INSTALLATION**
 PPPL Drafting:

Oak Ridge National Laboratory managed for the DEPARTMENT OF ENERGY under U.S. GOVERNMENT contract DE-AC05-00OR22725 UT-BATTELLE, LLC, Oak Ridge, Tennessee PROJECT NAME:						
NATIONAL COMPACT STELLARATOR EXPERIMENT MODULAR COIL TYPE-A SIDE-B CLADDING AND CHILL PLATES FLAT PATTERN LAYOUT						
VERSION NO.	PLANT	BLDG	FL	SHT OF	TYPE	CLASS
8	X-10	5700	3	7	12	S
RELEASE LEVEL		SE142A-242				REV
Fabrication						0

SE142A-242

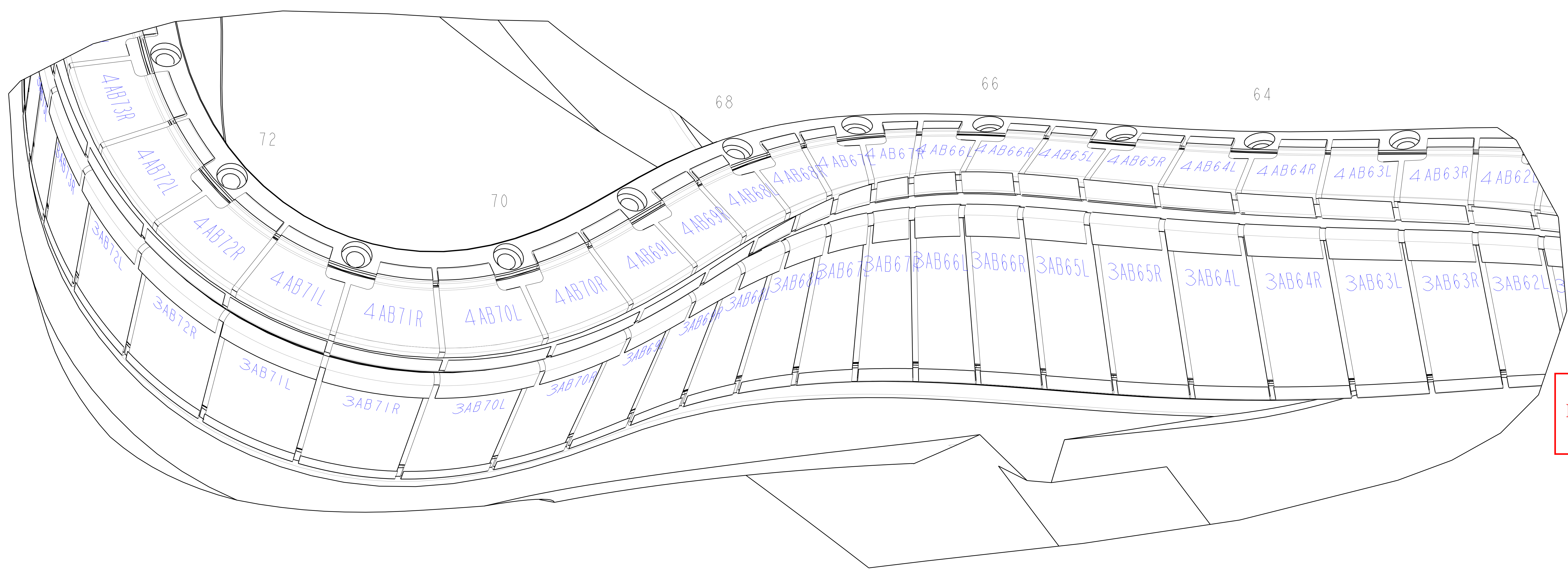
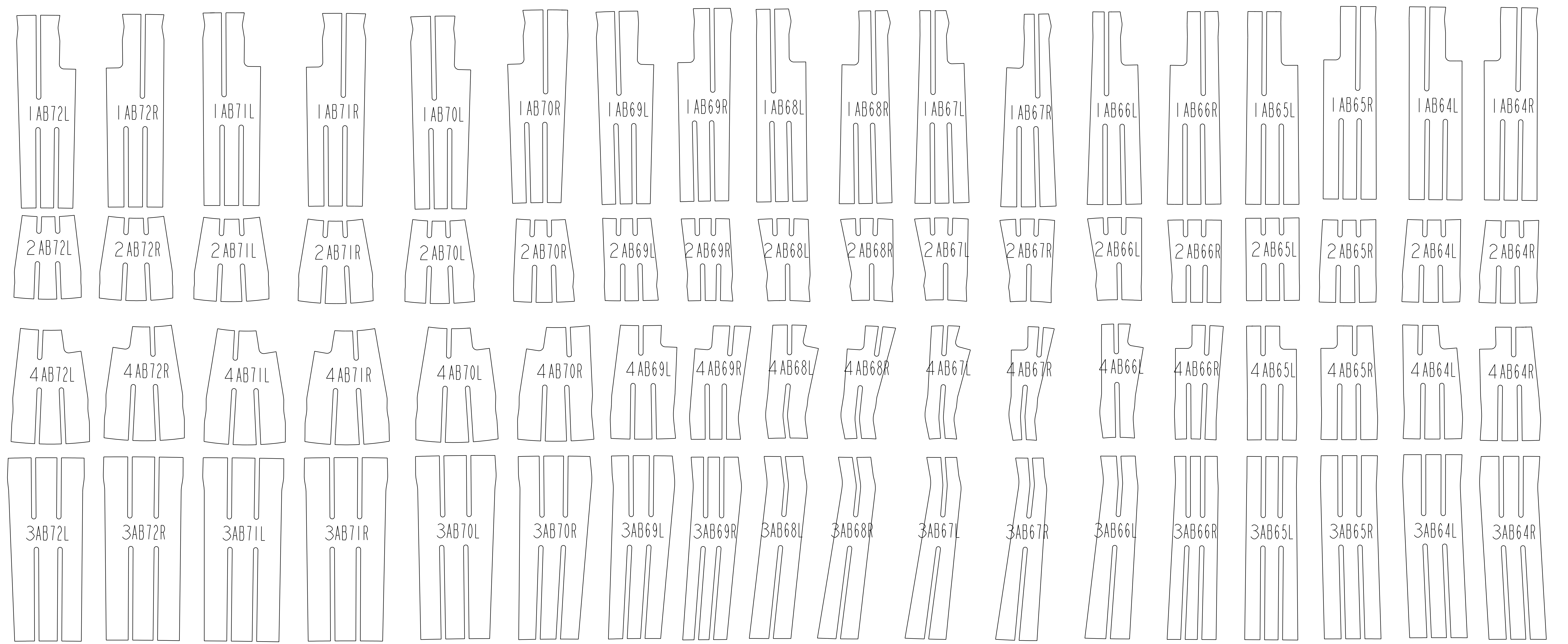


PICTORIAL VIEW
 SCALE 1.00

**RELEASED FOR
 FABRICATION / INSTALLATION**
 PPPL Drafting:

Oak Ridge National Laboratory managed for the DEPARTMENT OF ENERGY under U.S. GOVERNMENT contract DE-AC05-00OR22725 UT-BATTELLE, LLC, Oak Ridge, Tennessee							
UT-BATTELLE							
NATIONAL COMPACT STELLARATOR EXPERIMENT MODULAR COIL TYPE-A SIDE-B CLADDING AND CHILL PLATES FLAT PATTERN LAYOUT							
VERSION NO.	PLANT	BLDG	FL	SHT	OF	TYPE	CLASS
8	X-10	5700	3	8	12	S	U
RELEASE LEVEL		SE142A-242					
Fabrication							

SE142A-242



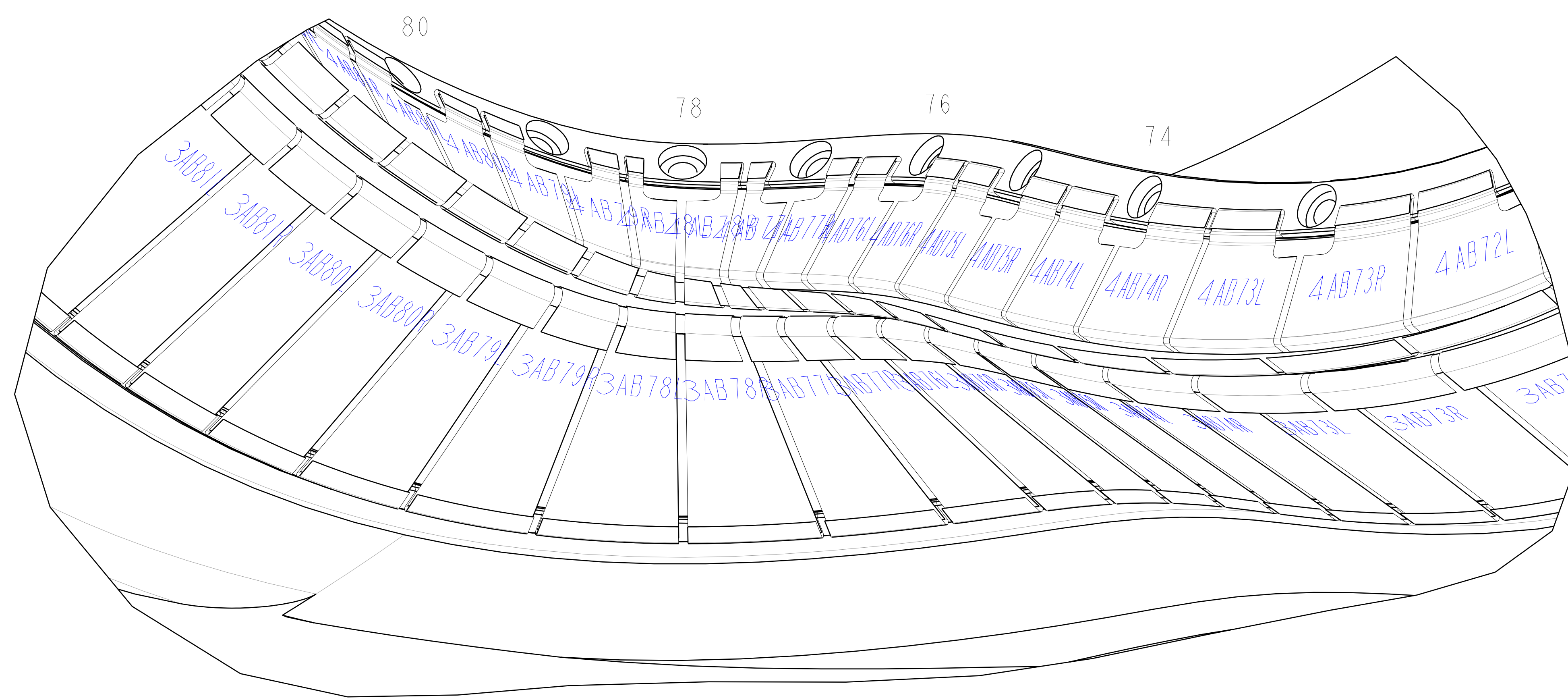
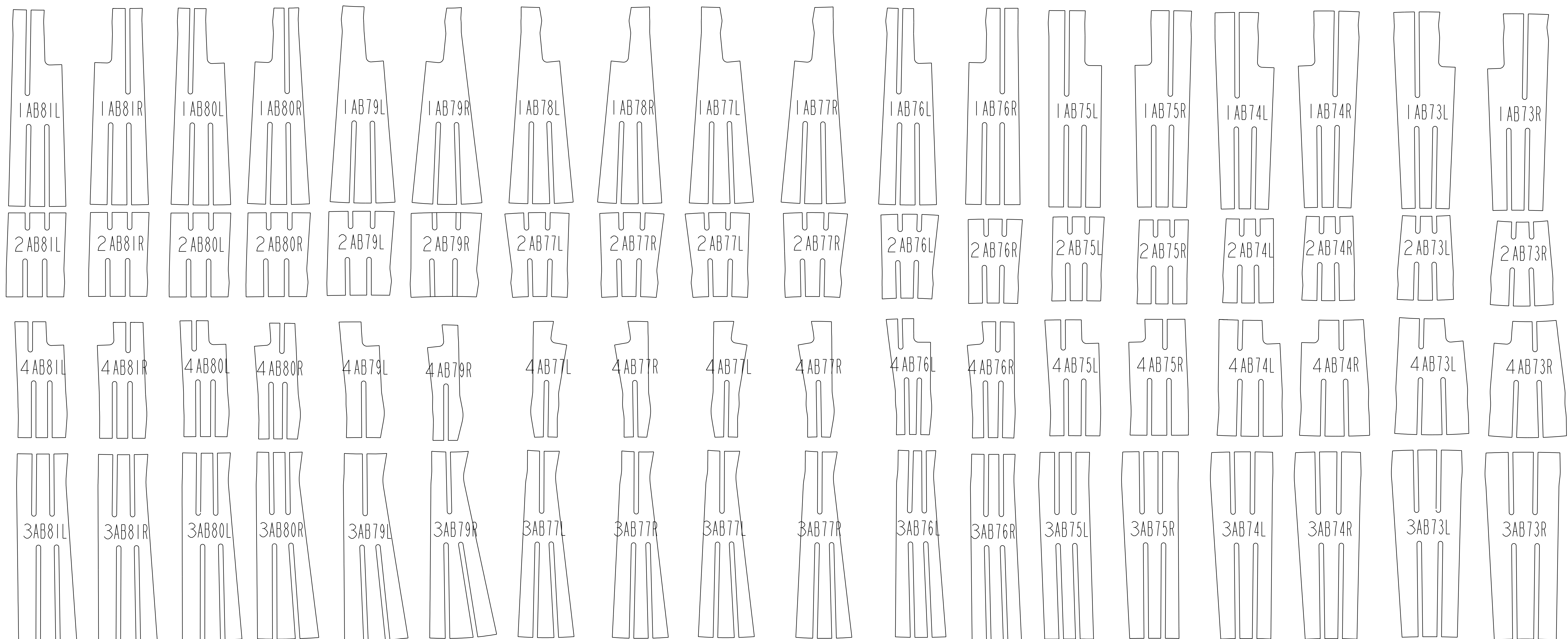
**RELEASED FOR
 FABRICATION / INSTALLATION**
 PPPL Drafting:

SCALE 1,000

Oak Ridge National Laboratory managed for the DEPARTMENT OF ENERGY under U.S. GOVERNMENT contract DE-AC05-00OR22725 UT-BATTELLE, LLC, Oak Ridge, Tennessee							
UT-BATTELLE							
NATIONAL COMPACT STELLARATOR EXPERIMENT MODULAR COIL TYPE-A SIDE-B CLADDING AND CHILL PLATES FLAT PATTERN LAYOUT							
VERSION NO.	PLANT	BLDG	FL	SHT	OF	TYPE	CLASS
8	X-10	5700	3	9	12	S	U
RELEASE LEVEL		SE142A-242					
Fabrication		0					

H
G
F
E
D
C
B
A

H
G
F
E
D
C
B
A



SCALE 1.000

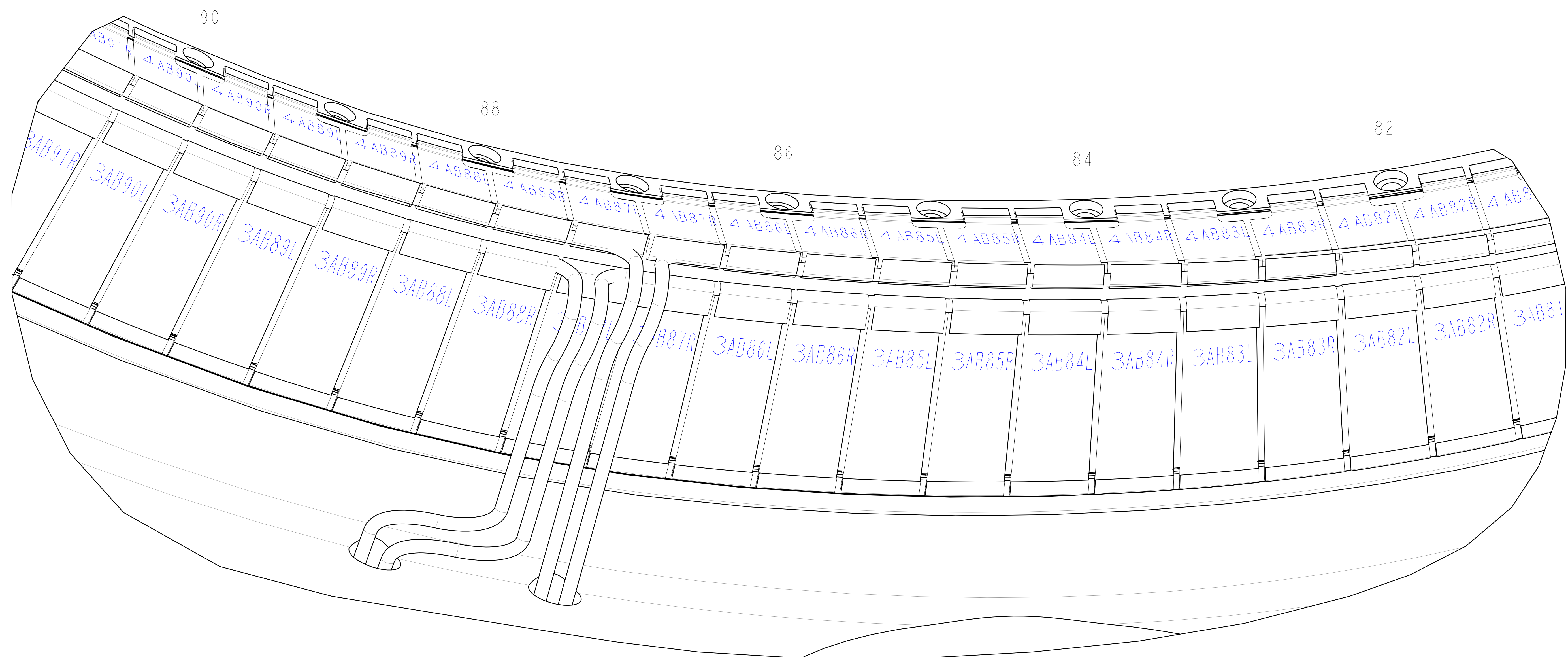
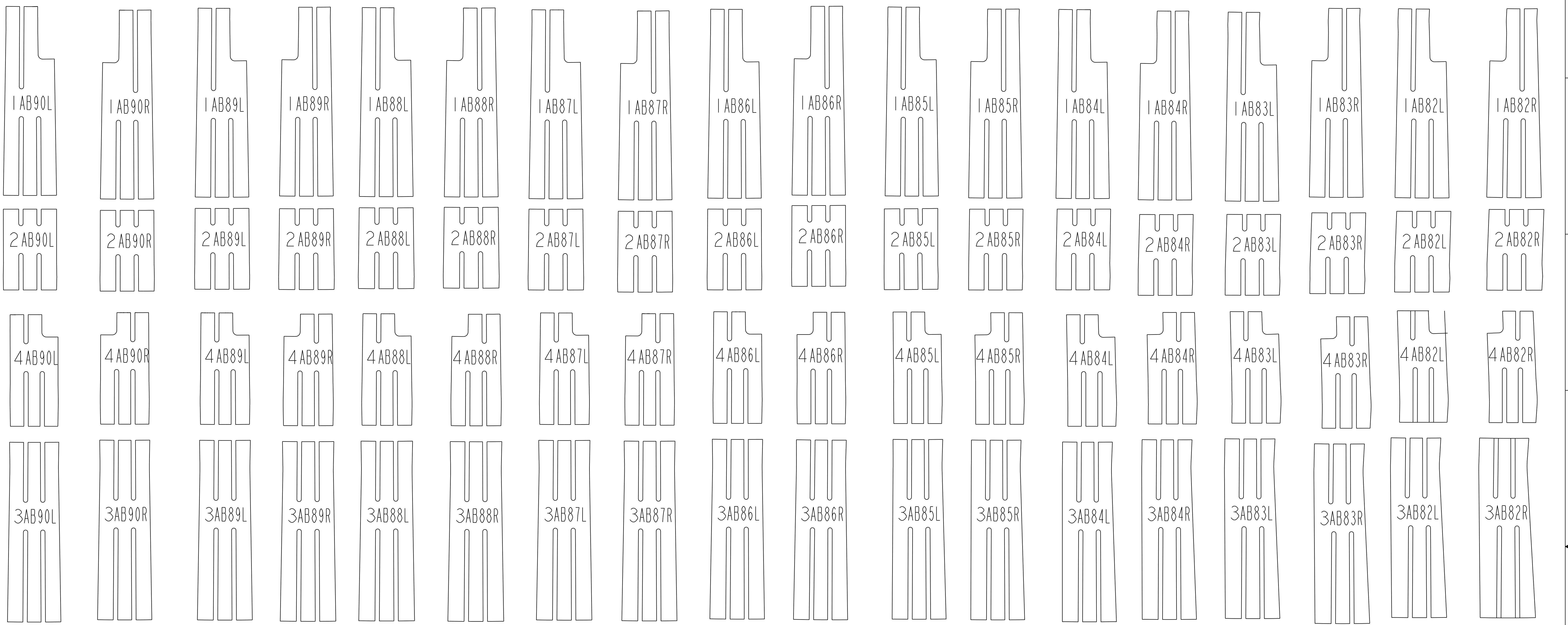
**RELEASED FOR
FABRICATION / INSTALLATION**

PPPL Drafting:

UT-BATTELLE Oak Ridge National Laboratory managed for the DEPARTMENT OF ENERGY under U.S. GOVERNMENT contract DE-AC05-00OR22725 UT-BATTELLE, LLC, Oak Ridge, Tennessee						
NATIONAL COMPACT STELLARATOR EXPERIMENT MODULAR COIL TYPE-A SIDE-B CLADDING AND CHILL PLATES FLAT PATTERN LAYOUT						
VERSION NO.	PLANT	BLDG	FL	SHT OF	TYPE	CLASS
8	X-10	5700	3	10	12 S	U
RELEASE LEVEL		SE142A-242		REV		0
Fabrication						

SE142A-242

A

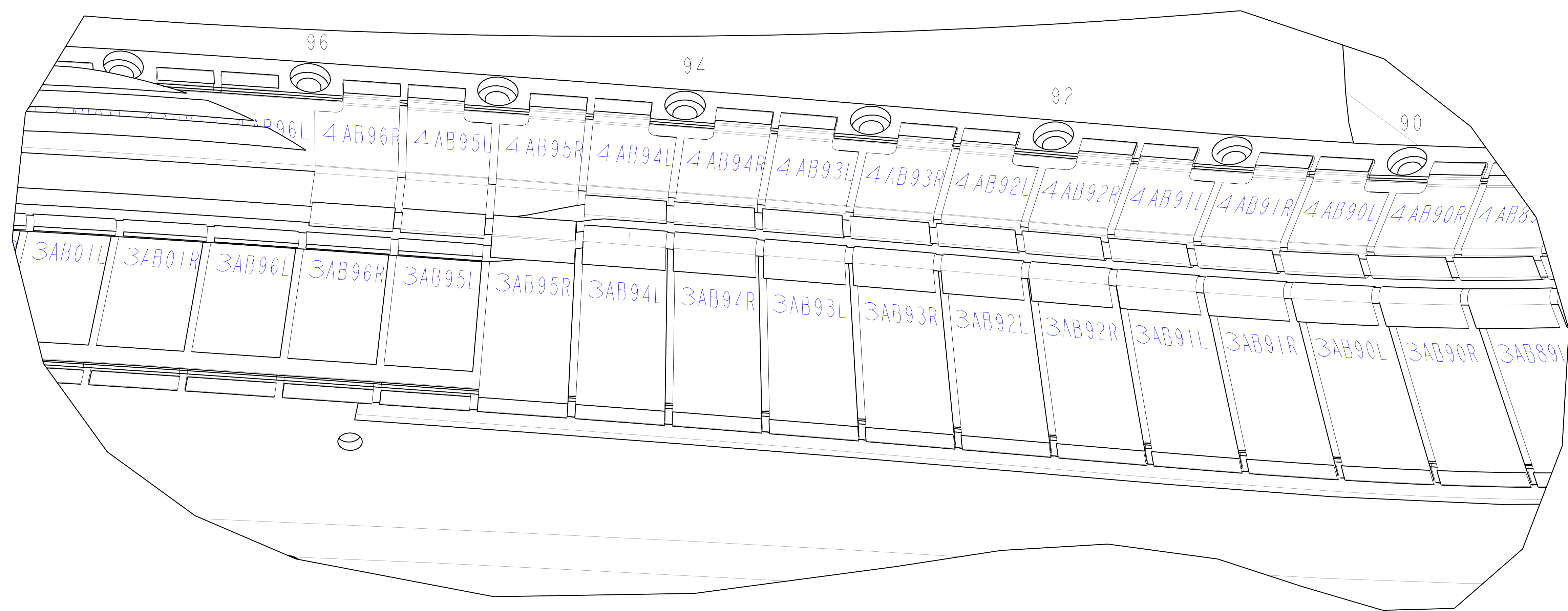
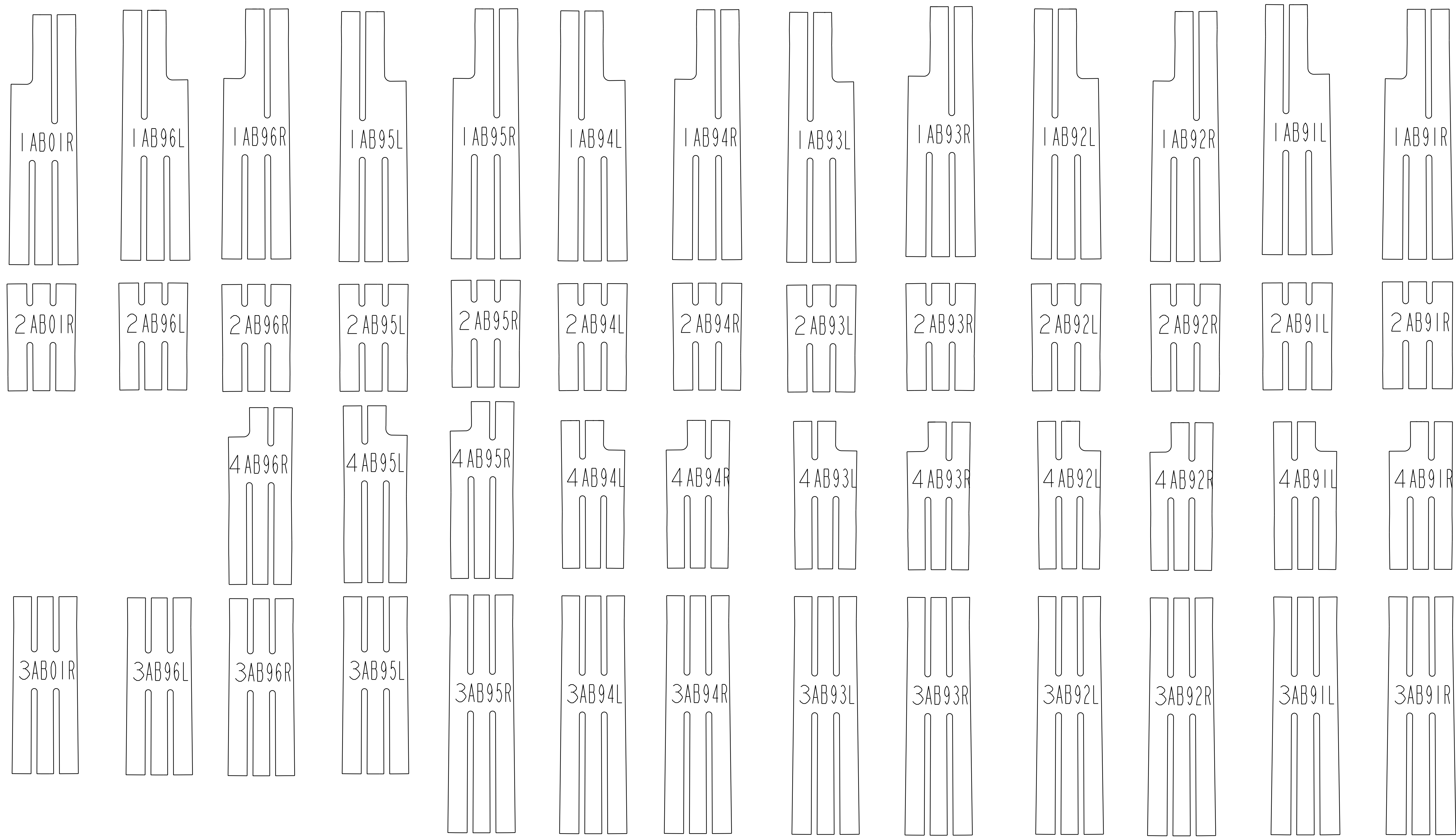


PICTORIAL VIEW
 SCALE 1.00

**RELEASED FOR
 FABRICATION / INSTALLATION**
 PPPL Drafting:

Oak Ridge National Laboratory managed for the DEPARTMENT OF ENERGY under U.S. GOVERNMENT contract DE-AC05-00OR22725 UT-BATTELLE, LLC, Oak Ridge, Tennessee							
UT-BATTELLE							
NATIONAL COMPACT STELLARATOR EXPERIMENT MODULAR COIL TYPE-A SIDE-B CLADDING AND CHILL PLATES FLAT PATTERN LAYOUT							
VERSION NO.	PLANT	BLDG	FL	SHT	OF	TYPE	CLASS
8	X-10	5700	3	11	12	S	U
RELEASE LEVEL		REV					
Fabrication		SE142A-242 0					

SE142A-242



PICTORIAL VIEW
 SCALE 1.00

**RELEASED FOR
 FABRICATION / INSTALLATION**
 PPPL Drafting:

Oak Ridge National Laboratory managed for the DEPARTMENT OF ENERGY under U.S. GOVERNMENT contract DE-AC05-00OR22725 UT-BATTELLE, LLC, Oak Ridge, Tennessee <small>PROJECT NAME</small>						
UT-BATTELLE NATIONAL COMPACT STELLARATOR EXPERIMENT MODULAR COIL TYPE-A SIDE-B CLADDING AND CHILL PLATES FLAT PATTERN LAYOUT						
VERSION NO.	PLANT	BLDG	FL	SHT OF	TYPE	CLASS
8	X-10	5700	3	12	12 S	U
RELEASE LEVEL		SE142A-242				
Fabrication		REV 0				

SE142A-242