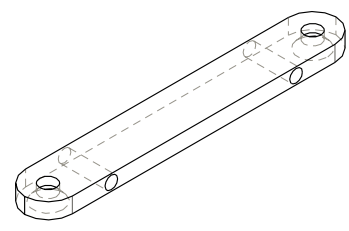
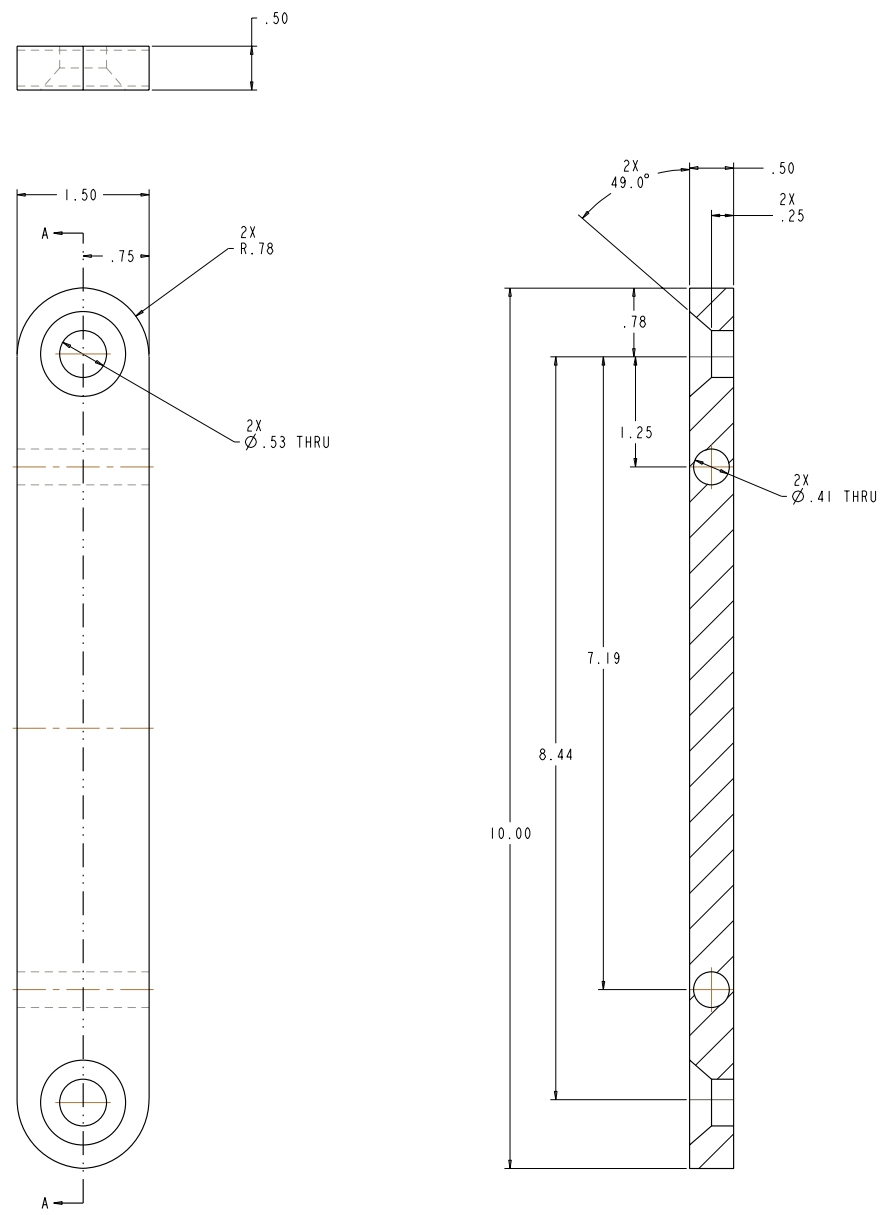


- NOTES:
1. INTERPRET DIMENSIONS AND TOLERANCES PER ANSI Y14.5M
  2. DIMENSIONS ARE IN INCHES
  3. DIMENSIONS APPLY AT ROOM TEMPERATURE. OPERATING TEMP 80 K.
  4. GEOMETRY IS DEFINED IN PRO ENGINEER CAD MODELS/FILES SEI42-174.PRT
  5. DRAWING AND MODELS COMBINED DEFINE FINISHED MACHINED PART.



ISOMETRIC VIEW  
 SCALE 1.000

REV	CAGE CODE	PART OR IDENTIFYING NO	SIDEBAR NOMENCLATURE OR DESCRIPTION	MATERIAL	SPECIFICATION	FIND NO
SEI42-174			ASSEMBLY			

SECTION A-A

1  
 SCALE 2.00

REV	DESCRIPTION	BY	DATE	CHK	DEPT	DATE	PE	REQ	DATE	ORNL	DOE	DATE

SCALE NOTED	DES P J FOGARTY	8-95
TOLERANCES UNLESS OTHERWISE SPECIFIED	CHK G LOVETT	8-95
FRACTIONS	DRYF	8-95
XX DECIMALS	PE D WILLIAMS	8-95
XXX DECIMALS	CE	8-95
ANGLES	80719	FZ
BREAK SHARP EDGES ON MAX	REQ	8-95
FINISH	PPPL DRFT J SIEGLE	8-95

<b>UT-BATTELLE</b>		Oak Ridge National Laboratory	
U.S. GOVERNMENT CONTRACT NO. 4040-1-88-0000		ORNL-4040-1-88-0000	
PROJECT		NATIONAL COMPACT STELLARATOR EXPERIMENT	
FIXTURE		ALIGNMENT SIDEBAR	
VERSION NO.	PLANT	BUILD	FL SHFT OF TYPE CLASS
1	K-10	8700	3 1 1 S U
RELEASE LEVEL	WIP	SEI42-174	

NO REPRESENTATION OR WARRANTY, EXPRESSED OR IMPLIED, IS MADE AS TO THE ACCURACY, COMPLETENESS OR TOLERANCES OF THE INFORMATION OR STATEMENTS CONTAINED IN THESE DRAWINGS, OR THE USE OR SUITABILITY OF ANY INFORMATION DERIVED THEREFROM. THE USER ASSUMES ALL LIABILITY FOR THE USE OF ANY INFORMATION DERIVED FROM THESE DRAWINGS. THE USER ASSUMES ALL LIABILITY FOR THE USE OF ANY INFORMATION DERIVED FROM THESE DRAWINGS. THE USER ASSUMES ALL LIABILITY FOR THE USE OF ANY INFORMATION DERIVED FROM THESE DRAWINGS.

**P** THIS DRAWING PRODUCED ON PRO-ENGINEER