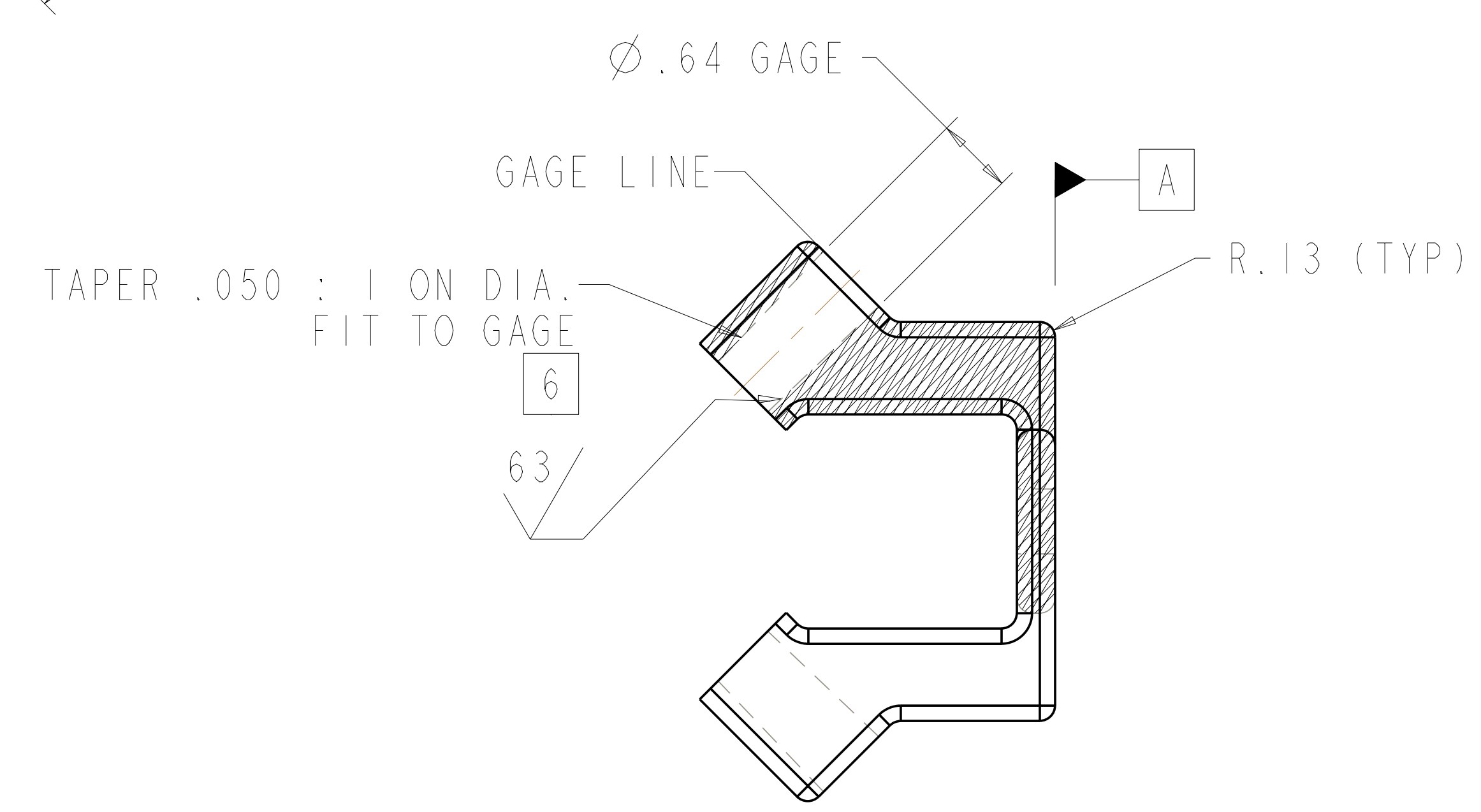
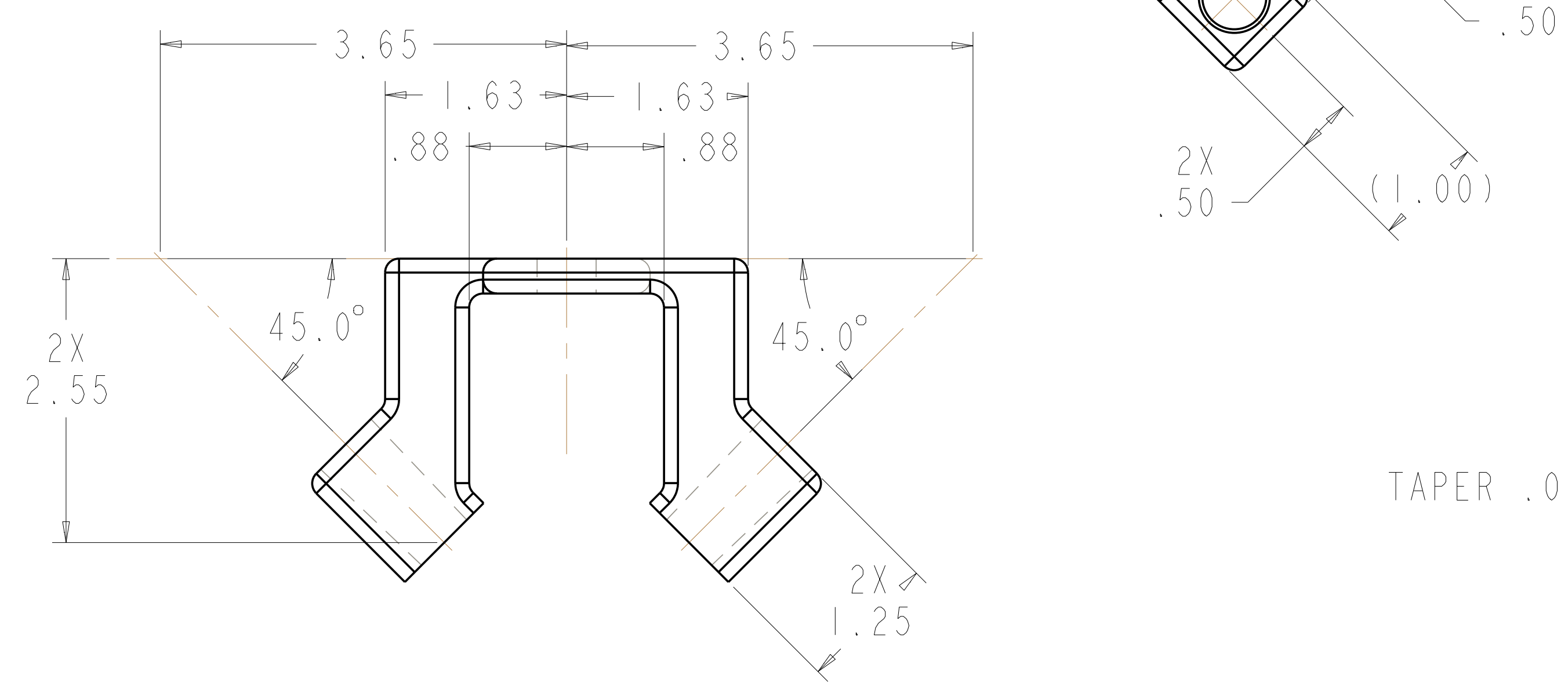
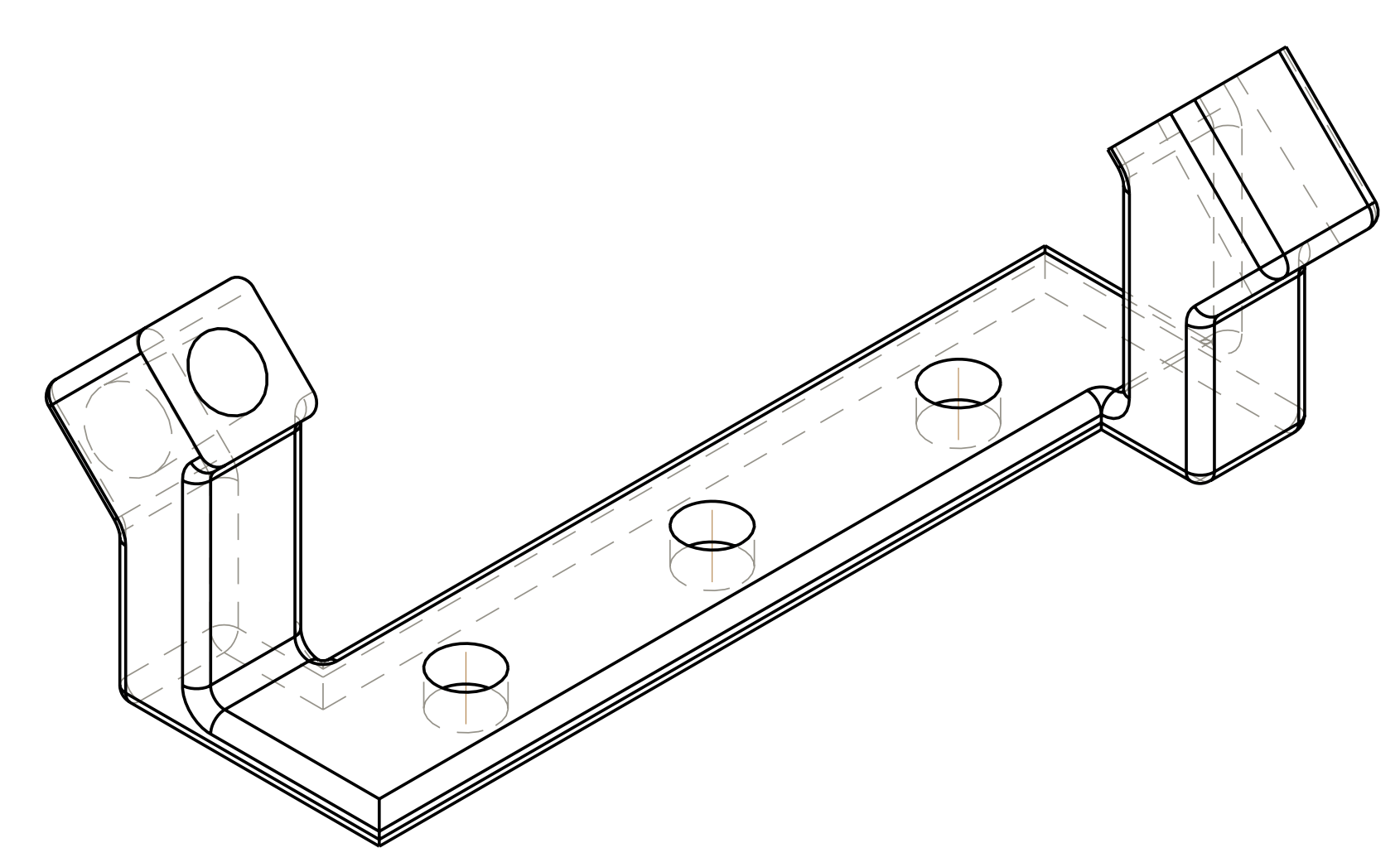
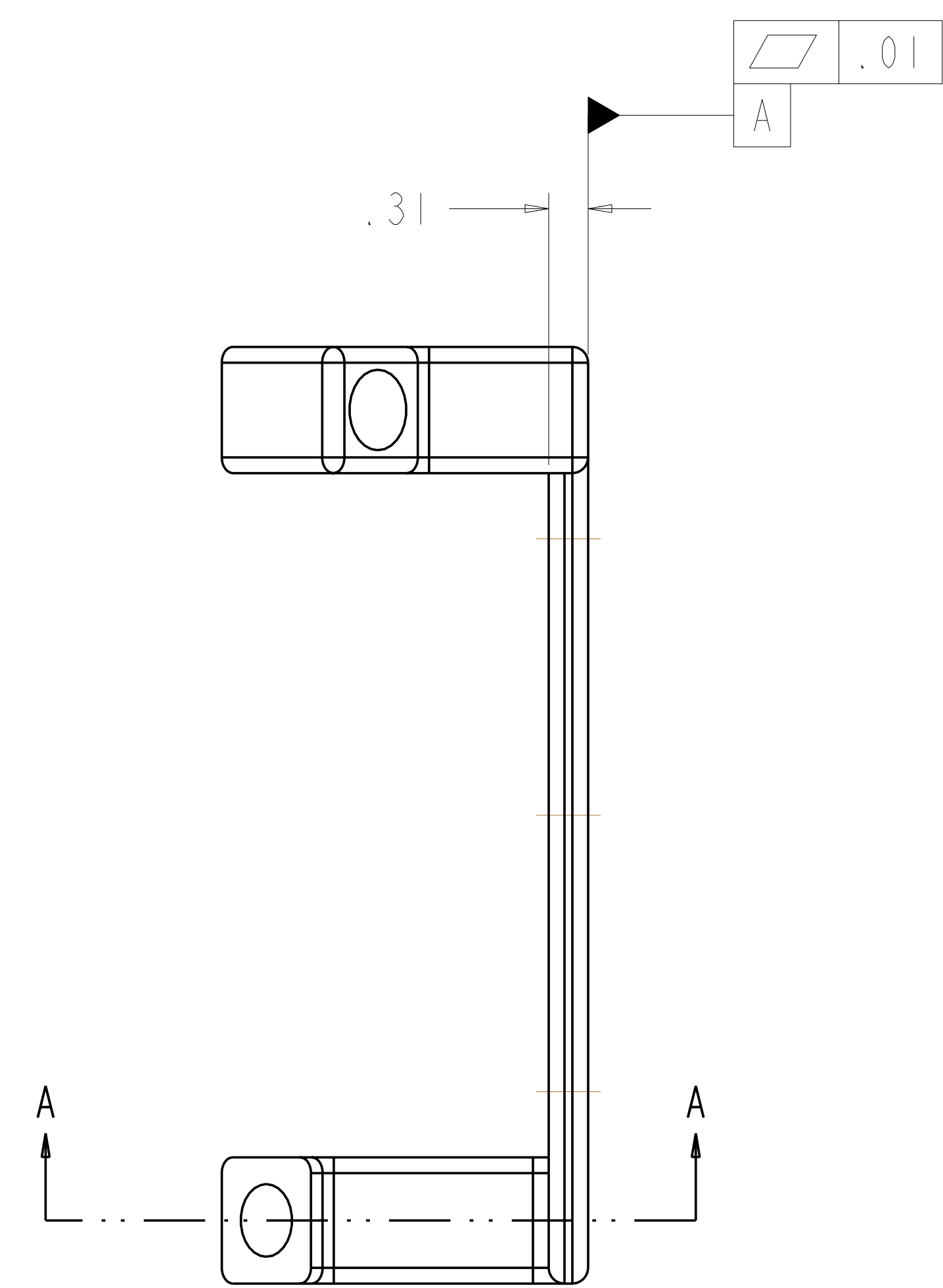
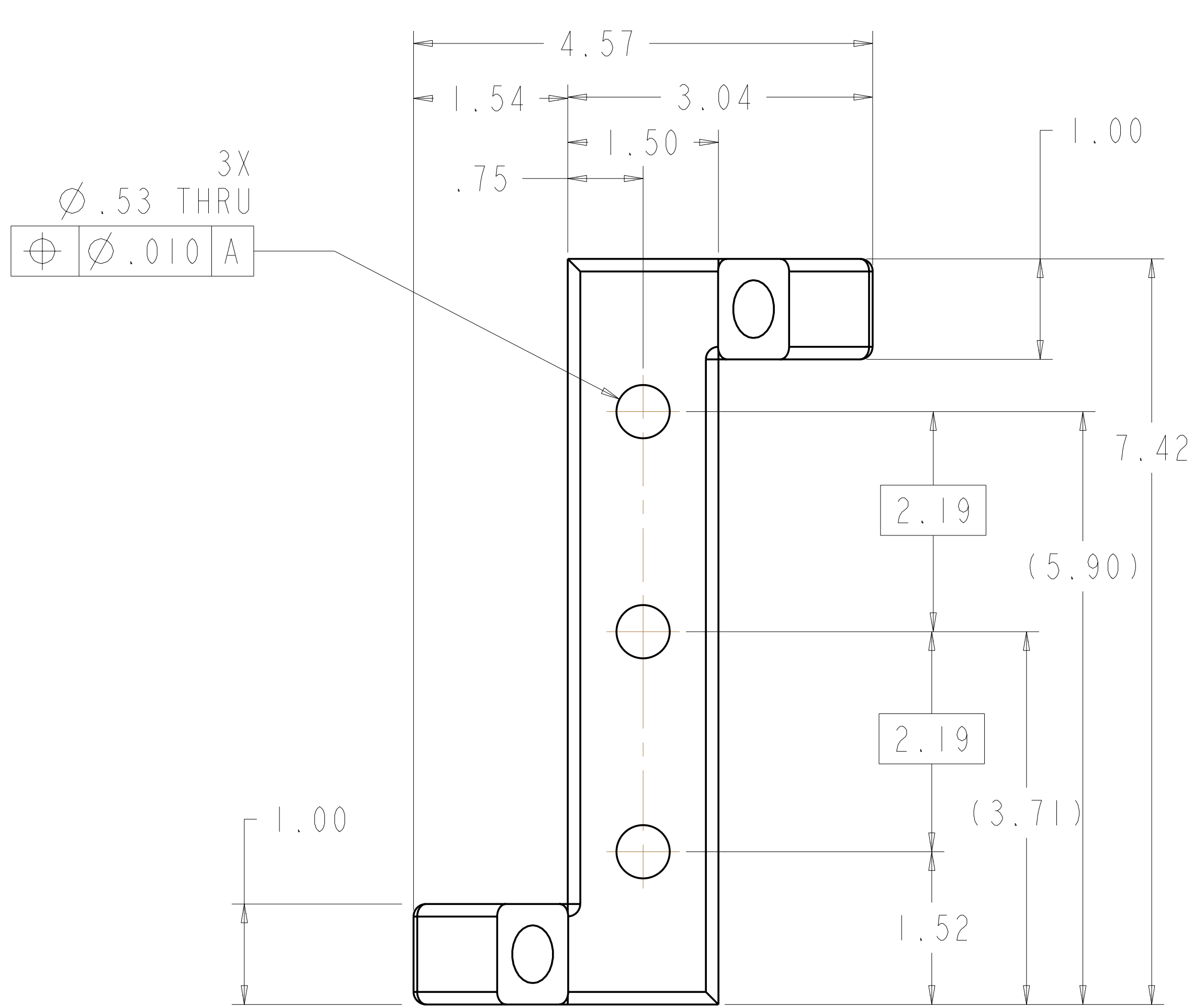


- NOTES:
1. INTERPRET DIMENSIONS AND TOLERANCES PER ANSI Y14.5M
 2. DIMENSIONS ARE IN INCHES
 3. DIMENSIONS APPLY AT ROOM TEMPERATURE. OPERATING TEMP 80 K.
 4. GEOMETRY IS DEFINED IN PRO ENGINEER CAD MODELS/FILES SEI42C-051.PRT
 5. DRAWING AND MODELS COMBINED DEFINE FINISHED MACHINED PART.
 - 6 SILVER PLATE 10 MICRON THK PER ASTM B700 TYPE I, GRADE C, CLASS S. APPLY NICKEL INTERMEDIATE LAYER >1 MICRON THICK IMMEDIATELY AFTER CLEANING BASE METAL AND BEFORE ELECTROPLATE.



RELEASED FOR FABRICATION / INSTALLATION
 PPPL Drafting:



REV	DESCRIPTION	BY	DATE	CHK	DEPT	DATE	PE	REQ	DATE	DRNL	DOE	DATE
0	INITIAL RELEASE	GLL	8-08	MJC			DEW					
REVISION OR ISSUE PURPOSE REVISION APPROVAL												

next assy	AR	CAGE CODE	PART OR IDENTIFYING NO	NOMENCLATURE OR DESCRIPTION	MATERIAL / SPECIFICATION	FIND NO
SEI42C-051	-1		TERMINAL JUMPER	OFHC COPPER (UNS C10200)		
			NEXT ASSEMBLY			

SCALE NOTED		DES	DATE	DRW	DATE	CHK	DATE	SECT	DATE	DEPT	DATE	PE	DATE	CR	DATE	PJ	DATE	REO	DATE	PPPL DRFT	DATE	VERSION NO.	PLANT	BLDG	FL	SHT OF	TYPE	CLASS	
		P FOGARTY	05/05	G LOVETT	05/05	M COLE	05/05					D WILLIAMSON	05/05							J SIEGEL	05/05	18	X-10	5700	3	1	1	S	U
		UT-BATTELLE NATIONAL COMPACT STELLARATOR EXPERIMENT MODULAR COIL TYPE-C TERMINAL JUMPER #1 DETAIL																											
		Oak Ridge National Laboratory managed for the DEPARTMENT OF ENERGY under U.S. GOVERNMENT contract DE-AC05-00OR22725 UT-BATTELLE, LLC., Oak Ridge, Tennessee																											
		RELEASE LEVEL Fabrication																											
		SEI42C-051																											

NO REPRESENTATION OR WARRANTY, EXPRESSED OR IMPLIED, IS MADE AS TO THE ACCURACY, COMPLETENESS OR USEFULNESS OF THE INFORMATION OR STATEMENTS CONTAINED IN THESE DRAWINGS, OR THAT THE USE OR DISCLOSURE OF ANY INFORMATION, APPARATUS, METHOD OR PROCESS DISCLOSED IN THESE DRAWINGS MAY NOT INFRINGE PRIVATE RIGHTS OF OTHERS. NO LIABILITY IS ASSUMED WITH RESPECT TO THE USE OF, OR FOR DAMAGES RESULTING FROM THE USE OF, ANY INFORMATION, APPARATUS, METHOD OR PROCESS DISCLOSED IN THESE DRAWINGS. DRAWINGS MADE AVAILABLE FOR INFORMATION TO BIDDER ARE NOT TO BE USED FOR OTHER PURPOSES, AND ARE TO BE RETURNED UPON REQUEST OF THE FORWARDING CONTRACTOR.

P THIS DRAWING PRODUCED ON PRO-ENGINEER

SCALE 1 : 1

H G F E D C B A