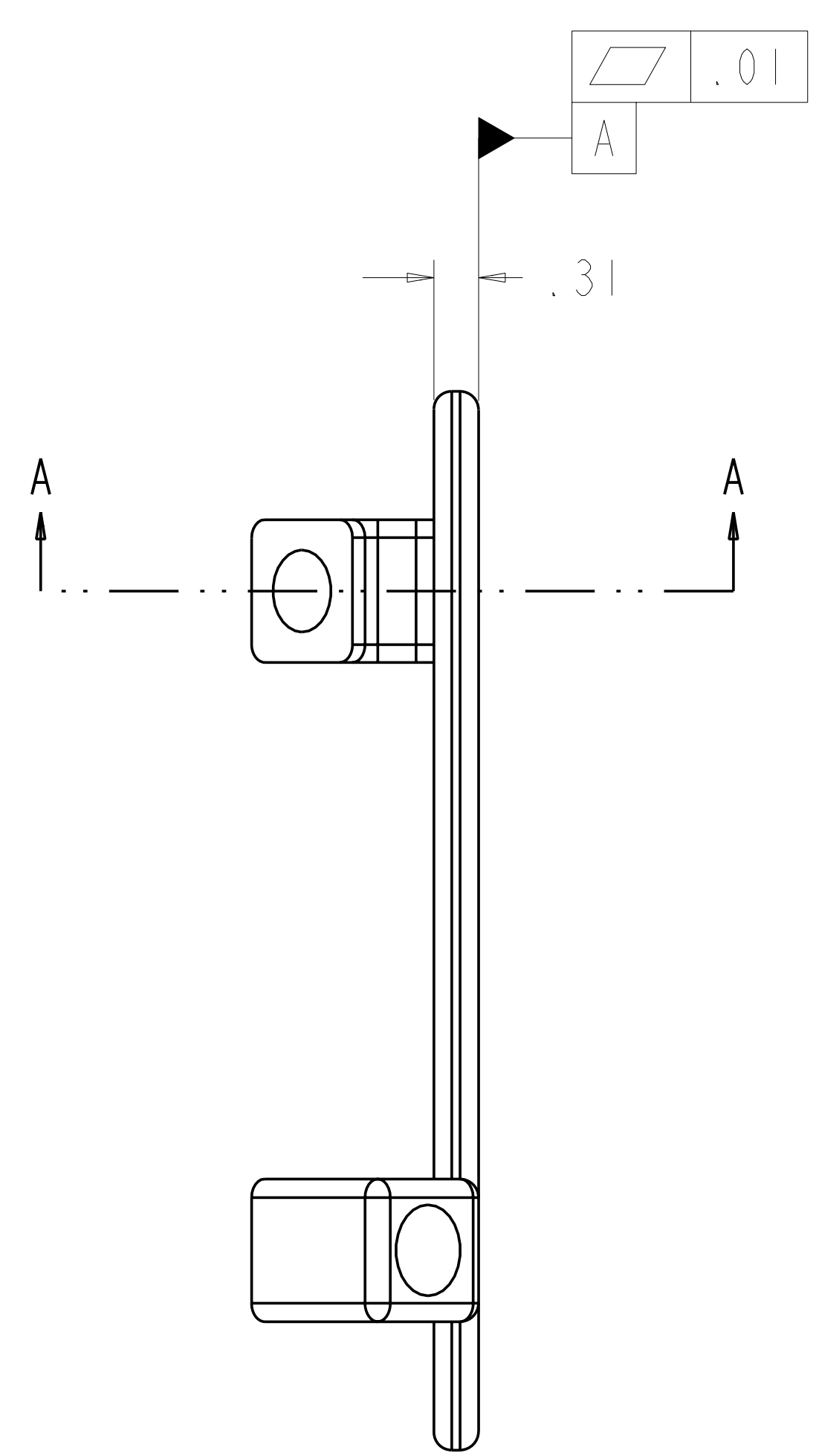
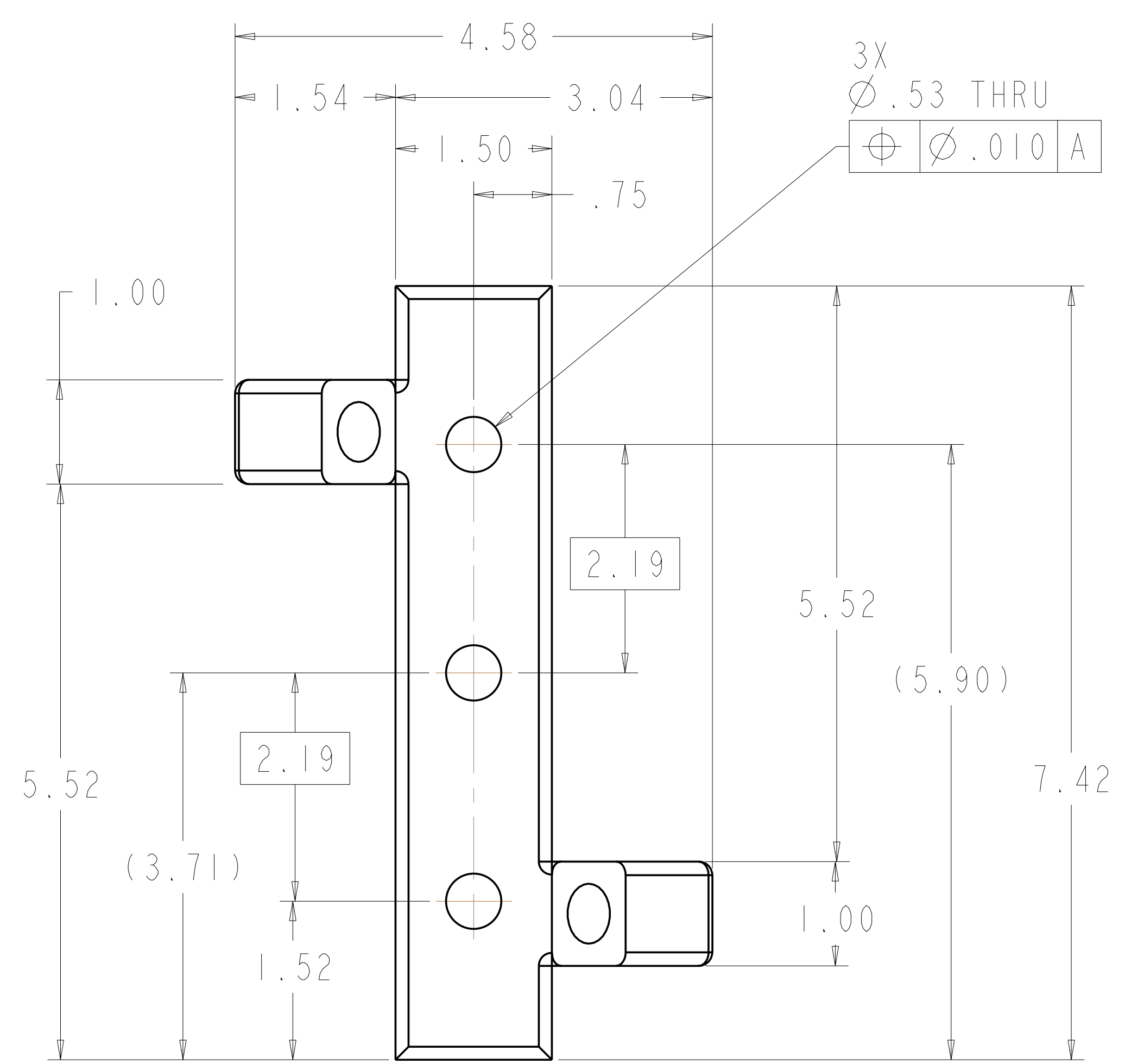
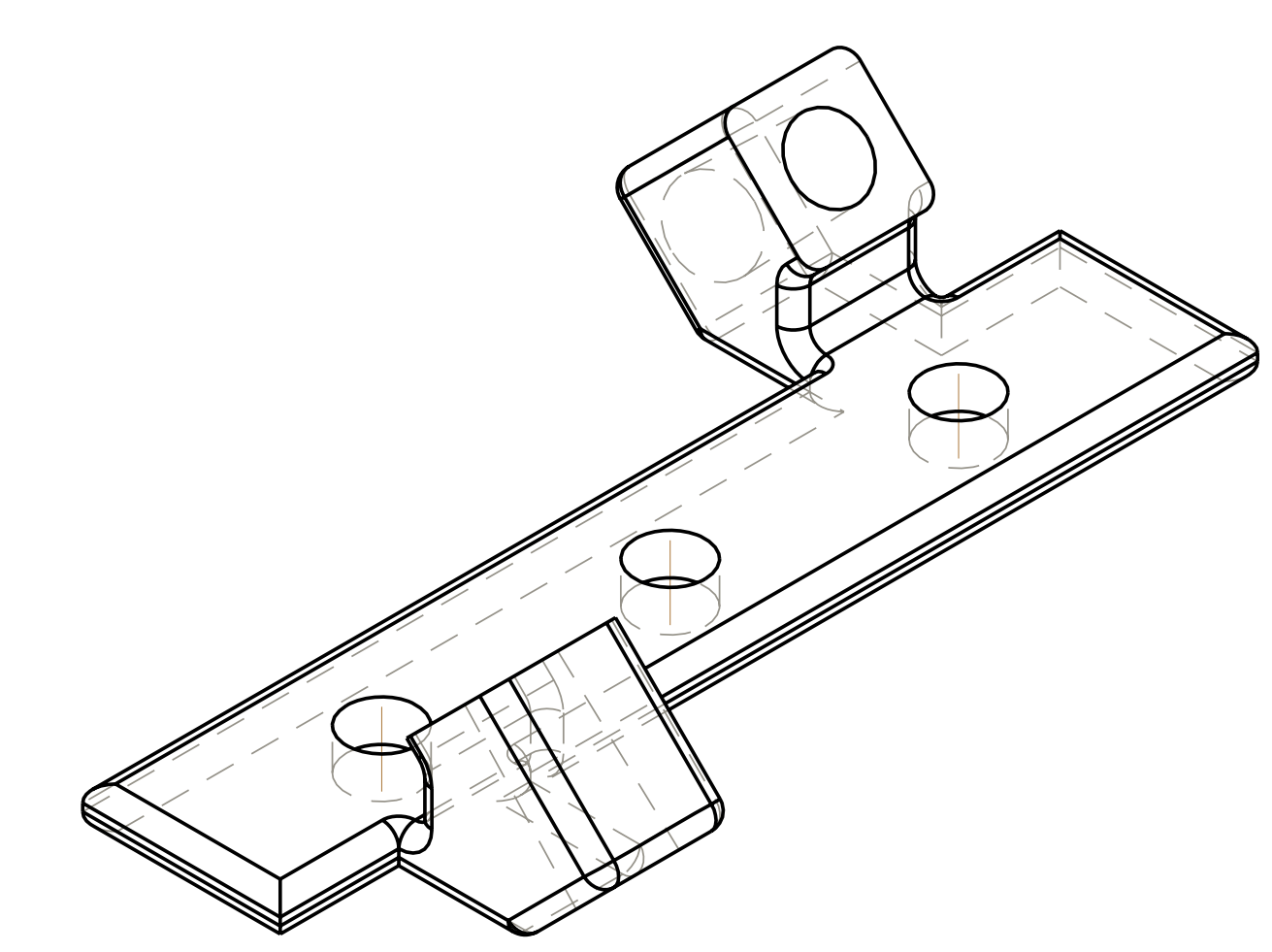


SECTION A-A



RELEASED FOR FABRICATION / INSTALLATION
 PPPL Drafting:



ISOMETRIC VIEW

next assy	AR	-1	TERMINAL JUMPER	OFHC COPPER (UNS C10200)	I
SEI42C-054	CAGE CODE	PART OR IDENTIFYING NO	NOMENCLATURE OR DESCRIPTION	MATERIAL / SPECIFICATION	FIND NO
		NEXT ASSEMBLY			

PARTS LIST

SCALE 1 : 1

REV	DESCRIPTION	BY	DATE	CHK	DEPT	DATE	PE	REG	DATE	ORNL	DOE	DATE
0	INITIAL RELEASE	GLL	8-05	MJC			DEW					
	REVISION OR ISSUE PURPOSE											

SCALE NOTED		DES	DATE
TOLERANCES UNLESS OTHERWISE SPECIFIED		P FOGARTY	05/05
FRACTIONS		G LOVETT	05/05
XX DECIMALS	± .01	M COLE	05/05
XXX DECIMALS	± .005		
ANGLES	± 0'15"	D WILLIAMSON	05/05
FINISH	± .025 UNLESS OTHERWISE SPECIFIED		

UT-BATTELLE		Oak Ridge National Laboratory managed for the DEPARTMENT OF ENERGY under U.S. GOVERNMENT contract DE-AC05-00OR22725 UT-BATTELLE, LLC, Oak Ridge, Tennessee	
NATIONAL COMPACT STELLARATOR EXPERIMENT			
MODULAR COIL TYPE-C TERMINAL JUMPER #4			
DETAIL			
VERSION NO.	PLANT	BLDG	FL
16	X-10	5700	3
RELEASE LEVEL		SHT OF	TYPE
Fabrication		1	S
		REV	CLASS
		0	U

NO REPRESENTATION OR WARRANTY, EXPRESSED OR IMPLIED, IS MADE AS TO THE ACCURACY, COMPLETENESS OR USEFULNESS OF THE INFORMATION OR STATEMENTS CONTAINED IN THESE DRAWINGS, OR THAT THE USE OR DISCLOSURE OF ANY INFORMATION, APPARATUS, METHOD OR PROCESS DISCLOSED IN THESE DRAWINGS MAY NOT INFRINGE PRIVATE RIGHTS OF OTHERS. NO LIABILITY IS ASSUMED WITH RESPECT TO THE USE OF, OR FOR DAMAGES RESULTING FROM THE USE OF, ANY INFORMATION, APPARATUS, METHOD OR PROCESS DISCLOSED IN THESE DRAWINGS. DRAWINGS MADE AVAILABLE FOR INFORMATION TO BIDDER ARE NOT TO BE USED FOR OTHER PURPOSES, AND ARE TO BE RETURNED UPON REQUEST OF THE FORWARDING CONTRACTOR.

P THIS DRAWING PRODUCED ON PRO-ENGINEER

H
G
F
E
D
C
B
A

SEI42C-054