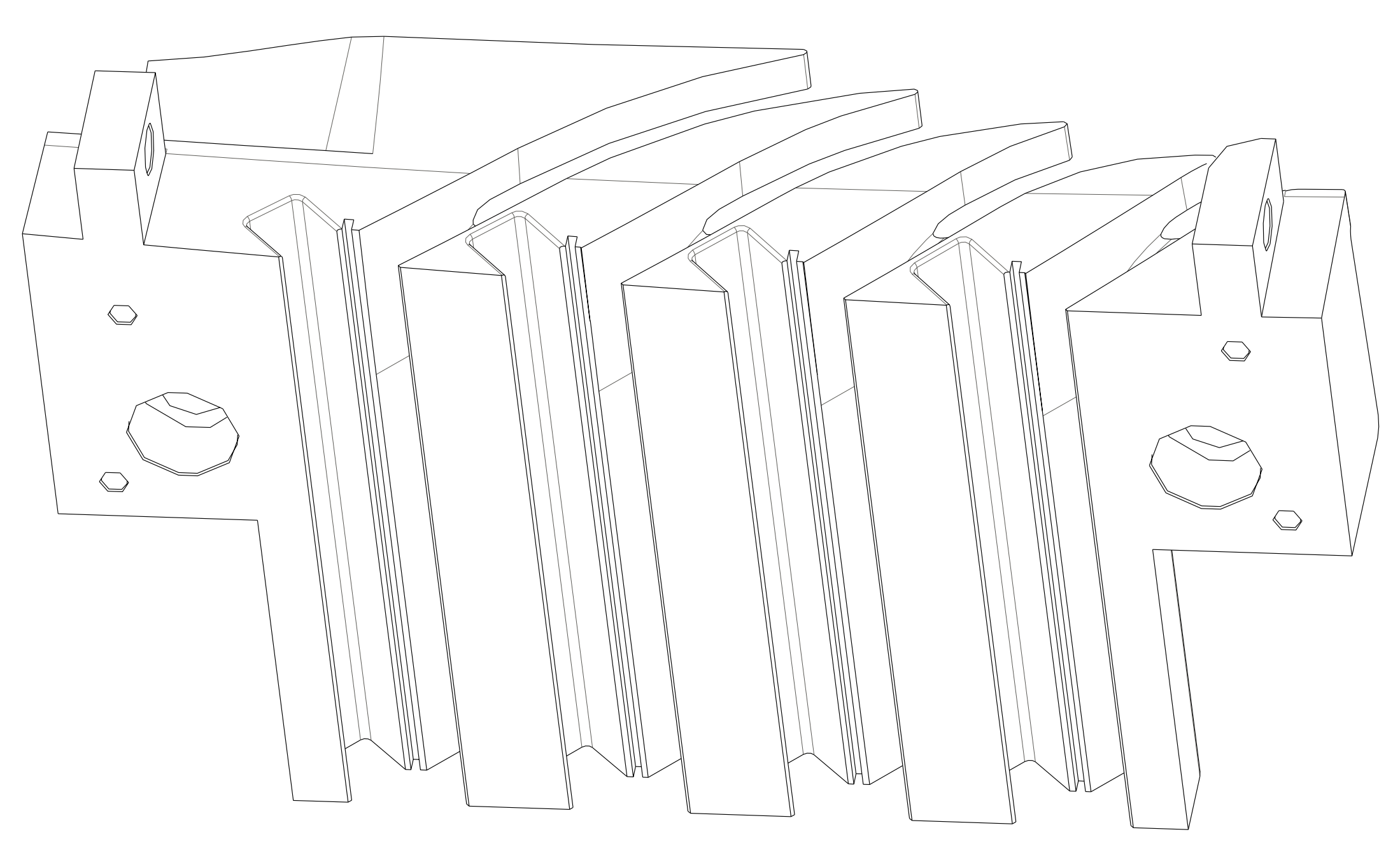
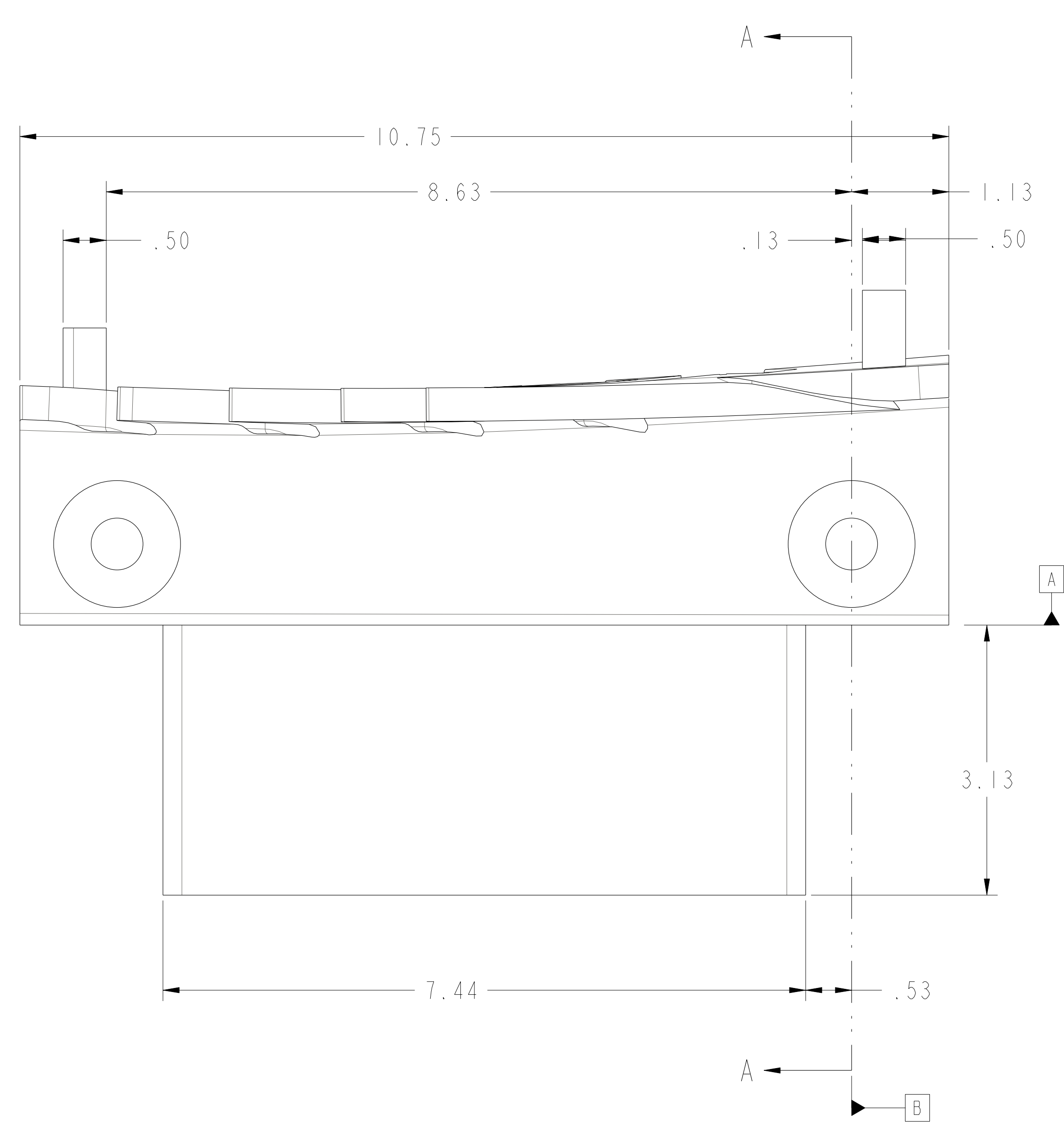
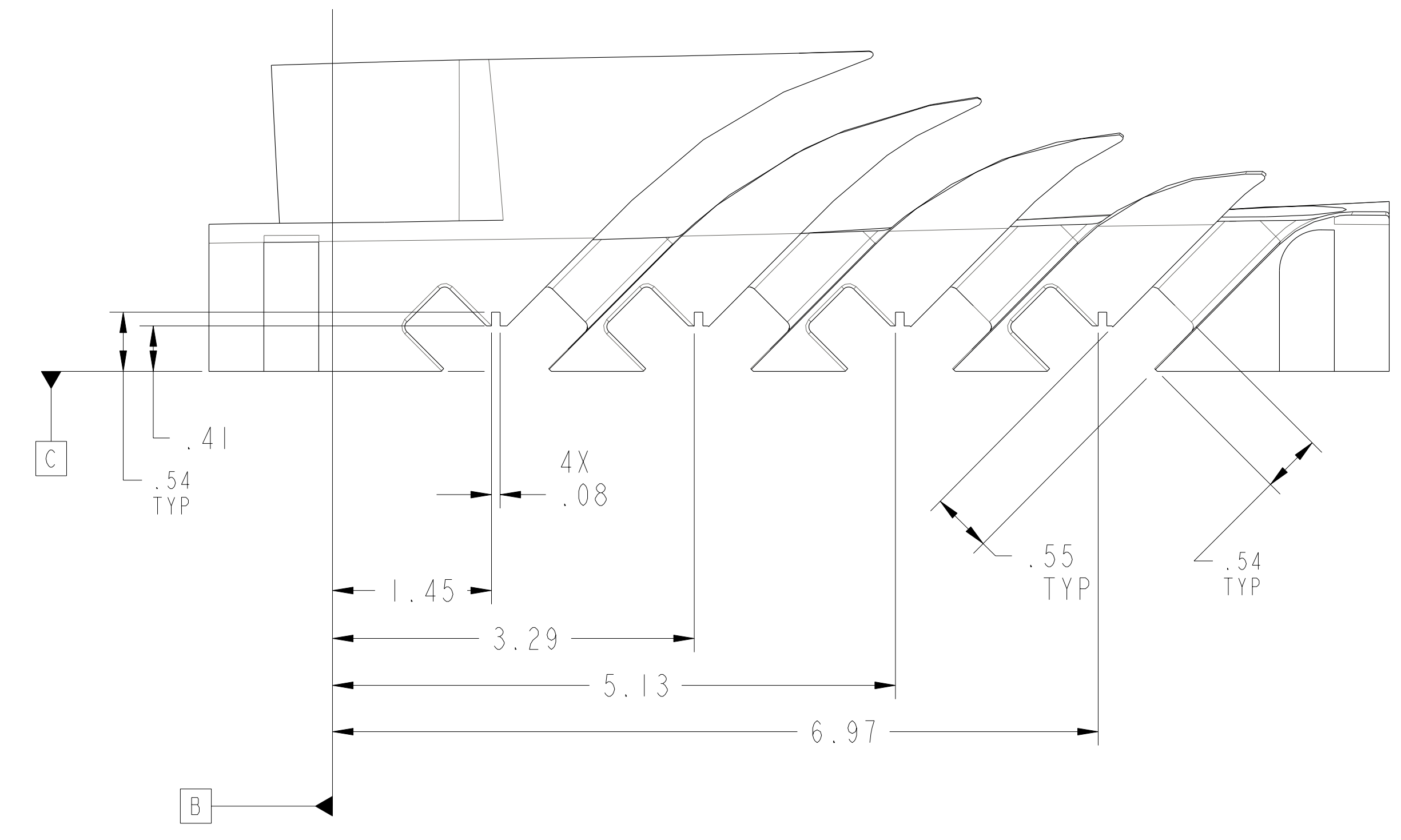


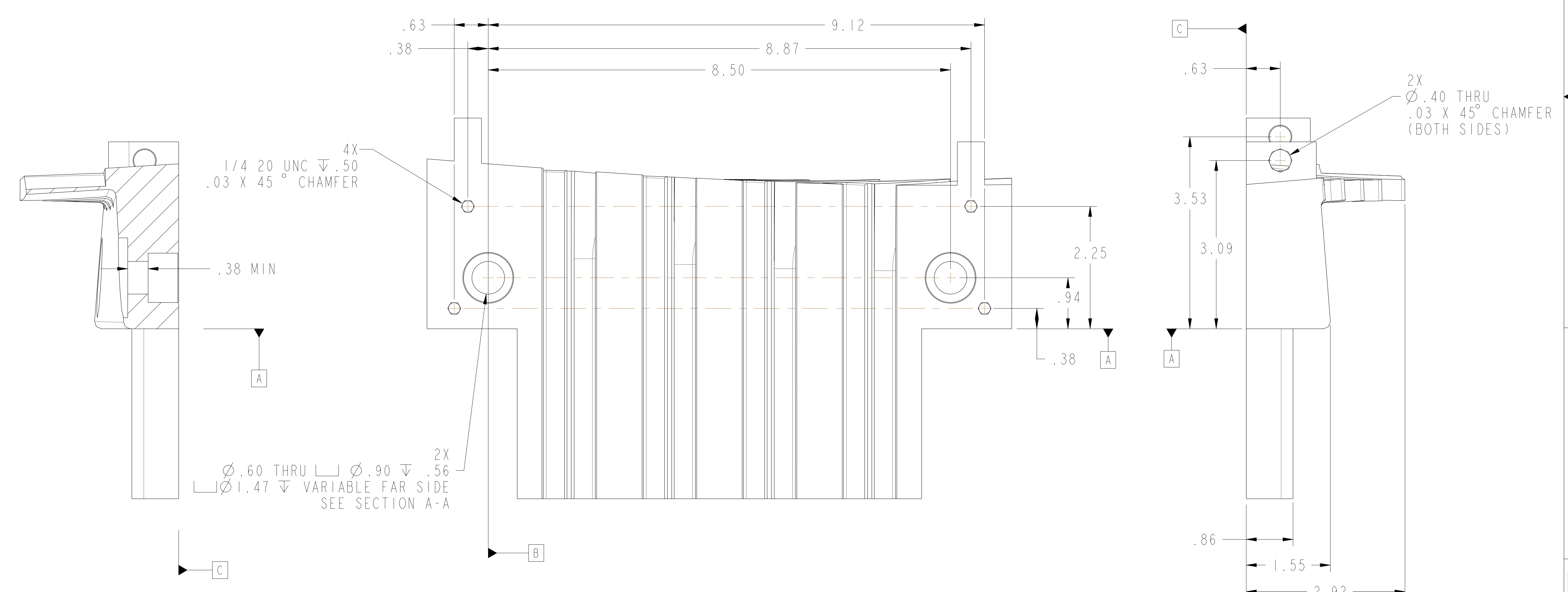
- NOTES:
1. INTERPRET DIMENSIONS AND TOLERANCES PER ANSI Y14.5M
 2. DIMENSIONS ARE IN INCHES
 3. DIMENSIONS APPLY AT ROOM TEMPERATURE. OPERATING TEMP 80 K.
 4. GEOMETRY IS DEFINED IN PRO ENGINEER CAD MODELS/FILES SEI406-135.PRT
 5. DRAWING AND MODELS COMBINED DEFINE FINISHED MACHINED PART.
 6. TOLERANCE X.XXX DIMENSIONS +/- .010



ISOMETRIC VIEW



SCALE 1 : 1



SECTION A-A

next assy	1	-1			
SEI42C-132	CAGE CODE	PART OR IDENTIFYING NO	SIDE-B LOWER LEAD BLOCK	NEMA GRADE G-IICR	FIND NO
			NOMENCLATURE OR DESCRIPTION	MATERIAL / SPECIFICATION	
			NEXT ASSEMBLY	PARTS LIST	

NO REPRESENTATION OR WARRANTY, EXPRESSED OR IMPLIED, IS MADE AS TO THE ACCURACY, COMPLETENESS OR USEFULNESS OF THE INFORMATION OR STATEMENTS CONTAINED IN THESE DRAWINGS, OR THAT THE USE OR DISCLOSURE OF ANY INFORMATION, APPARATUS, METHOD OR PROCESS DISCLOSED IN THESE DRAWINGS MAY NOT INFRINGE PRIVATE RIGHTS OF OTHERS. NO LIABILITY IS ASSUMED WITH RESPECT TO THE USE OF, OR FOR DAMAGES RESULTING FROM THE USE OF, ANY INFORMATION, APPARATUS, METHOD OR PROCESS DISCLOSED IN THESE DRAWINGS. DRAWINGS MADE AVAILABLE FOR INFORMATION TO BIDDER ARE NOT TO BE USED FOR OTHER PURPOSES, AND ARE TO BE RETURNED UPON REQUEST OF THE FORWARDING CONTRACTOR.

P THIS DRAWING PRODUCED ON PRO-ENGINEER

REV	DESCRIPTION	BY	DATE	CHK	DEPT	DATE	PE	REQ	DATE	ORNL	DOE	DATE
0	INITIAL RELEASE	DEW	11/1									
	REVISION OR ISSUE PURPOSE											

SCALE NOTED	DES: P FOGARTY 05/05
TOLERANCES UNLESS OTHERWISE SPECIFIED	DRW: D WILLIAMSON 05/05
FRACTIONS	CHK: G LOVETT 05/05
XX DECIMALS ±.01	SECT: :
XXX DECIMALS ±.005	DEPT: :
ANGLES ±0°15'	PE: D WILLIAMSON 05/05
BREAK SHARP EDGES .06 MAX	CR: :
FINISH .125 UNLESS OTHERWISE SPECIFIED	PJ: :
	REQ: :
	PPPL DRFT J SIEGEL 05/05
	RELEASE LEVEL
	WIP
	DRAWING APPROVALS
	DATE

UT-BATTELLE		Oak Ridge National Laboratory managed for the DEPARTMENT OF ENERGY under U.S. GOVERNMENT contract DE-AC05-00OR22725 UT-BATTELLE, LLC. Oak Ridge, Tennessee	
PROJECT NAME: NATIONAL COMPACT STELLARATOR EXPERIMENT			
MODULAR COIL TYPE-C SIDE-B LOWER LEAD BLOCK COMBINED			
VERSION NO.	PLANT	BLDG	FL
4+	X-10	5700	3
SHT	OF	TYPE	CLASS
1	1	S	U
RELEASE LEVEL			REV
WIP			0
SEI42C-135			

SEI42C-135